

**lenity**  
architecture

350 Kettle Court, SE, Salem, Oregon 97301  
P: 503.599.1090 F: 503.599.0585 W: lenityarchitecture.com

**COLSON AND COLSON**  
GENERAL CONTRACTOR, INC.

2280 MCHILCHRIST STREET, SUITE 200  
SALEM, OREGON, 97302  
PHONE (503) 586-7401

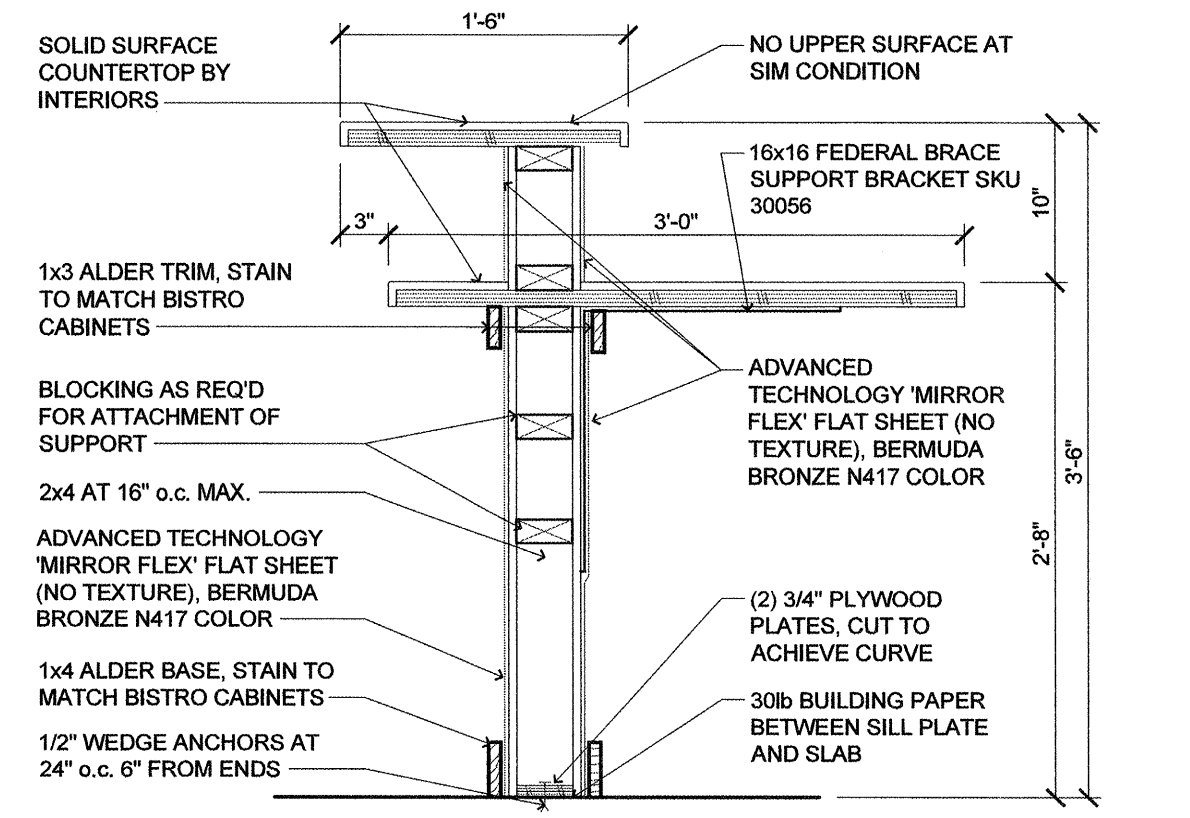
**PORTLAND**  
RETIREMENT RESIDENCE

802 OCEAN AVE. PORTLAND, MAINE 04103

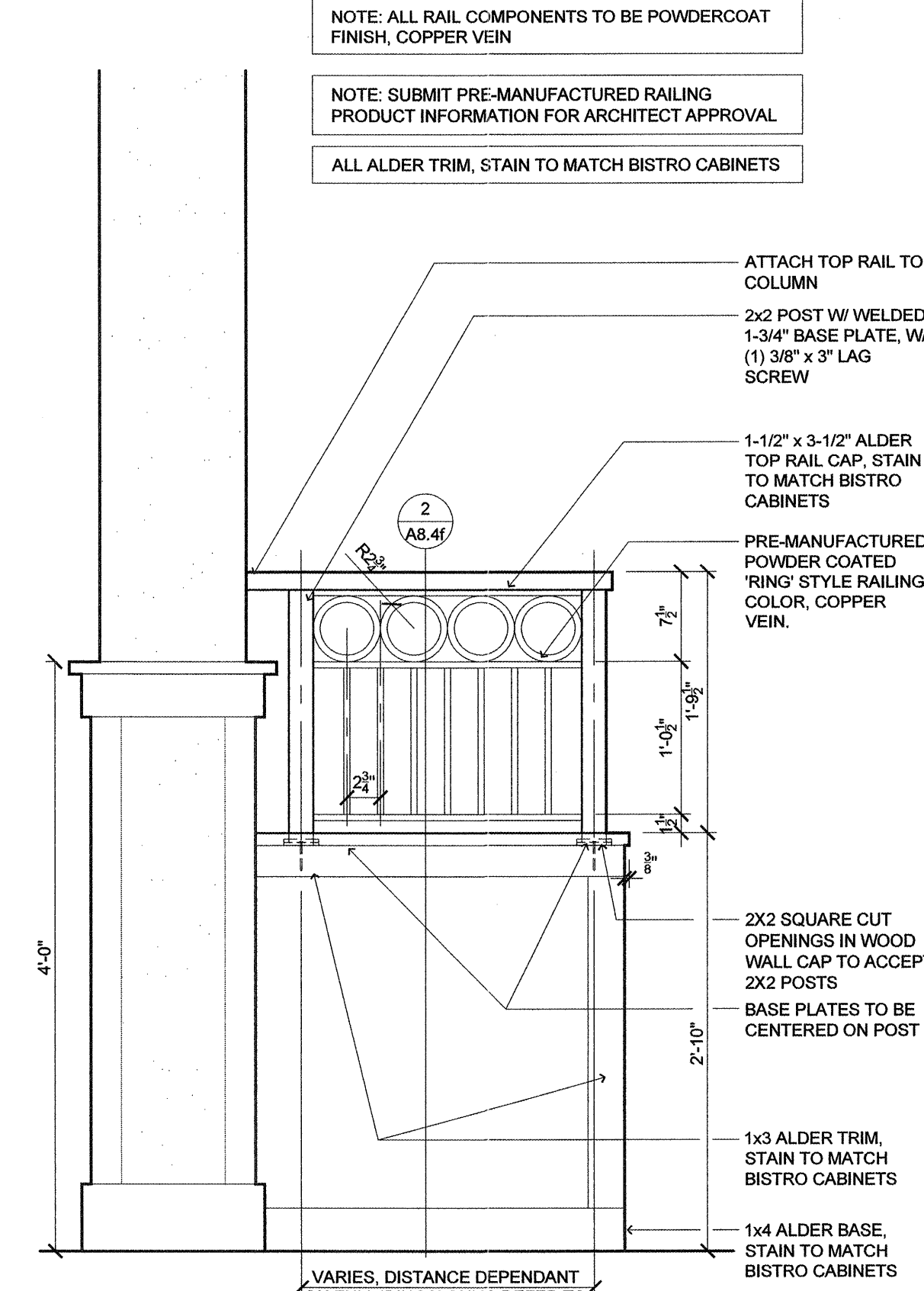
**INTERIOR**  
ELEVATIONS  
AND DETAILS

©2015 Lenity Architecture

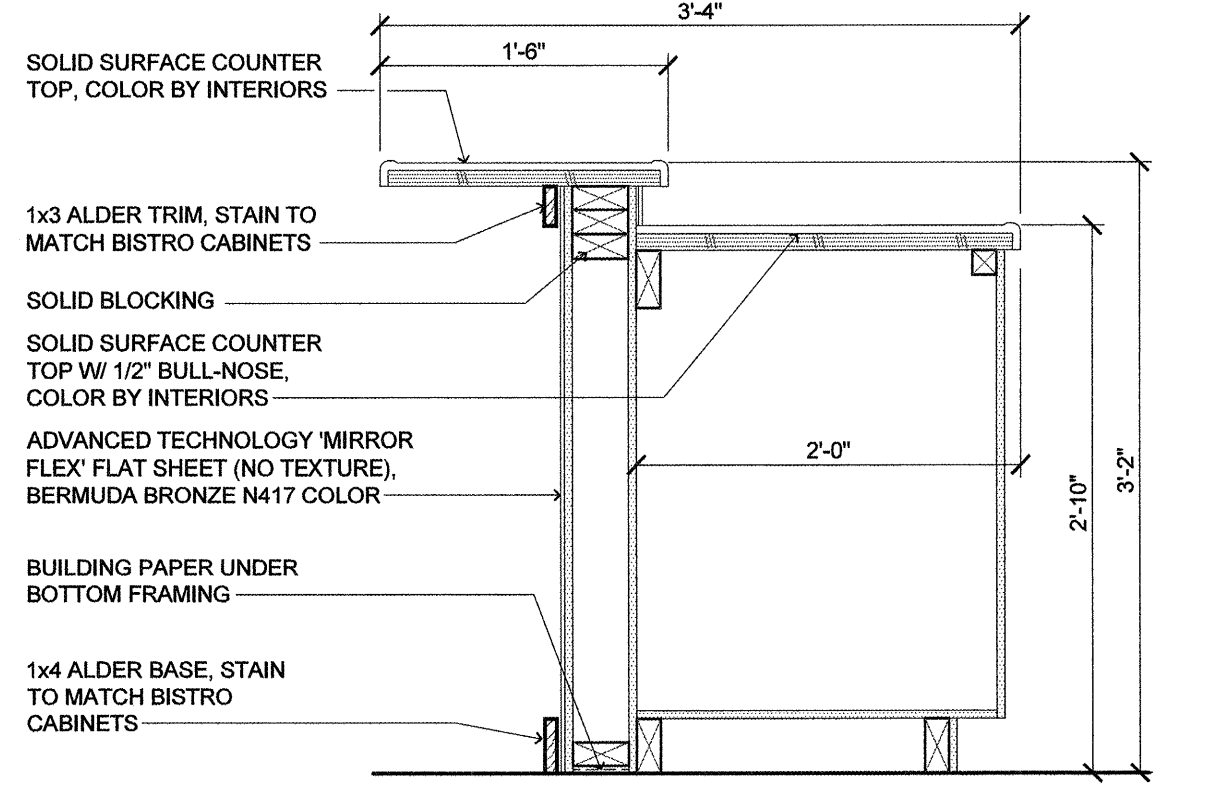
DATE	8/28/2015
REVISED DATE	9/22/2015
	2/2/2016
	5/7/18/2016
<b>SHEET</b>	<b>A8.4f</b>



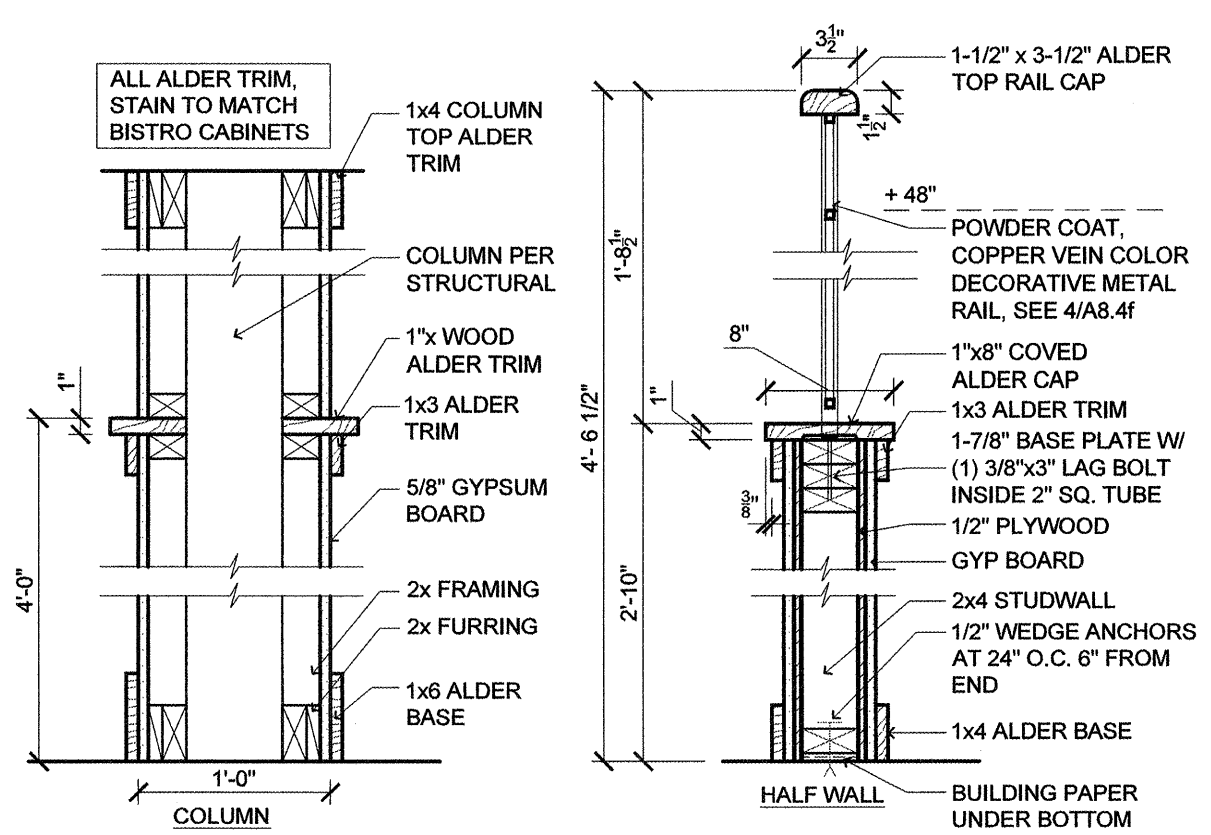
**7** COUNTER DETAIL (ACTIVITY)  
SCALE: 1" = 1'-0"  
T:12FURNISH000CASW12300609



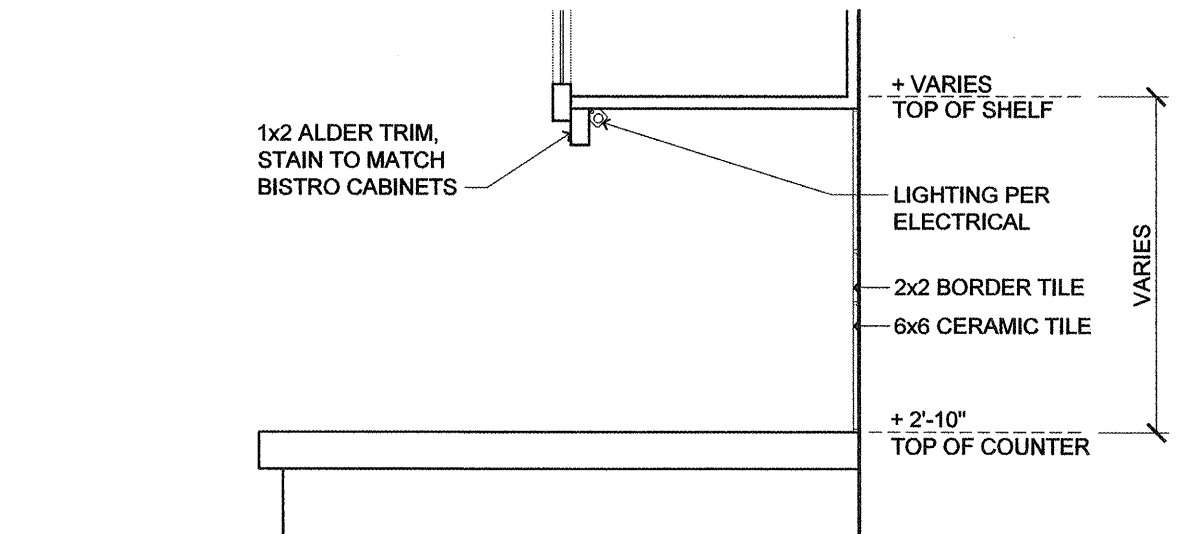
**4** INTERIOR DETAILS (BISTRO / ACTIVITY)  
SCALE: 1" = 1'-0"  
T:12FURNISH000CASW12300610



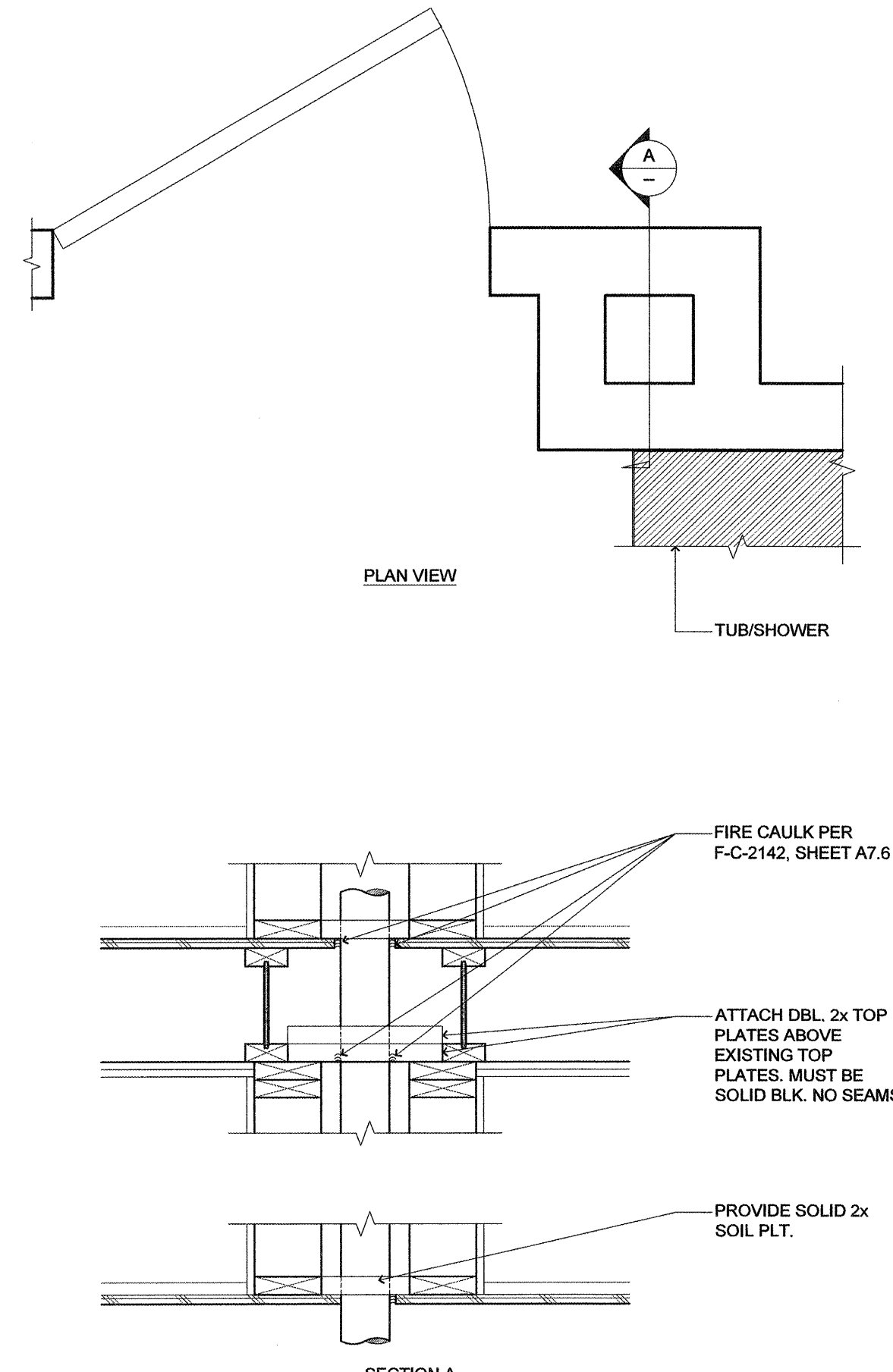
**3** COUNTER DETAIL (BISTRO)  
SCALE: 1" = 1'-0"  
T:12FURNISH000CASW12300608



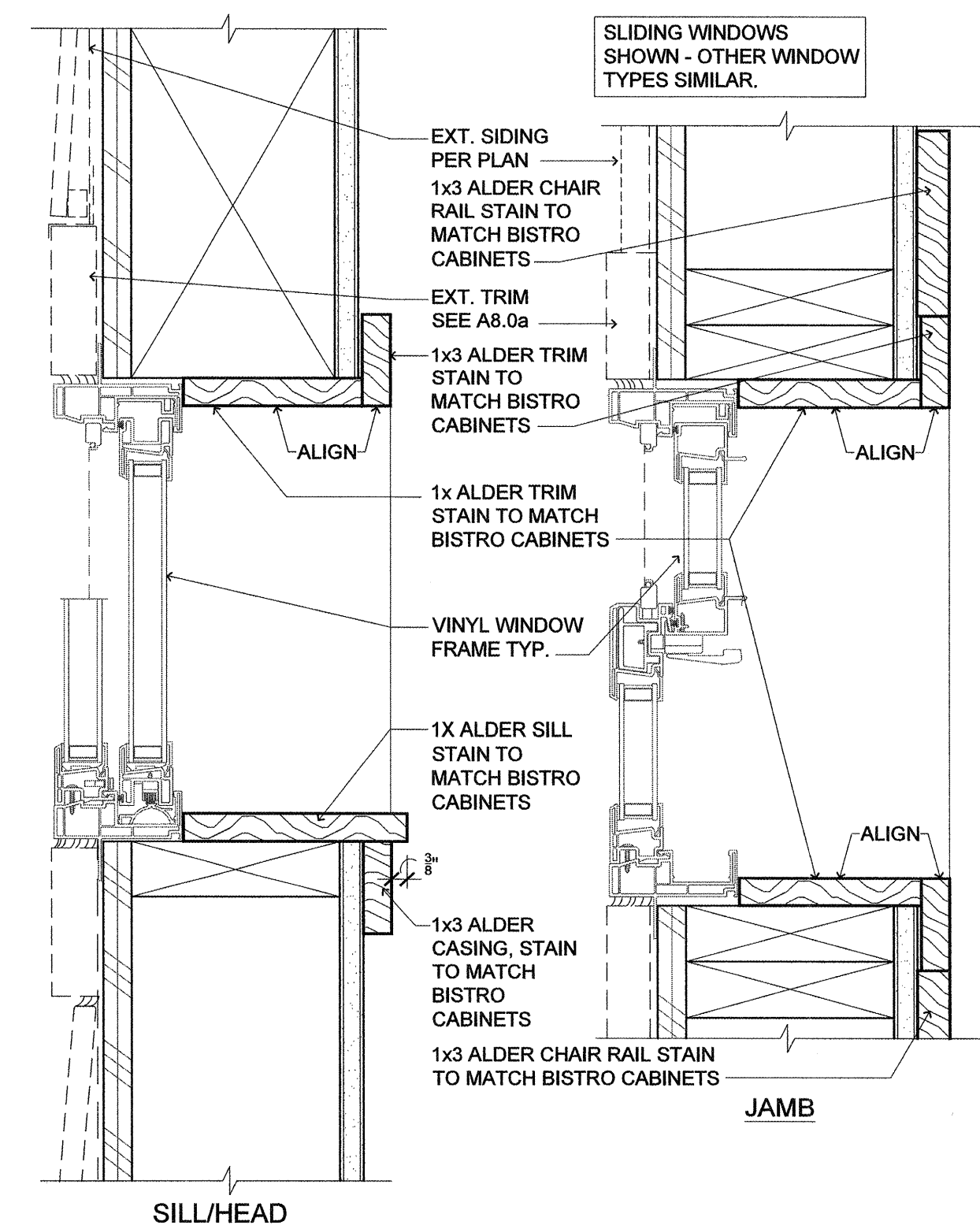
**2** INTERIOR DETAILS (BISTRO/ACTIVITY)  
SCALE: 1" = 1'-0"  
T:12FURNISH000CASW12300214



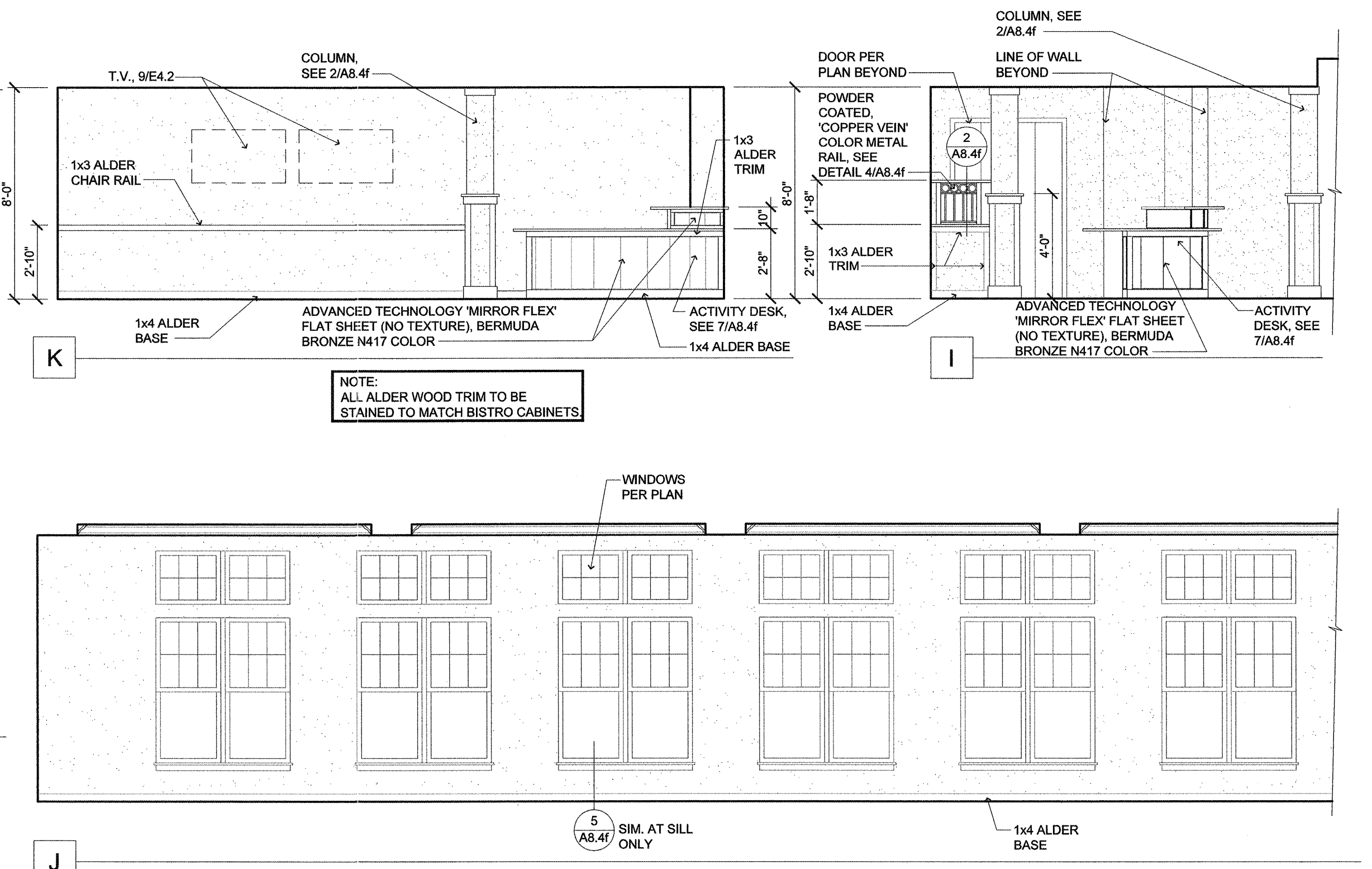
**6** CABINET LIGHTING (AT BISTRO)  
SCALE: 1-1/2" = 1'-0"  
T:12FURNISH000CASW12300610



**8** FIRE STOPPING BEHIND SHOWER (SECTION)  
SCALE: 1" = 1'-0"  
T:07TMPROT22FPRST1907270029



**5** TRIM AT WINDOW (SILL / HEAD SECTION, JAMB PLAN)  
SCALE: 3" = 1'-0"  
T:08DR6AVIEW030PLV100930522



**1** INTERIOR ELEVATIONS (BISTRO / ACTIVITY)  
SCALE: 1/4" = 1'-0"  
T:12FURNISH000CASW12300607EMP

www.secd2016.com All Information Published 2016 8/22/2016 11:12 AM Information: http://www.secd2016.com/interior-elevations-and-details/A8.4f