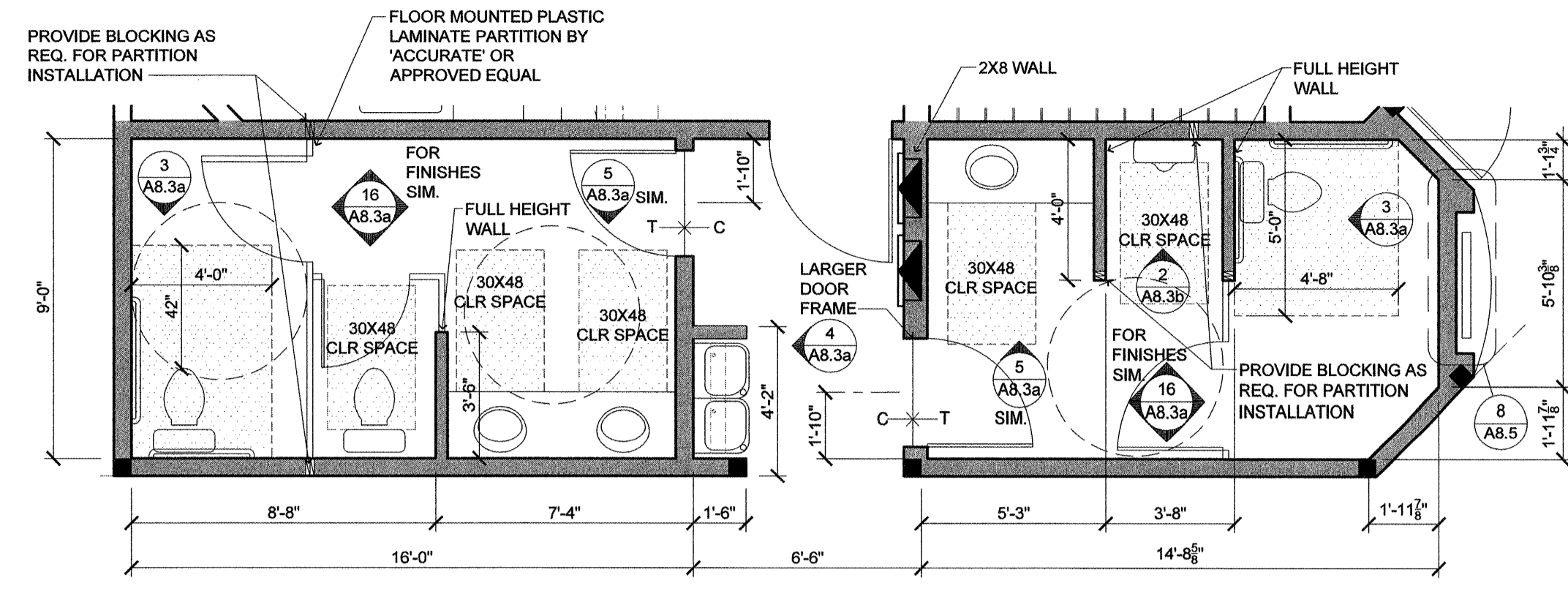
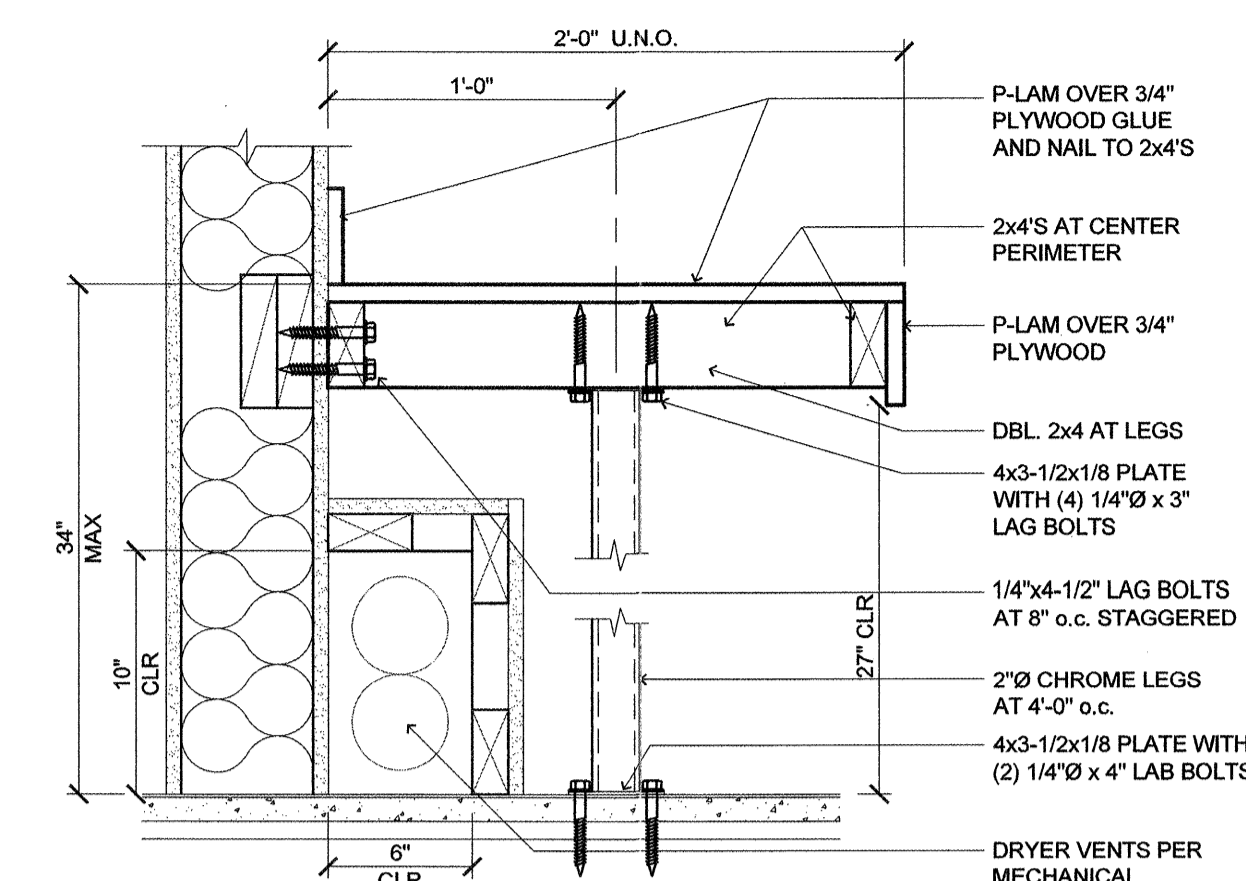


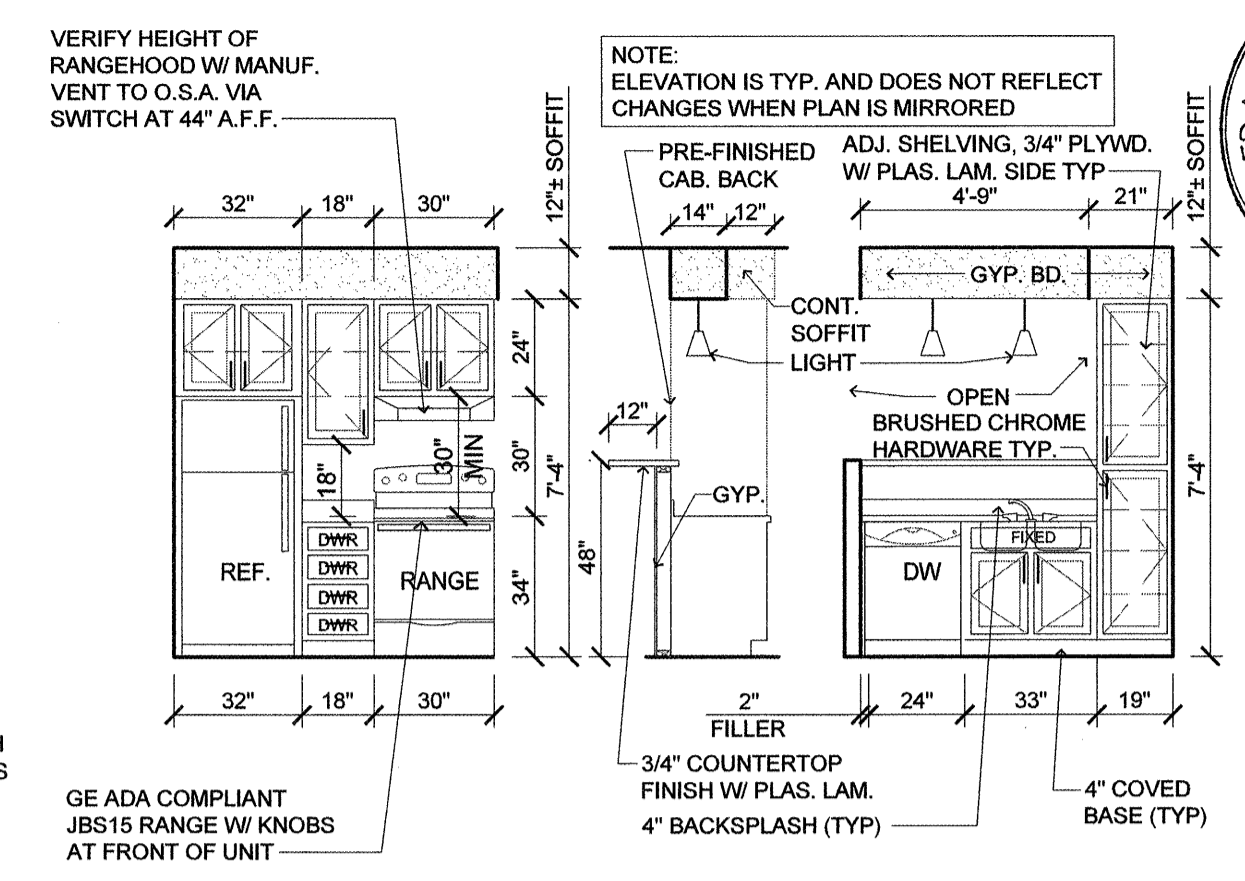
**16** INTERIOR ELEVATION  
(SUITE CLOSET WITH CHASE)  
SCALE: 3/8" = 1'-0"



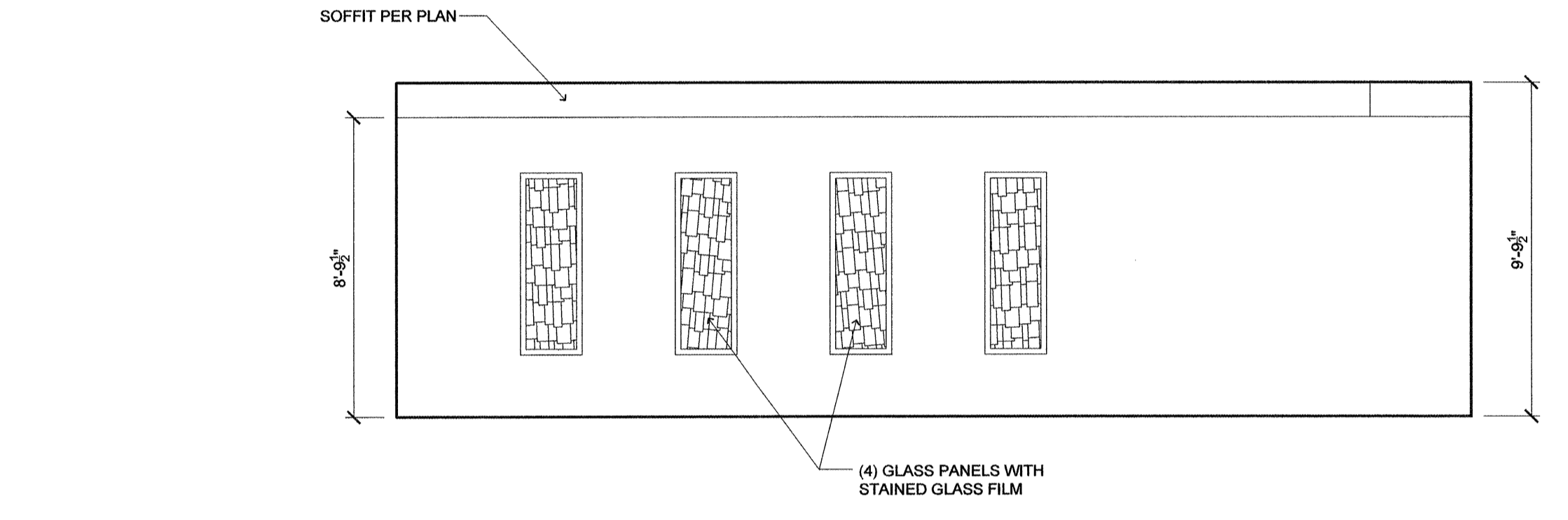
**11** ENLARGED BATHROOM  
(GROUND FLOOR)  
SCALE: 1/4" = 1'-0"



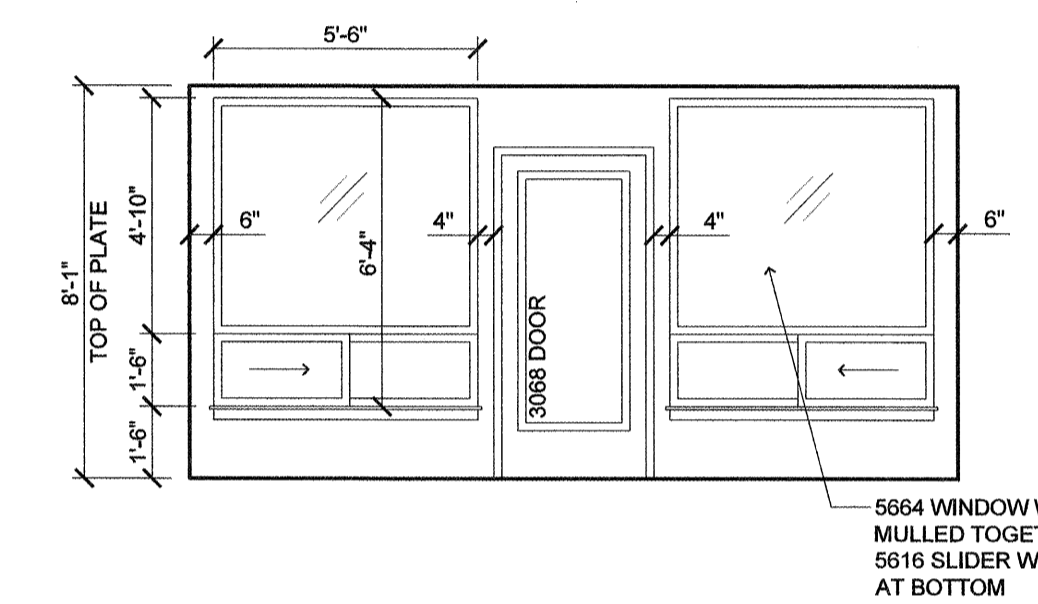
**7** DRYER VENTING  
(SOFFIT)  
SCALE: 1-1/2" = 1'-0"



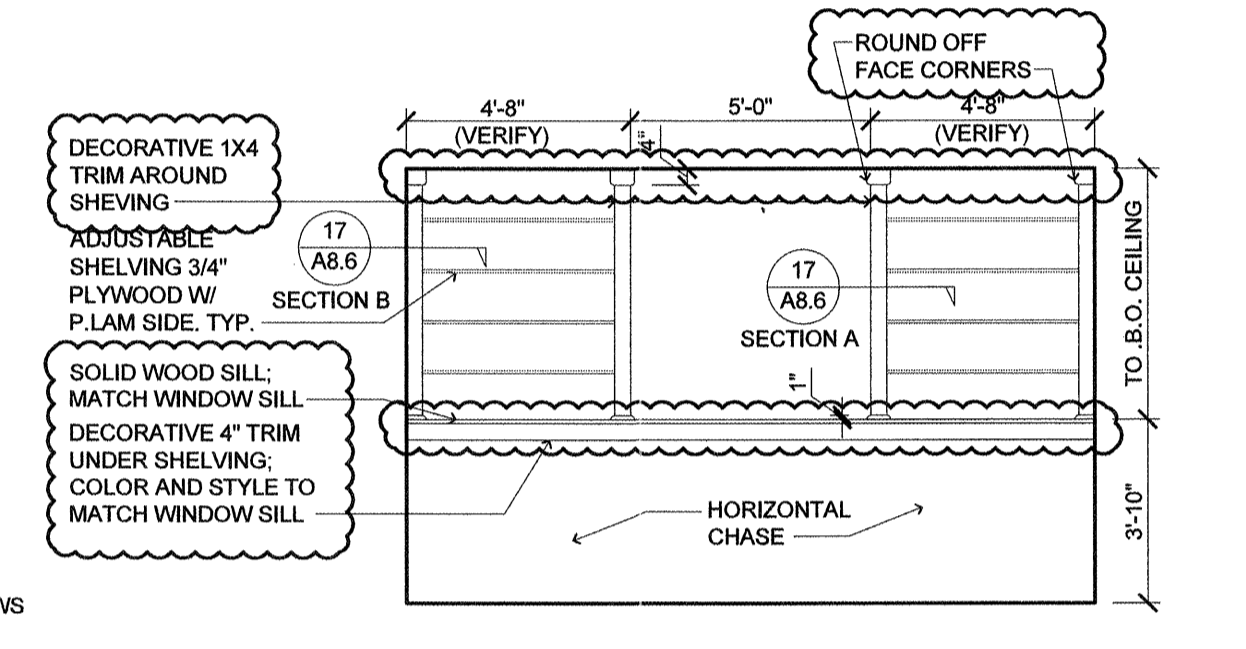
**3** INTERIOR ELEVATION  
(CO-MANAGER'S KITCHEN)  
SCALE: 1/4" = 1'-0"



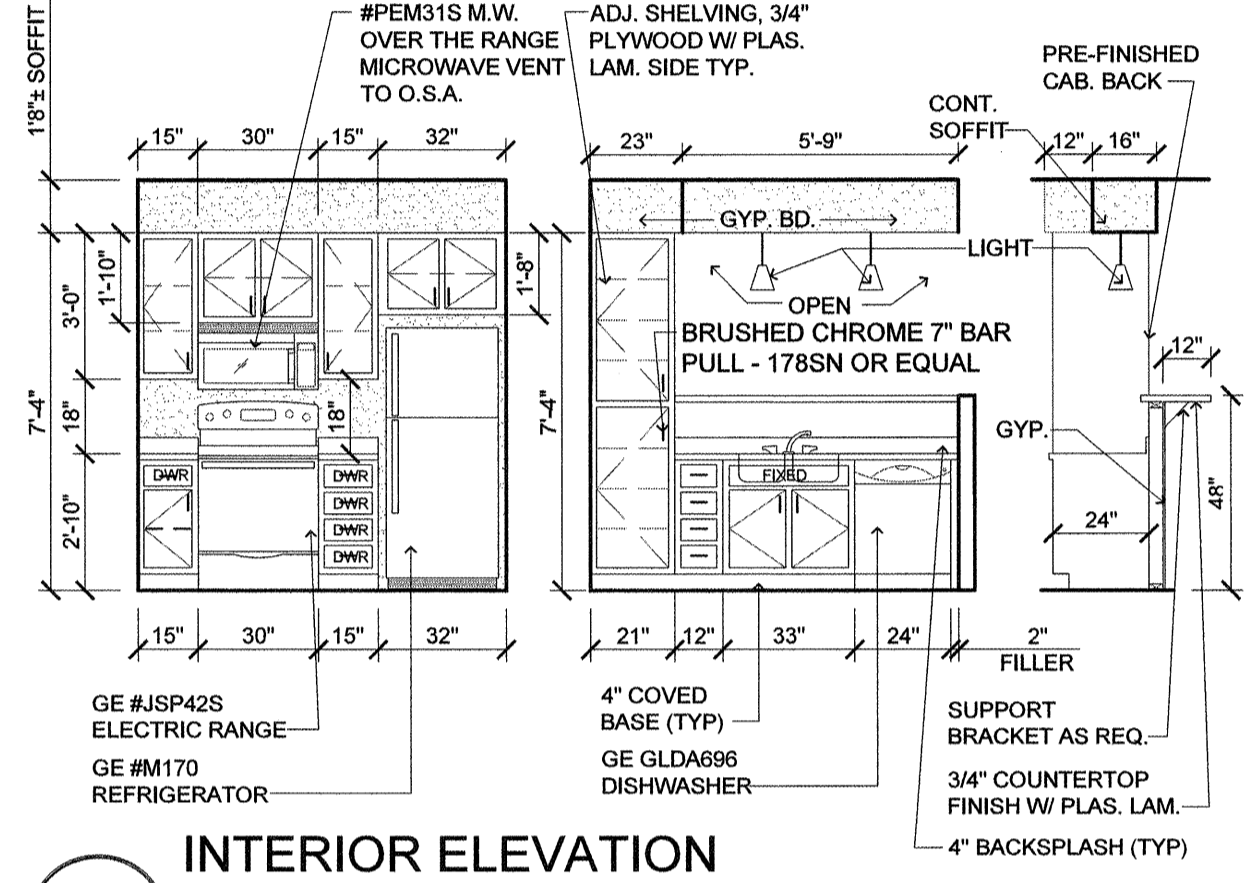
**15** INTERIOR ELEVATION  
(EXERCISE)  
SCALE: 1/4" = 1'-0"



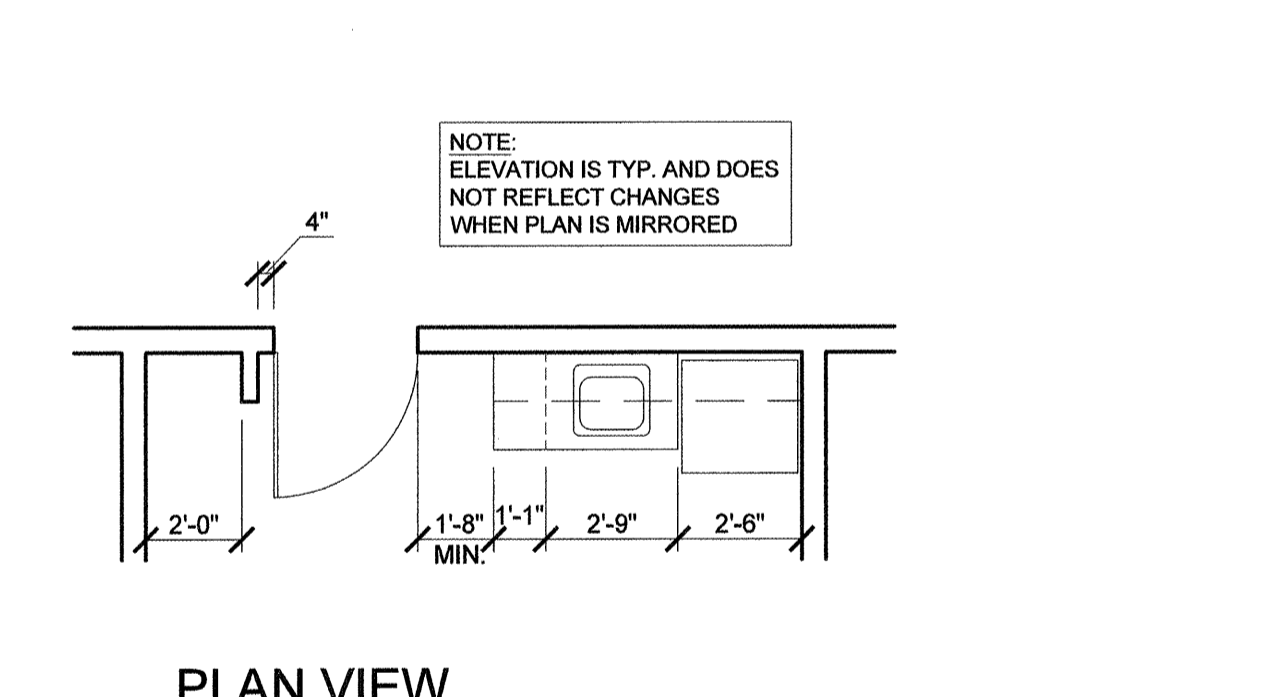
**10** INTERIOR ELEVATION  
(SUN DECK)  
SCALE: 1/4" = 1'-0"



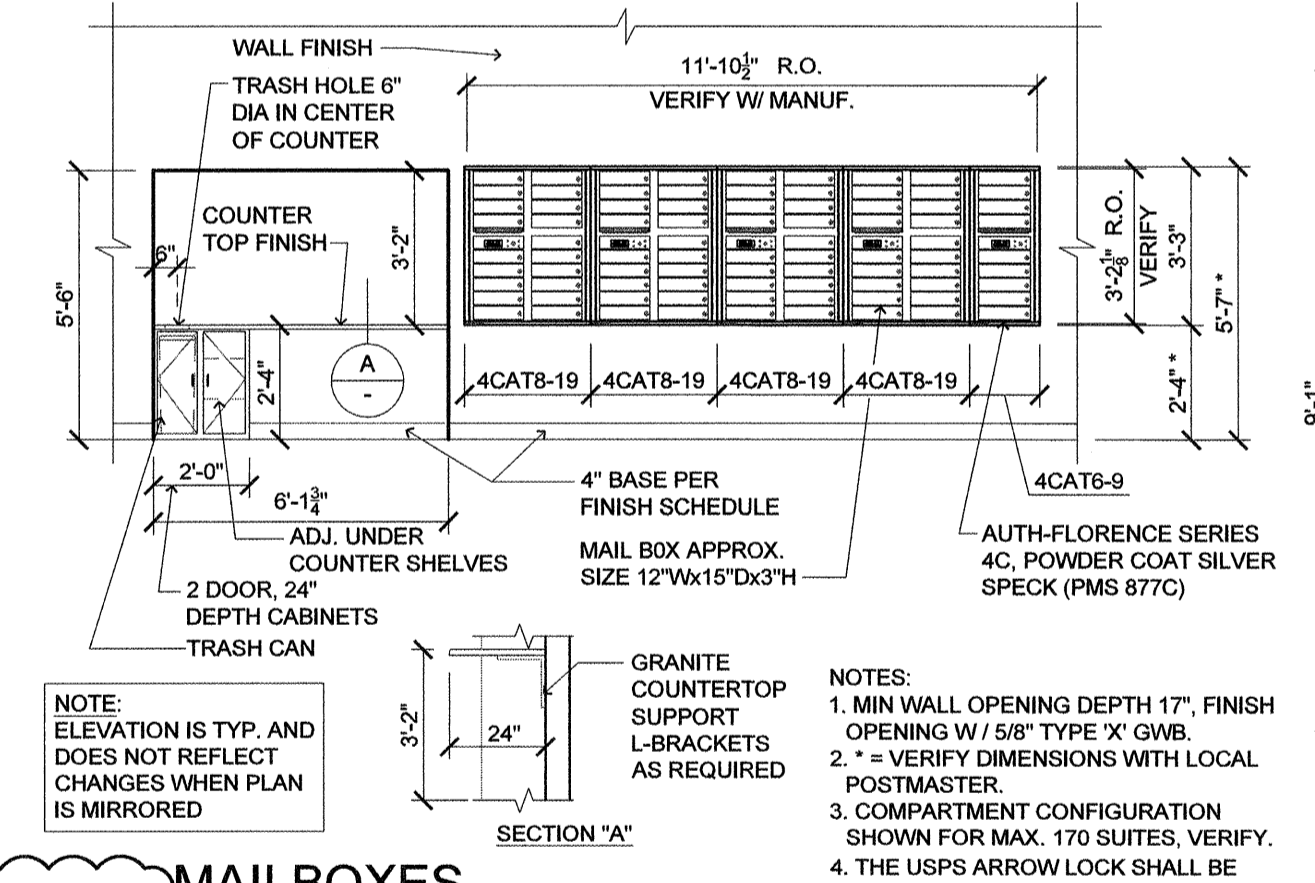
**6** SHELVING ABOVE HORIZONTAL CHASE  
(ELEVATION)  
SCALE: 1/4" = 1'-0"



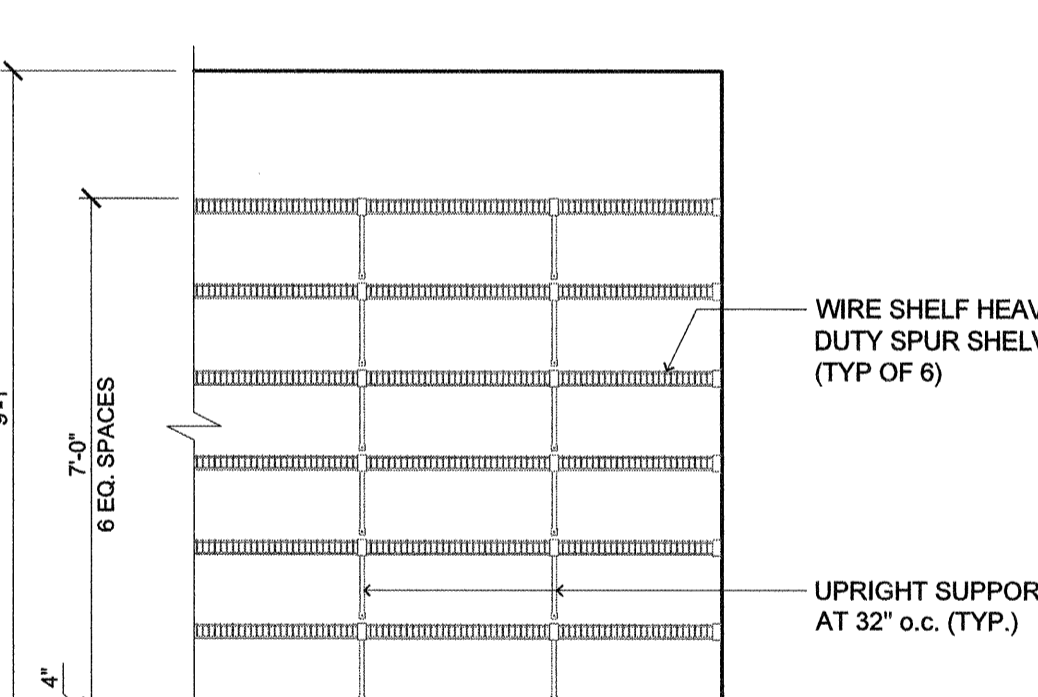
**2** INTERIOR ELEVATION  
(MANAGER'S KITCHEN)  
SCALE: 1/4" = 1'-0"



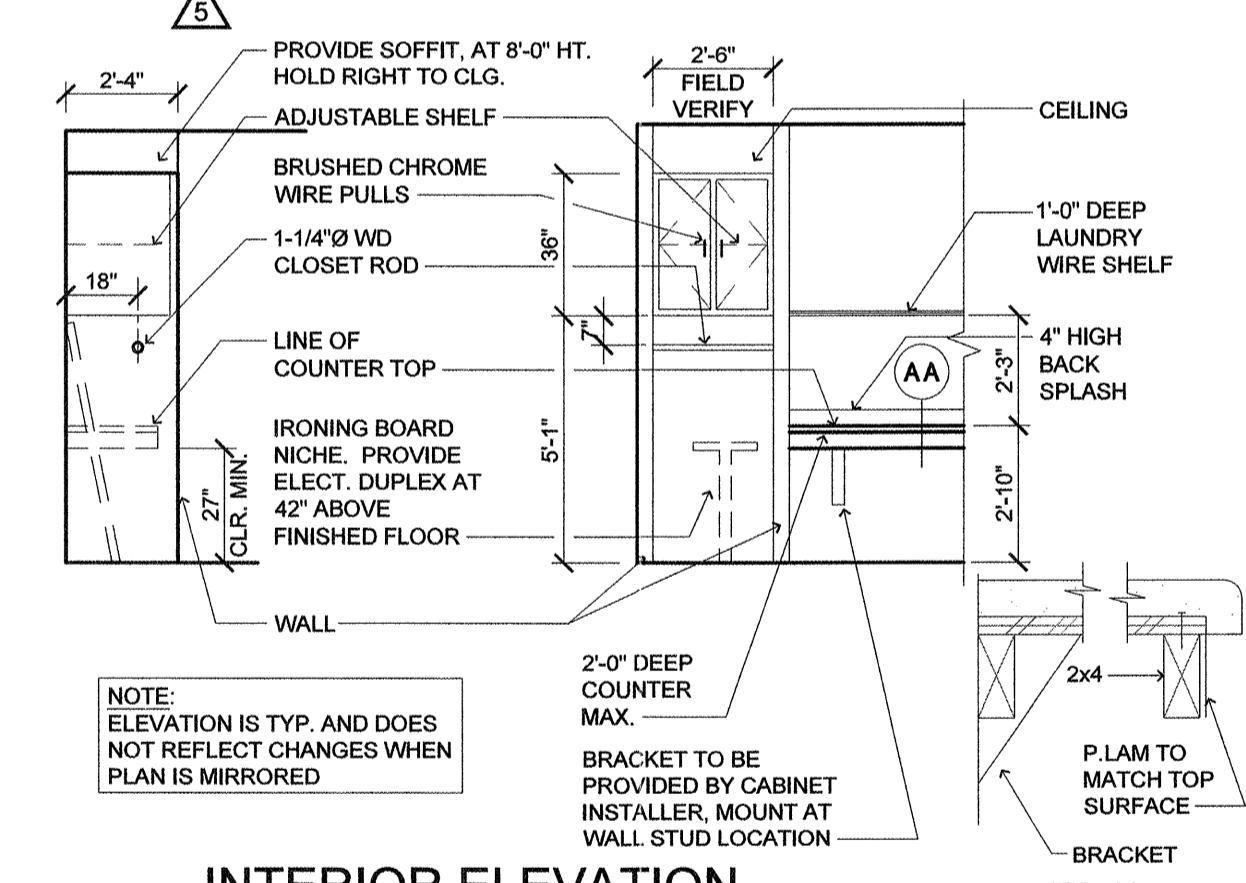
**15** INTERIOR ELEVATION  
(EXERCISE)  
SCALE: 1/4" = 1'-0"



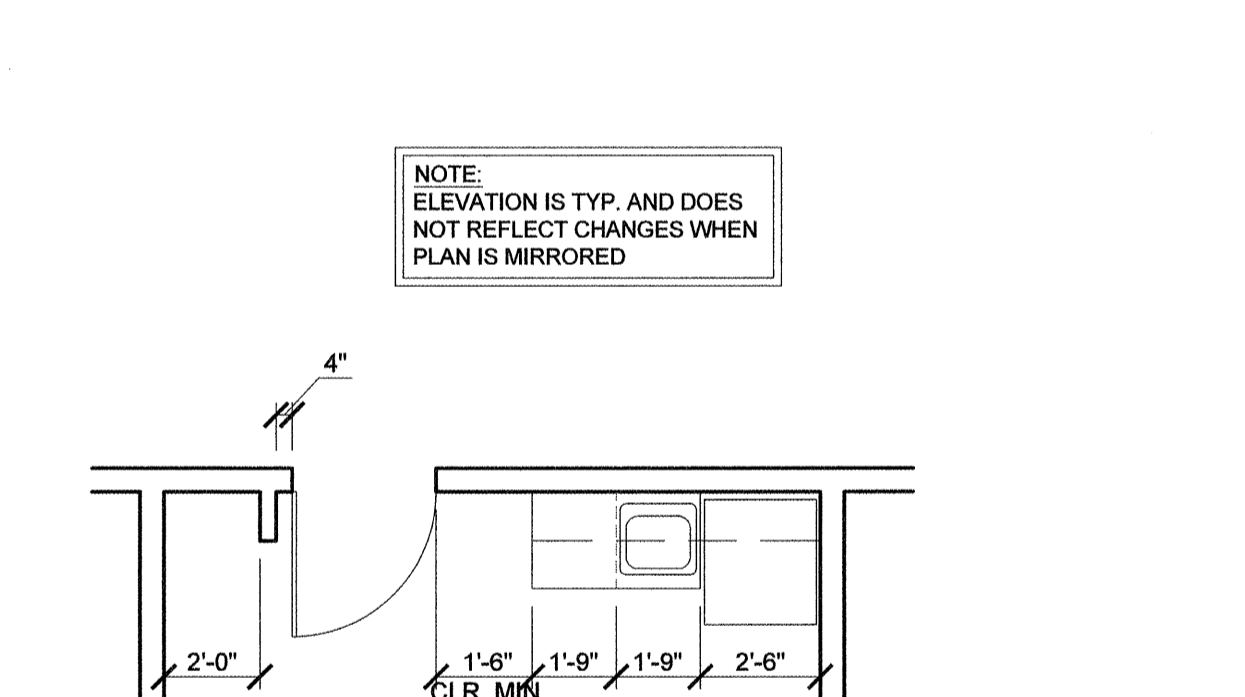
**13** MAILBOXES  
(TYPICAL ELEVATION)  
SCALE: 1/4" = 1'-0"



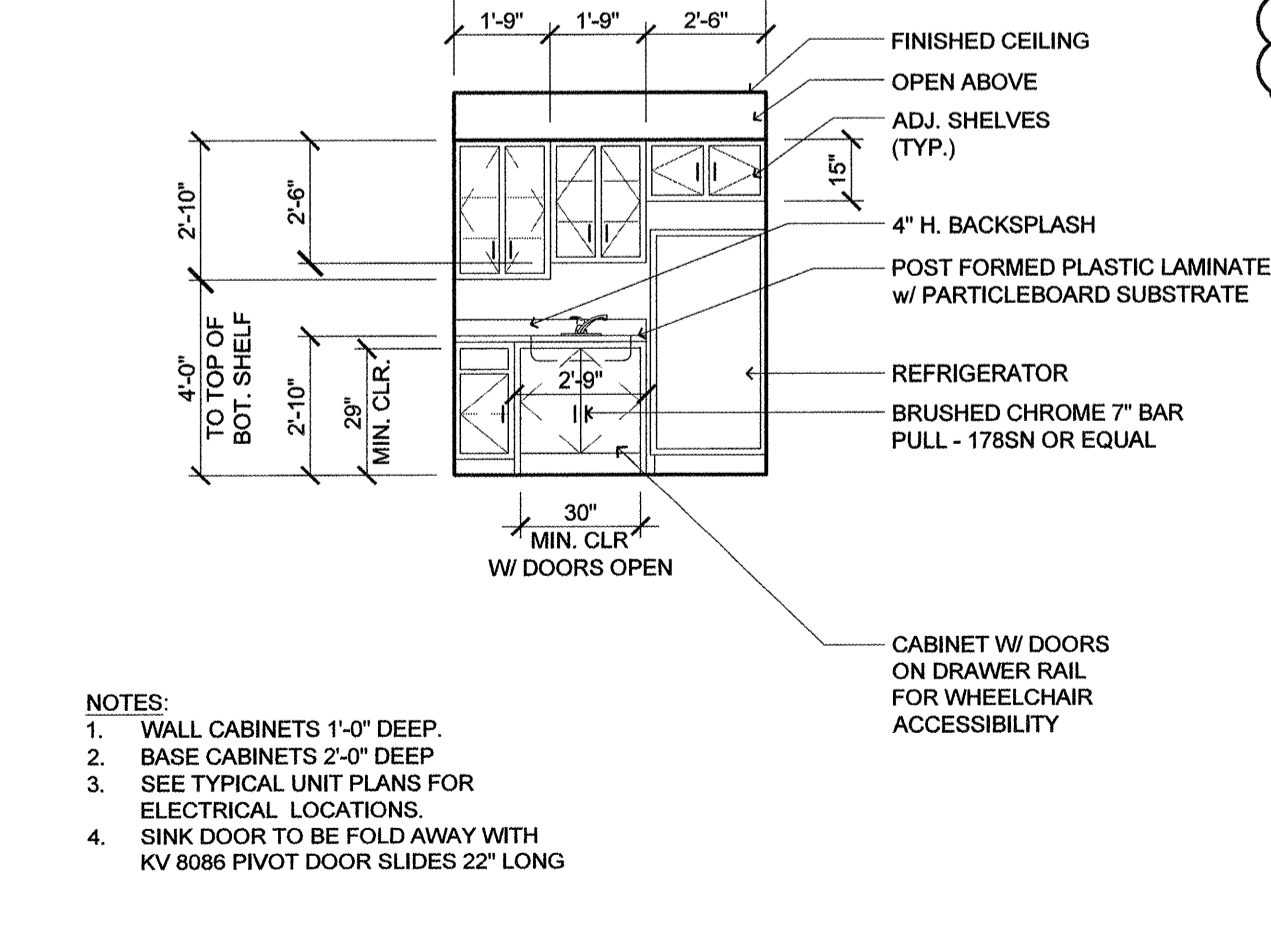
**9** INTERIOR ELEVATION  
(STORAGE/LINEN SHELVES)  
SCALE: 3/8" = 1'-0"



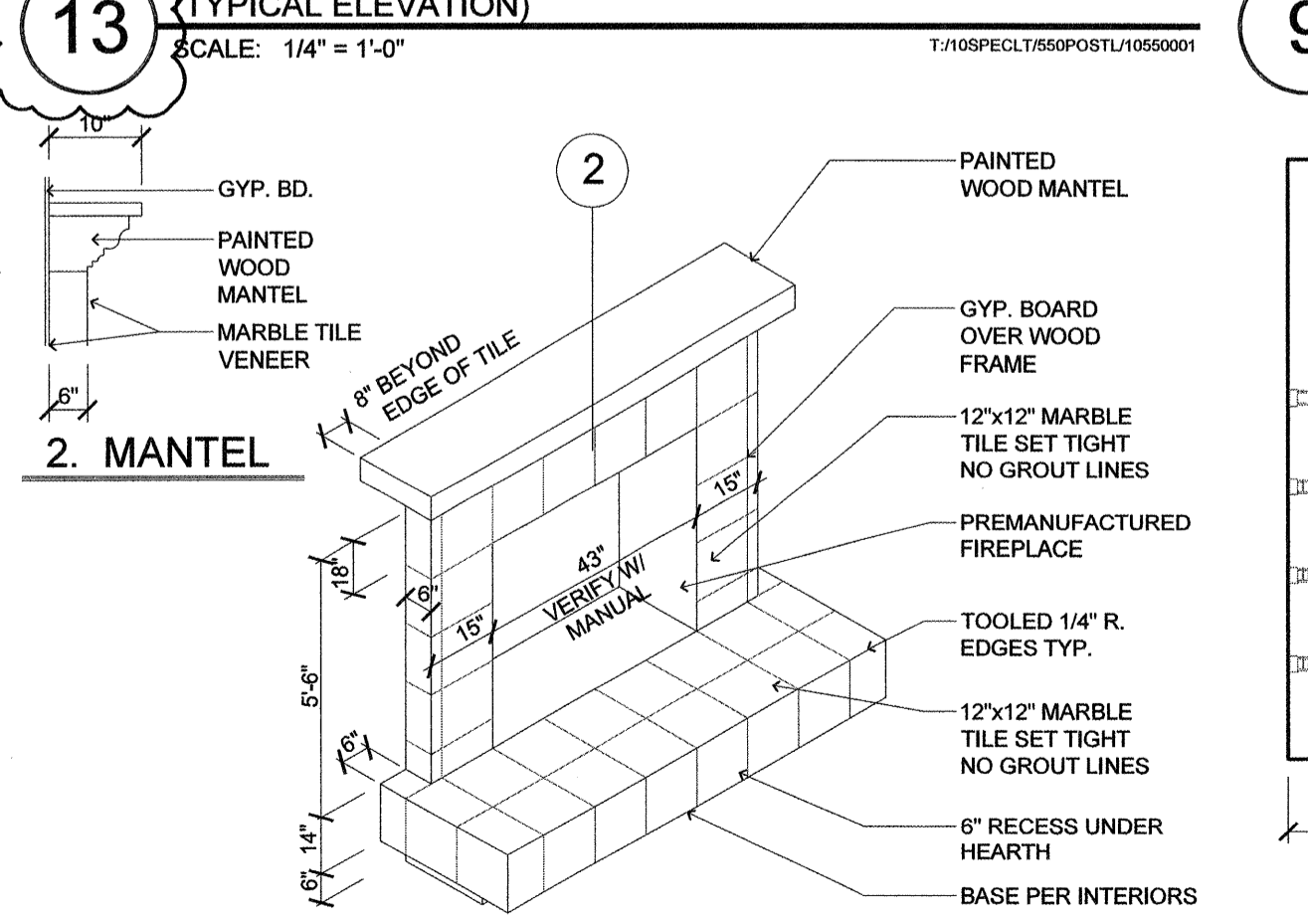
**5** INTERIOR ELEVATION  
(LAUNDRY)  
SCALE: 1/4" = 1'-0"



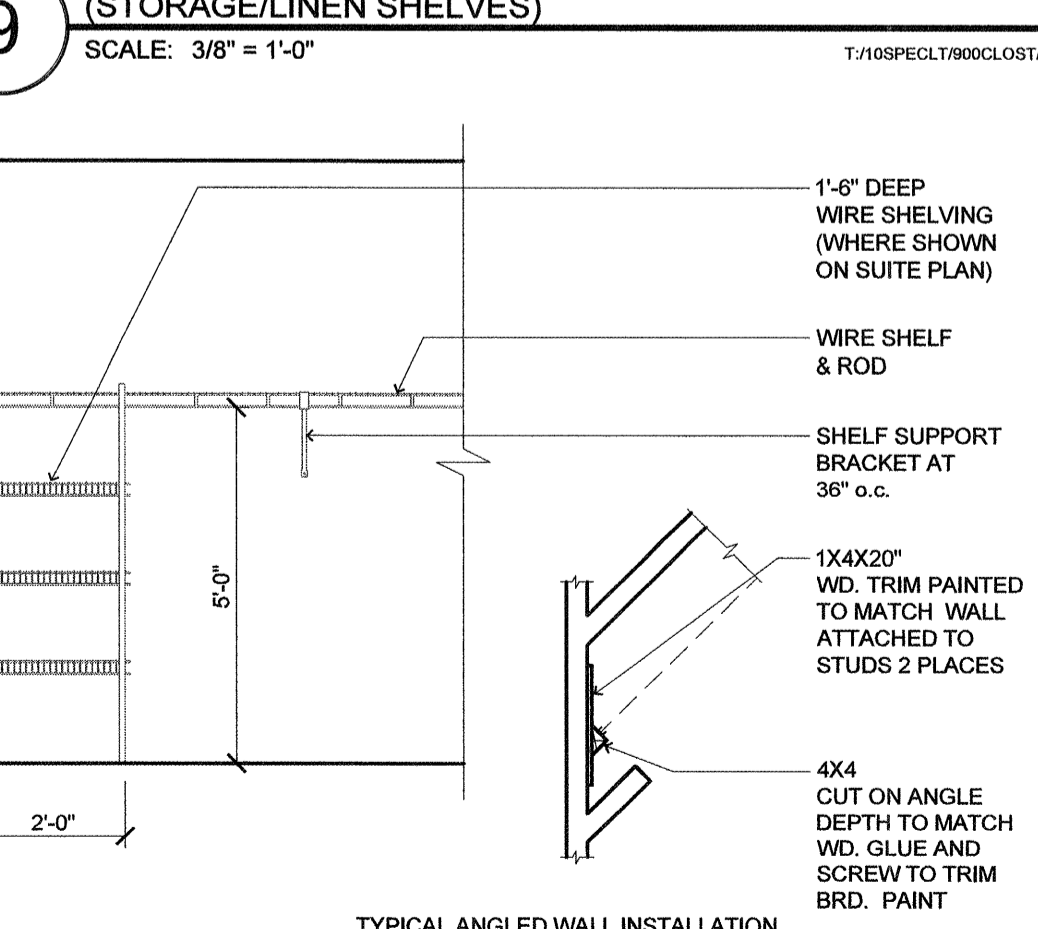
**2** INTERIOR ELEVATION  
(MANAGER'S KITCHEN)  
SCALE: 1/4" = 1'-0"



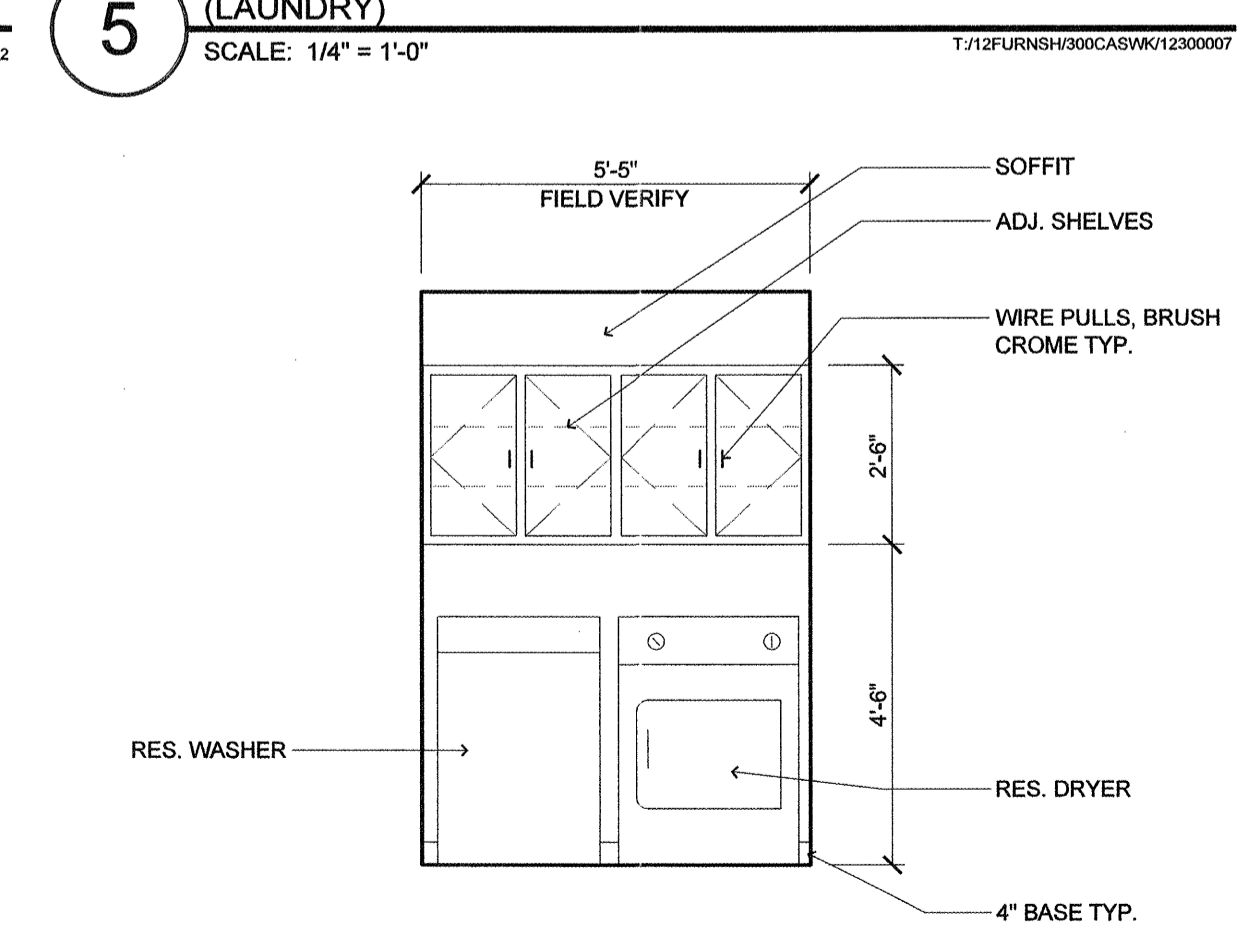
**14** INTERIOR ELEVATION  
(ACCESSIBLE SUITE CABINETS)  
SCALE: 1/4" = 1'-0"



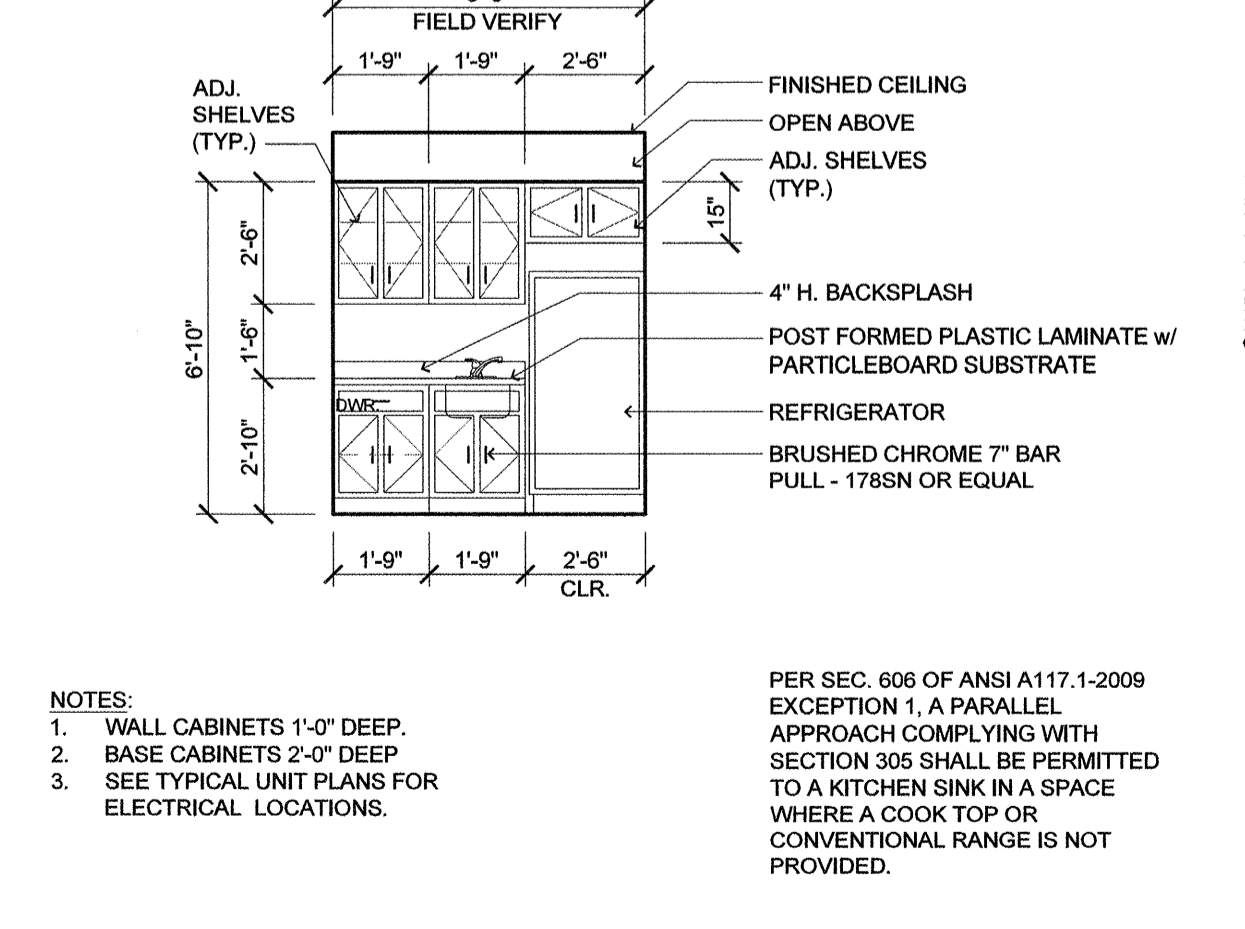
**12** FIREPLACE DETAILS  
(MANTEL & ISOMETRIC)  
SCALE: NOT TO SCALE (1:12)



**8** INTERIOR ELEVATION  
(TYPICAL SUITE CLOSET)  
SCALE: 3/8" = 1'-0"



**4** MANAGER'S LAUNDRY  
(CASEWORK)  
SCALE: 3/8" = 1'-0"



**1** INTERIOR ELEVATION  
(TYPICAL SUITE CABINETS)  
SCALE: 1/4" = 1'-0"



**lenity** architecture  
360 North Main Street, Suite 200  
Portland, Maine 04103  
Phone: (503) 596-7401

**COLSON AND COLSON**  
GENERAL CONTRACTOR, INC.  
2280 McILCHRIST STREET SE, SUITE 200  
SALEM, OREGON, 97302  
PHONE (503) 596-7401

**PORTLAND**  
RETIREMENT RESIDENCE  
802 OCEAN AVE. PORTLAND, MAINE 04103

**INTERIOR ELEVATIONS AND DETAILS**  
DATE: 8/28/2015  
REVISED DATE: 9/22/2015, 2/2/2016, 7/18/2016  
SHEET: A8.4a

W:\2122\21015\_1375\1\pds - 16/01/16\21015\_1375\_1\pds - 16/01/16\21015\_1375\_1\interior\_elevations\_and\_details.dwg, A8.4a  
 2016/08/28 10:33:31 AM