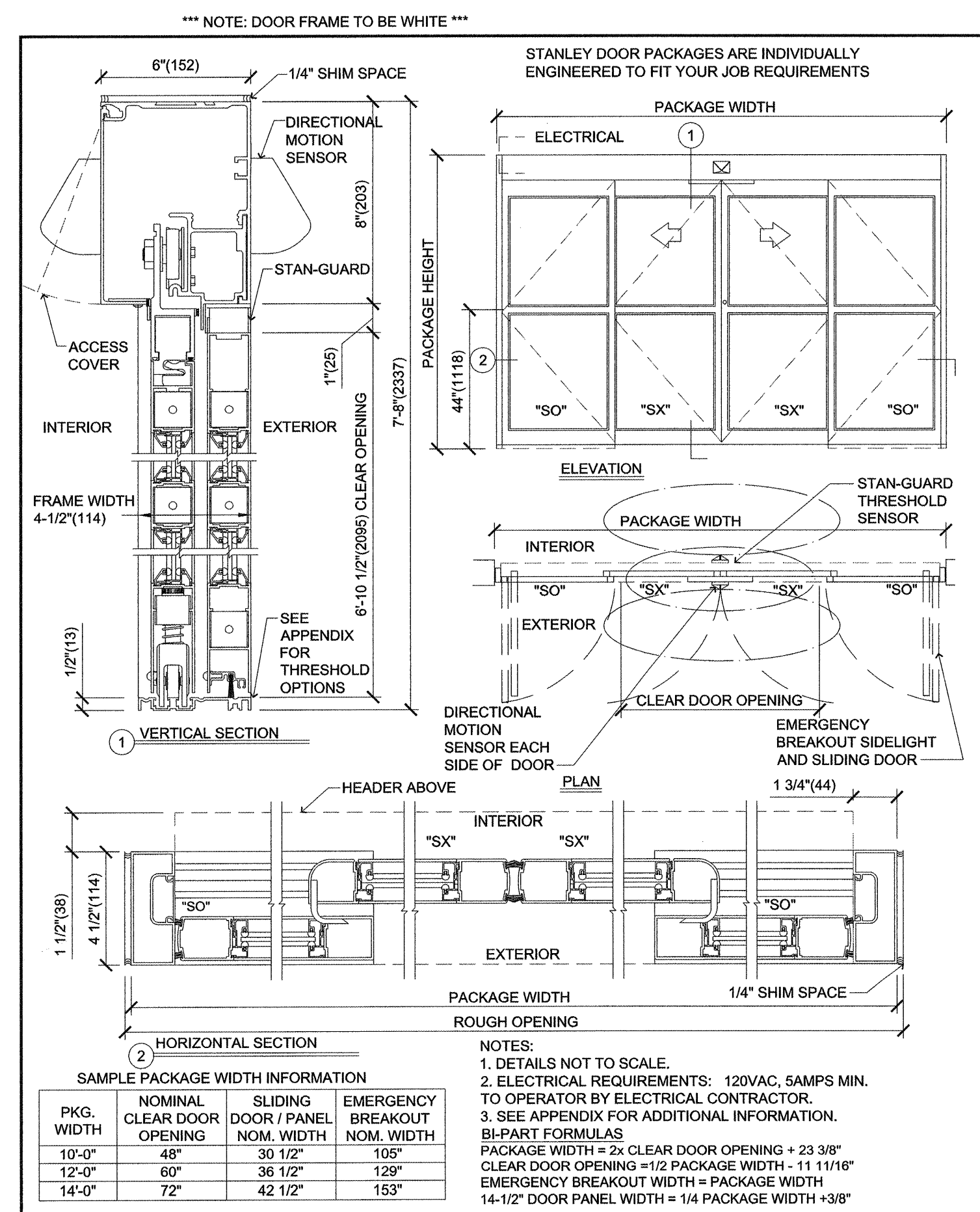
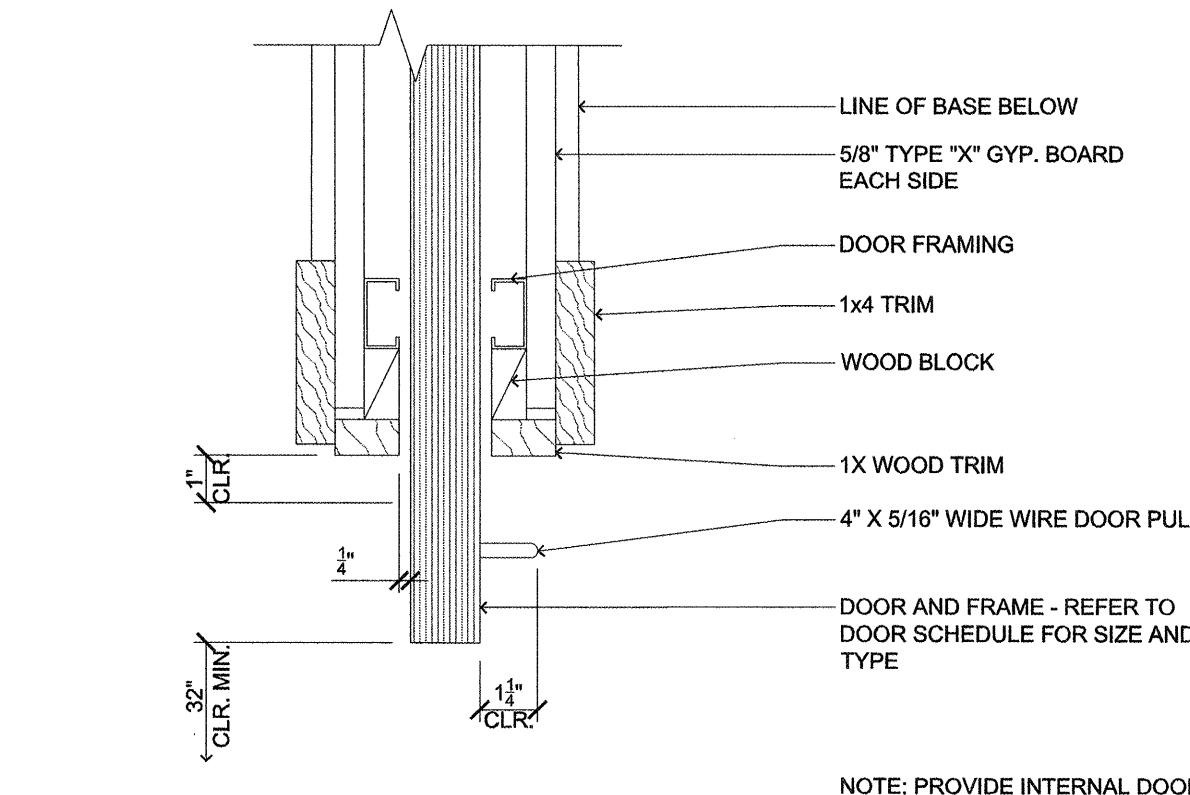


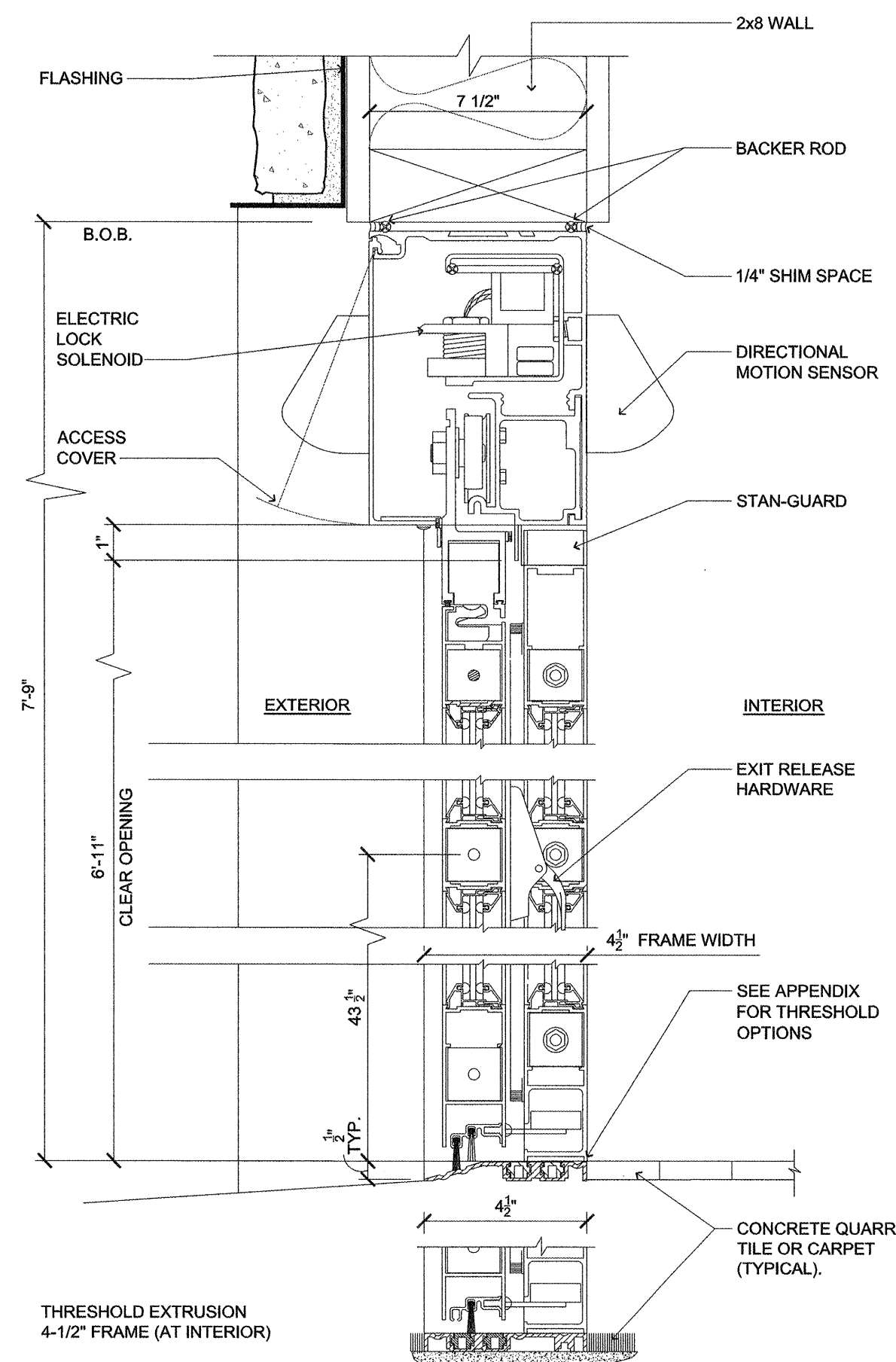
12 MANEUVERING CLEARANCES AT DOORS
(MINIMUM ACCESSIBLE FLOOR CLEARANCE)
SCALE: 1/4" = 1'-0"



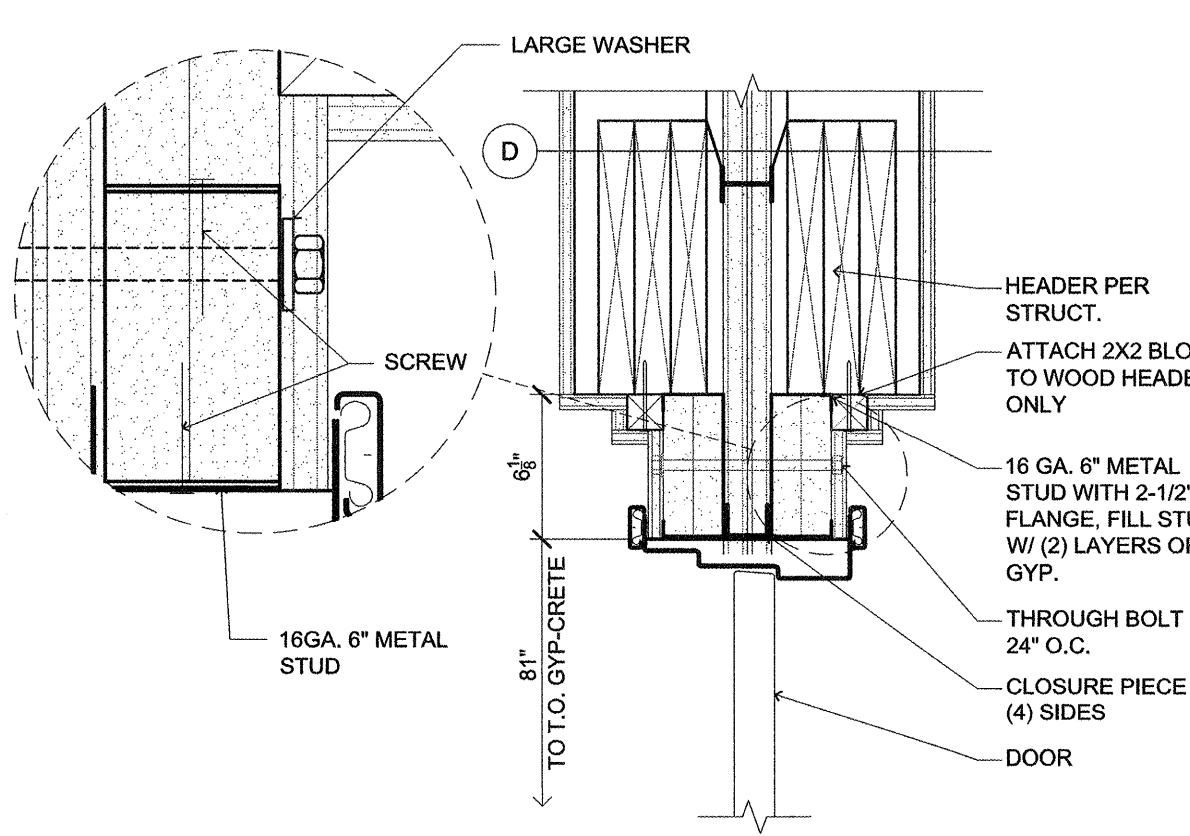
11 ENTRY DOOR (DURA-GLIDE 3000)
SCALE: 1" = 1'-0"



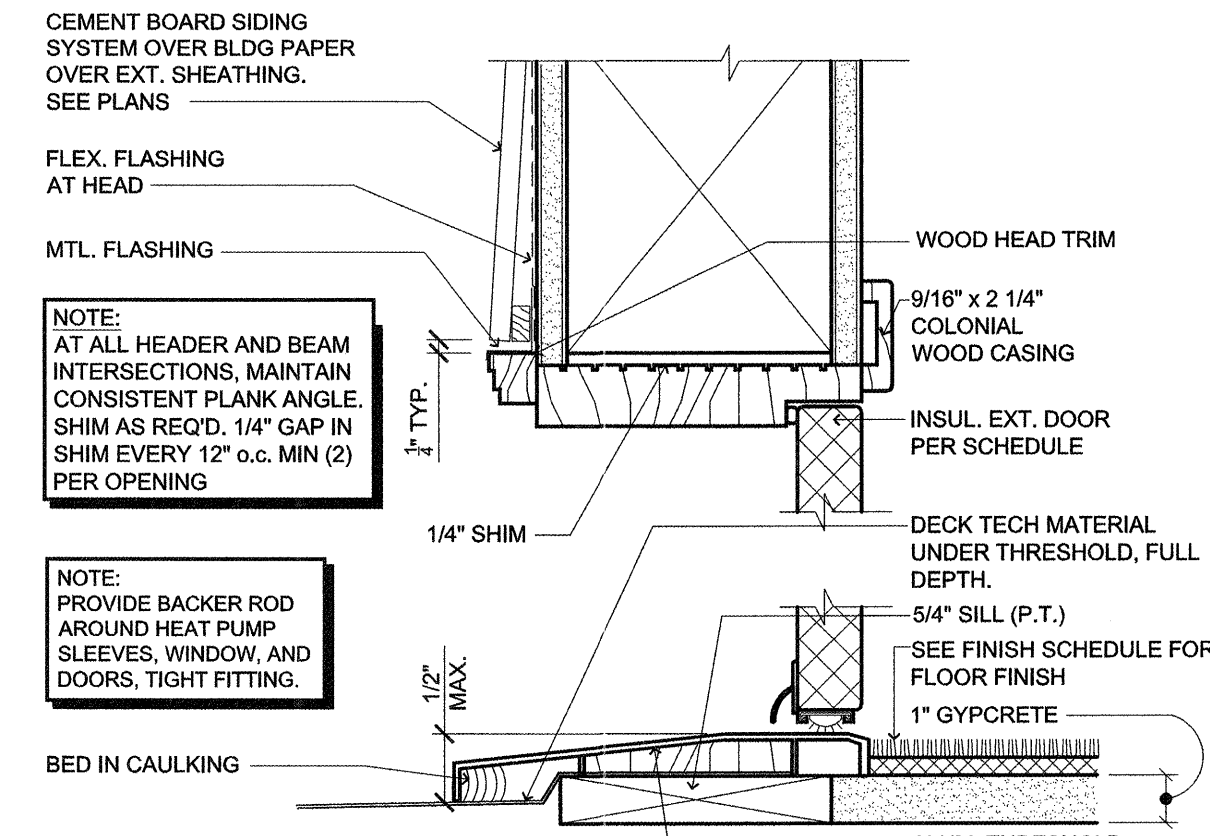
13 POCKET DOOR JAMB
SCALE: 3" = 1'-0"



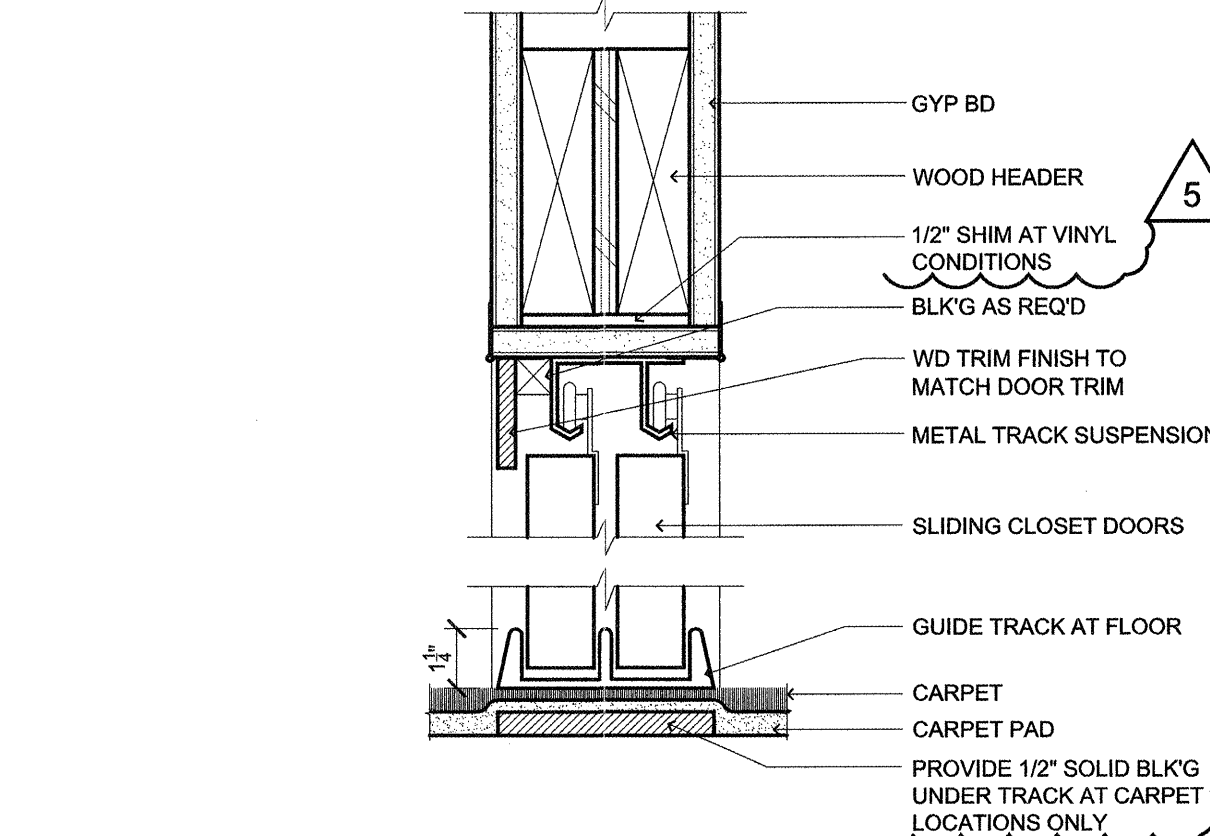
10 AUTOMATIC SLIDING DOORS (SECTION)
SCALE: 3" = 1'-0"



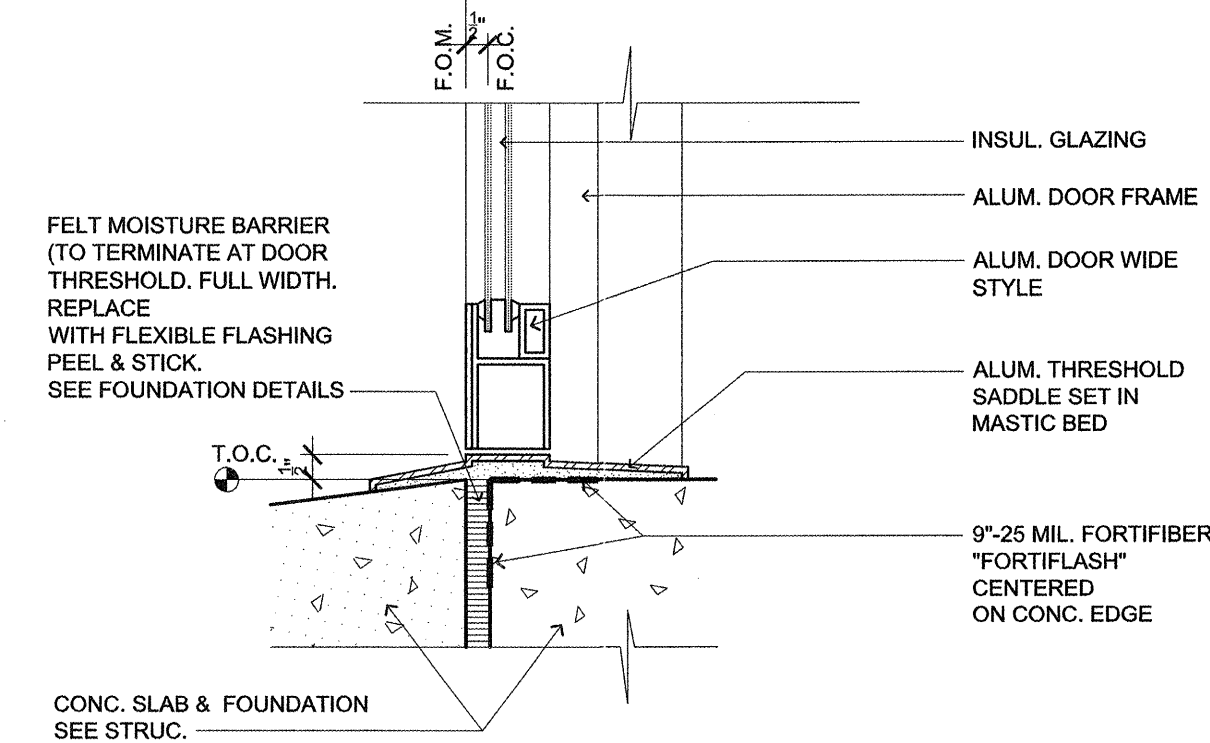
9 FIREWALL DOOR HEAD (AT CORRIDORS)
SCALE: 1-1/2" = 1'-0"



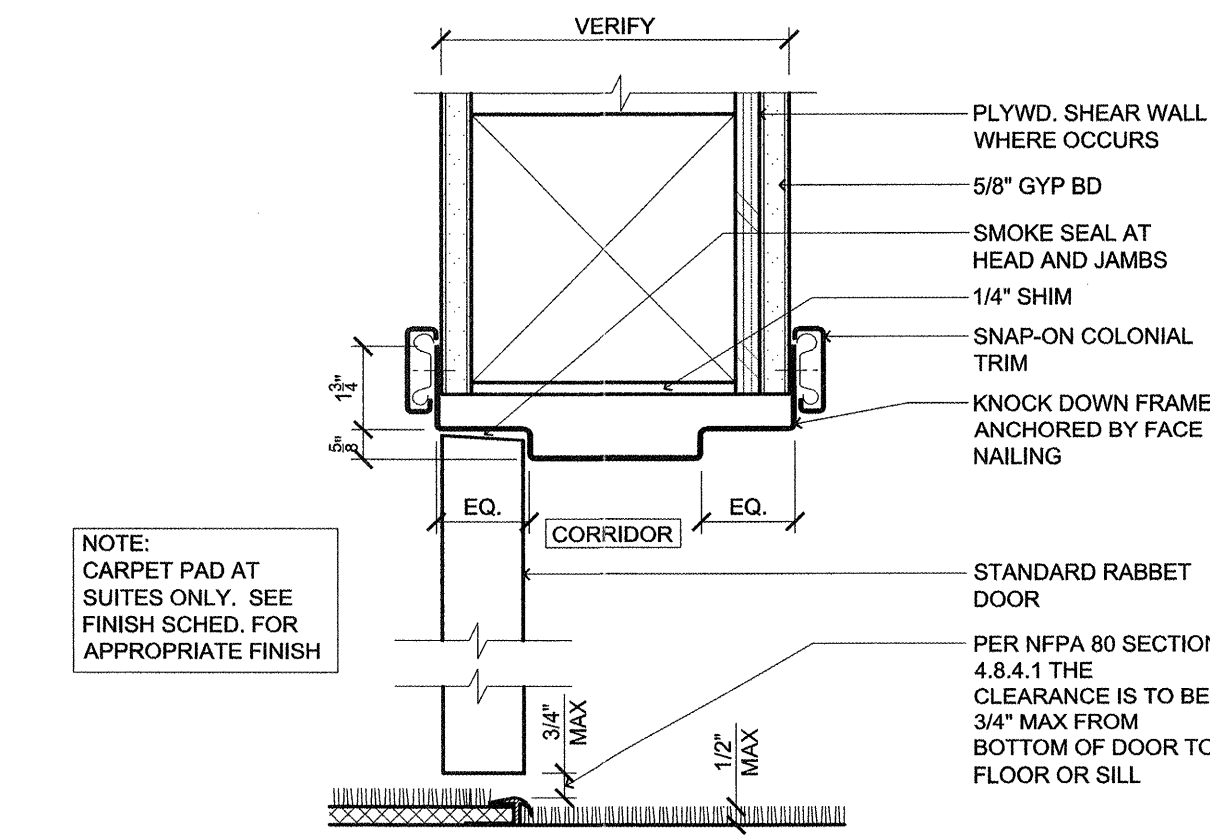
8 DOOR HEAD / THRESHOLD (DECK)
SCALE: 3" = 1'-0"



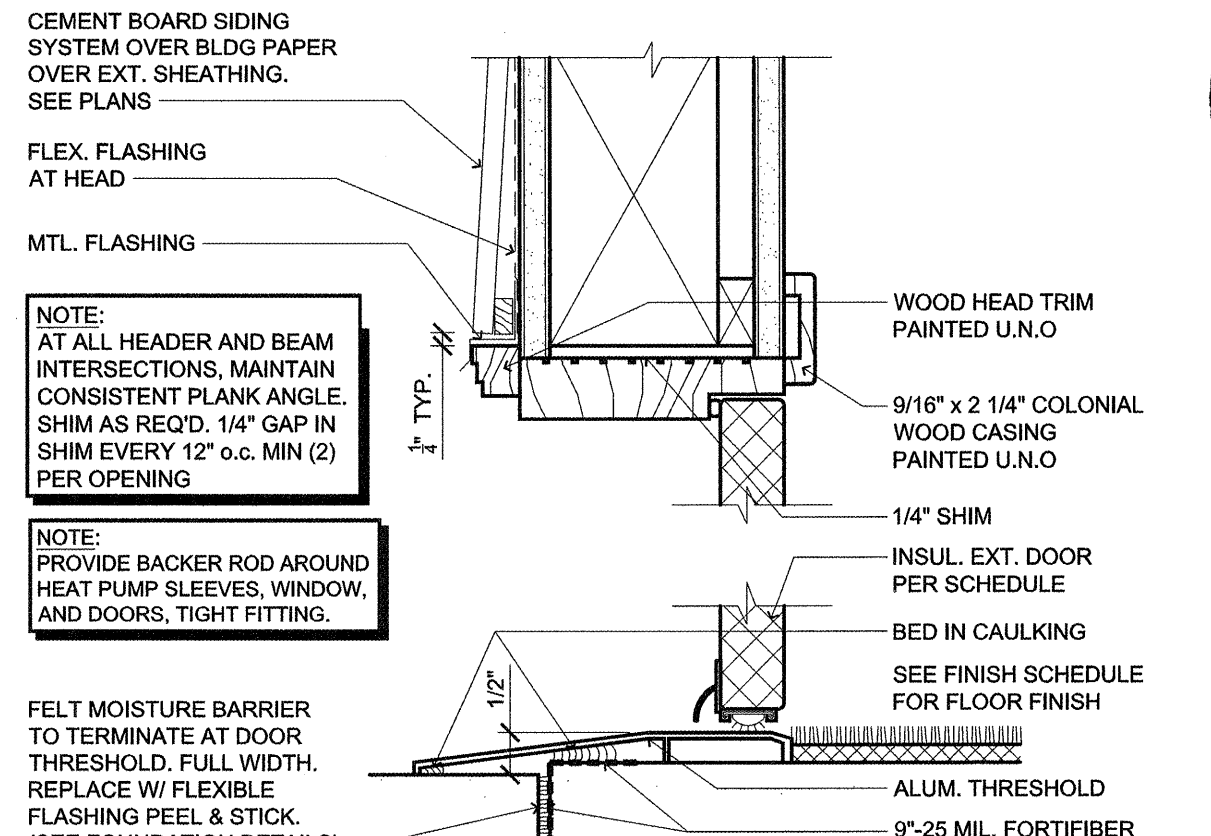
7 SLIDING DOOR HEAD / SILL WOOD FRAME
SCALE: 3" = 1'-0"



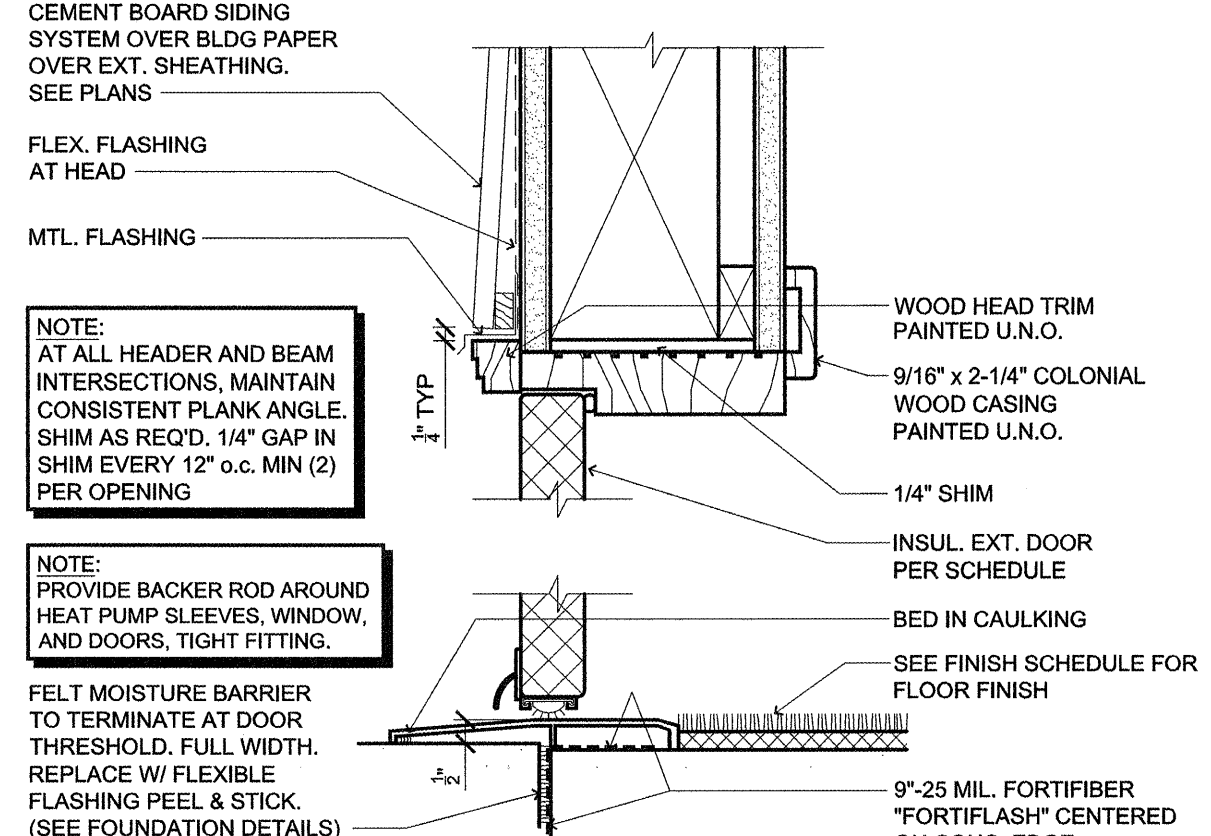
6 DOOR THRESHOLD (ALUMINUM DOOR)
SCALE: 3" = 1'-0"



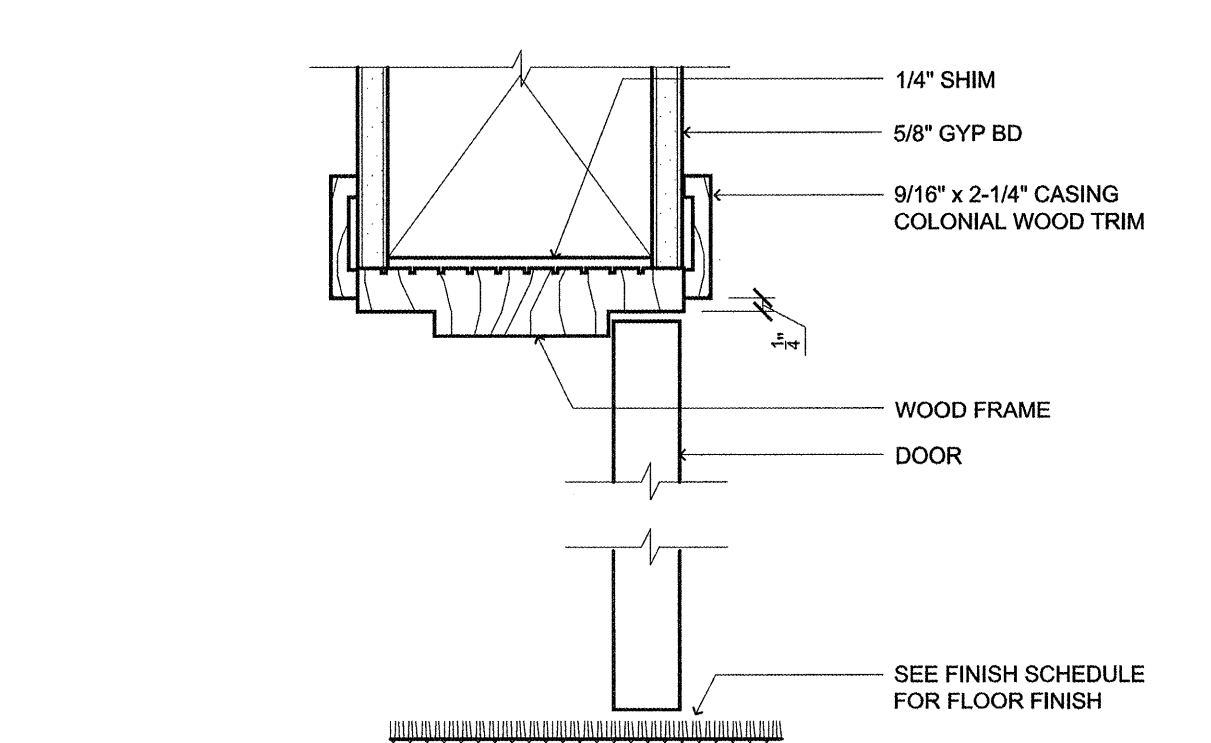
5 DOOR HEAD (KNOCK DOWN - JAMB SIM.)
SCALE: 3" = 1'-0"



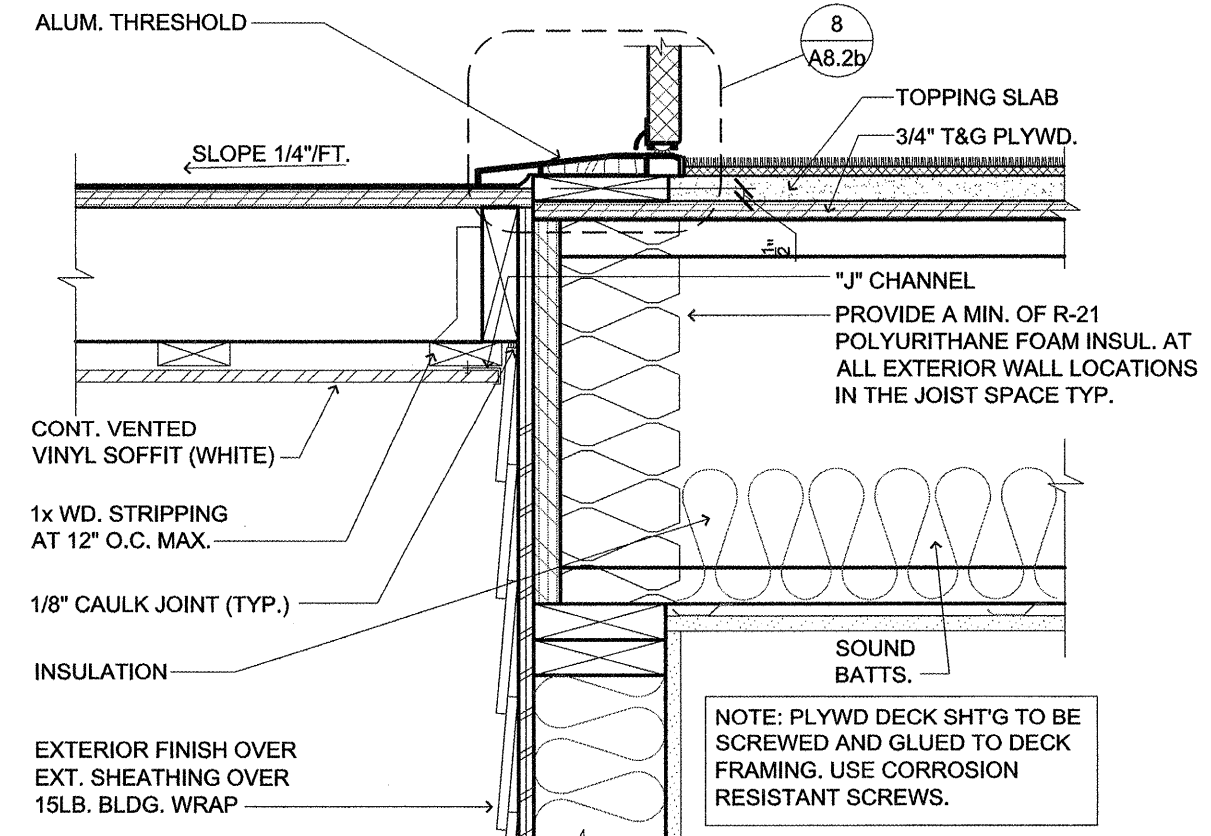
4 DOOR HEAD / THRESHOLD (CONC. PATIO)
SCALE: 3" = 1'-0"



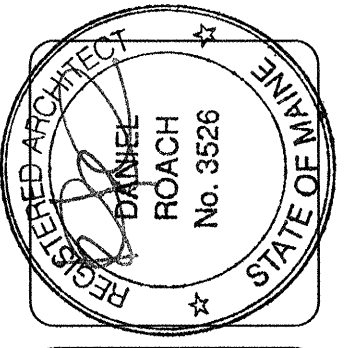
3 DOOR HEAD / THRESHOLD (EXT. SWING, WOOD FRAME)
SCALE: 3" = 1'-0"



2 DOOR HEAD (WOOD FRAME)
SCALE: 3" = 1'-0"



1 DECK AT THRESHOLD (SOFFIT ON UNDERSIDE OF DECK)
SCALE: 1-1/2" = 1'-0"



lenity architecture
3150 Kettle Court SE, Salem, Oregon 97301
www.lenityarchitecture.com
P: 503 399 1090 F: 503 399 0385

COLSON AND COLSON
GENERAL CONTRACTOR, INC.
2280 McGILCHRIST STREET SE, SUITE 200
SALEM, OREGON, 97302
PHONE (503) 586-7401

PORTLAND RETIREMENT RESIDENCE
802 OCEAN AVE. PORTLAND, MAINE 04103

DOOR DETAILS

DATE: 8/28/2015
REVISED DATE: 9/22/2015, 2/2/2016, 7/18/2016

SHEET A8.2b