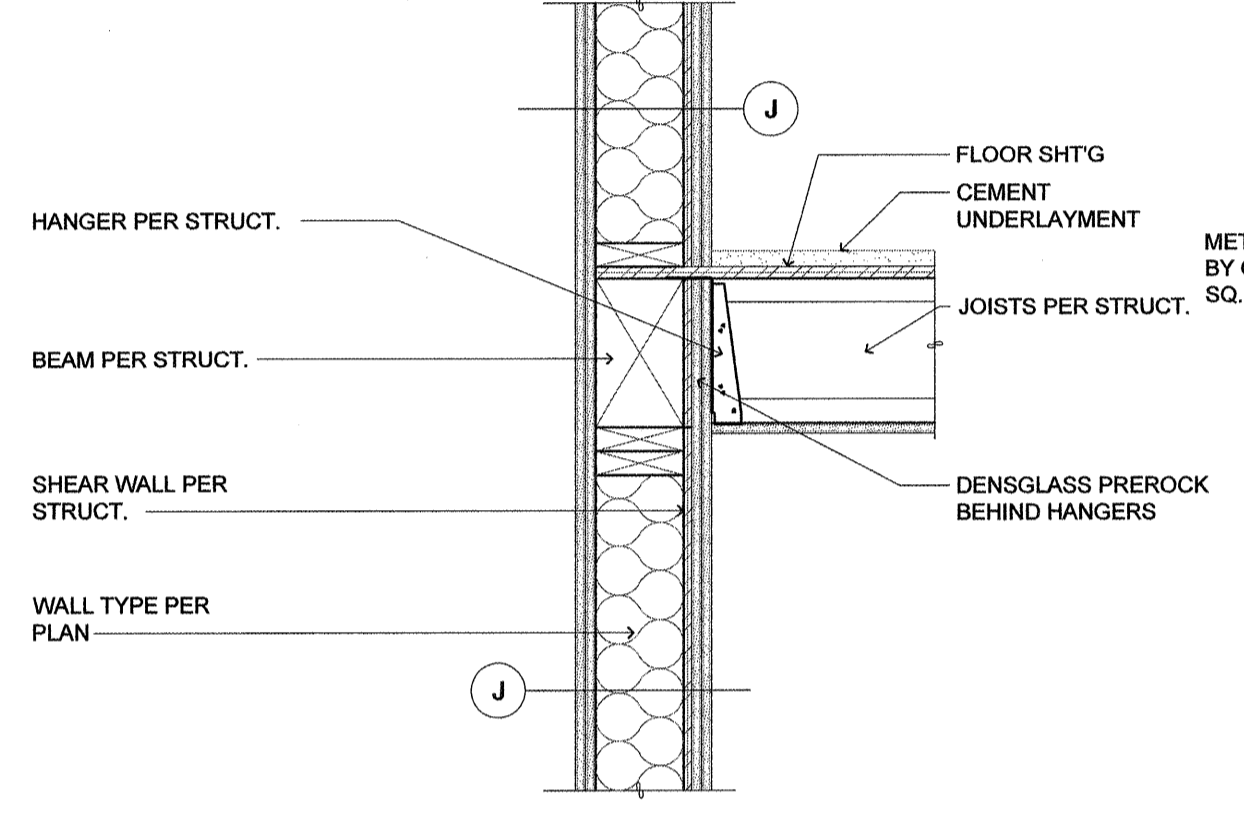
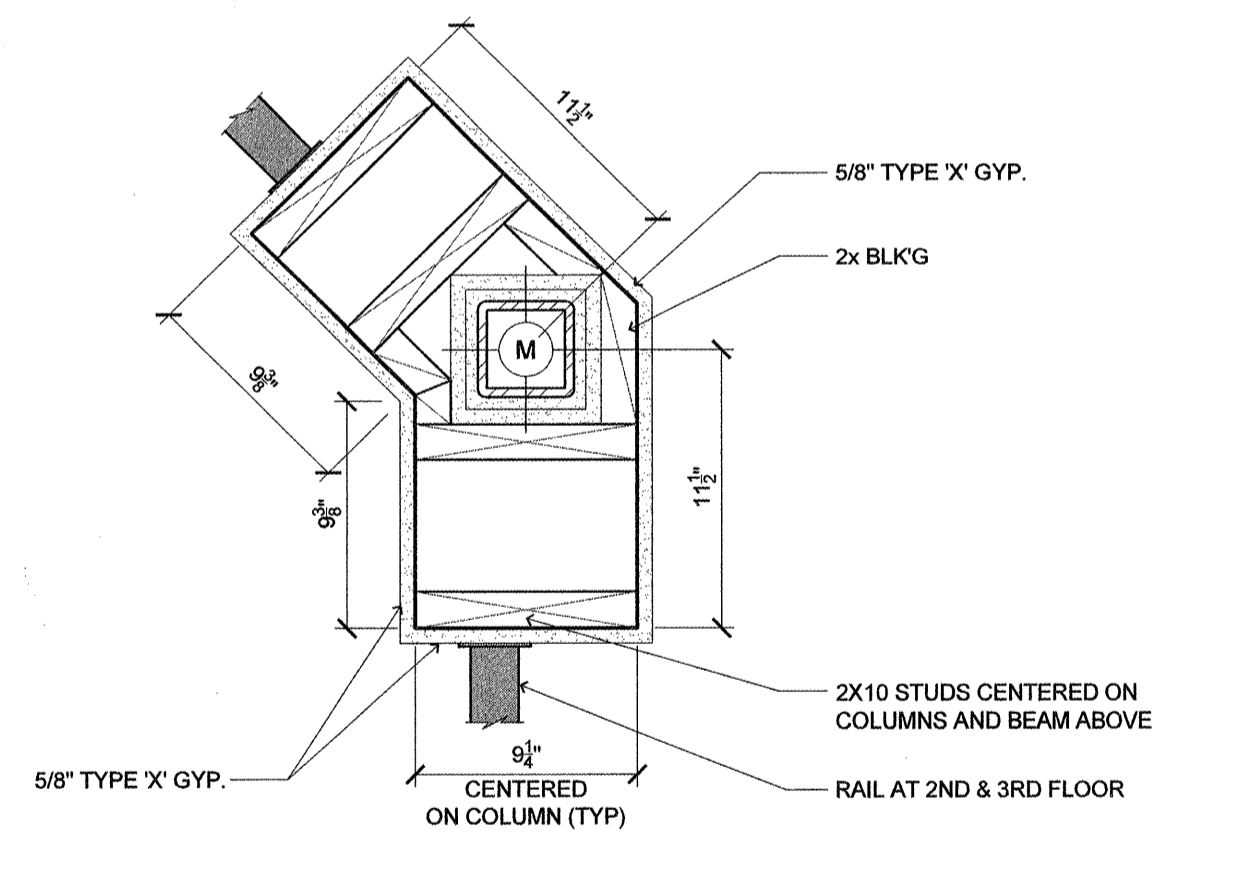


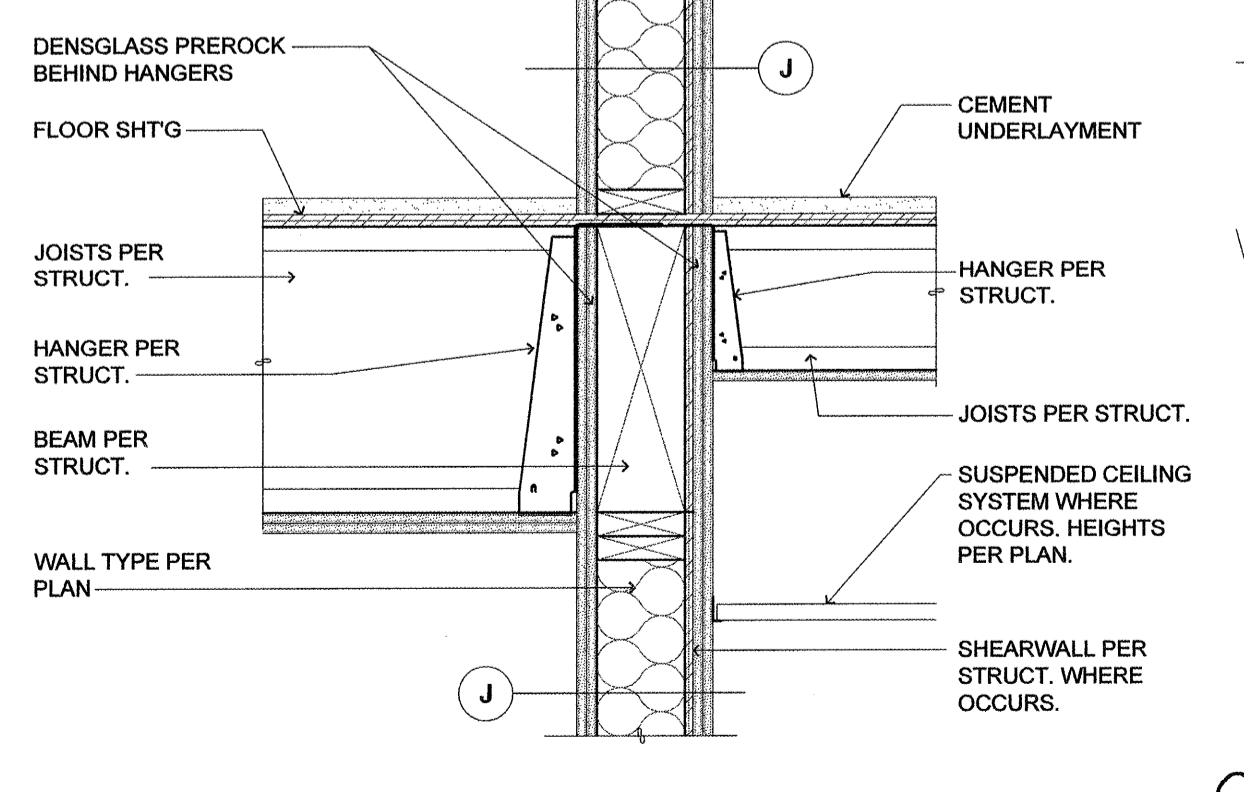
13 1 HOUR FIRE BARRIER (NON-BEARING)
SCALE: 1" = 1'-0"



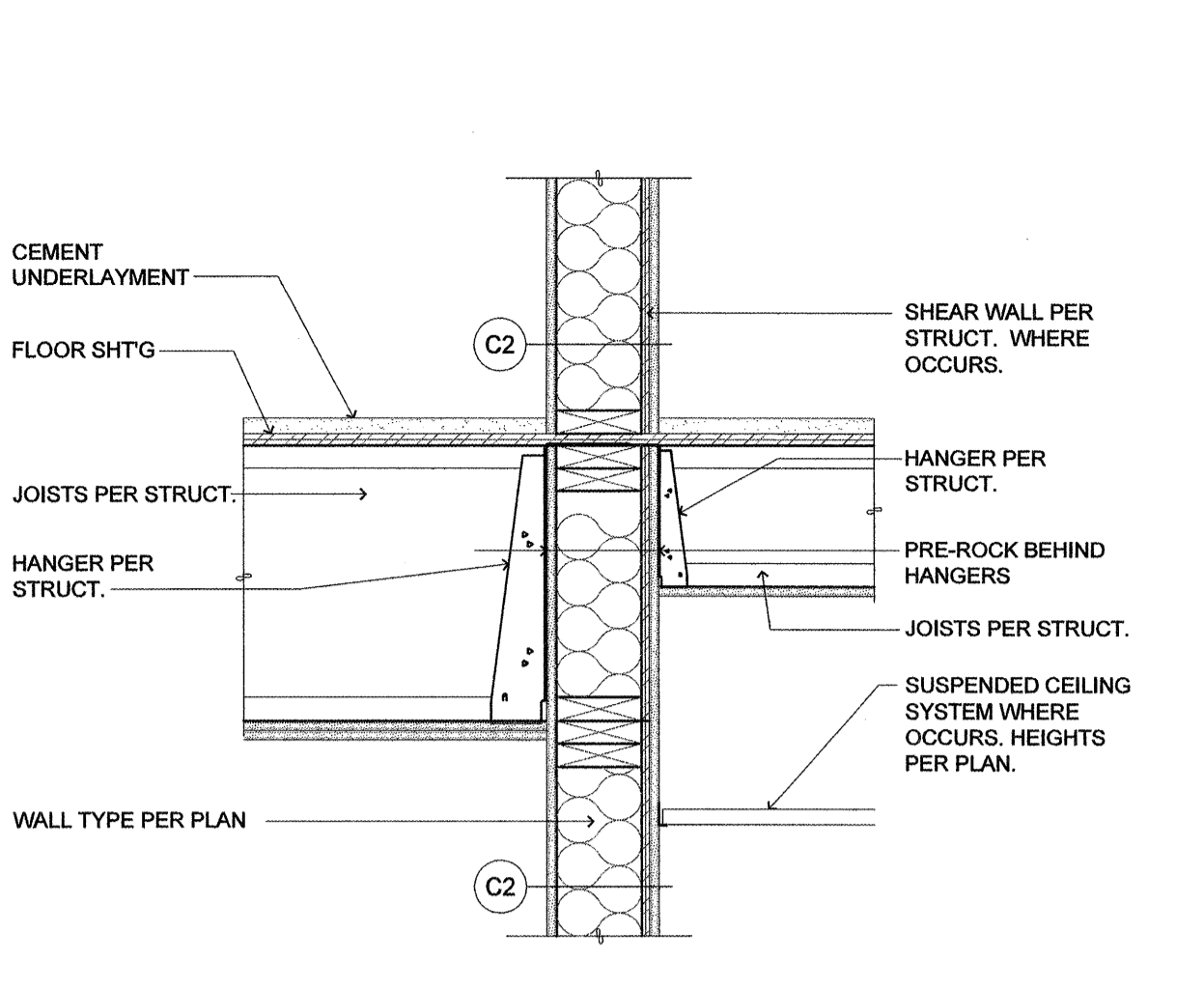
12 2 HOUR SEPARATION (LOAD BEARING)
SCALE: 1" = 1'-0"



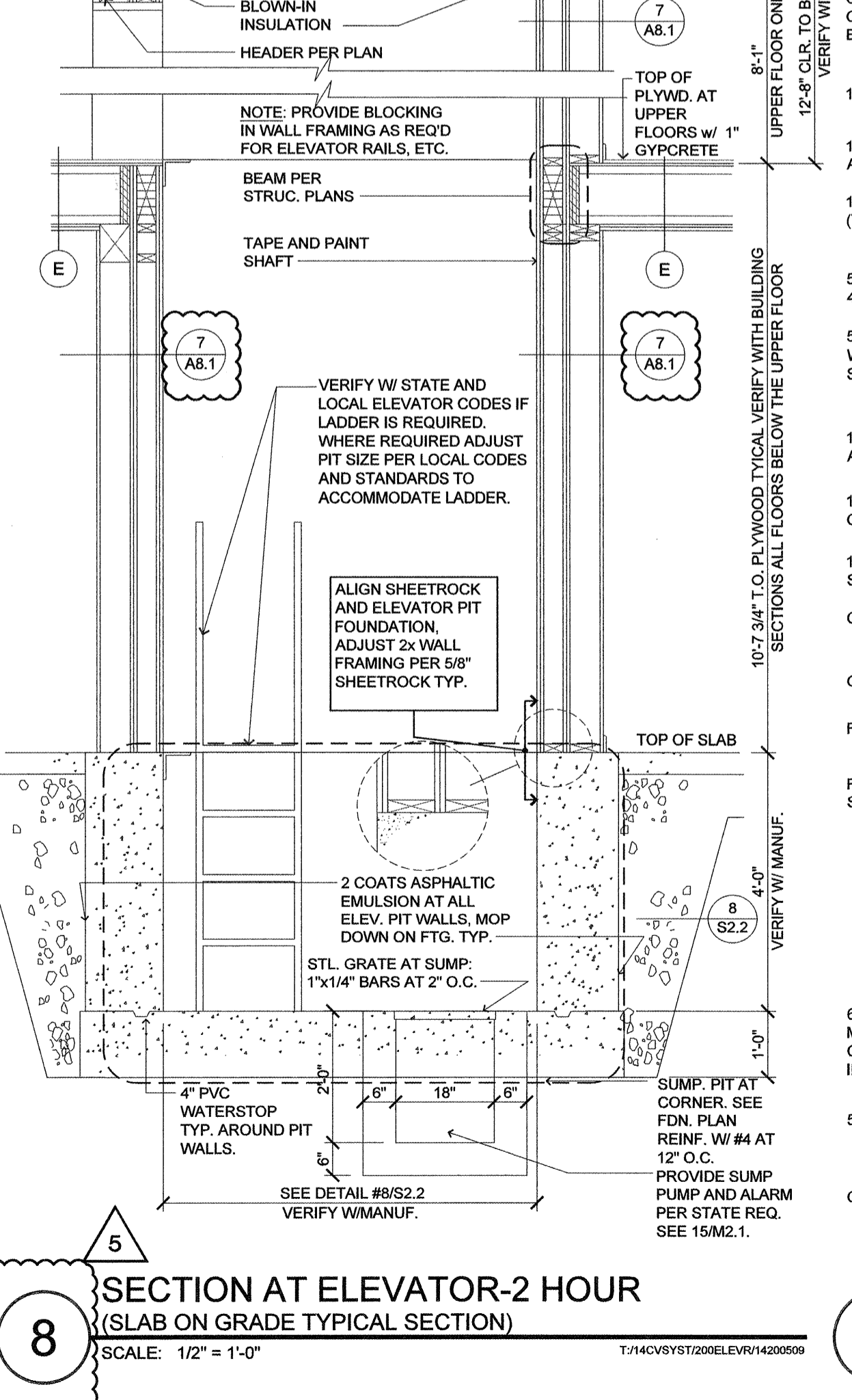
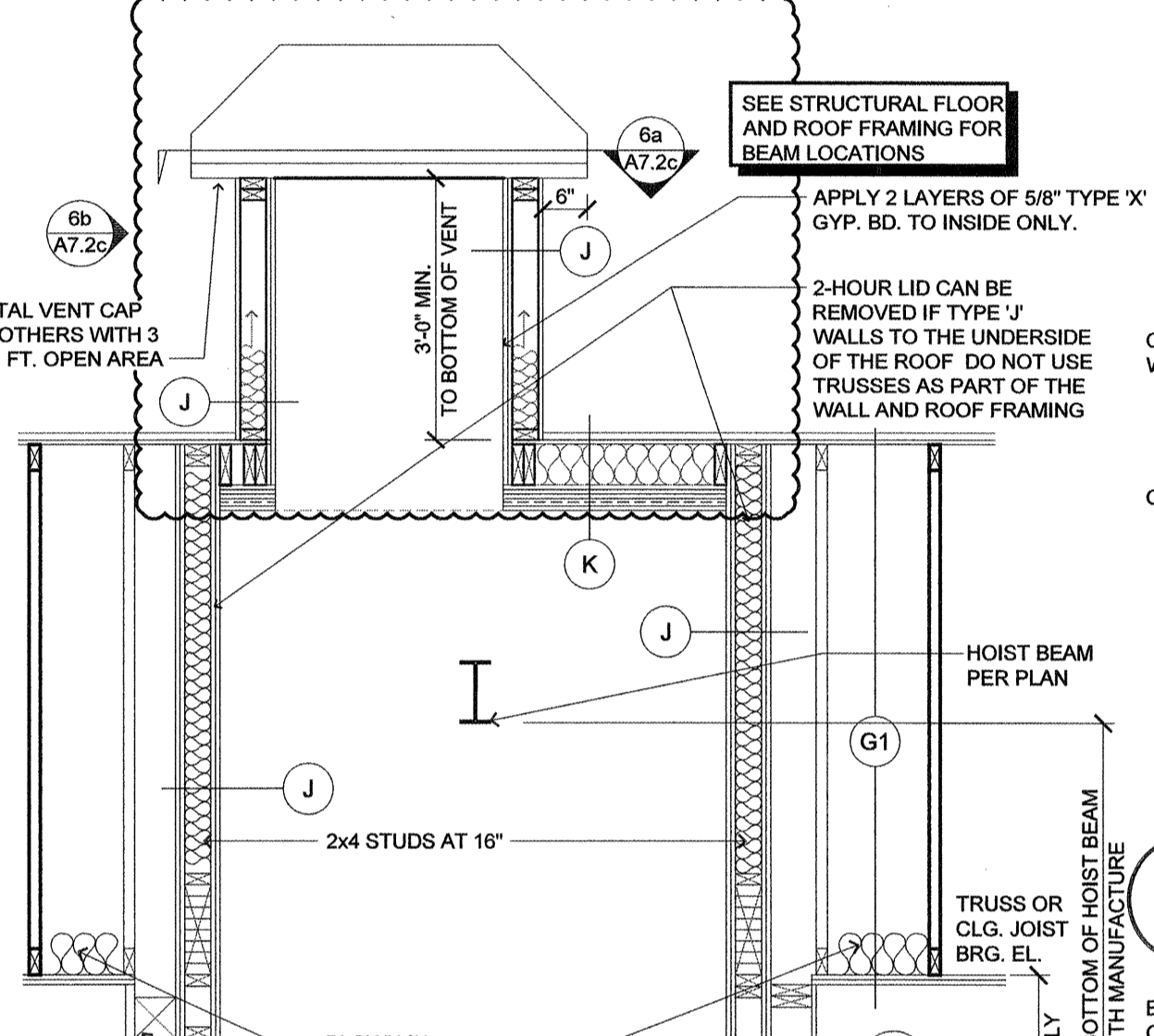
11 CORNER FRAMING (ATRIUM FRAMING)
SCALE: 1-1/2" = 1'-0"



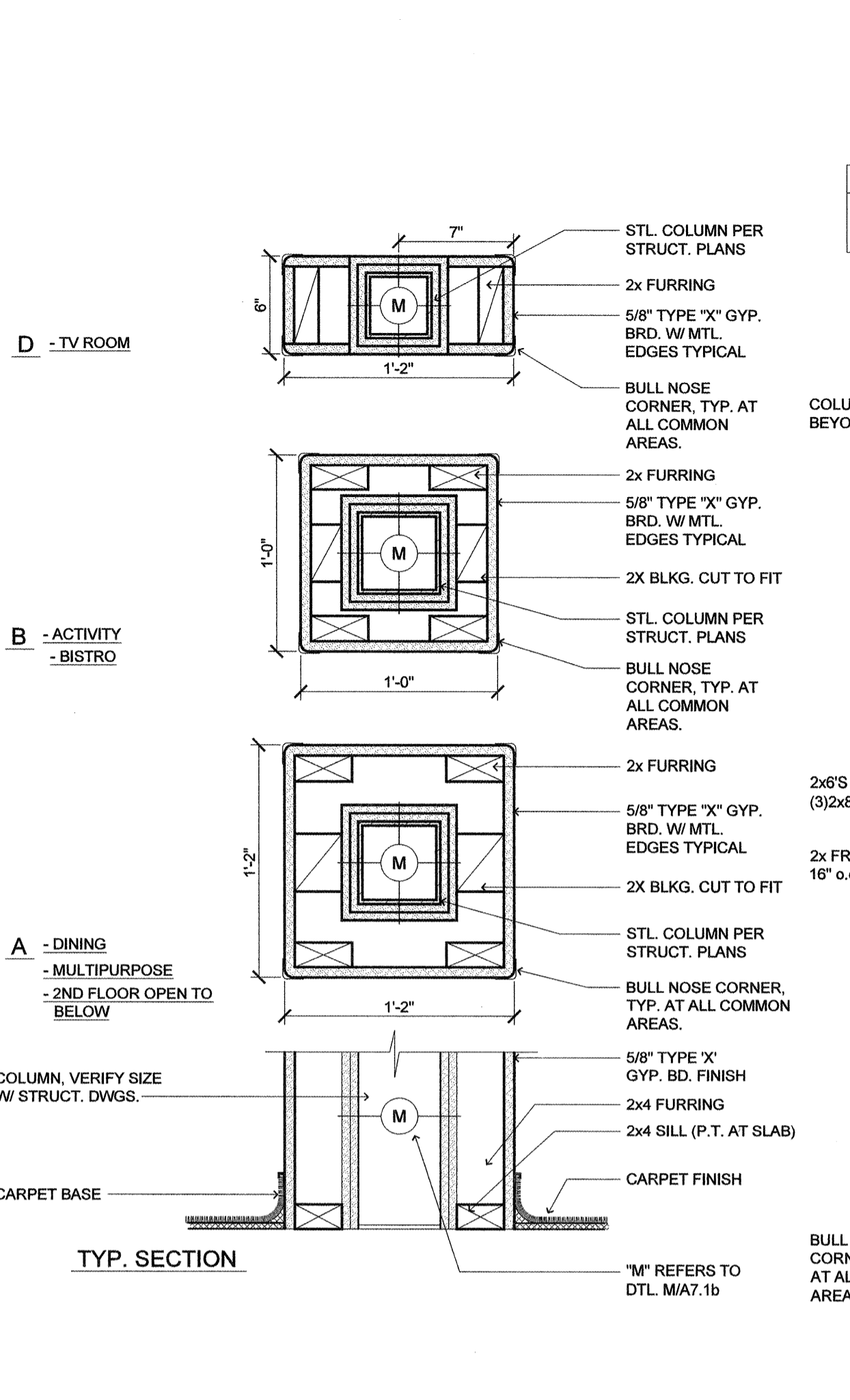
10 2 HOUR SEPARATION (LOAD BEARING PERP. TO JOIST)
SCALE: 1" = 1'-0"



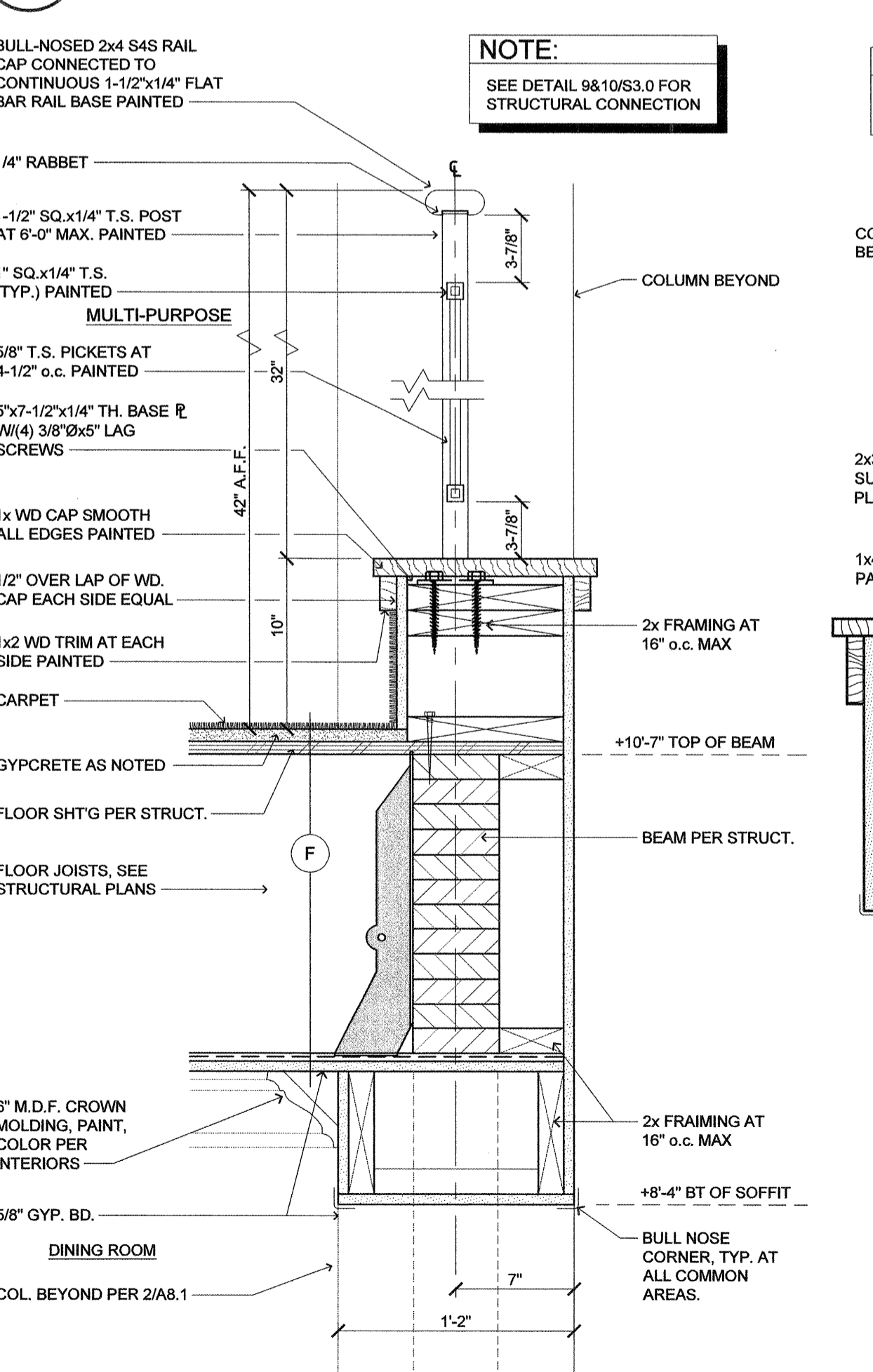
9 1 HOUR FIRE BARRIER (LOAD BEARING)
SCALE: 1" = 1'-0"



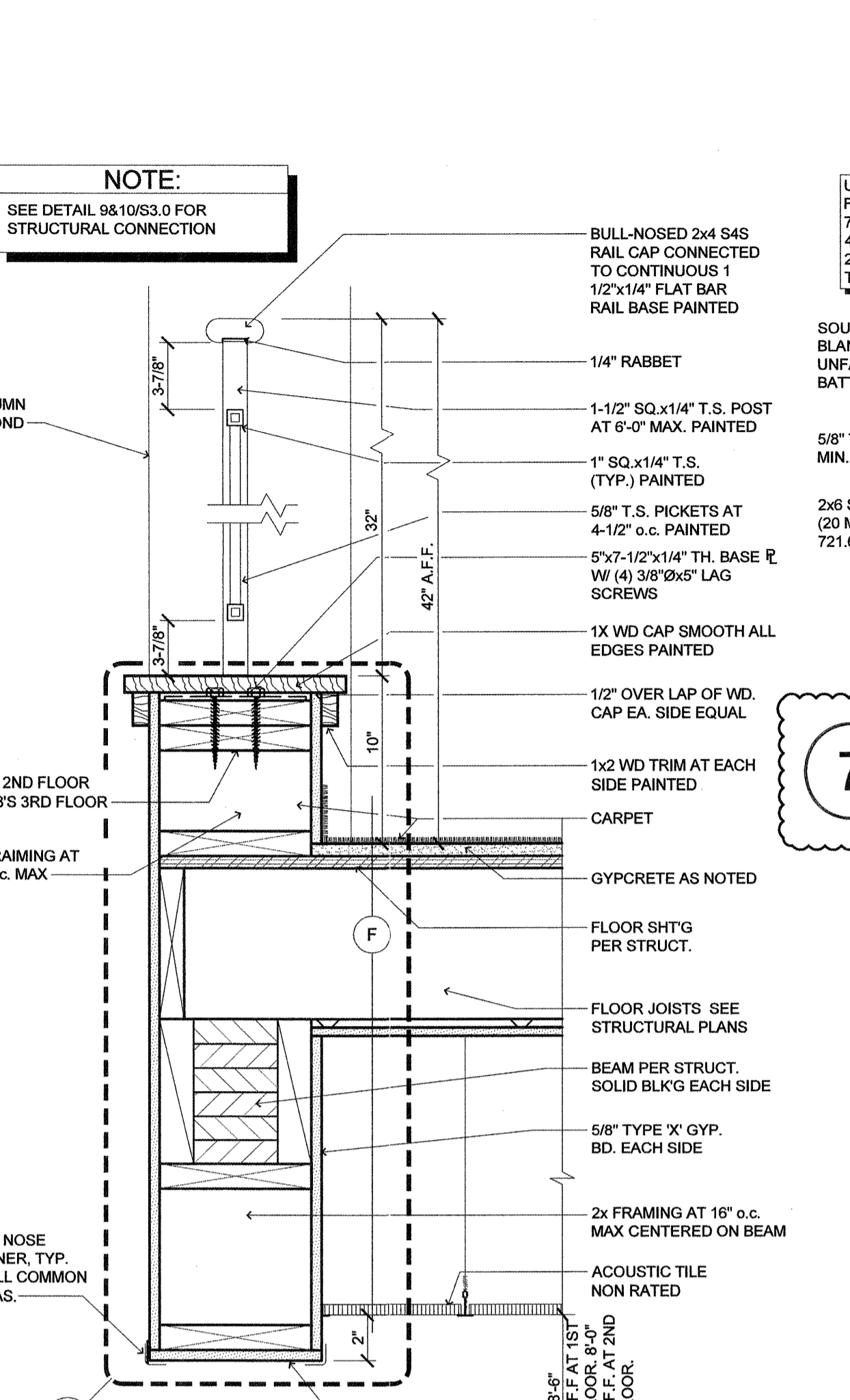
8 SECTION AT ELEVATOR-2 HOUR (SLAB ON GRADE TYPICAL SECTION)
SCALE: 1/2" = 1'-0"



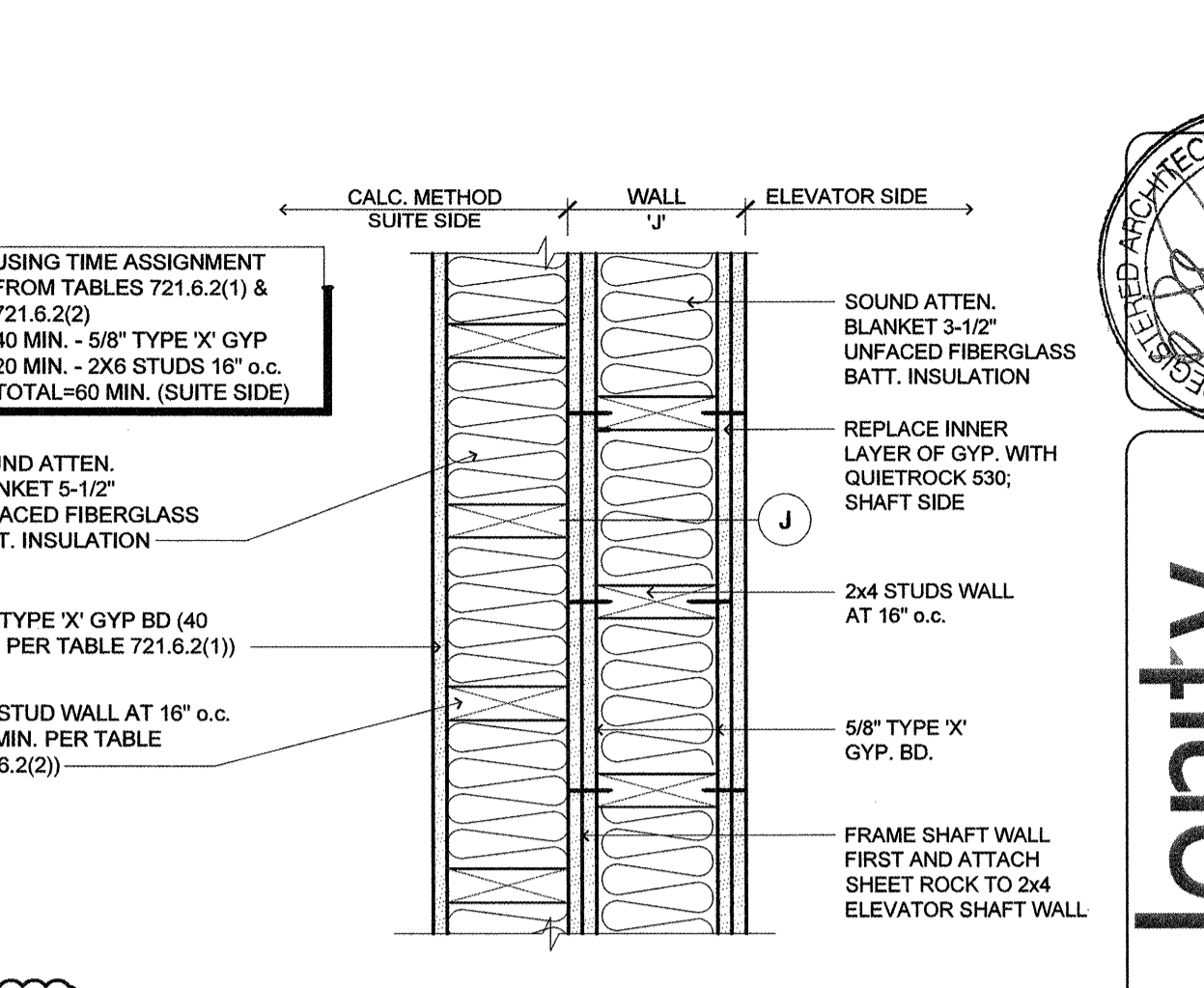
6 INTERIOR COLUMN (BUILT-UP CONSTRUCTION)
SCALE: 1-1/2" = 1'-0"



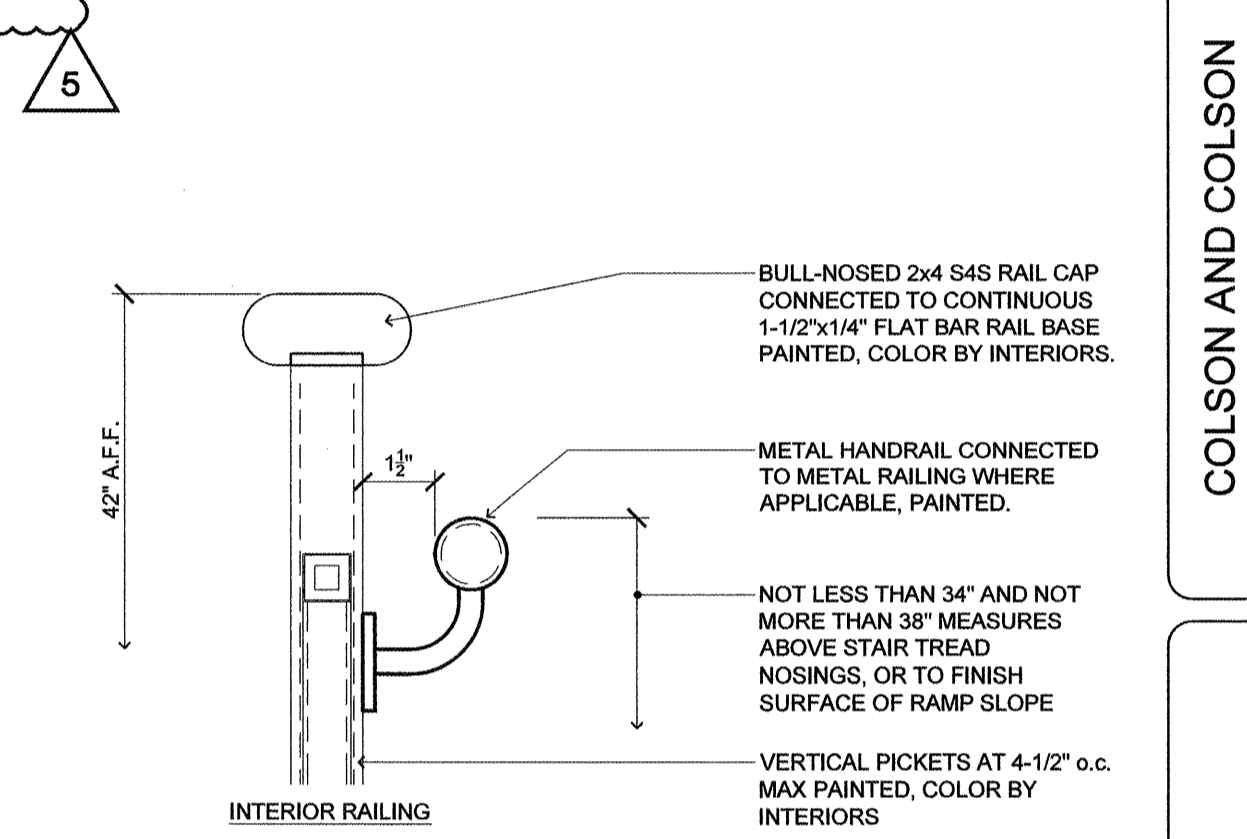
5 BALCONY (W/O PLANTER)
SCALE: 1-1/2" = 1'-0"



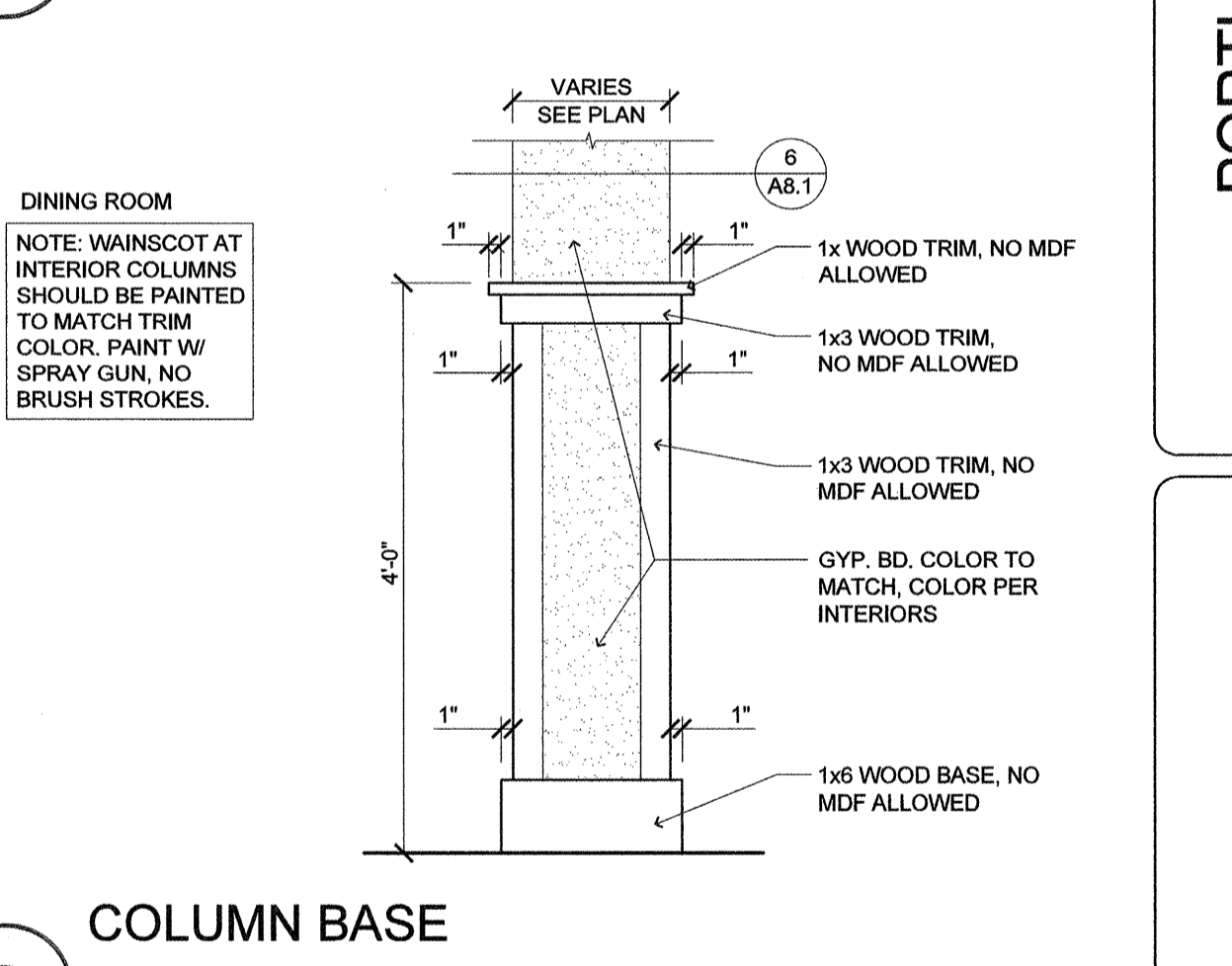
4 BALCONY (WITH PLANTER)
SCALE: 1-1/2" = 1'-0"



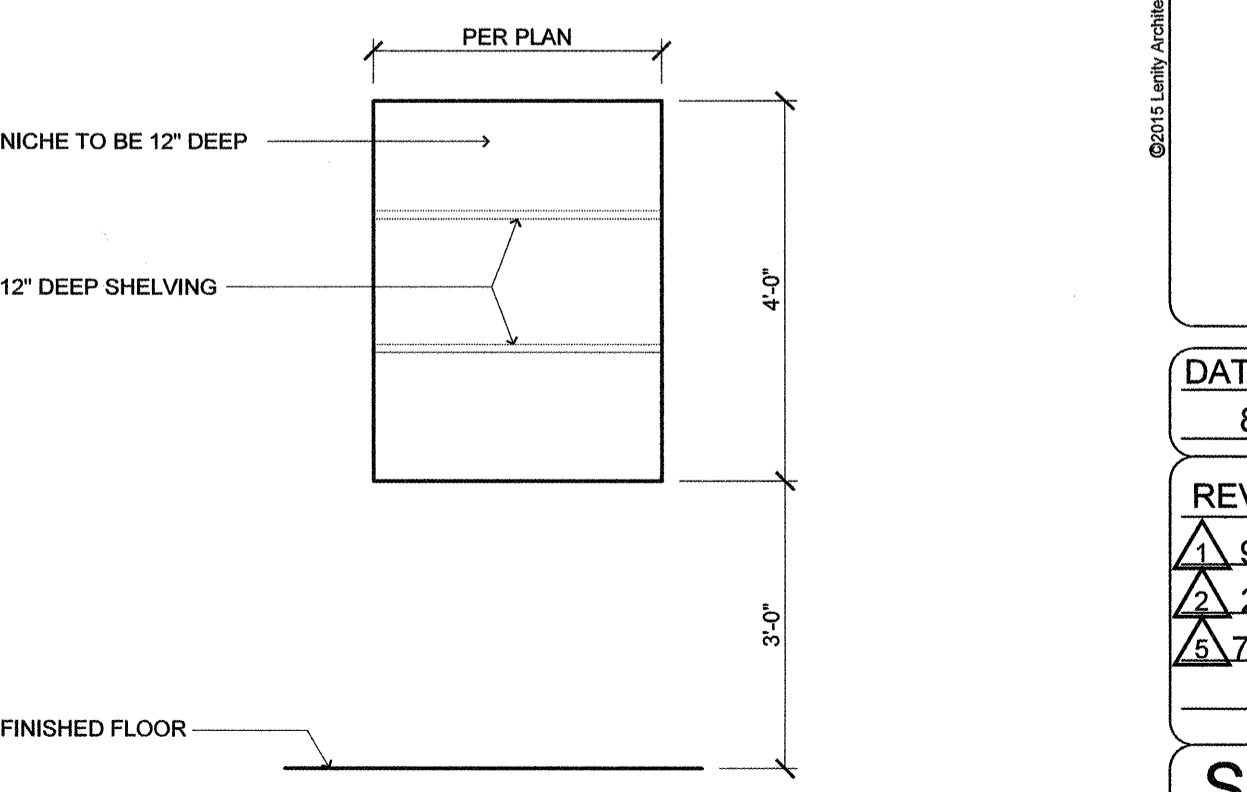
7 INT. WALL (DOUBLE WALL AT ELEVATOR-2 HOUR)
SCALE: 1-1/2" = 1'-0"



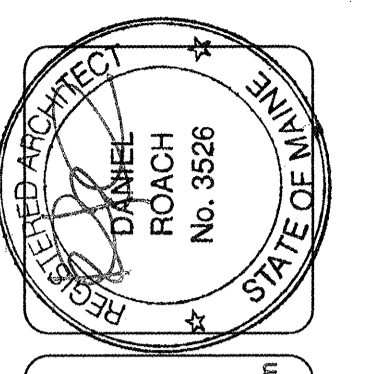
3 RAILING DETAIL (INTERIOR METAL RAILING)
SCALE: N.T.S.



2 COLUMN BASE
SCALE: 3/4" = 1'-0"



1 NICHE (ELEVATION)
SCALE: 1/2" = 1'-0"



lenity architecture
3150 Mettles Court SE, Salem, Oregon 97301
P 503 399 1090 F 503 399 0085 W lenityarchitecture.com

COLSON AND COLSON
GENERAL CONTRACTOR, INC.
2280 McGillchrist Street SE, Suite 200
Salem, Oregon, 97302
PHONE (503) 586-7401

PORTLAND RETIREMENT RESIDENCE
802 OCEAN AVE. PORTLAND, MAINE 04103

INTERIOR DETAILS

DATE: 8/28/2015
REVISED DATE: 9/22/2015, 2/2/2016, 7/18/2016

SHEET A8.1

8/28/2015 10:13 AM: isteamer_pfd202015 11:17 AM: jps: pld: http://www.colsonandcolson.com/interior_details/A8.1