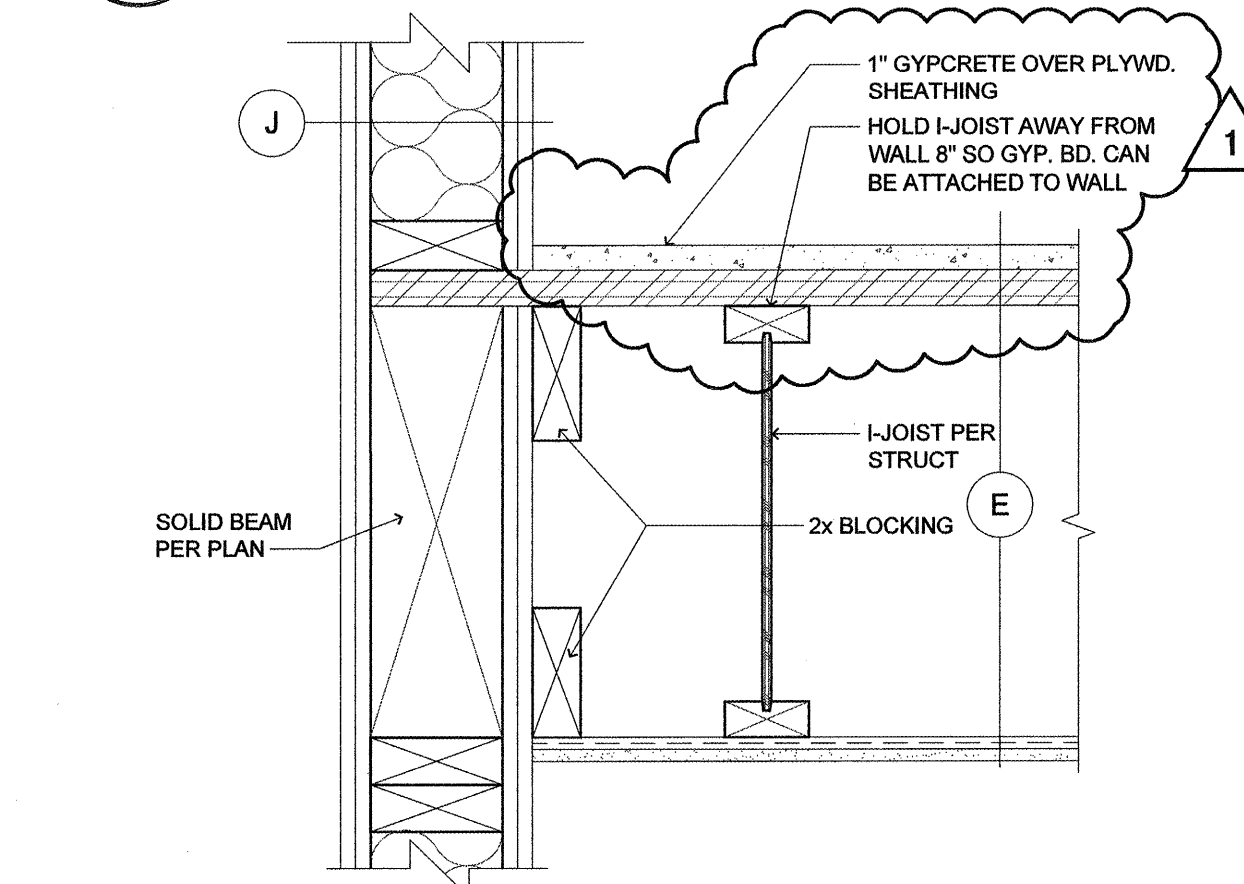
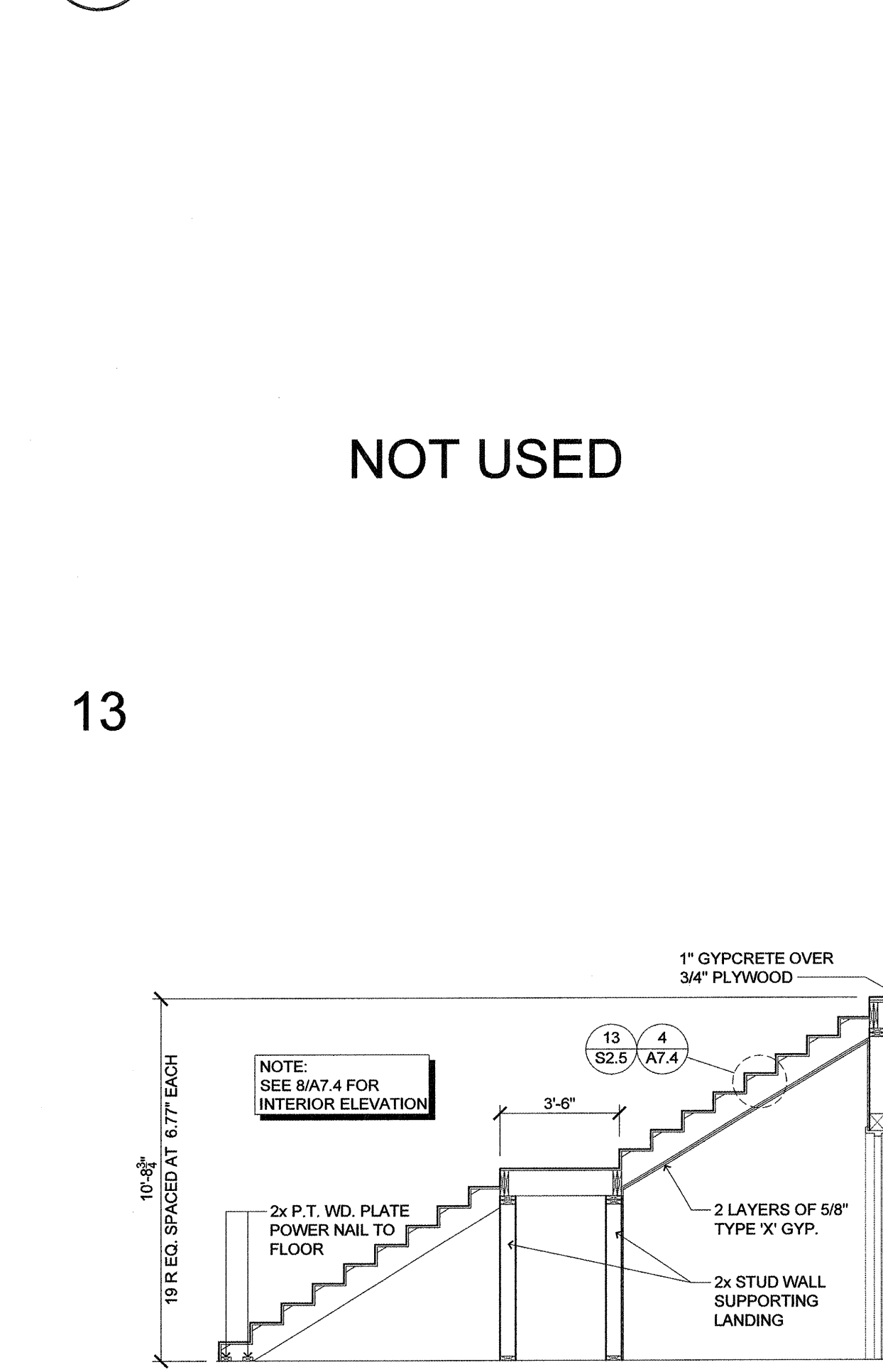


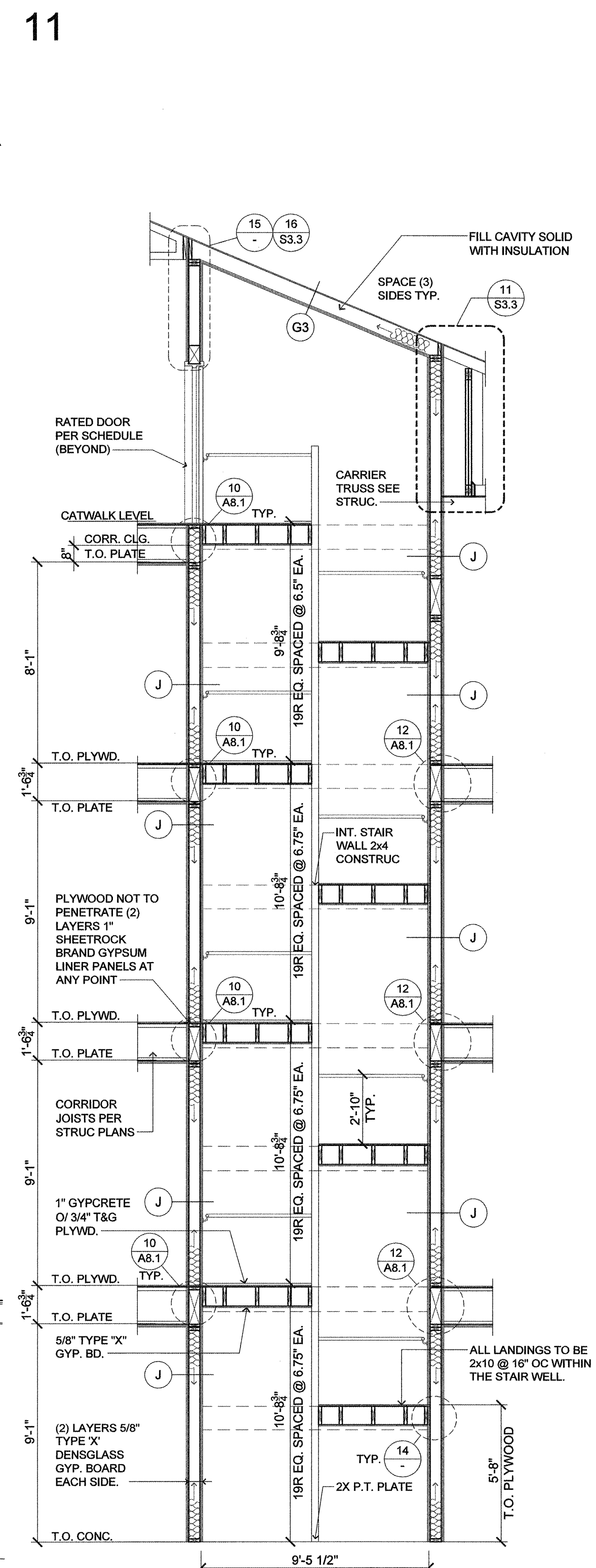
**15** FIRE RATING AT ROOF (STAIRWAY SHAFT WALL)  
SCALE: 1" = 1'-0"



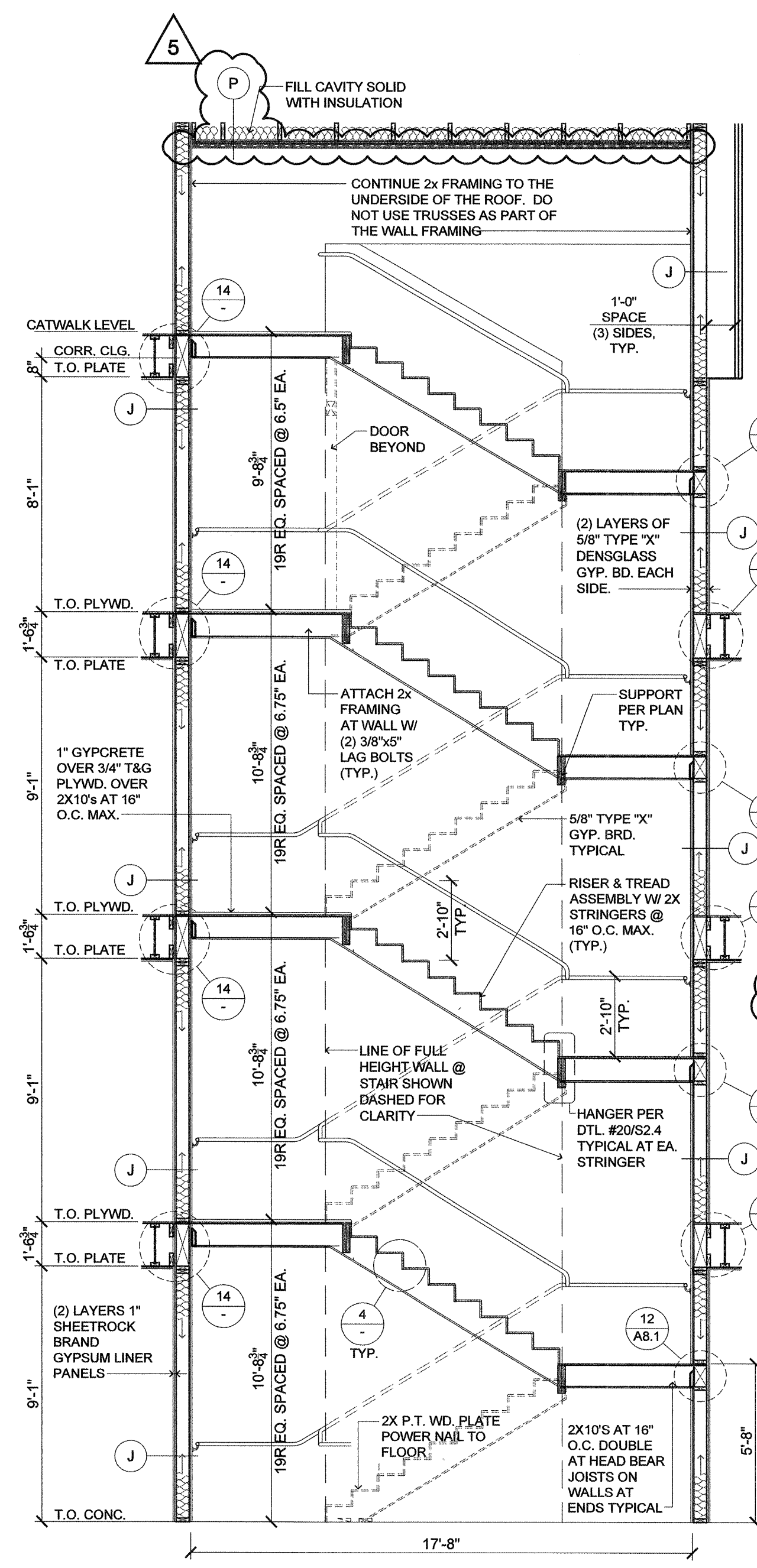
**14** FIRE RATING AT STAIR WALL (FLOOR FRAMING AT STAIR WALL)  
SCALE: 1-1/2" = 1'-0"



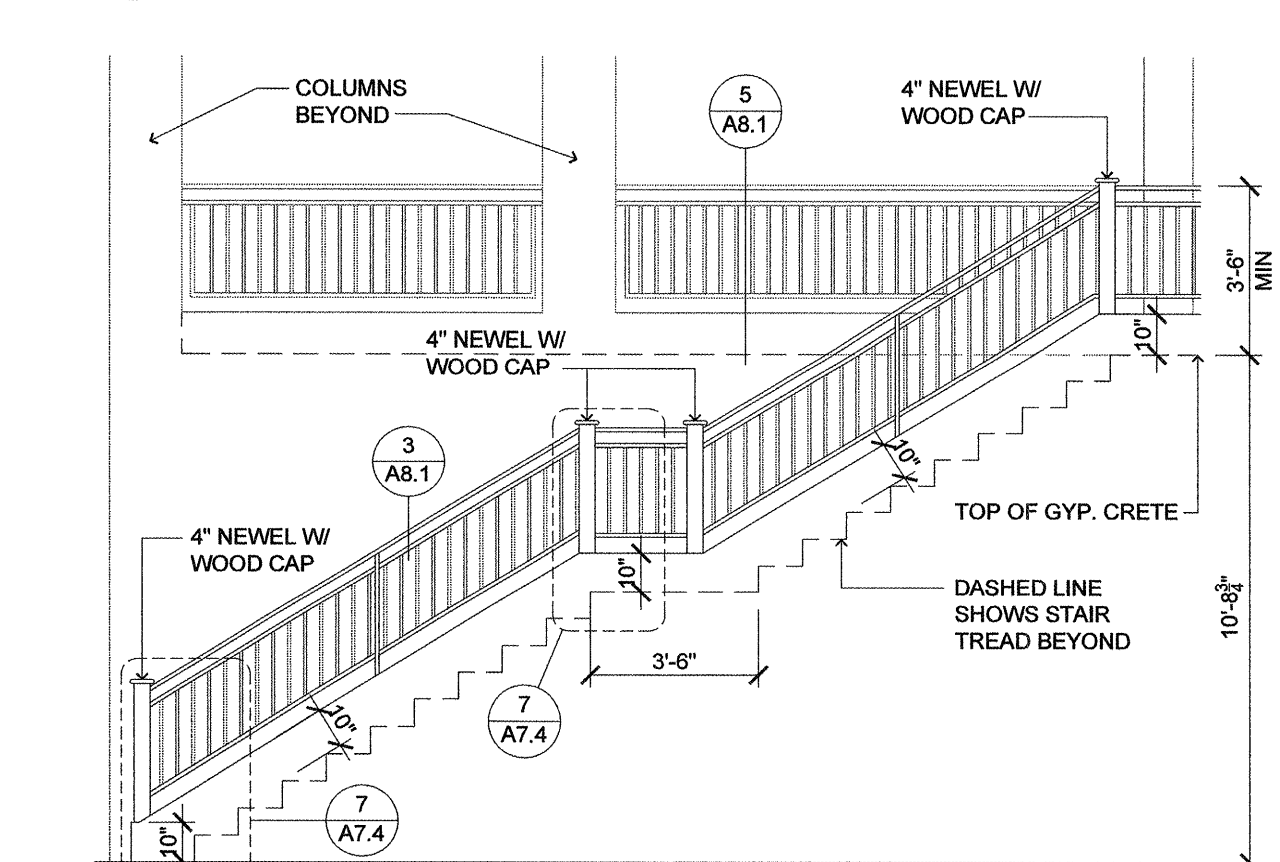
**12** STRUCTURAL STAIR SECTION (DINING ROOM STAIR - WOOD FRAMING)  
SCALE: 1/4" = 1'-0"



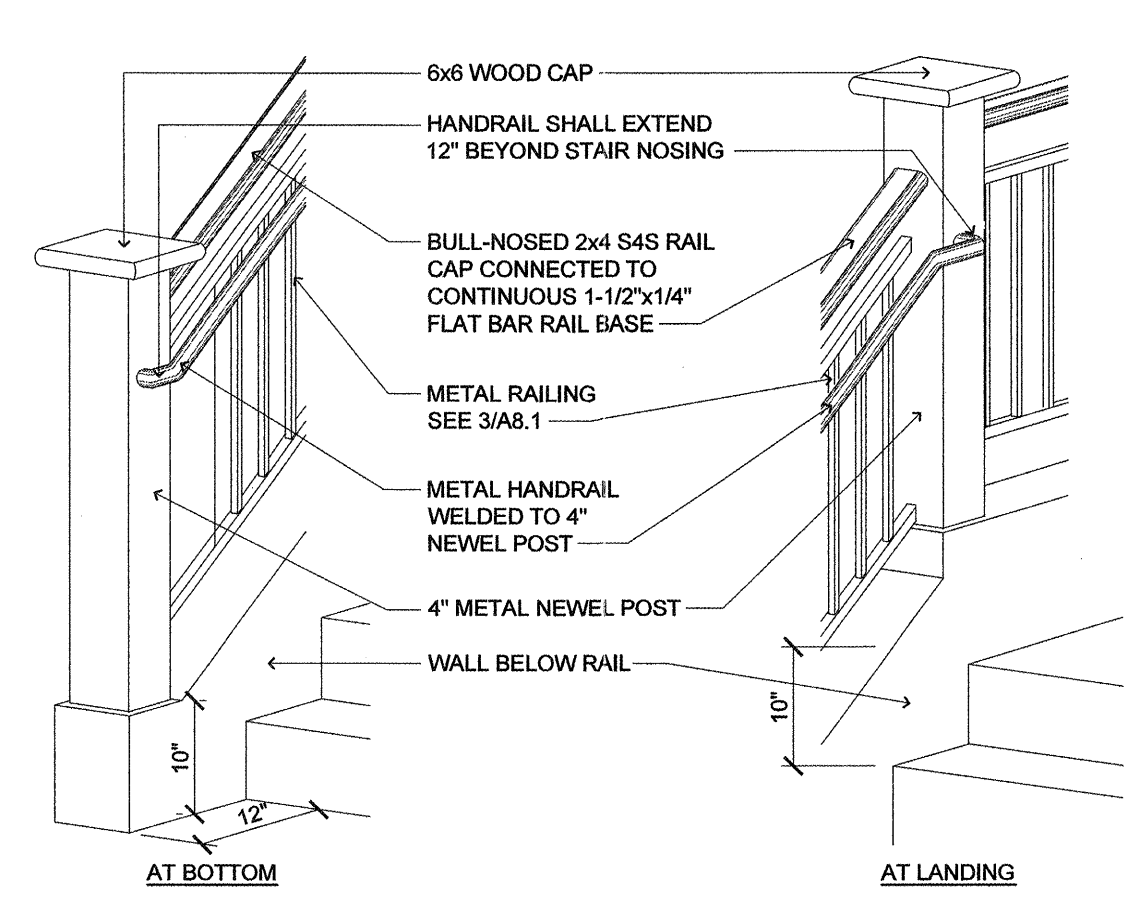
**10** STAIR SECTION (2-HOUR PERPENDICULAR TO CORRIDOR)  
SCALE: 1/4" = 1'-0"



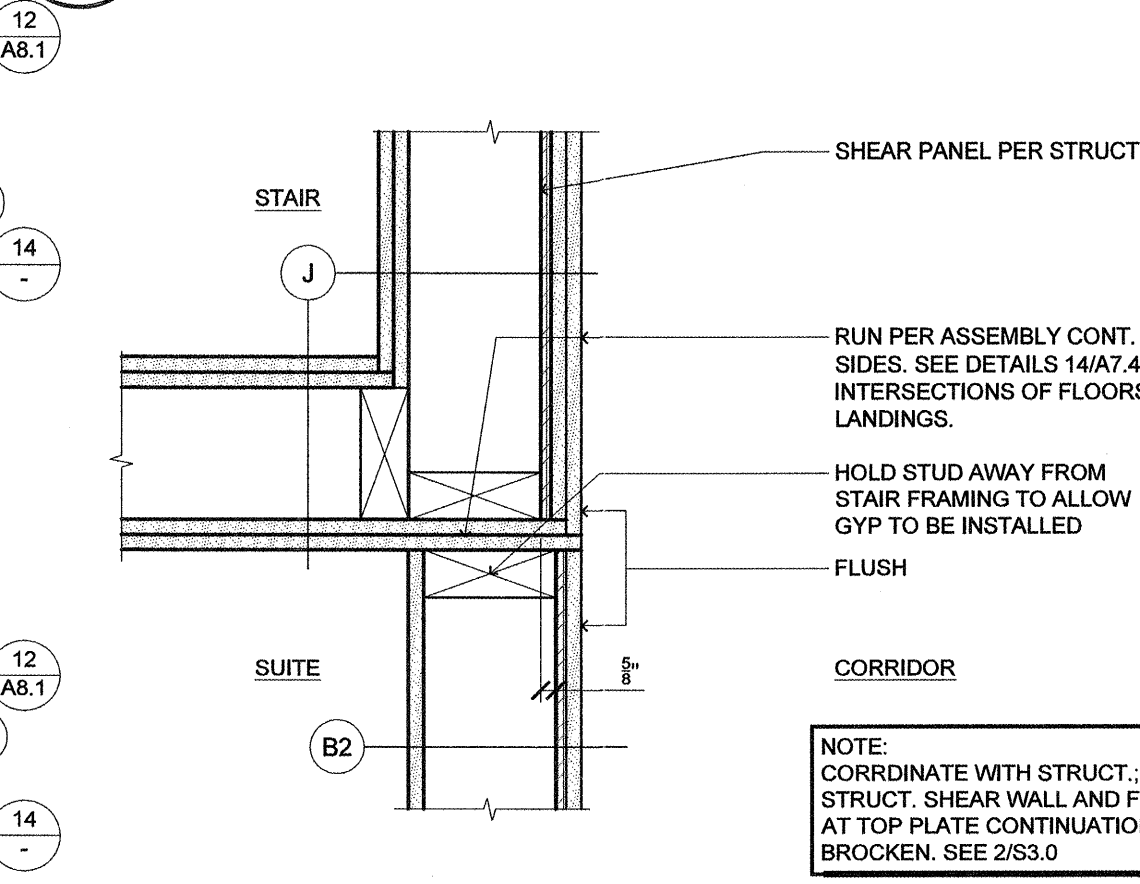
**9** INTERIOR STAIR SECTION (WOOD FRAMING, TYP @ 4-STORY WING ENDS)  
SCALE: 1/4" = 1'-0"



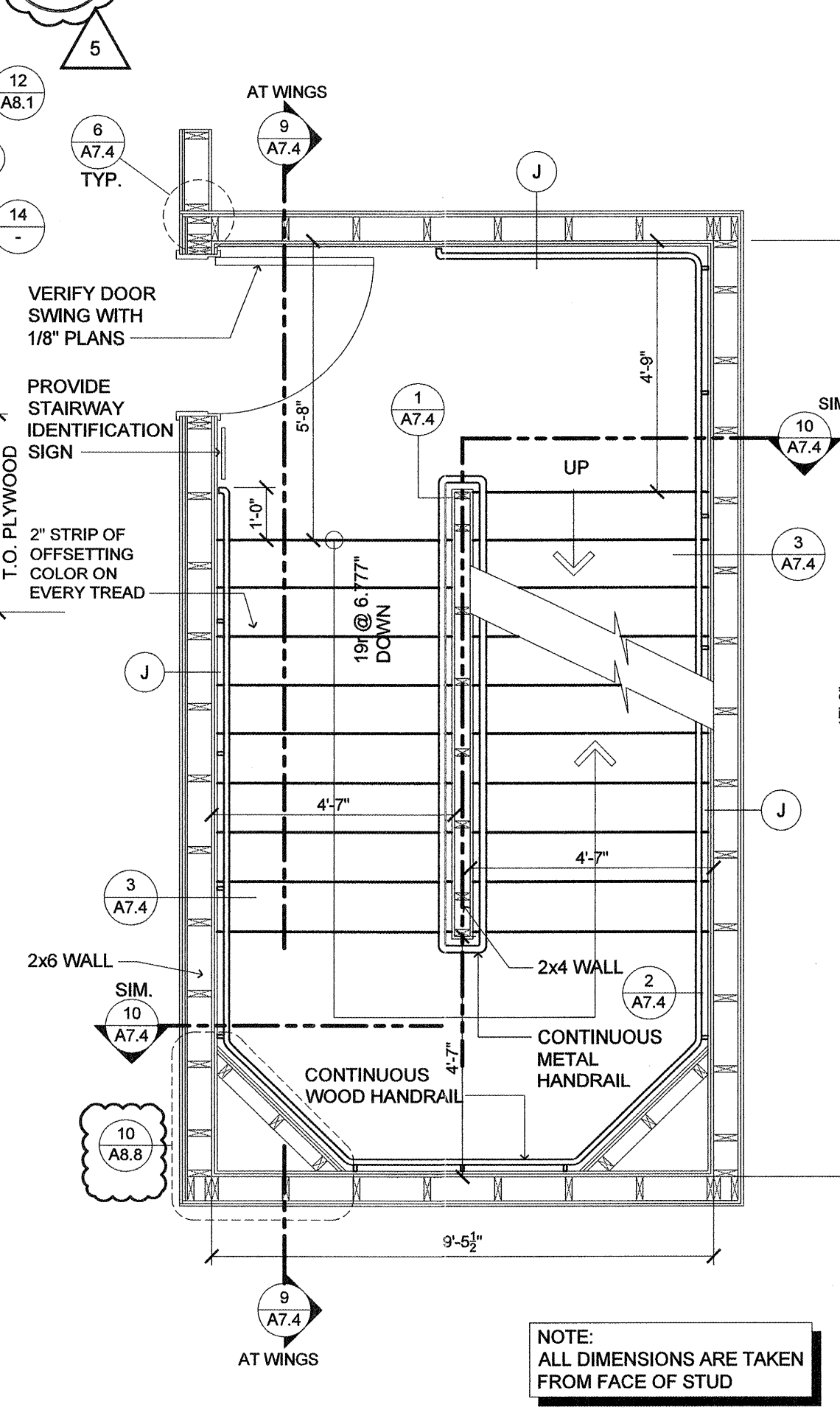
**8** INTERIOR ELEVATION (DINING ROOM STAIR)  
SCALE: 1/4" = 1'-0"



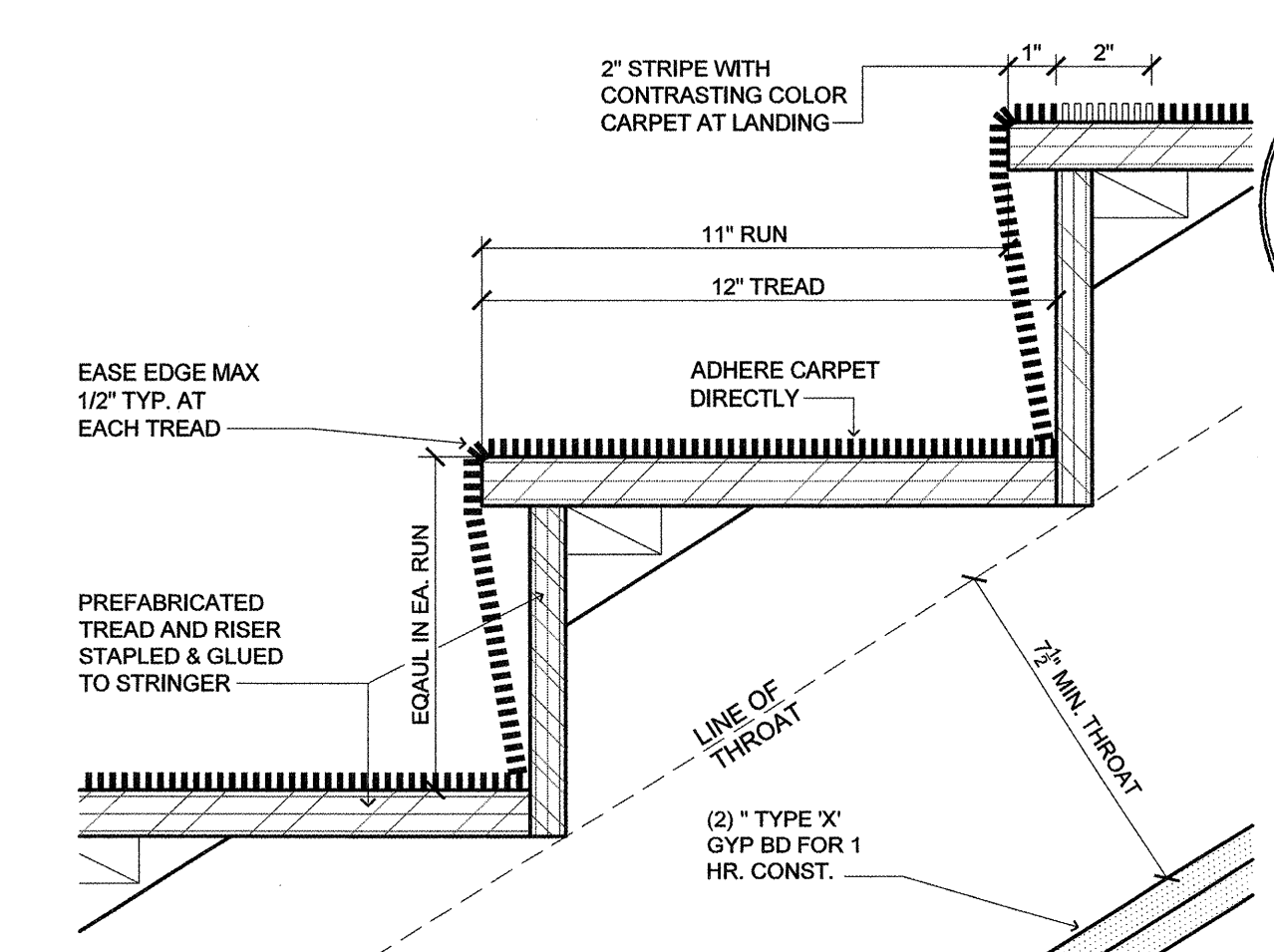
**7** RAILING AT STAIR (AT NEWEL POST)  
SCALE: 3/4" = 1'-0"



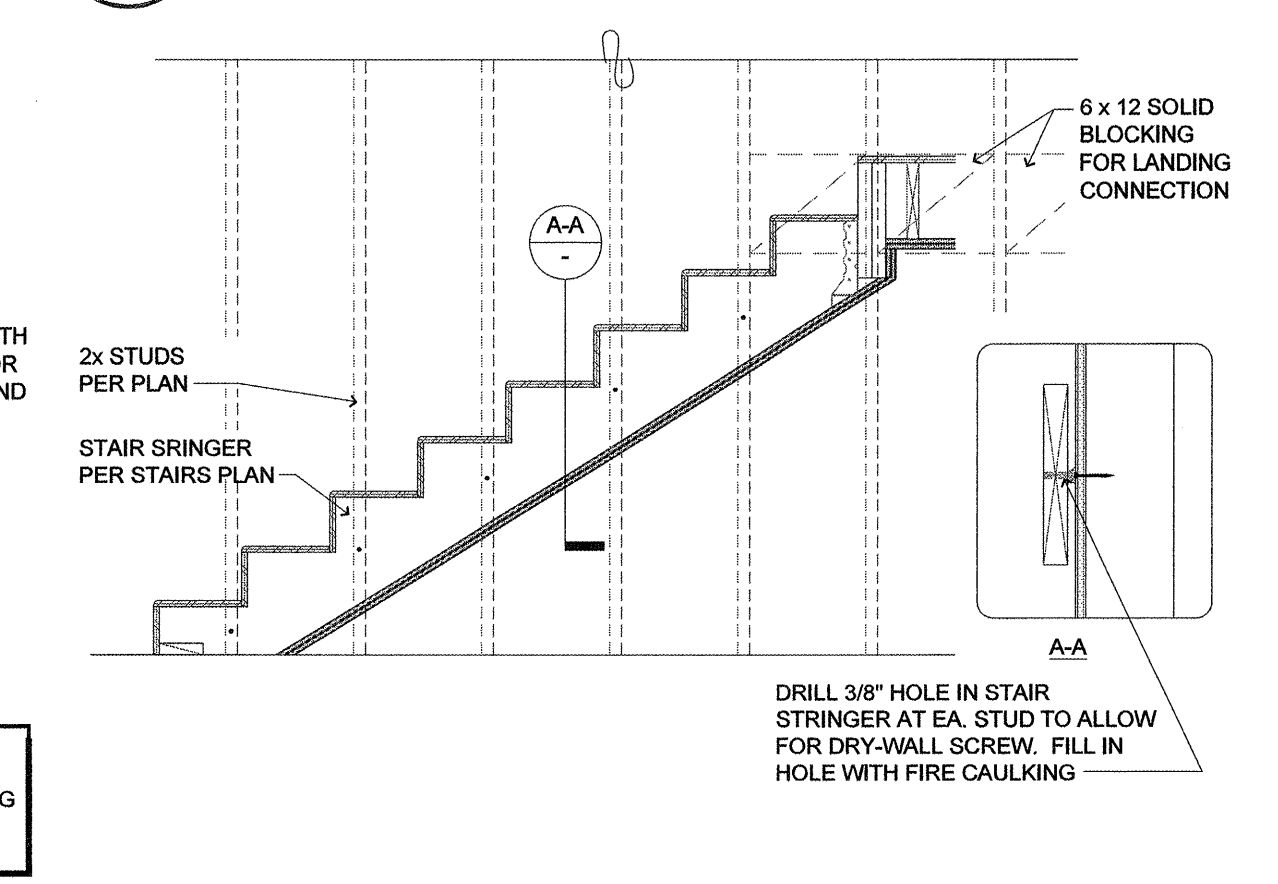
**6** FIRE RATING AT STAIR CORNERS (1 HOUR CORRIDOR TO 2 HOUR STAIR)  
SCALE: 1-1/2" = 1'-0"



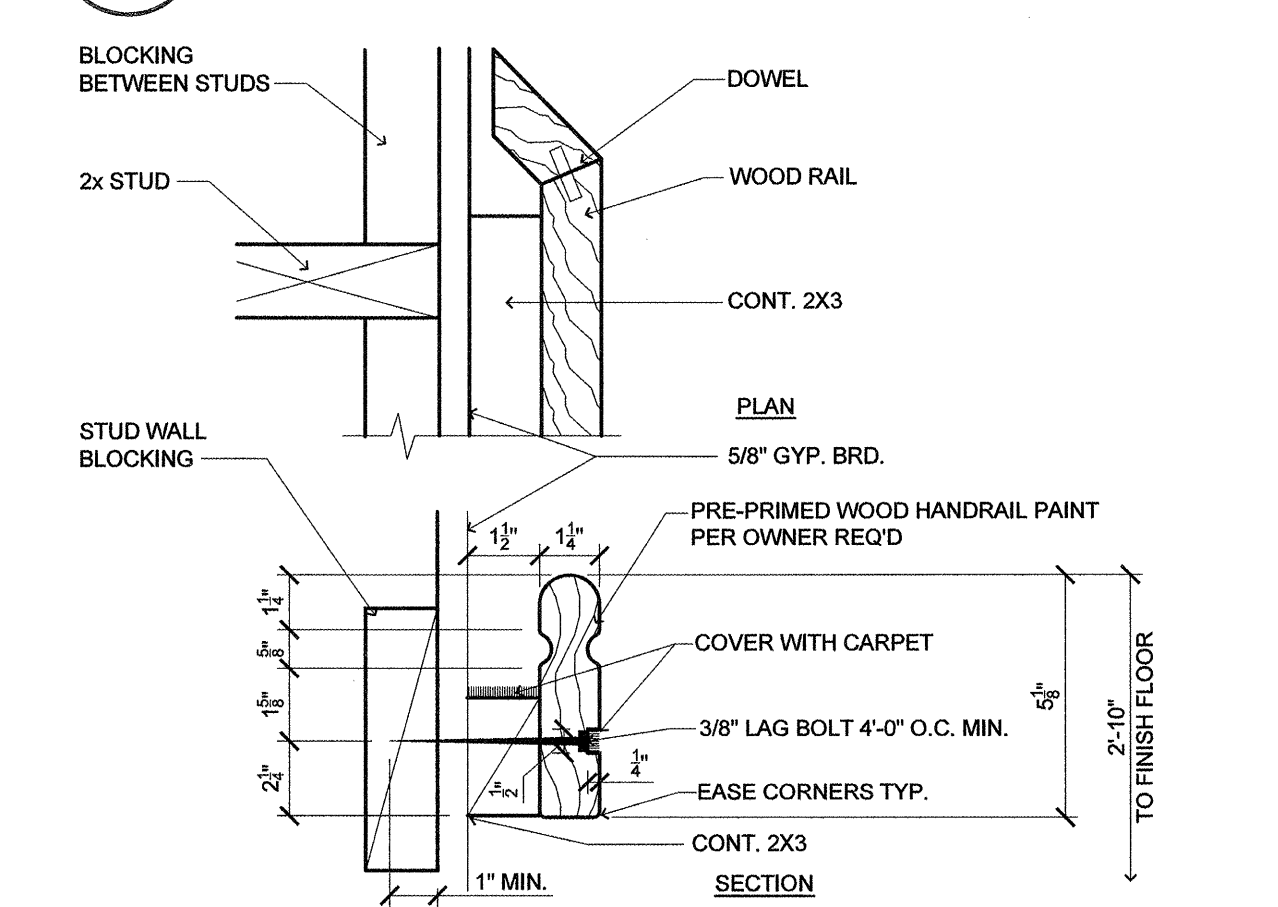
**5** INTERIOR STAIR PLAN (WOOD FRAMING - TYPICAL)  
SCALE: 3/8" = 1'-0"



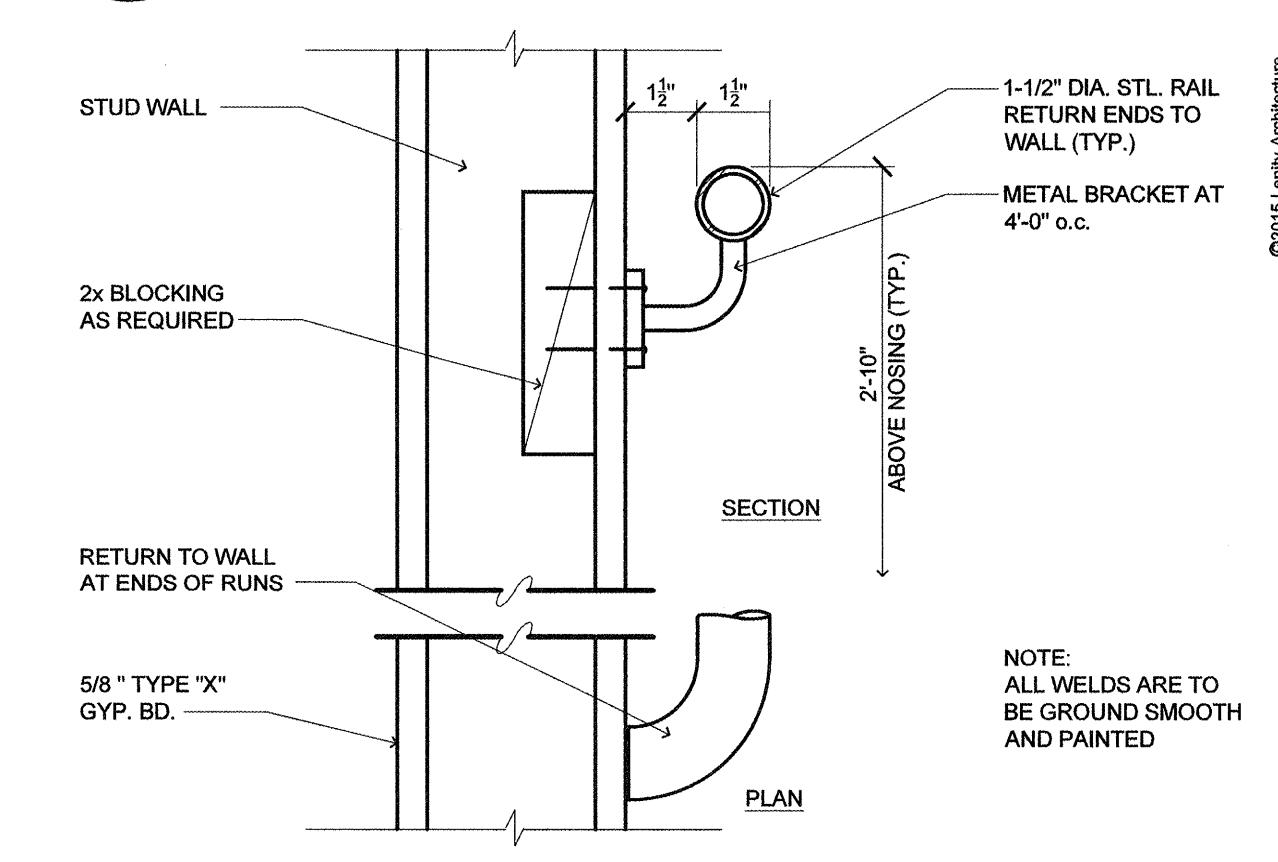
**4** TYPICAL STAIR TREAD (CARPETED STAIRS)  
SCALE: 3" = 1'-0"



**3** INTERIOR STAIR SECTION (DRYWALL CONNECTION BEHIND STRINGER)  
SCALE: 1/2" = 1'-0"



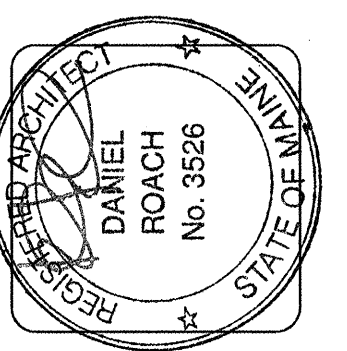
**2** CORRIDOR / STAIRWELL HANDRAIL (WOOD RAILING)  
SCALE: 3" = 1'-0"



**1** STAIR HANDRAIL (STEEL RAILING)  
SCALE: 3" = 1'-0"

NOT USED

NOT USED



**lenity** architecture  
3150 Wells Ave. SE, Salem, Oregon 97301  
P: 503.399.1030 F: 503.399.0565 W: lenityarchitecture.com

**COLSON AND COLSON**  
GENERAL CONTRACTOR, INC.  
2280 McILCHRIST STREET SE, SUITE 200  
SALEM, OREGON, 97302  
PHONE (503) 586-7401

**PORTLAND**  
RETIREMENT RESIDENCE  
802 OCEAN AVE. PORTLAND, MAINE 04103

**STAIR DETAILS**  
A7.4

DATE	8/28/2015
REVISED DATE	9/22/2015
	2/2/2016
	7/18/2016

**SHEET**  
A7.4