

**lenity**  
architecture  
3150 Kettle Court SE, Salem, Oregon 97301  
P 503 398 1090 F 503 999 0585 wlenityarchitecture.com

**COLSON AND COLSON**  
GENERAL CONTRACTOR, INC.  
2260 McGILCHRIST STREET SE, SUITE 200  
SALEM, OREGON, 97302  
PHONE (503) 586-7401

**PORTLAND**  
RETIREMENT RESIDENCE  
802 OCEAN AVE. PORTLAND, MAINE 04103

**CEMENT SIDING**  
EXT. BUILDING  
DETAILS

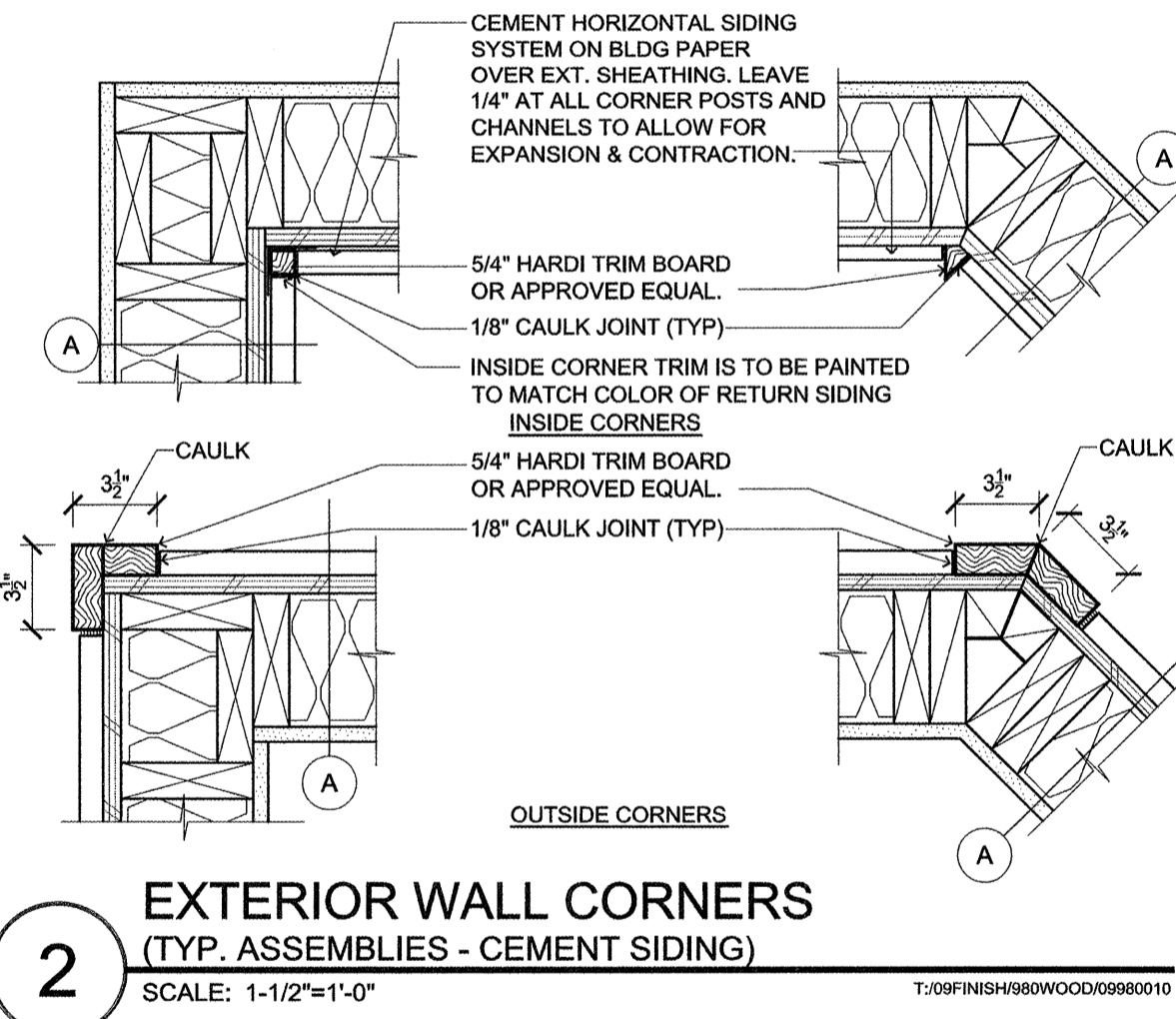
DATE  
8/28/2015  
REVISED DATE  
9/22/2015  
2/2/2016  
7/18/2016

**SHEET**  
A6.4

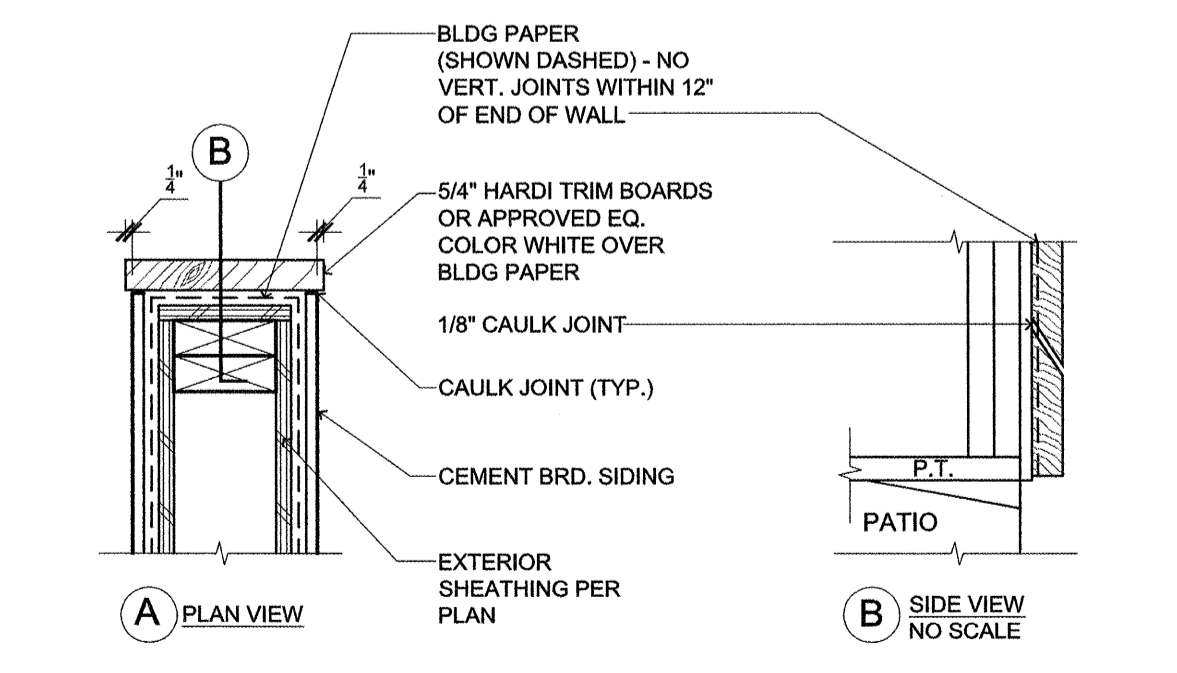
| KEY NOTES/COLORS |   |
|------------------|---|
| 1                | = ARCH. COMP. 25 YR. ELK COLOR: WEATHERWOOD   |
| 2                | = CEMENT BOARD SIDING POP OUTS COLOR: JAMES HARDIE - MOUNTAIN SAGE                                      |
| 3                | = CEMENT BOARD SIDING COLOR: JAMES HARDIE - HEATHERED MOSS  |
| 4                | = SHINGLE SIDING (EAVES) COLOR: JAMES HARDIE - AUTUMN TAN   |
| 5                | = TRIM BOARD COLOR: JAMES HARDIE - WHITE  |
| 6                | = VINYL FRAMED INSULATED WINDOWS W/TRIM COLOR: WHITE  |
| 7                | = 2x8 FASCIA W/CONT. GUTTER COLOR: WHITE  |
| 8                | = PRE-MANUFACTURED ALUMINUM RAILING, COLOR: WHITE   |
| 9                | = TRIANGLE GABLE VENTS COLOR: WHITE   |
| 10               | = CORONADO STONE PRODUCTS ITALIAN VILLA STONE-SILL OF STONE TO MATCH COLUMN STONE HEIGHT. COLOR: VERONA |
| 11               | = 60 MIL DEC TEC GUARDIAN MEMBRANE COLOR: BRICK   |
| 12               | = PTAC COLOR: TO MATCH ADJACENT BUILDING COLOR, TYP.  |
| 13               | = CEMENT BOARD SIDING COLOR: JAMES HARDIE - AUTUMN TAN  |



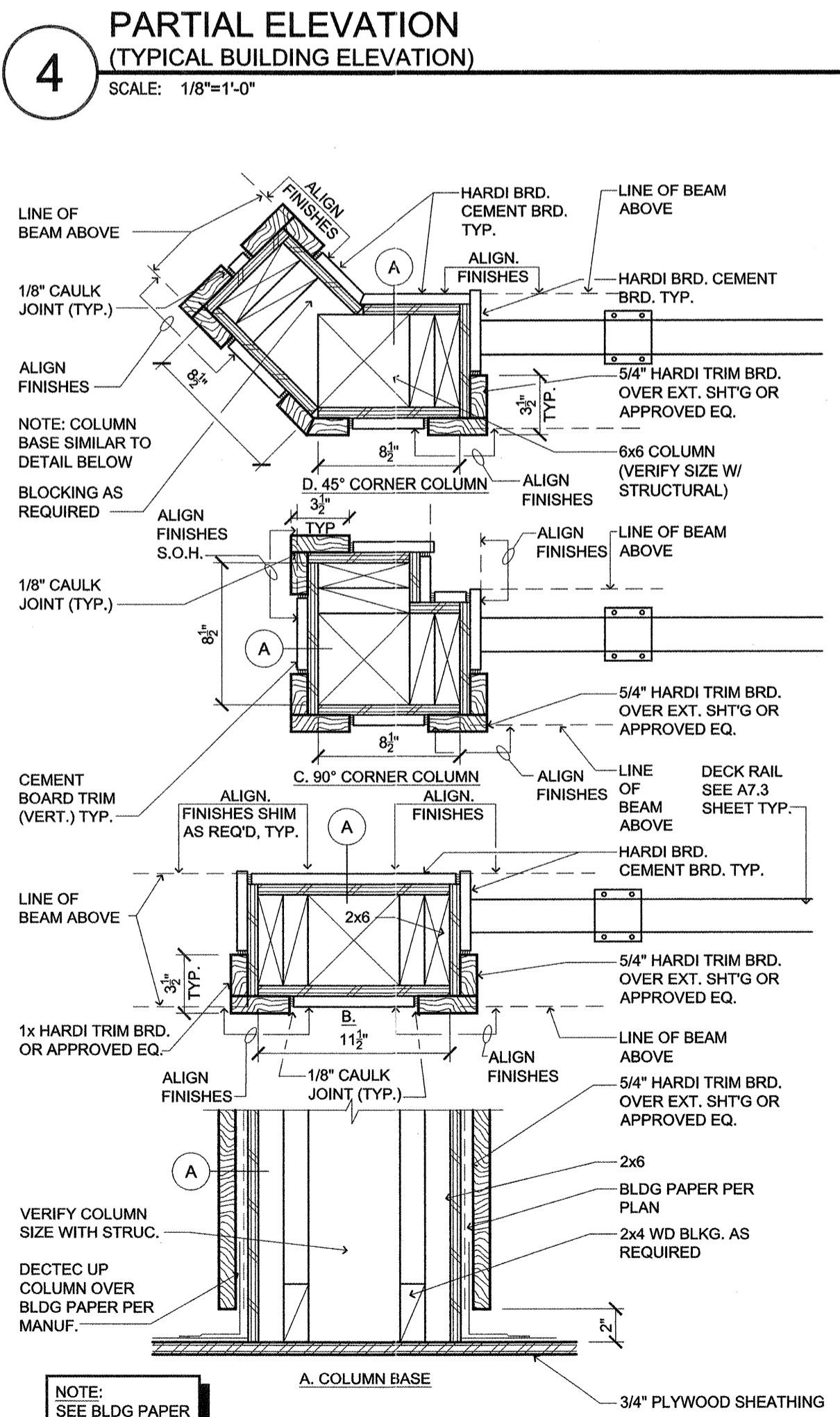
P:\34\THORNME-PORTLAND\DETAILS\09880011



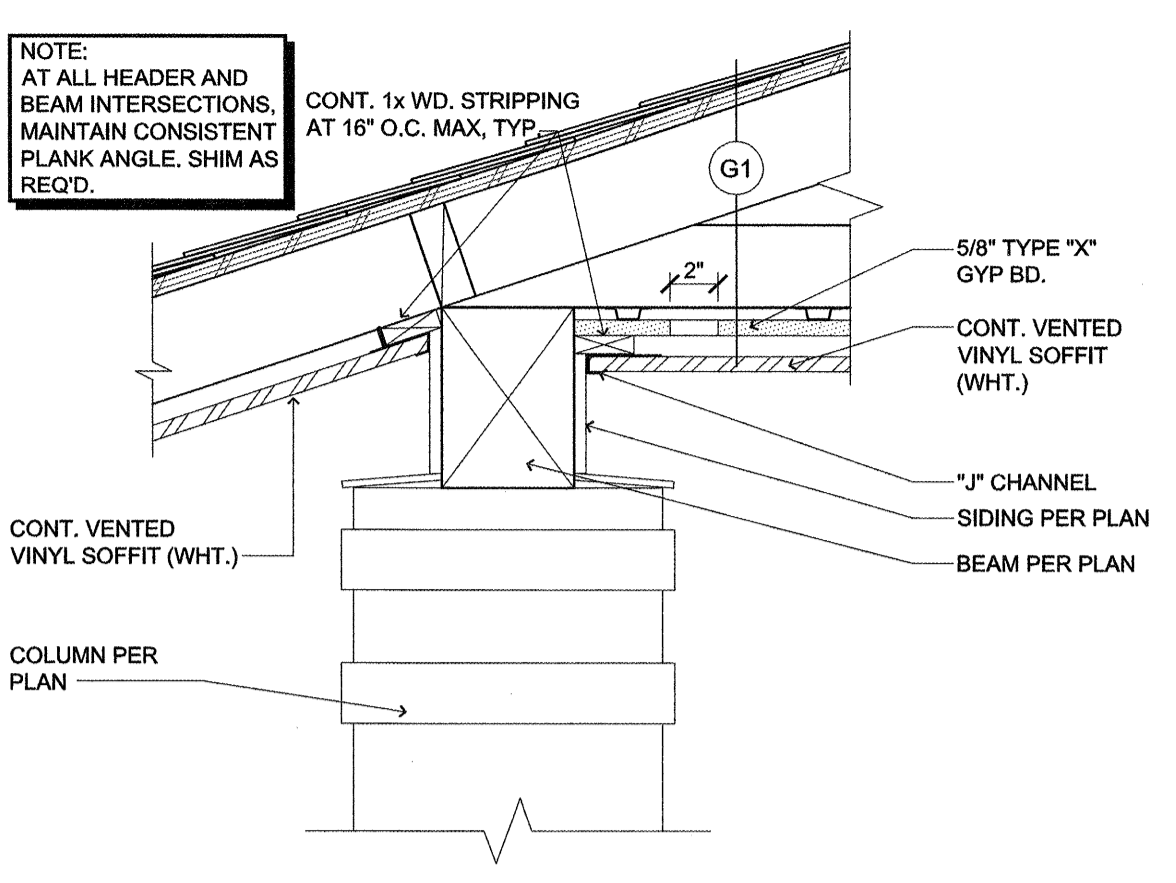
**2 EXTERIOR WALL CORNERS (TYP. ASSEMBLIES - CEMENT SIDING)**  
SCALE: 1-1/2" = 1'-0"



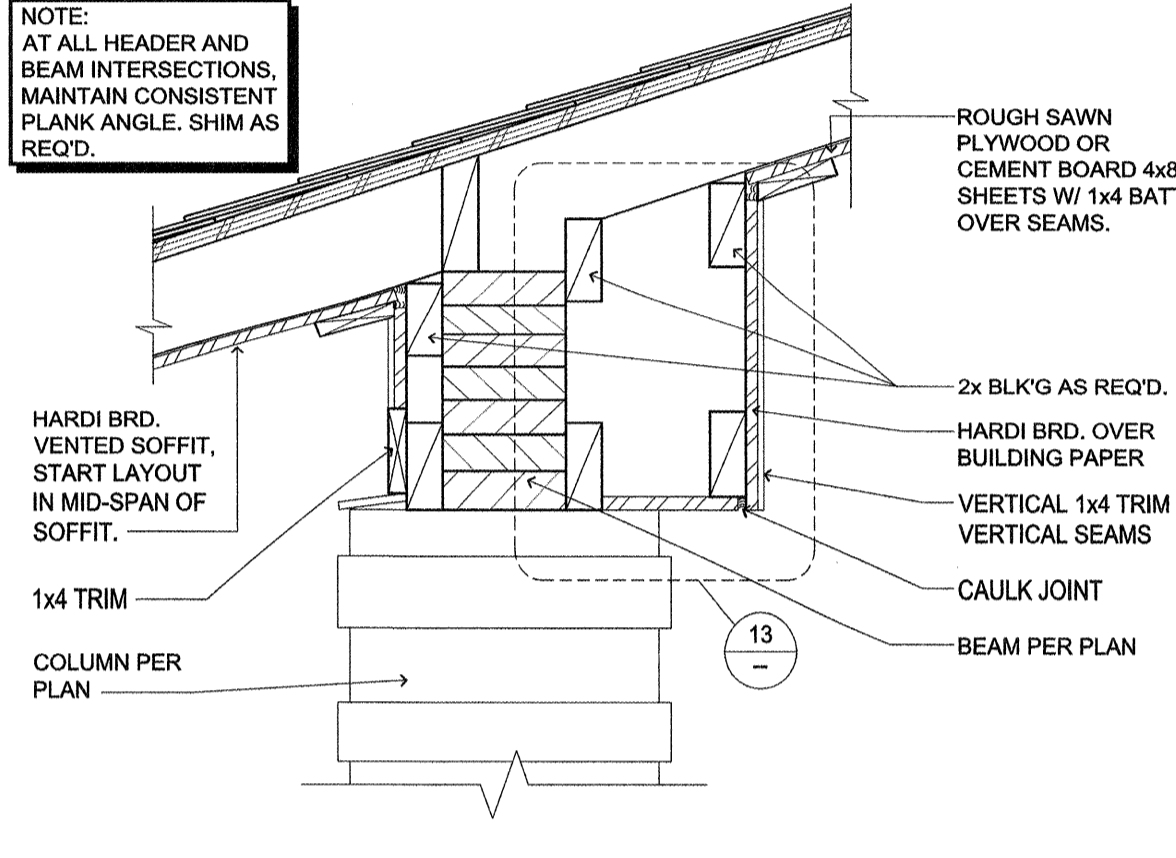
**1 DECK SEPARATION WALL (CEM. BRD. SIDING W/ WOOD TRIM)**  
SCALE: 1-1/2" = 1'-0"



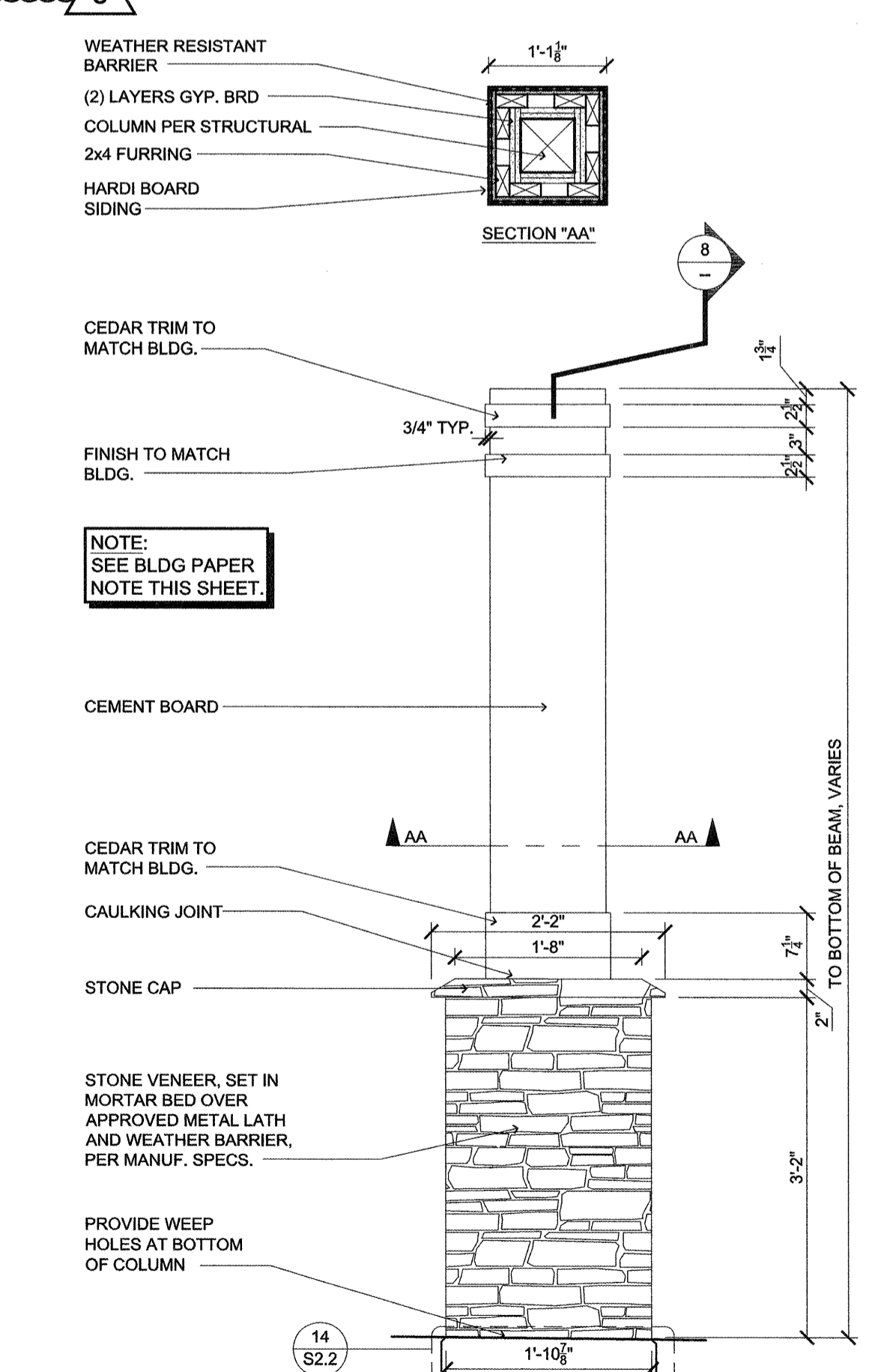
**3 EXTERIOR COLUMN - CEMENT SIDING (BASE SECTION AND PLANS)**  
SCALE: 1-1/2" = 1'-0"



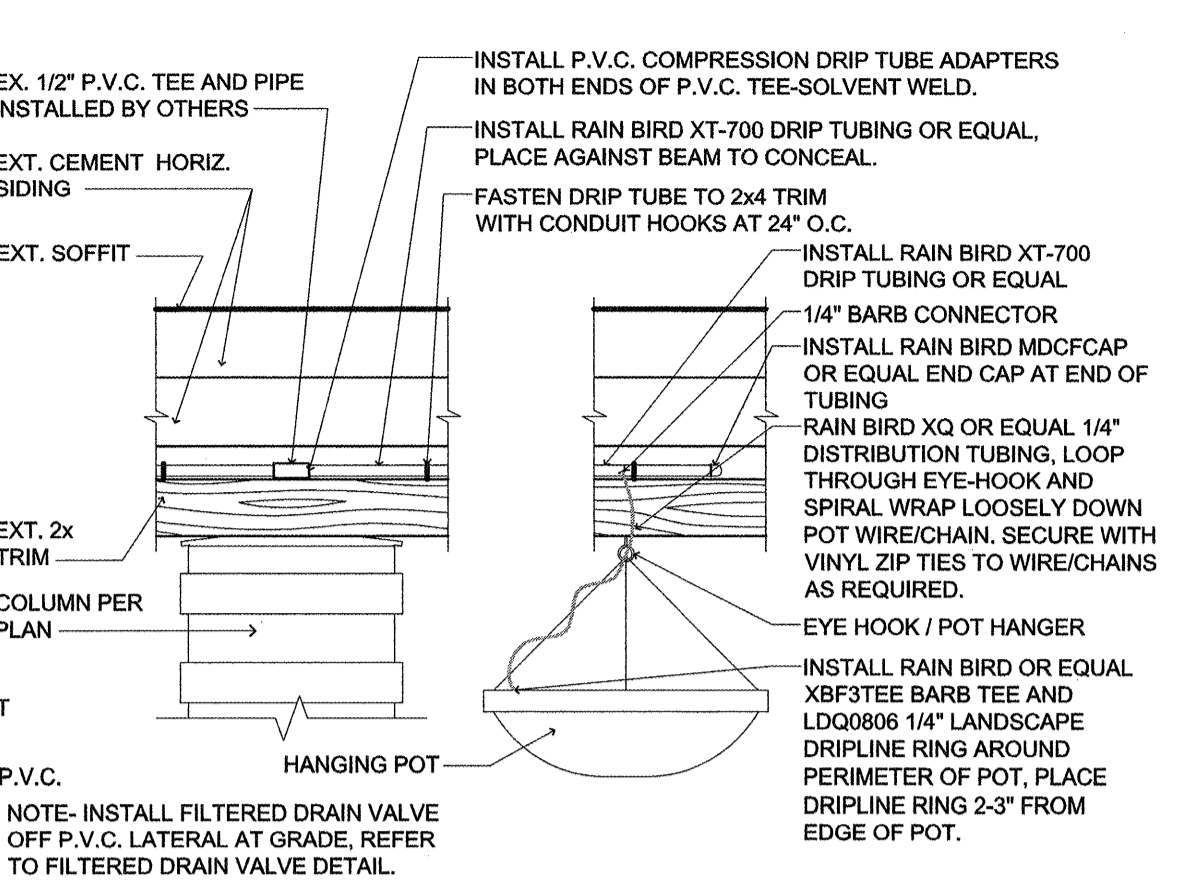
**7 EXTERIOR COLUMN DETAIL (COLUMN / BEAM AT SUITE)**  
SCALE: 1-1/2" = 1'-0"



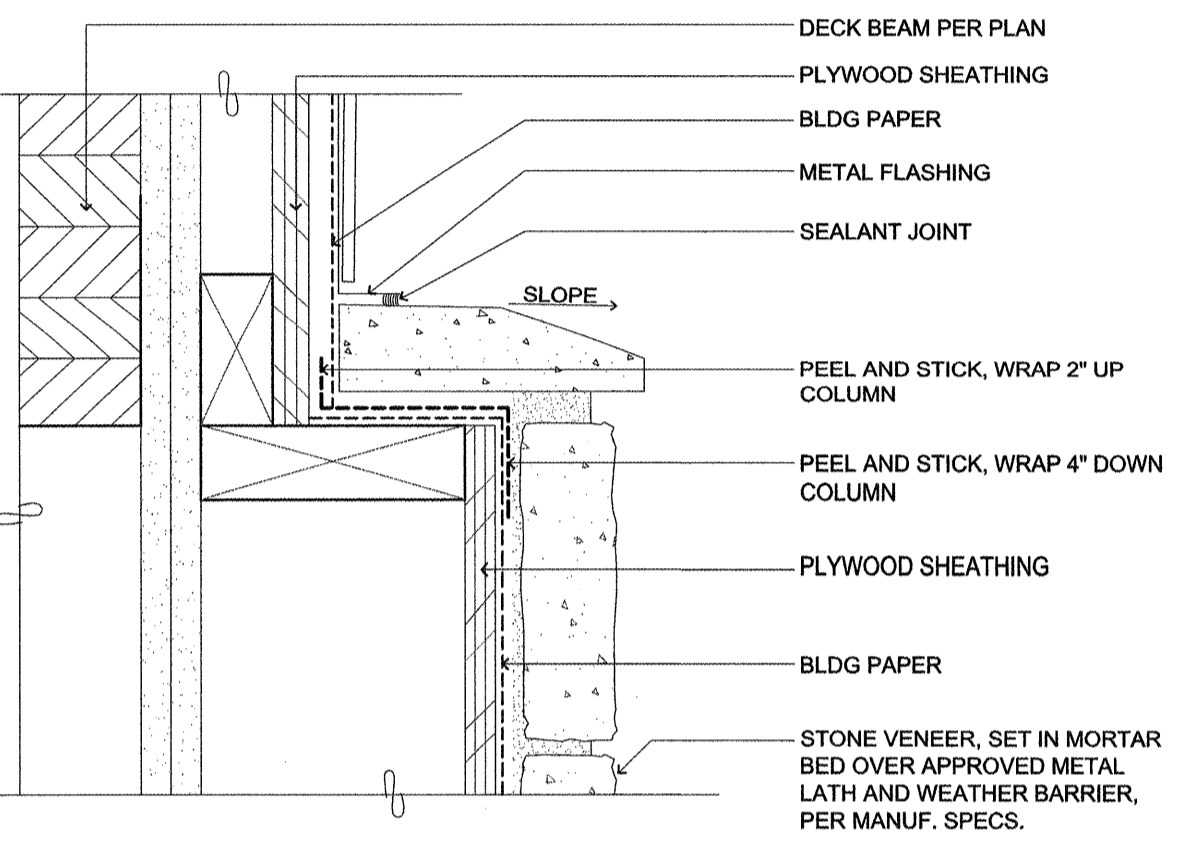
**6 EXTERIOR COLUMN DETAIL (COLUMN/BEAM, HARDI BOARD: AT FRONT PORCH)**  
SCALE: 1-1/2" = 1'-0"



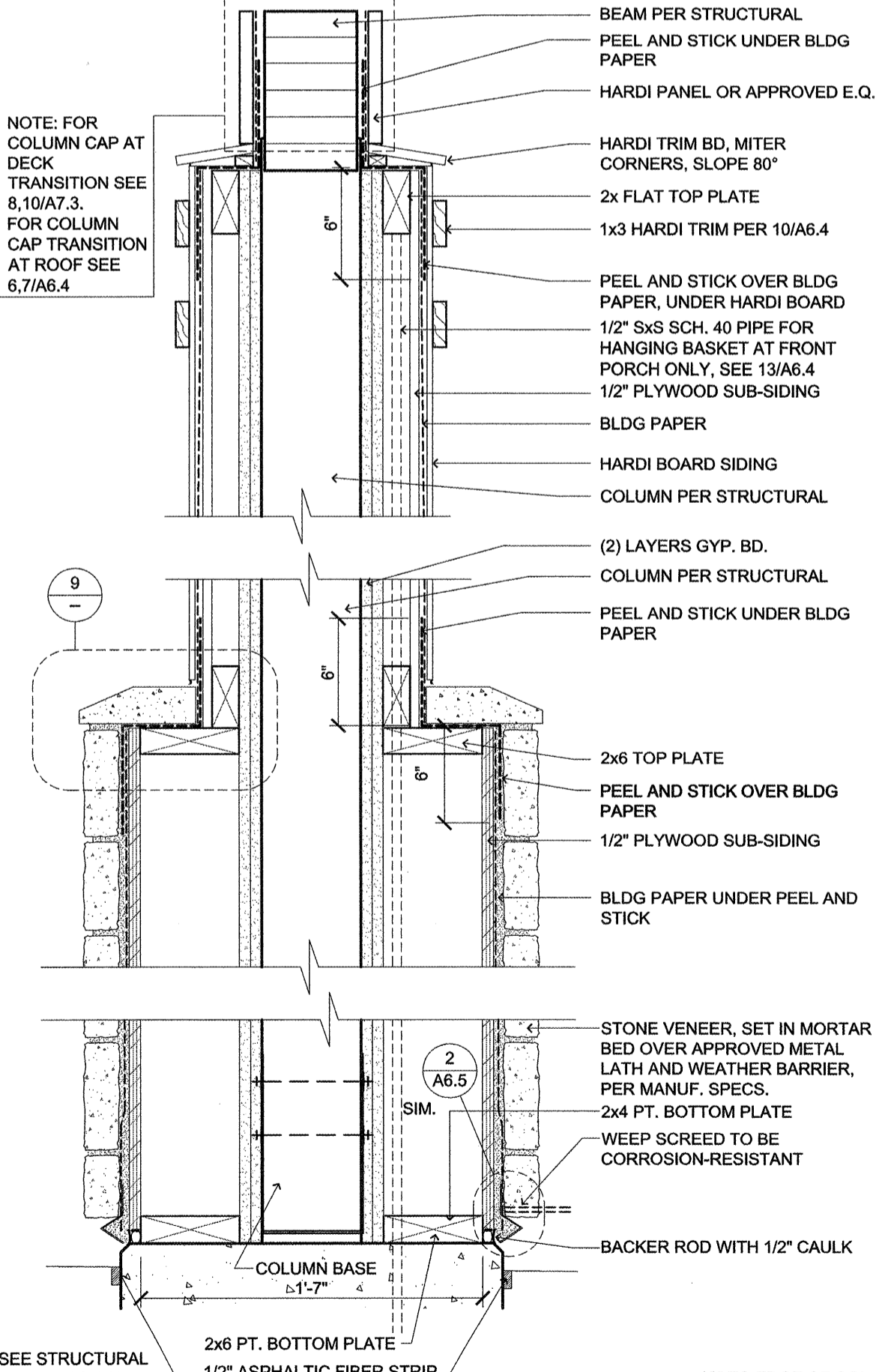
**5 EXT. COLUMN (HARDI-BOARD SIDING)**  
SCALE: 3/4" = 1'-0"



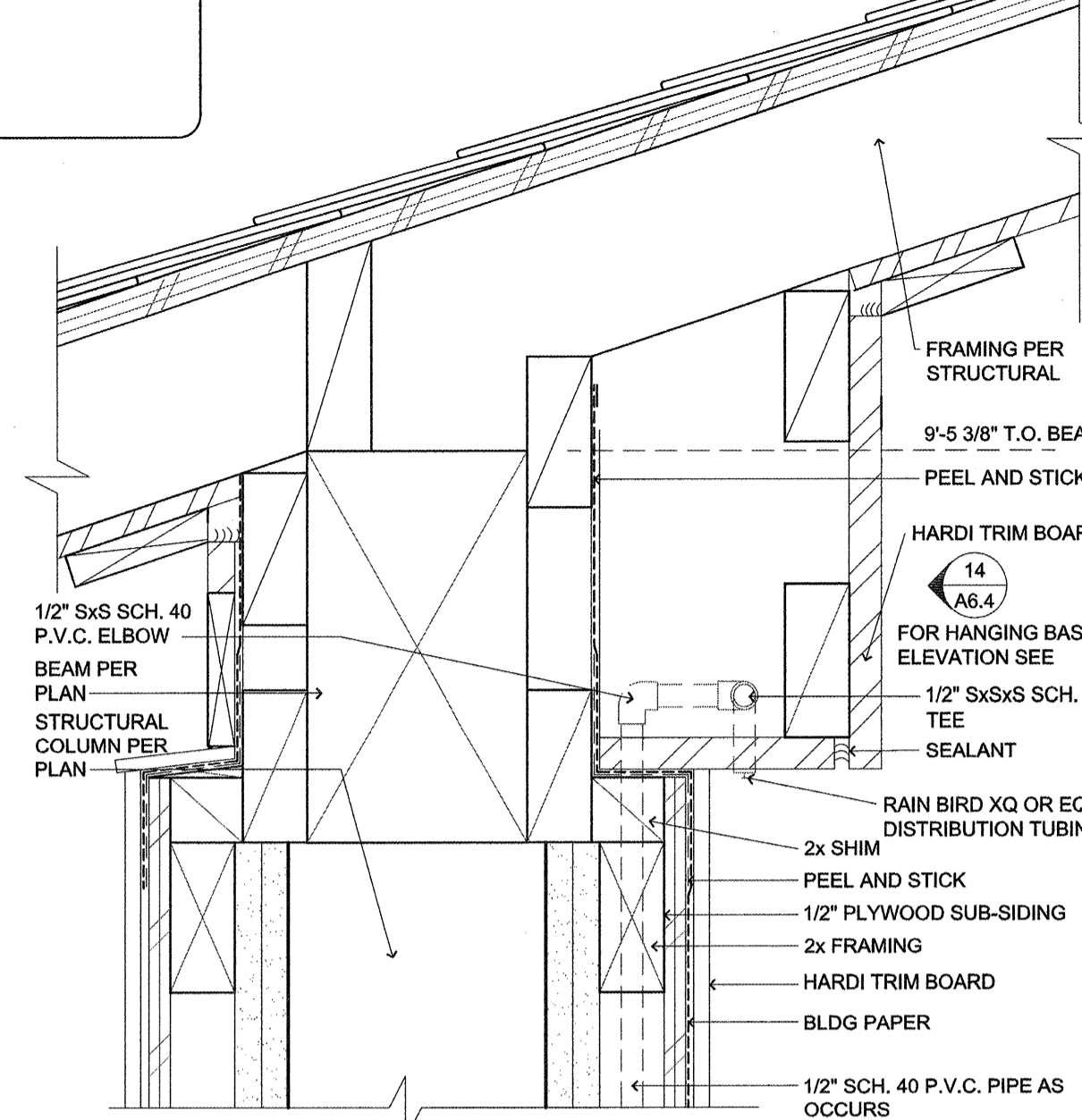
**14 HANGING POT DRIP IRRIGATION (IRRIGATION INSTALLER SCOPE OF WORK)**  
SCALE: 1" = 1'-0"



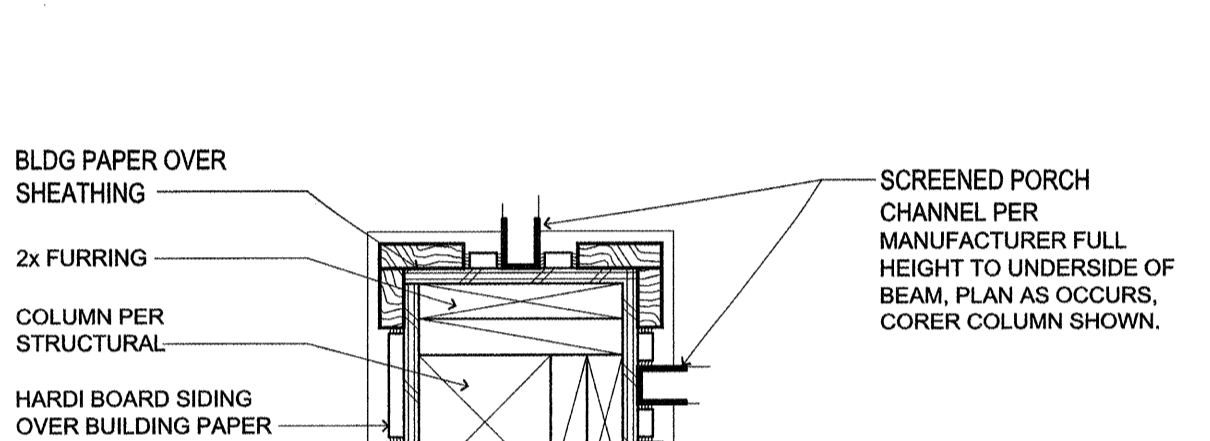
**9 EXT. COLUMN (SECTION OF COLUMN TRANSITION)**  
SCALE: 3" = 1'-0"



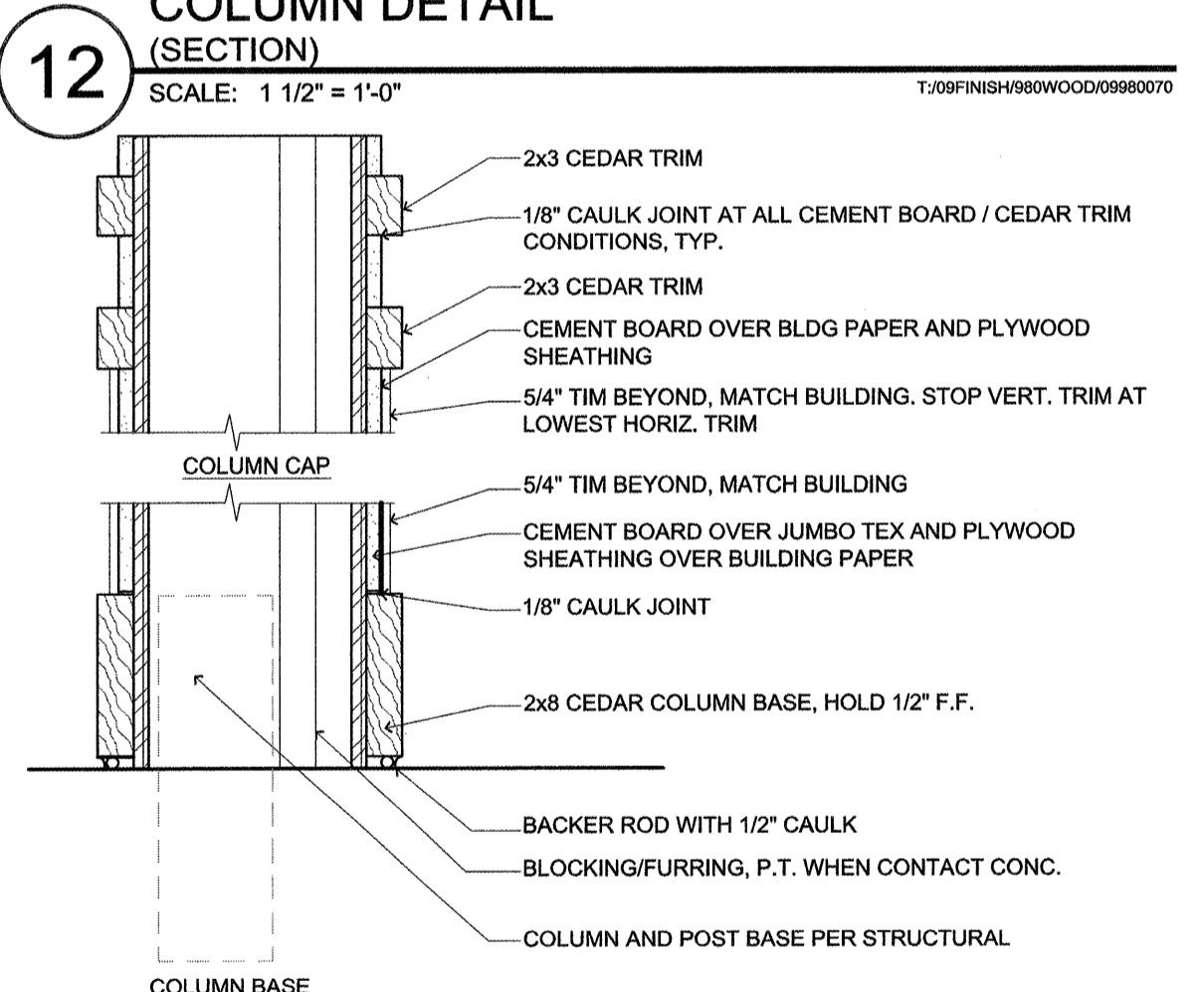
**8 EXT. COLUMN SECTION (SECTION)**  
SCALE: 1-1/2" = 1'-0"



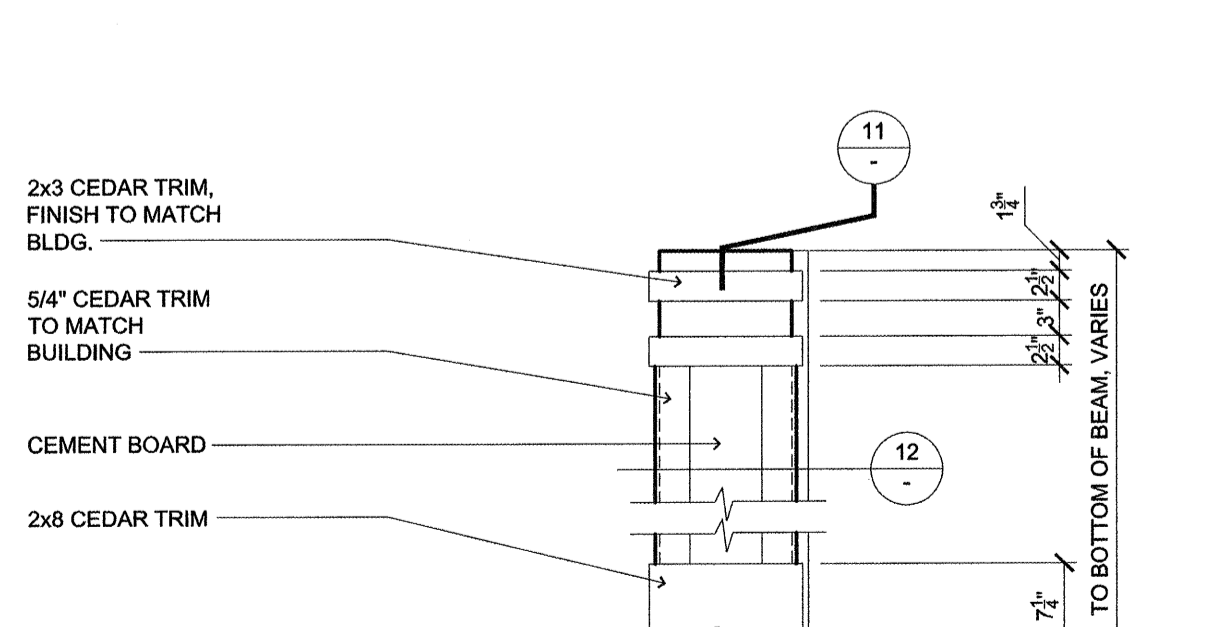
**13 EXT. COLUMN (SECTION AT FRONT PORCH)**  
SCALE: 3" = 1'-0"



**11 COLUMN SECTION (AT SCREENED PORCH)**  
SCALE: 1 1/2" = 1'-0"



**12 COLUMN DETAIL (SECTION)**  
SCALE: 1 1/2" = 1'-0"



**10 COLUMN DETAIL (AT SCREENED PORCH)**  
SCALE: 3/4" = 1'-0"

8/28/2015 2:02 PM: lrothman - p:\34\THORNME-PORTLAND\DETAILS\09880011.dwg, Building, 016, lrothman, A6.4