

lenity
architecture
350 Weth. Court, SE, Salem, Oregon 97301
P: 503 399 1030 F: 503 399 0565 w@lenityarchitecture.com

COLSON AND COLSON
GENERAL CONTRACTOR, INC.
2280 MCGILCHRIST STREET SE, SUITE 200
SALEM, OREGON 97302
PHONE (503) 586-7401

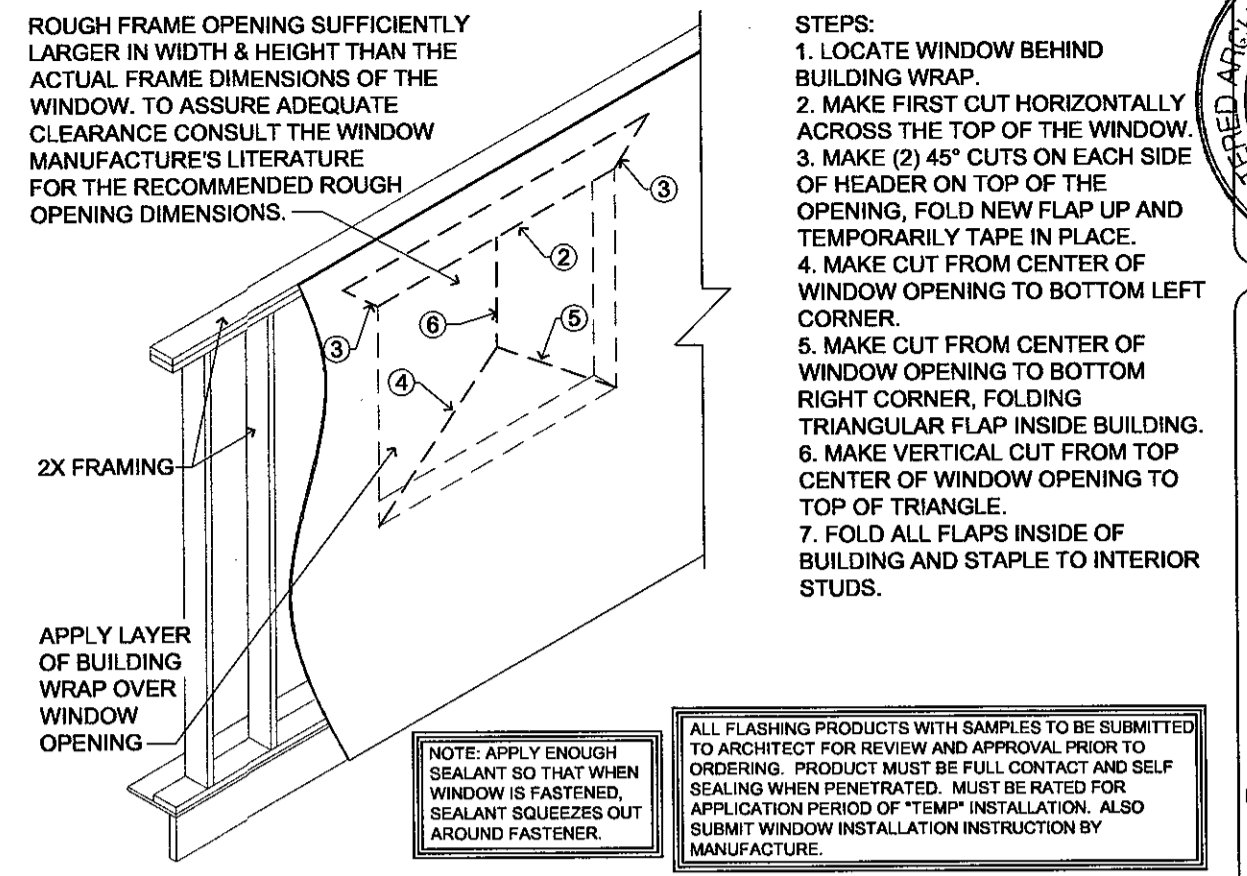
PORTLAND
RETIREMENT RESIDENCE
802 OCEAN AVE. PORTLAND, MAINE 04103

PUMP HOUSE
DETAILS

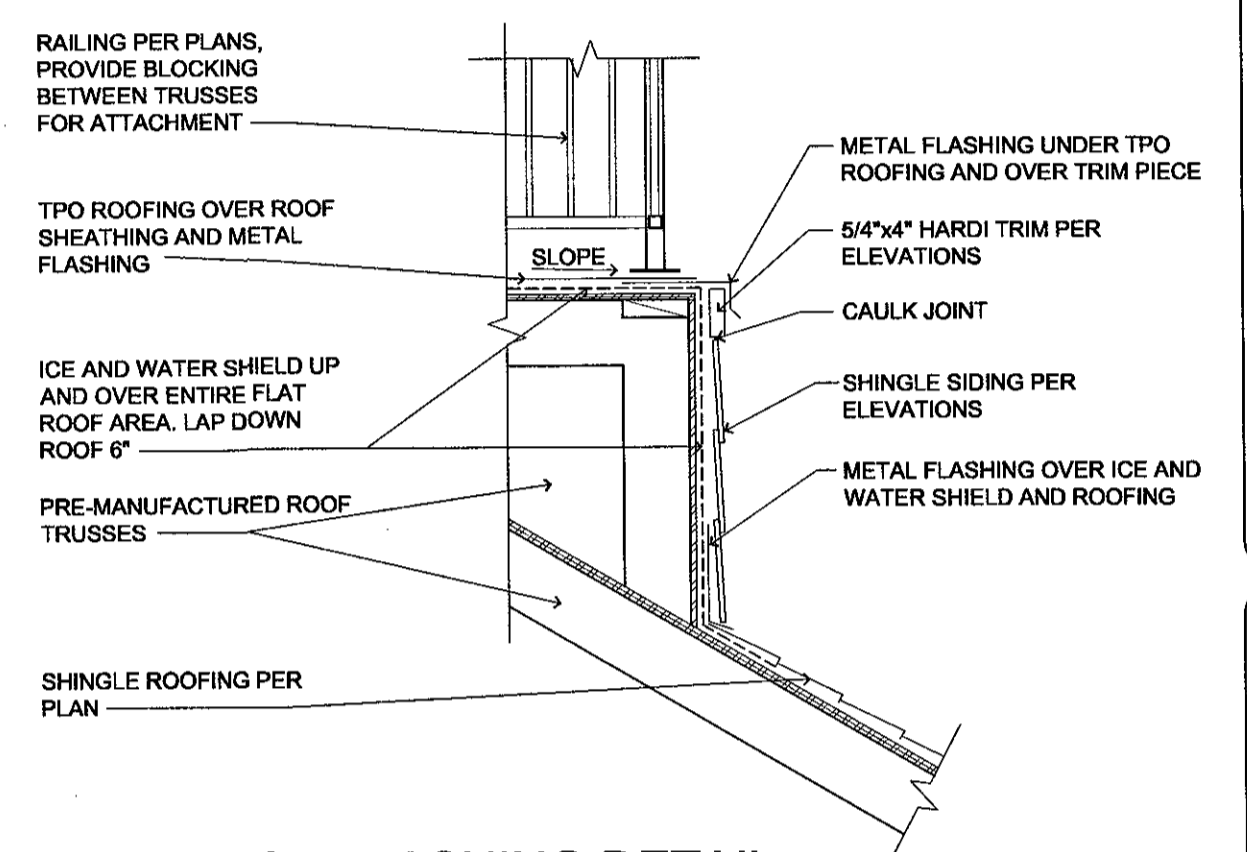
DATE
5/27/2016

REVISED DATE

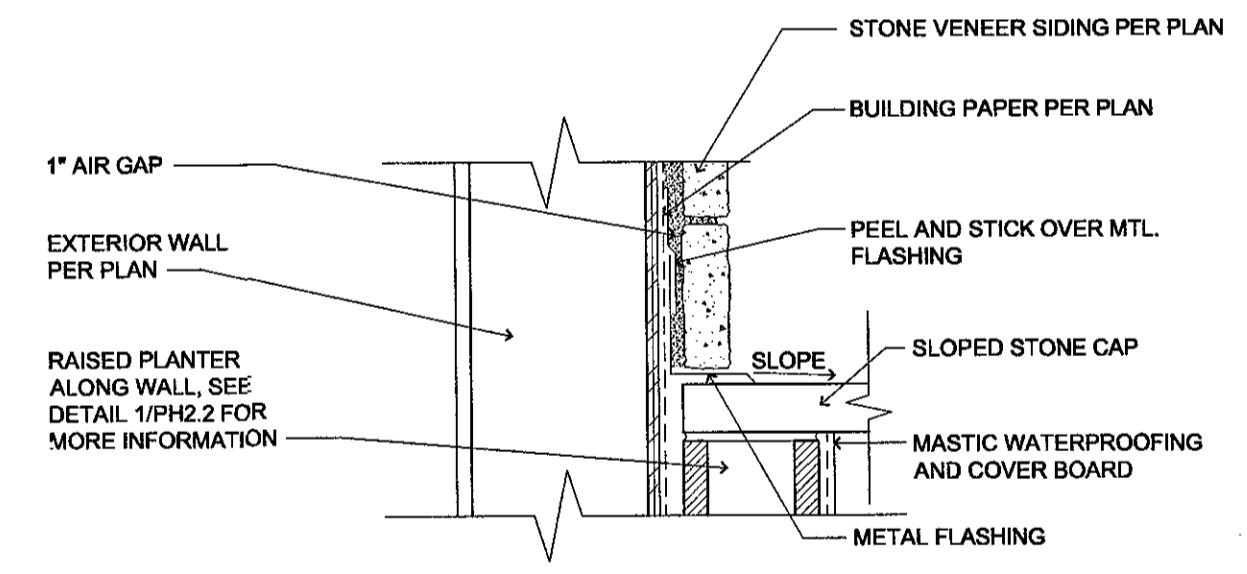
SHEET
PH2.2



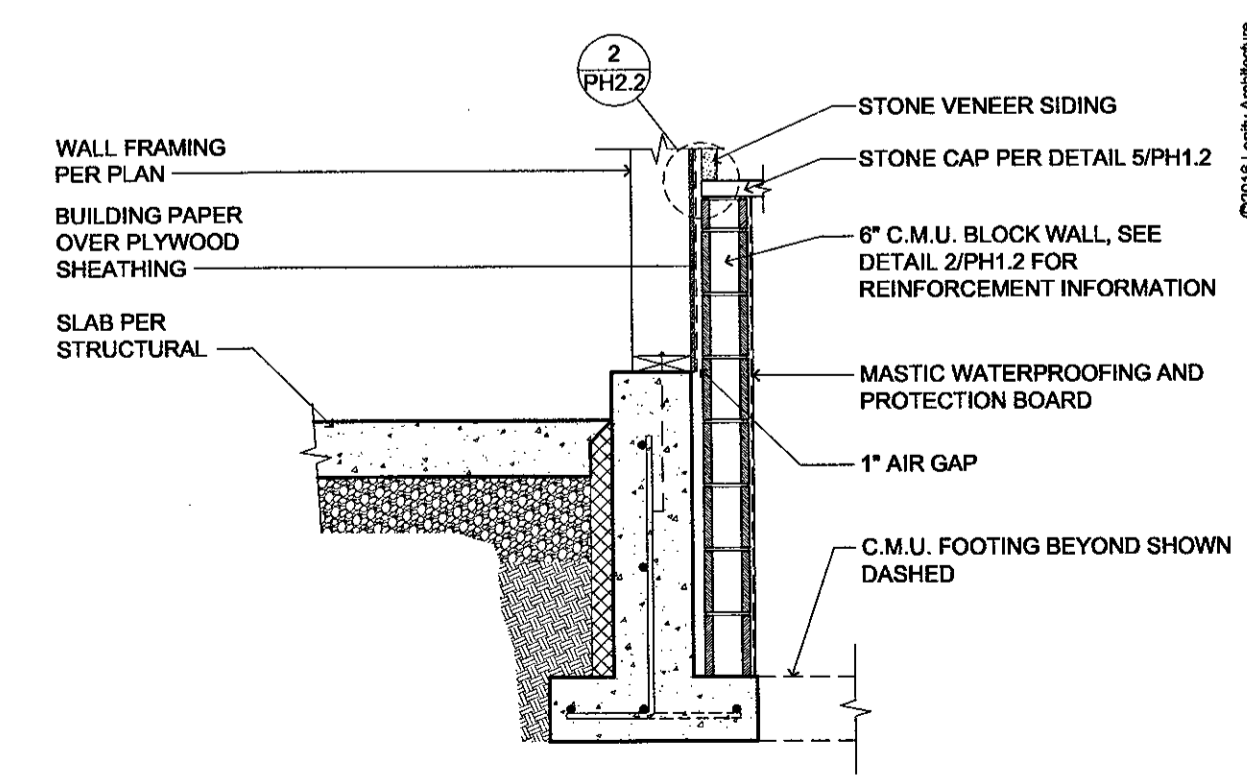
4A SILL FLASHING WINDOW INSTALL DETAIL (1 of 6) (BUILDING WRAP)
SCALE: 1/4" = 1'-0"



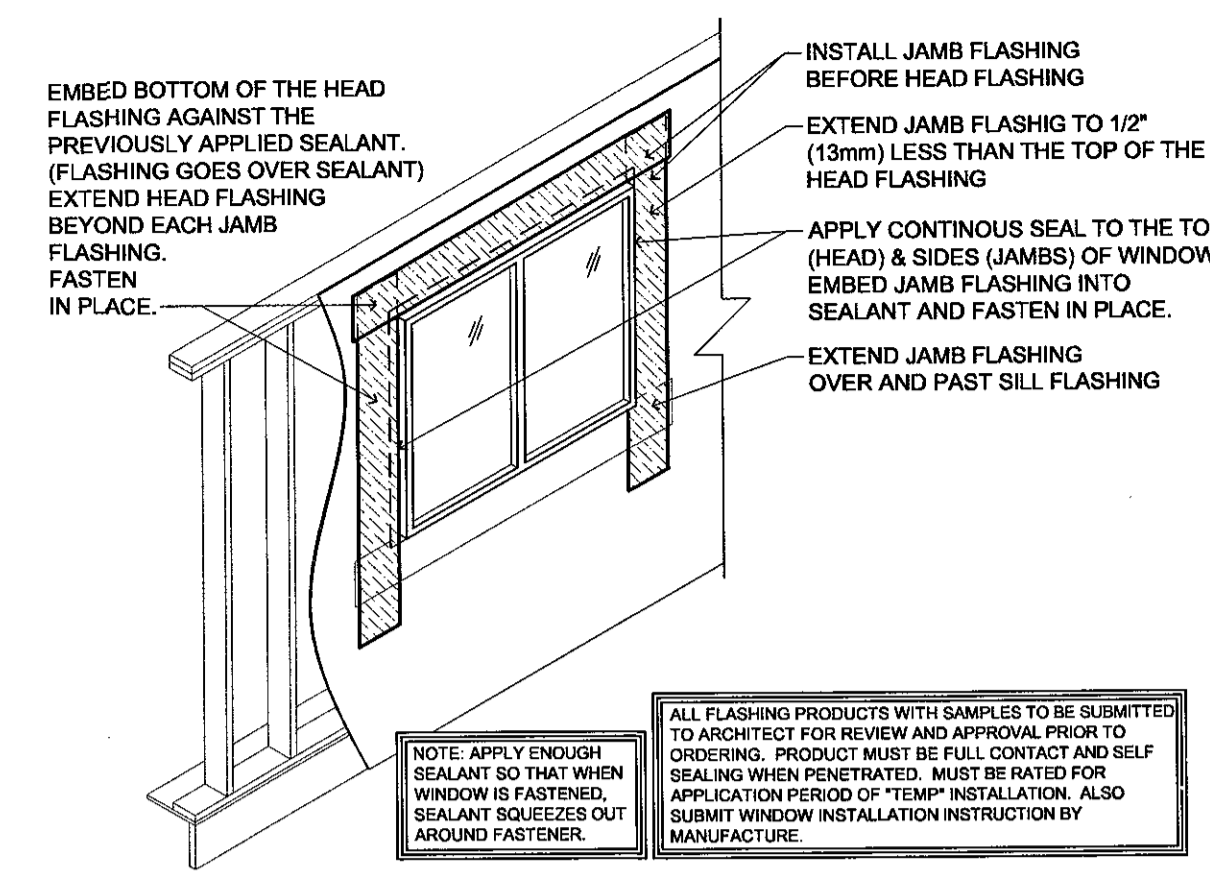
3 ROOF FLASHING DETAIL (AT FLAT ROOF)
SCALE: 3/4" = 1'-0"



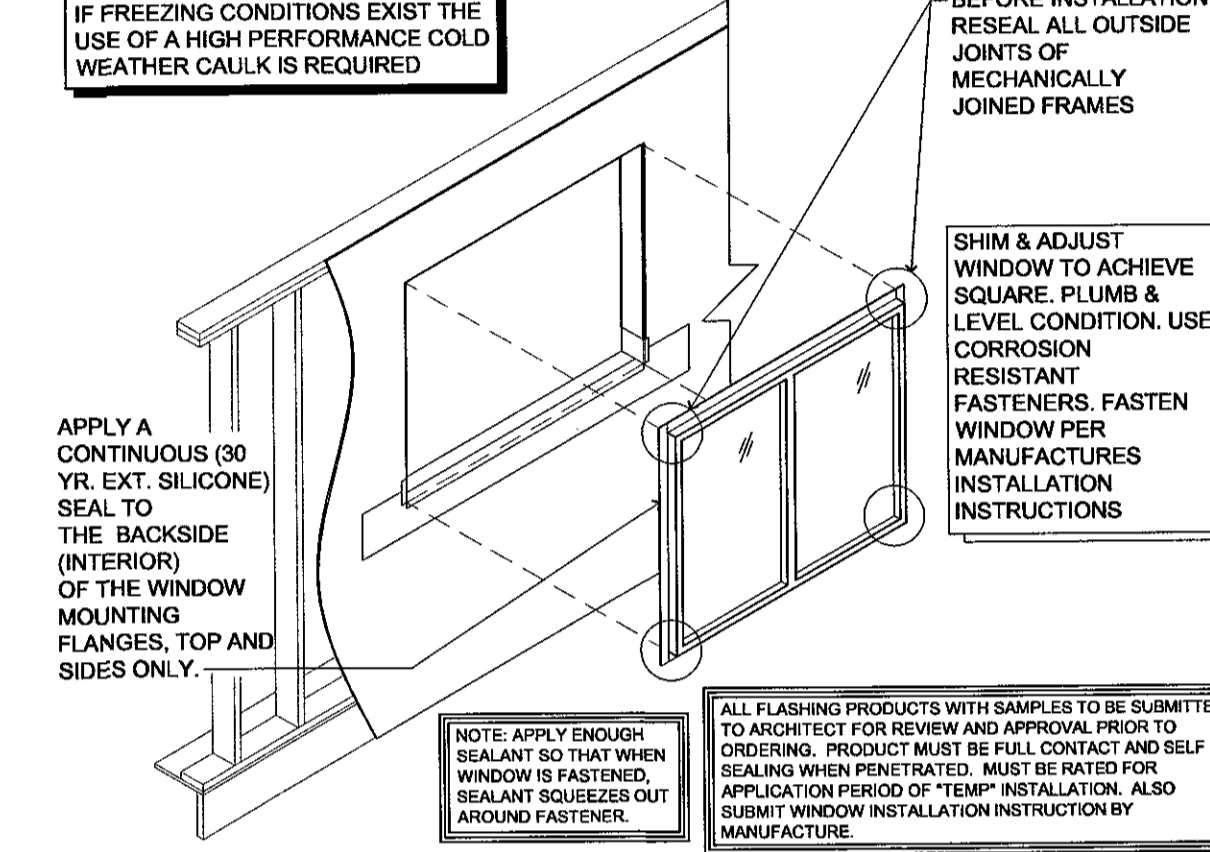
2 RAISED PLANTER (AT EXTERIOR WALL)
SCALE: 1-1/2" = 1'-0"



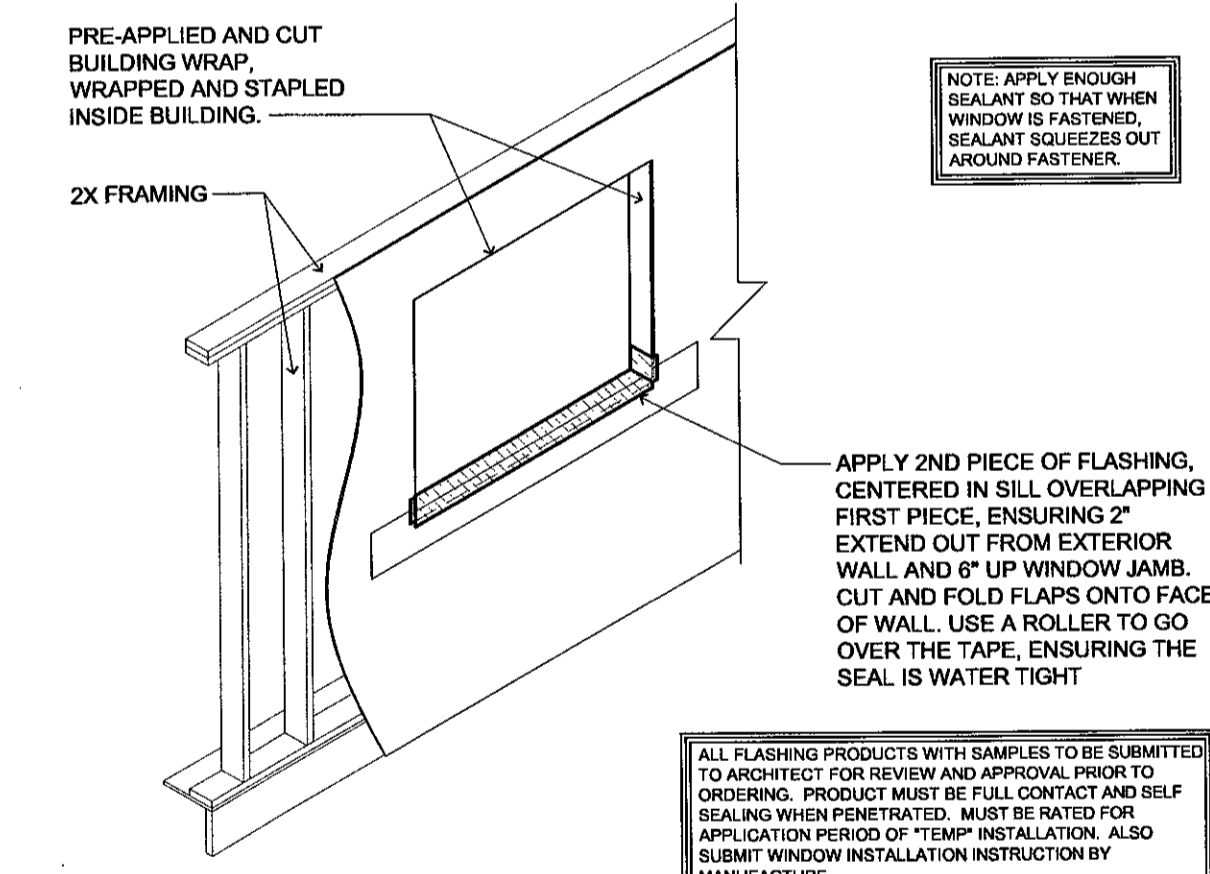
1 RAISED PLANTER (AT EXTERIOR WALL)
SCALE: 1/2" = 1'-0"



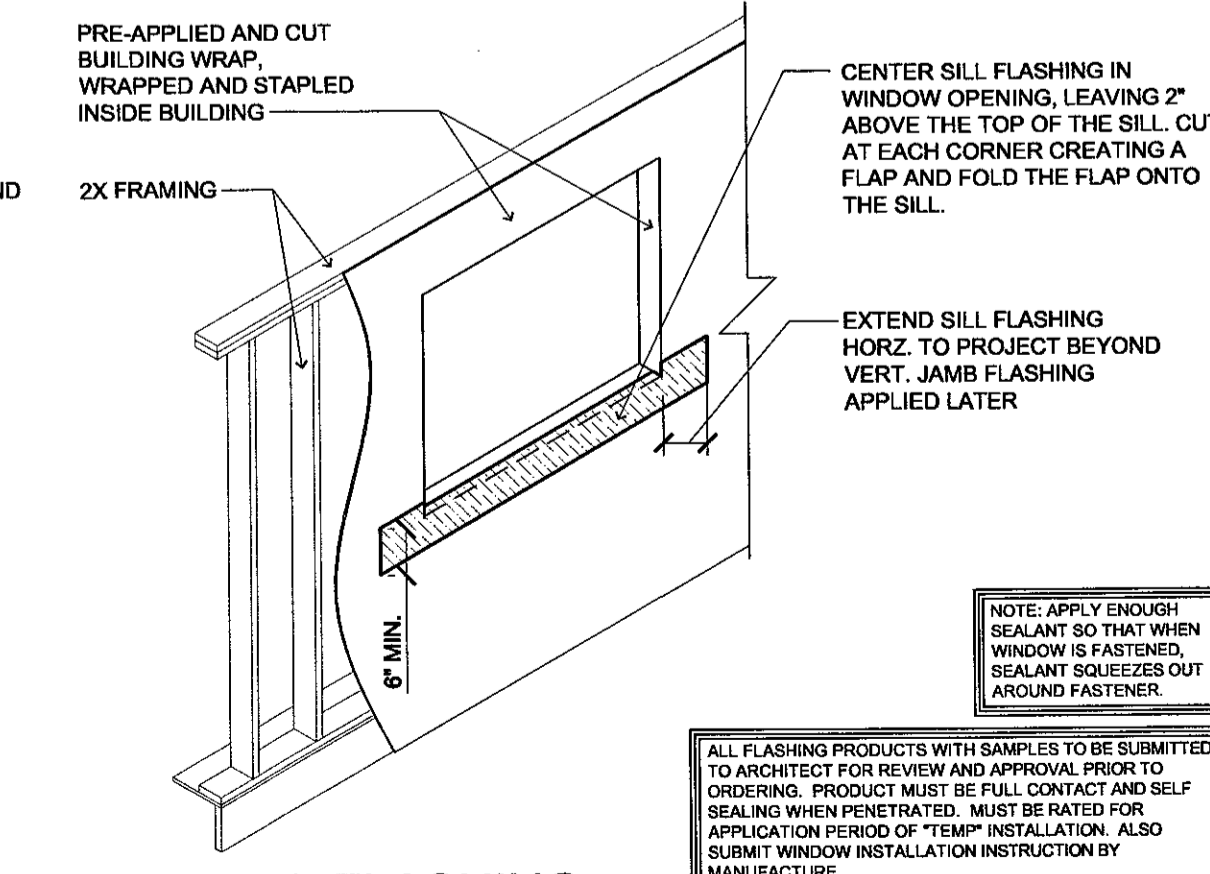
4E JAMB AND HEAD FLASHING WINDOW INSTALL DETAIL (5 of 6) (BUILDING WRAP)
SCALE: 1/4" = 1'-0"



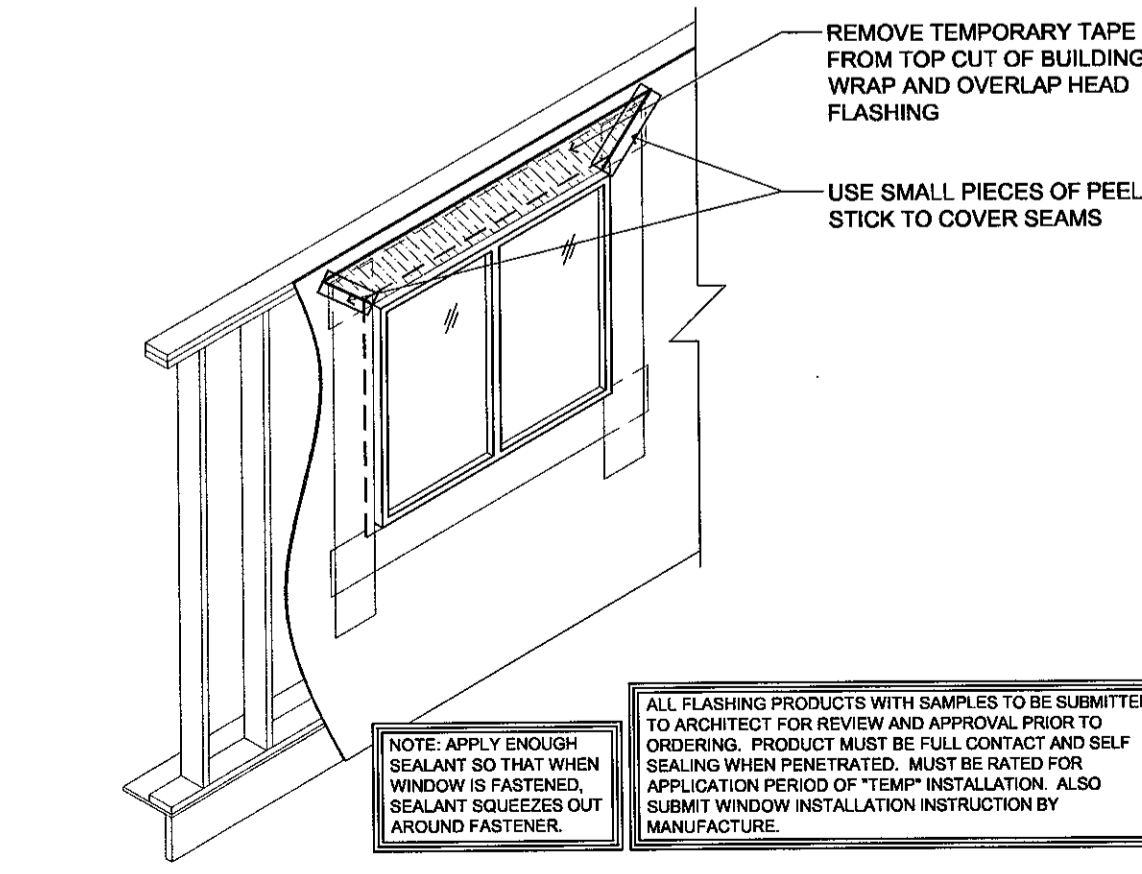
4D SILL FLASHING WINDOW INSTALL DETAIL (4 of 6) (BUILDING WRAP)
SCALE: 1/4" = 1'-0"



4C SILL FLASHING WINDOW INSTALL DETAIL (3 of 6) (BUILDING WRAP)
SCALE: 1/4" = 1'-0"



4B SILL FLASHING WINDOW INSTALL DETAIL (2 of 6) (BUILDING WRAP)
SCALE: 1/4" = 1'-0"



4F JAMB AND HEAD FLASHING WINDOW INSTALL DETAIL (6 of 6) (BUILDING WRAP)
SCALE: 1/4" = 1'-0"

NOTE: WRAP ENTIRE EXTERIOR OF BUILDING WITH BLDG PAPER. ALL JOINTS TO BE TAPED WITH SHEATHING TAPE. SYSTEM MUST BE INSTALLED IN ACCORDANCE WITH MANUF. INSTALLATION INSTRUCTIONS TO PROVIDE 10 YR. WARRANTY TO GENERAL CONTRACTOR