

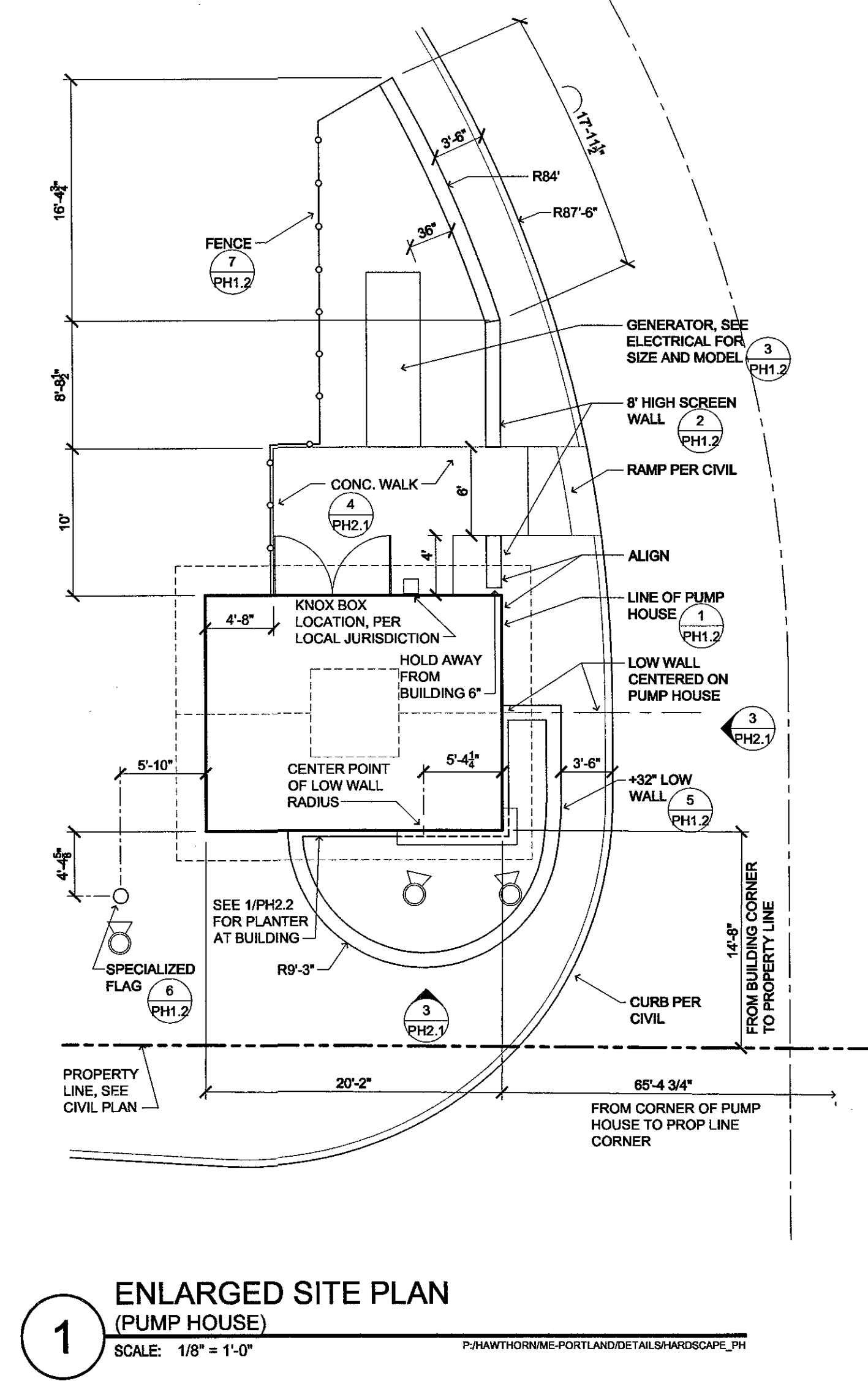
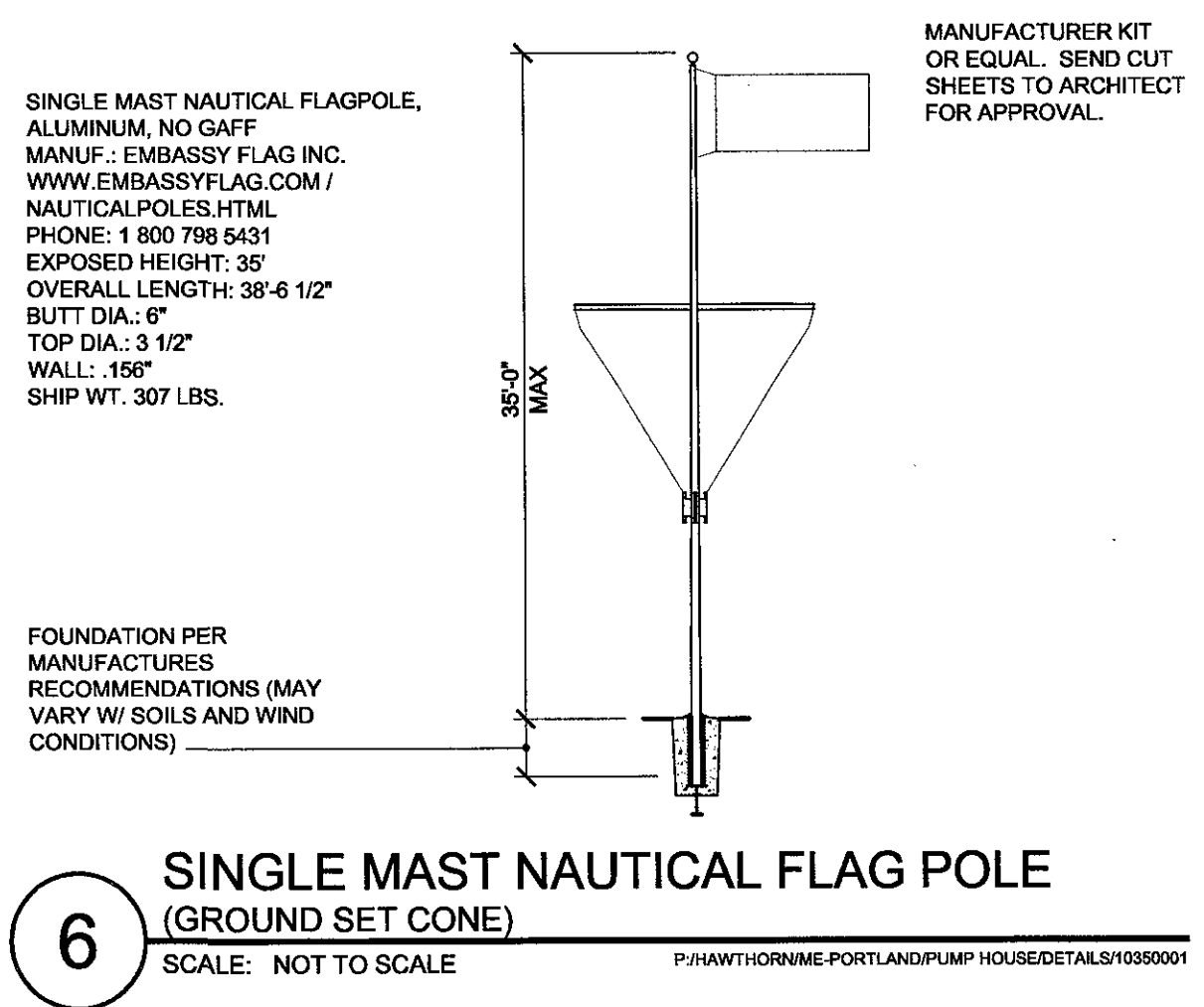
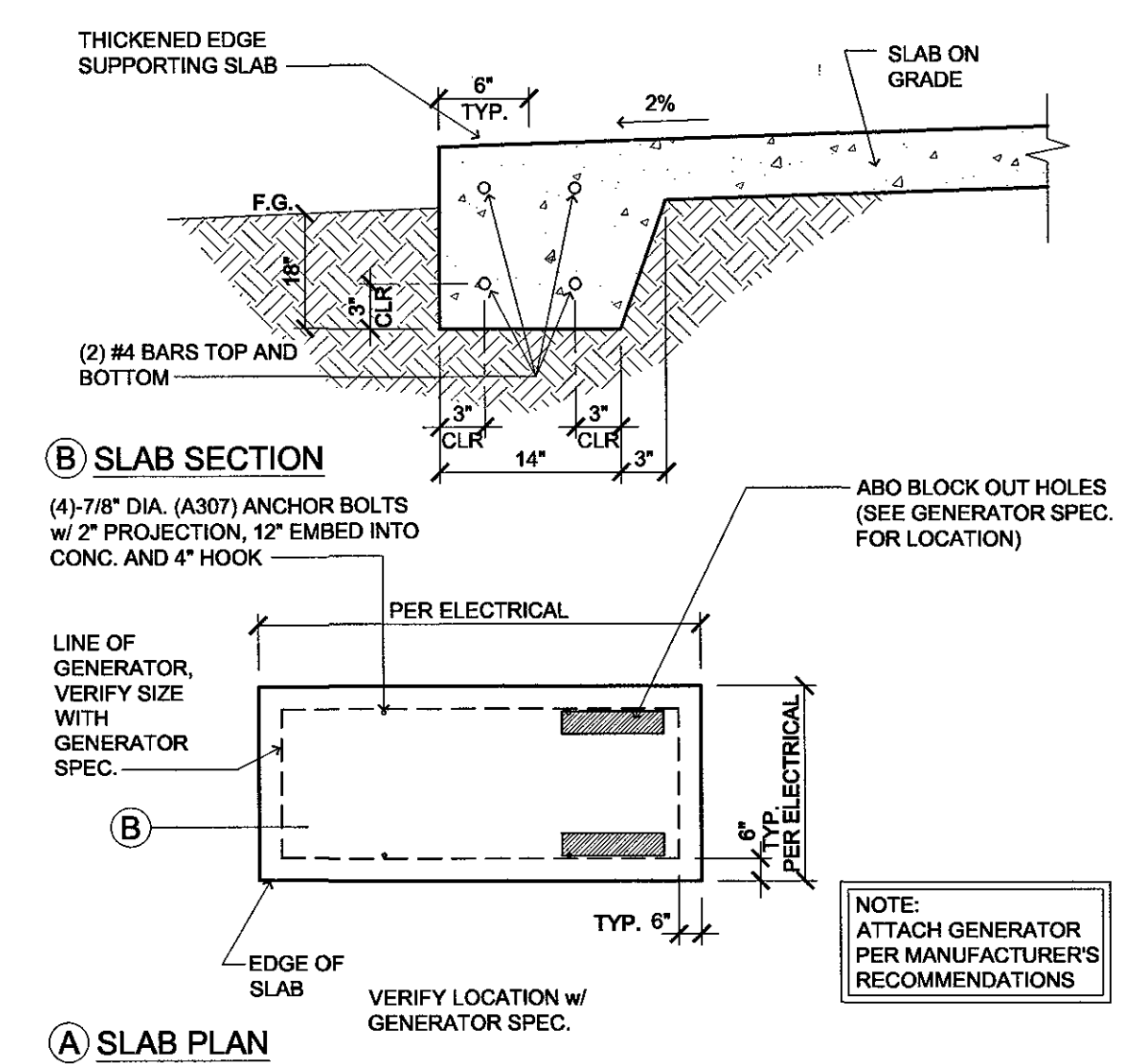
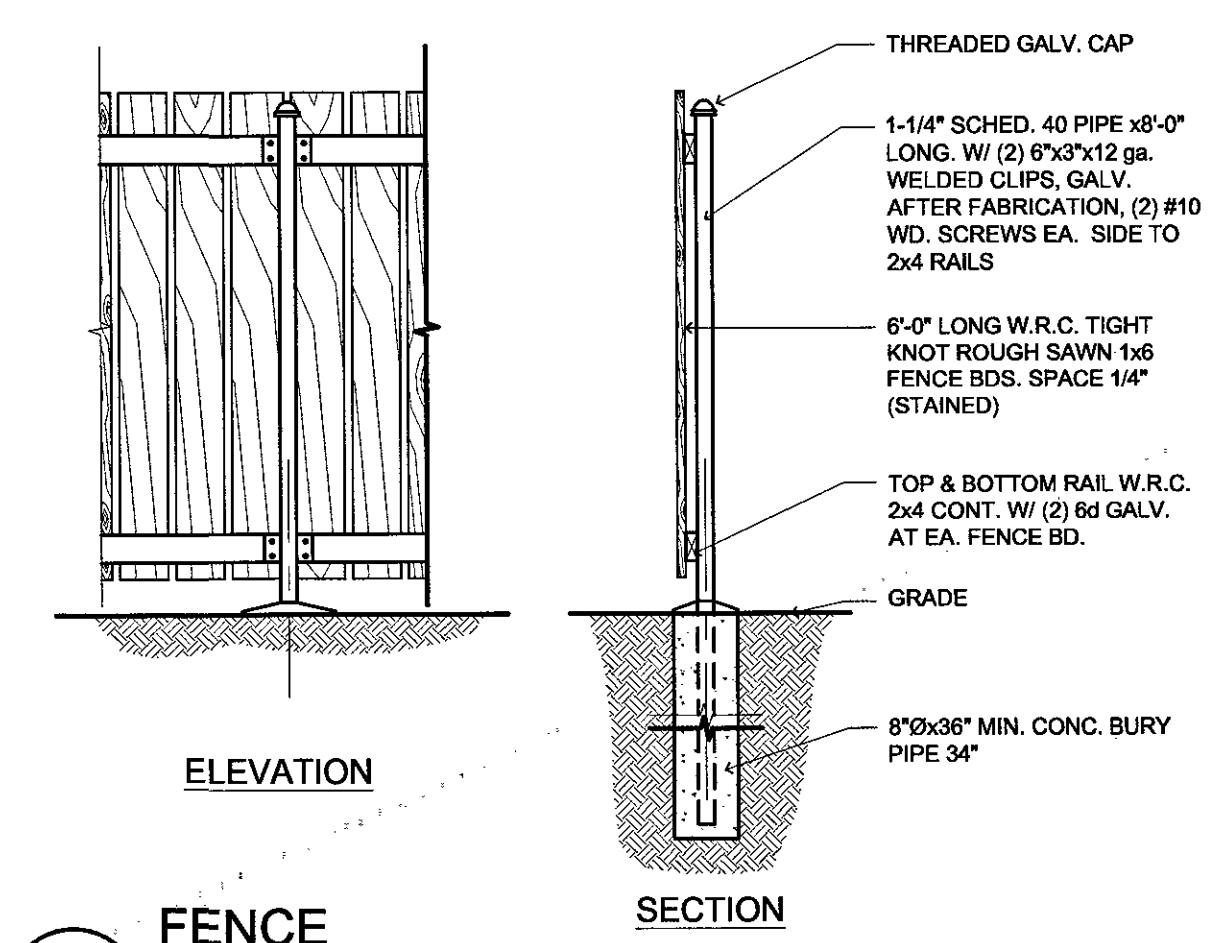
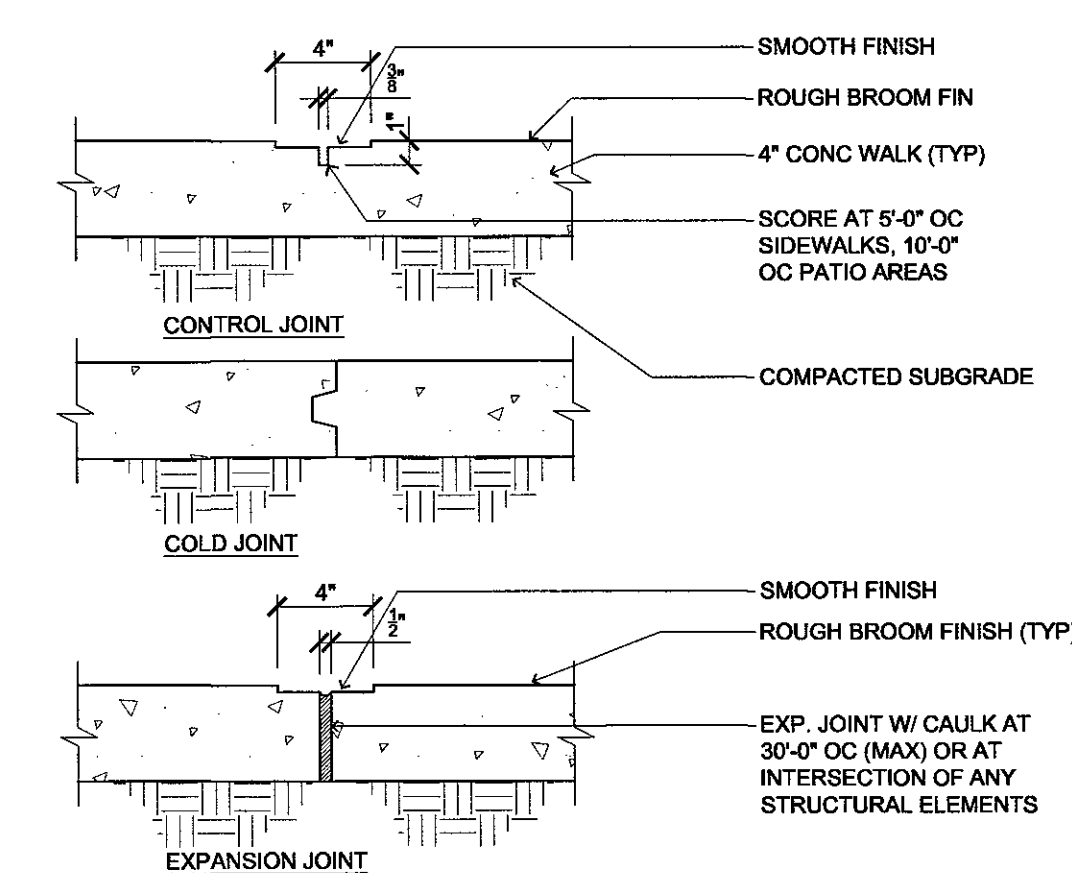
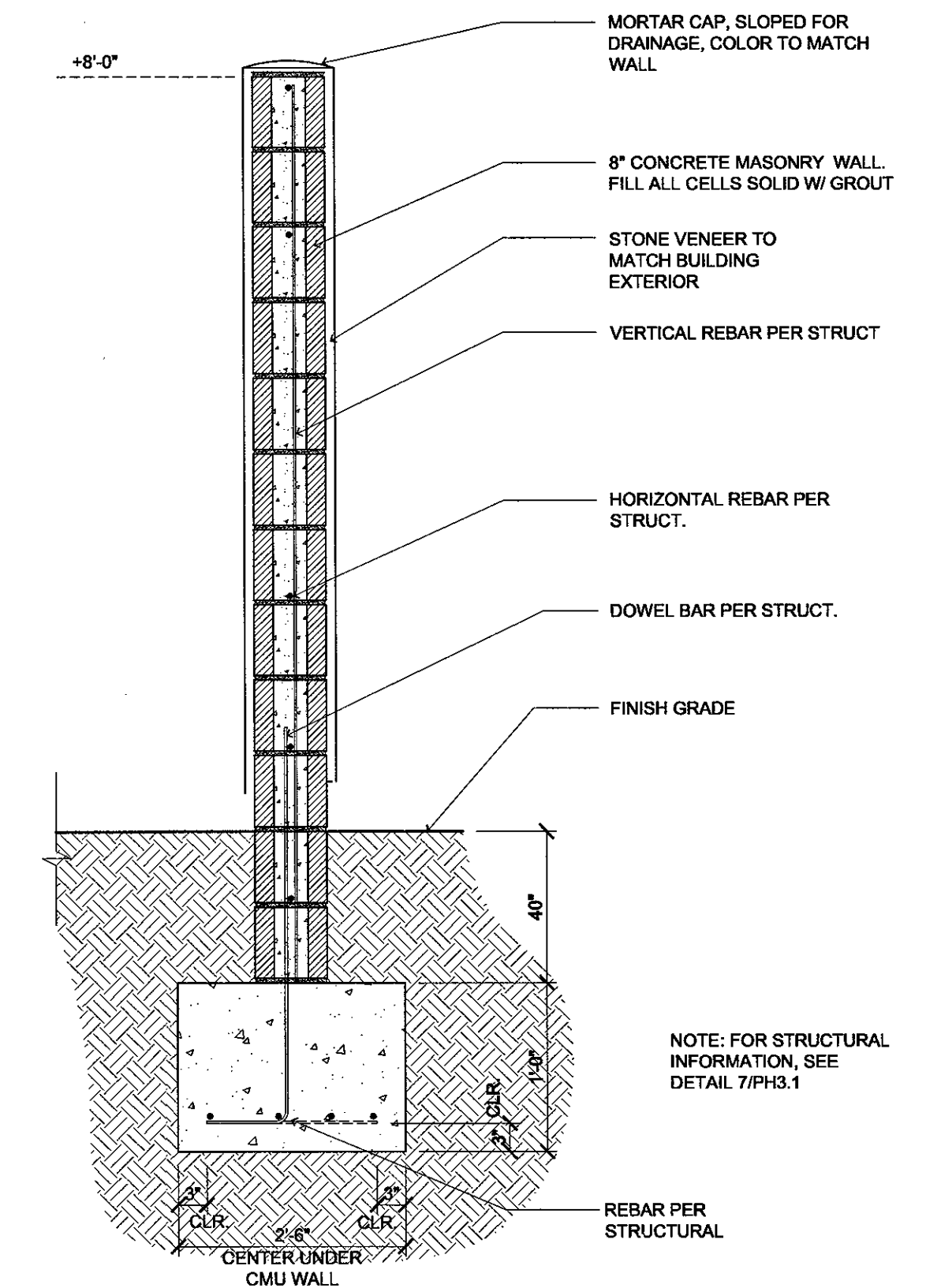
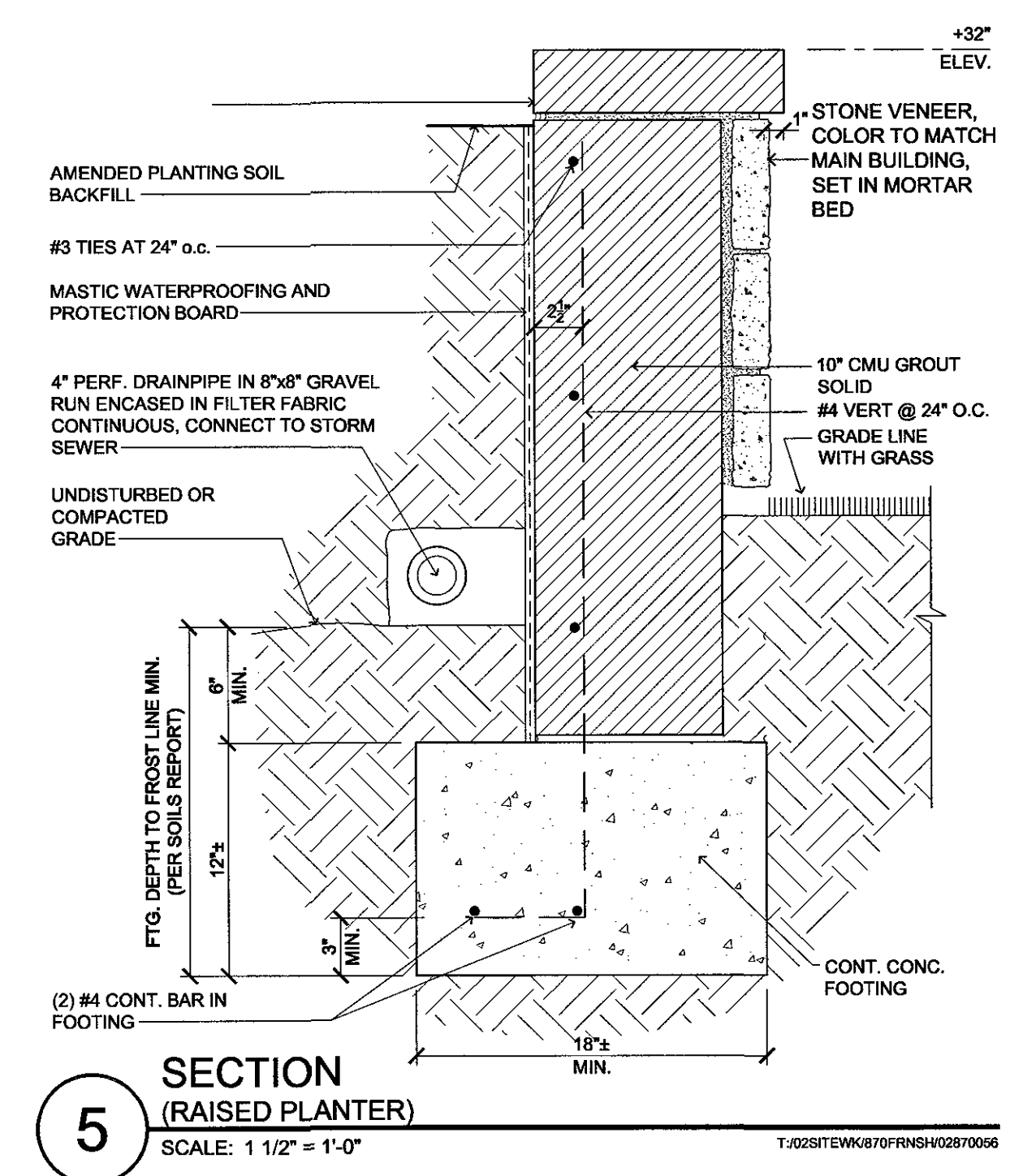
lenity
architecture
3150 Kelso Court SE, Salem, Oregon 97301
P: 503 399 1050 F: 503 399 0365 w: lenityarchitecture.com

COLSON AND COLSON
GENERAL CONTRACTOR, INC.
2280 McILCHRIST STREET SE, SUITE 200
SALEM, OREGON, 97302
PHONE (503) 586-7401

PORTLAND
RETIREMENT RESIDENCE
802 OCEAN AVE. PORTLAND, MAINE 04103

PUMP HOUSE
SITE PLAN
DETAILS

DATE
5/27/2016
REVISED DATE
SHEET
PH1.2



5/27/2016 4:35 PM J:\pump.dwg P:\hawthorn\me-portland\pump\house\ph1.2.dwg details.dwg PH1.2