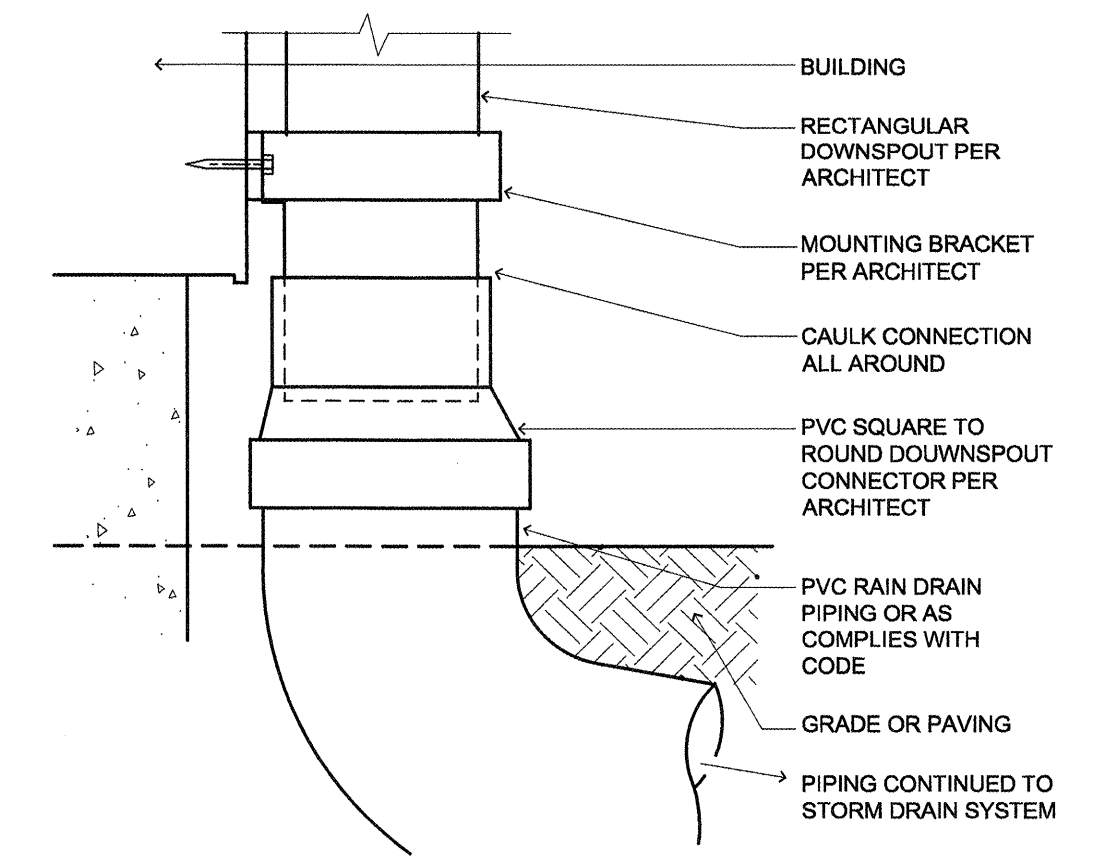
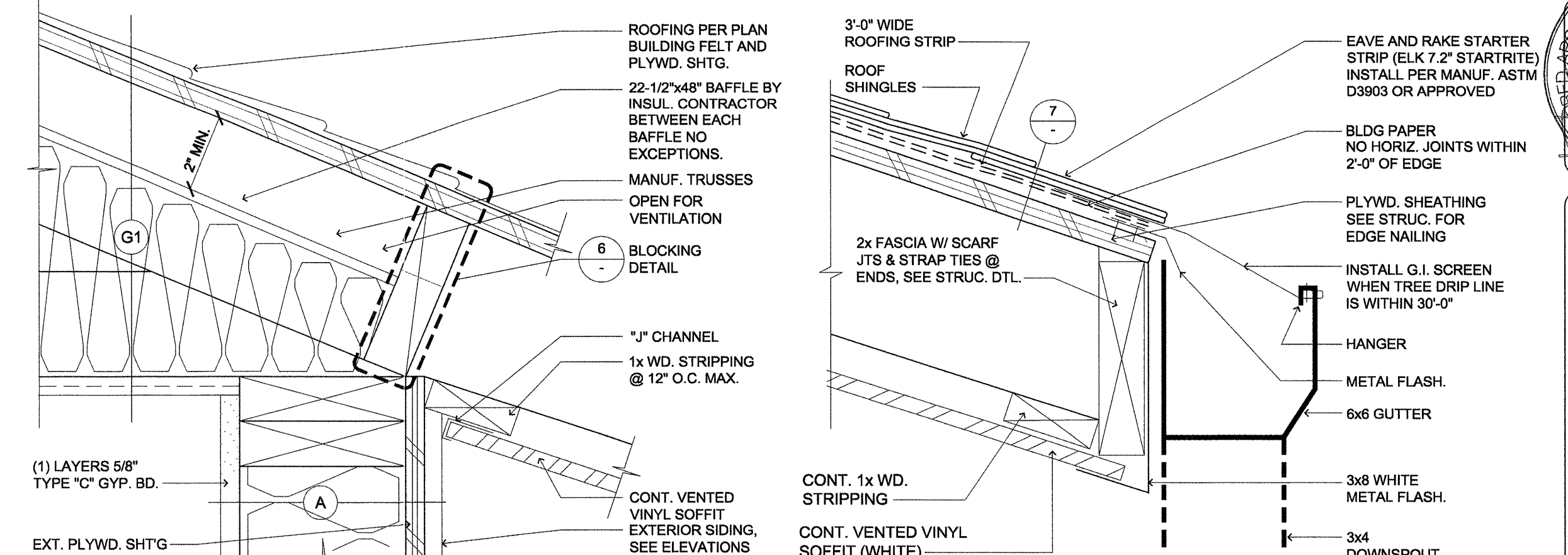


NOTE:
WRAP ENTIRE EXTERIOR OF BUILDING WITH BLDG PAPER (BY FORTIFIBER BUILDING SYSTEMS) ALL JOINTS TO BE TAPED WITH FORTIFIBER SHEATHING TAPE. SYSTEM MUST BE INSTALLED IN ACCORDANCE WITH MANUF. INSTALLATION INSTRUCTIONS TO PROVIDE 10 YR. WARRANTY TO GENERAL CONTRACTOR

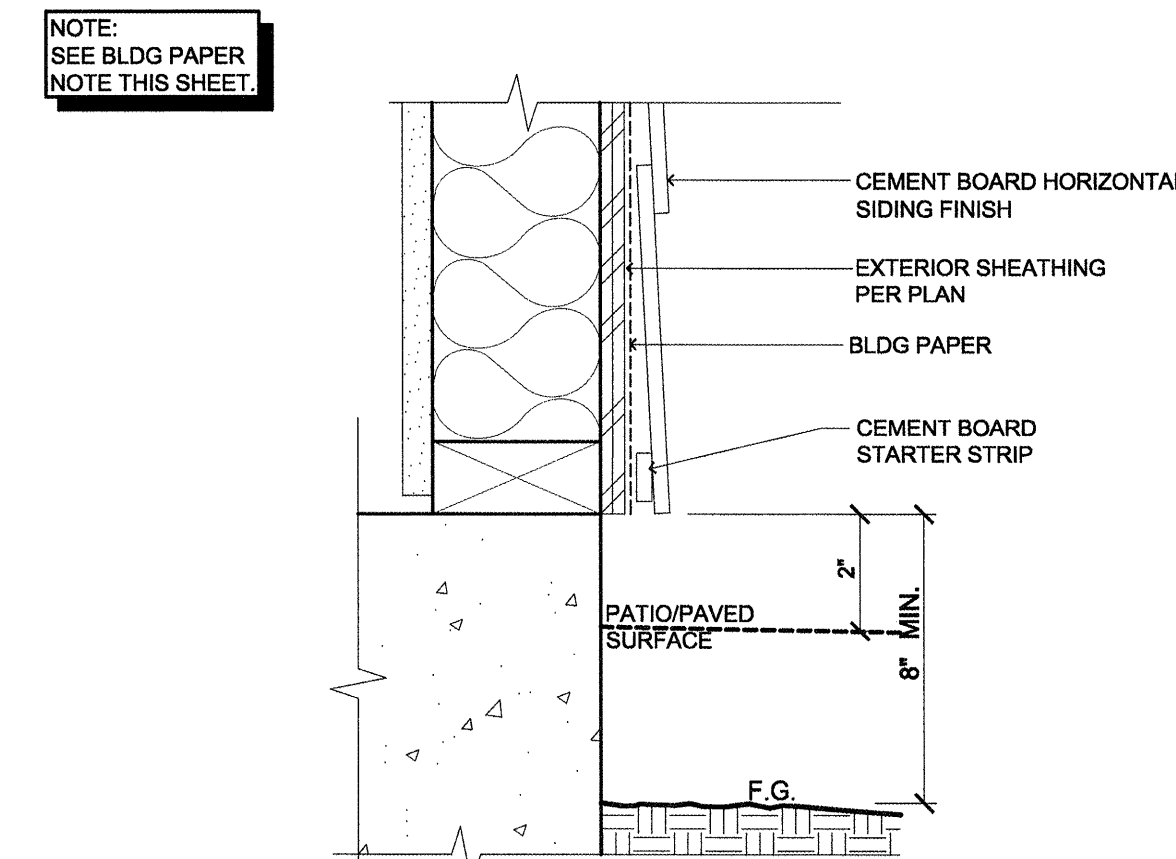


9 INSTALLATION DETAIL (DOWNSPOUT CONNECTION)
SCALE: N.T.S.

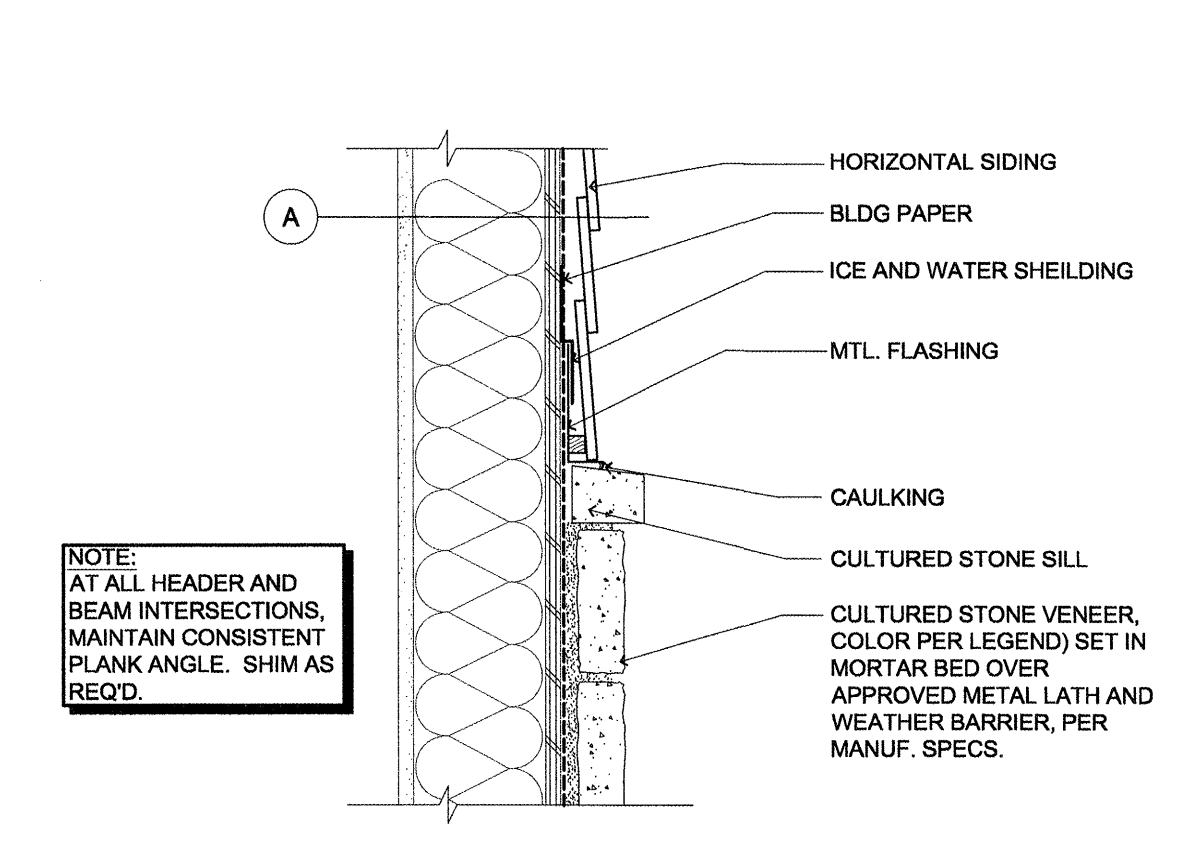


5 EXTERIOR WALL-ROOF INTERSECTION (TRUSSES BEARING ON WALL TOP PLATE)
SCALE: 3" = 1'-0"

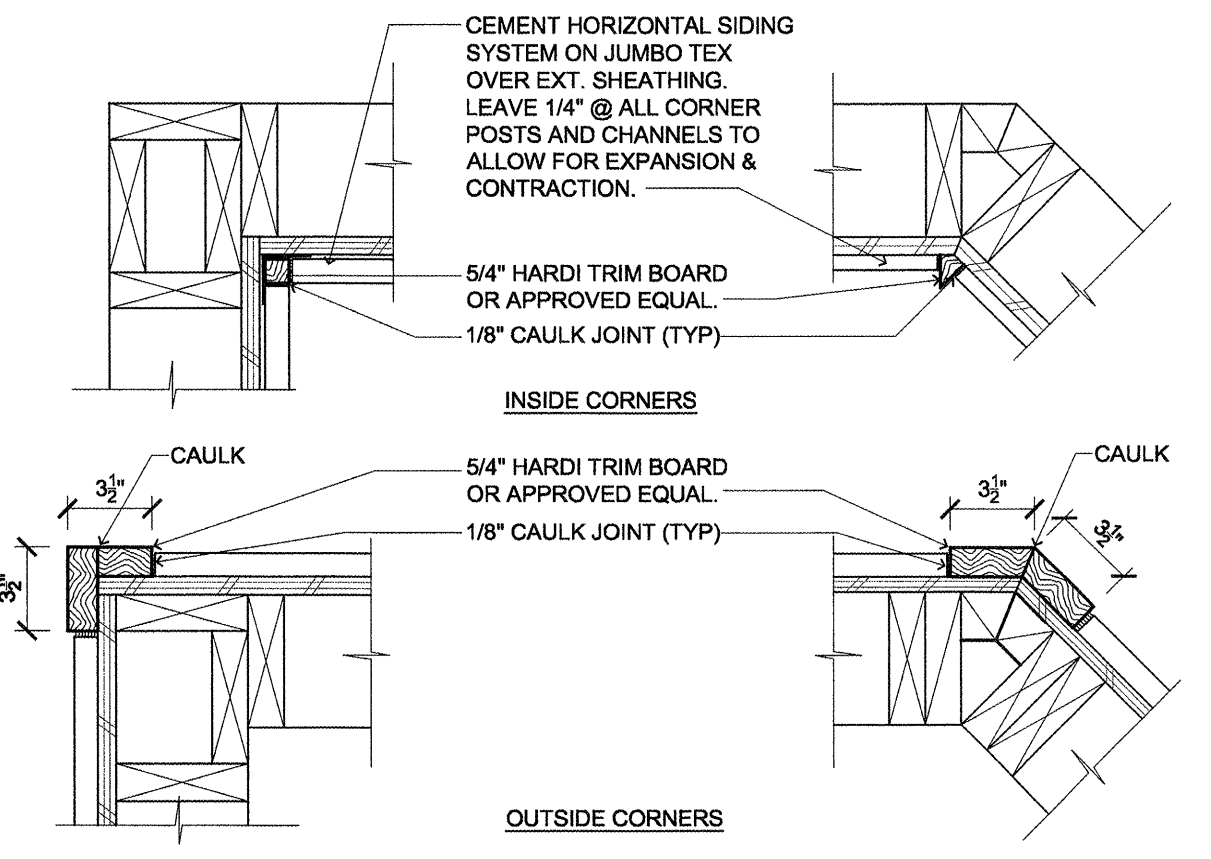
4 EAVE GUTTER ASSEMBLY (ROOF WITH COMPOSITION SHINGLES)
SCALE: 3" = 1'-0"



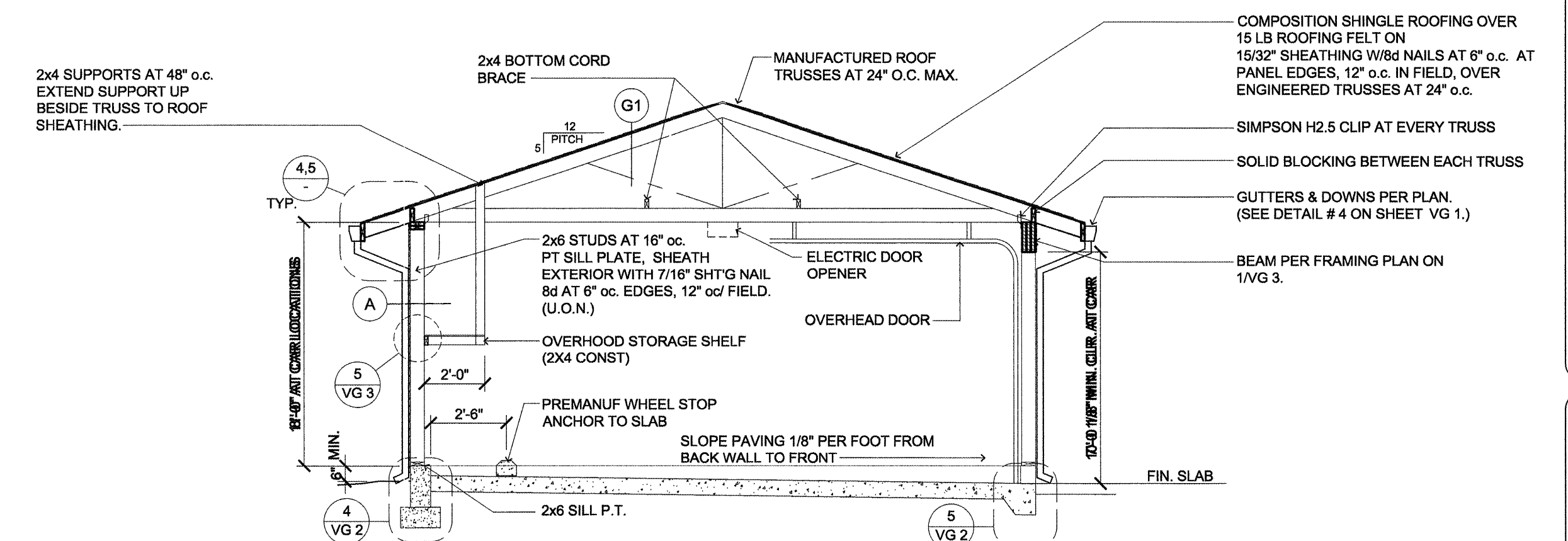
14 EXTERIOR WALL DETAIL (SIDING AT PORCH, PATIO, GRADE)
SCALE: 3" = 1'-0"



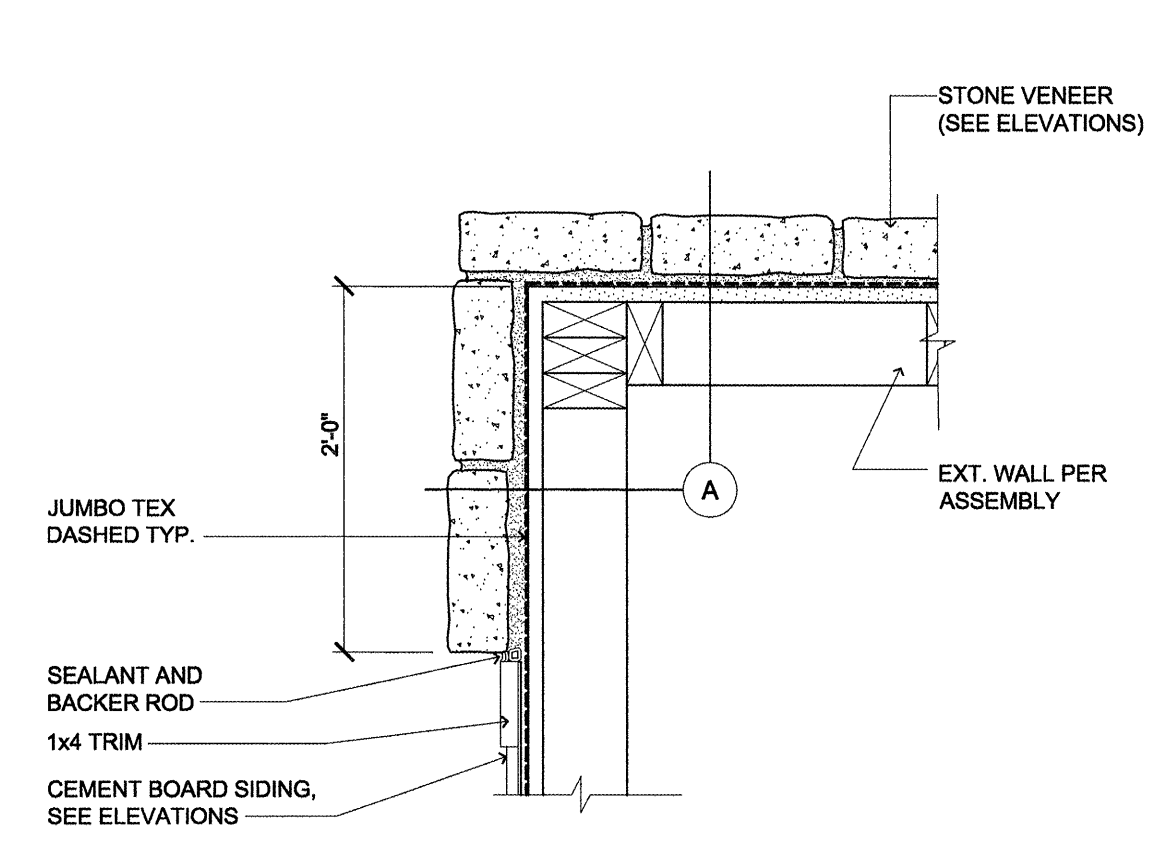
12 EXTERIOR WALL DETAIL (STONE / CEM. BRD. SIDING)
SCALE: 1-1/2" = 1'-0"



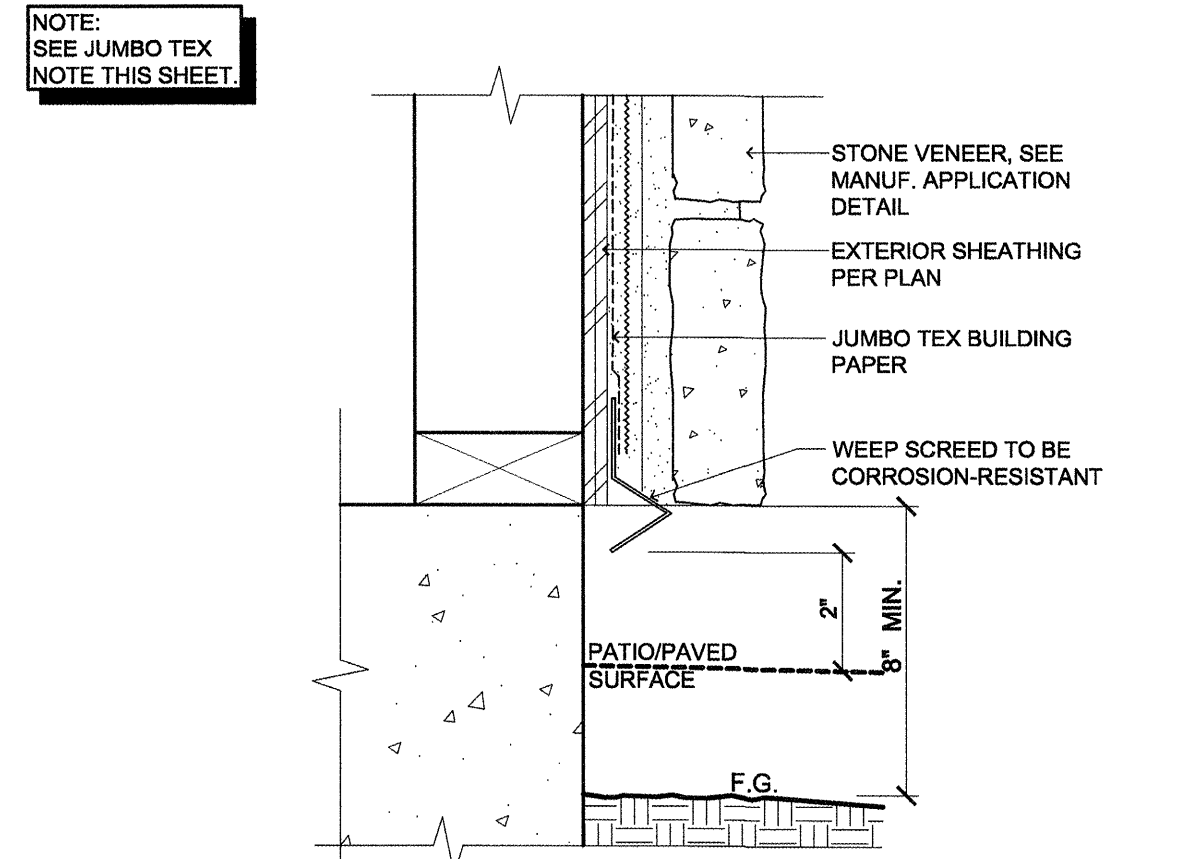
8 EXTERIOR WALL CORNERS (TYP. ASSEMBLIES - CEMENT SIDING)
SCALE: 1-1/2" = 1'-0"



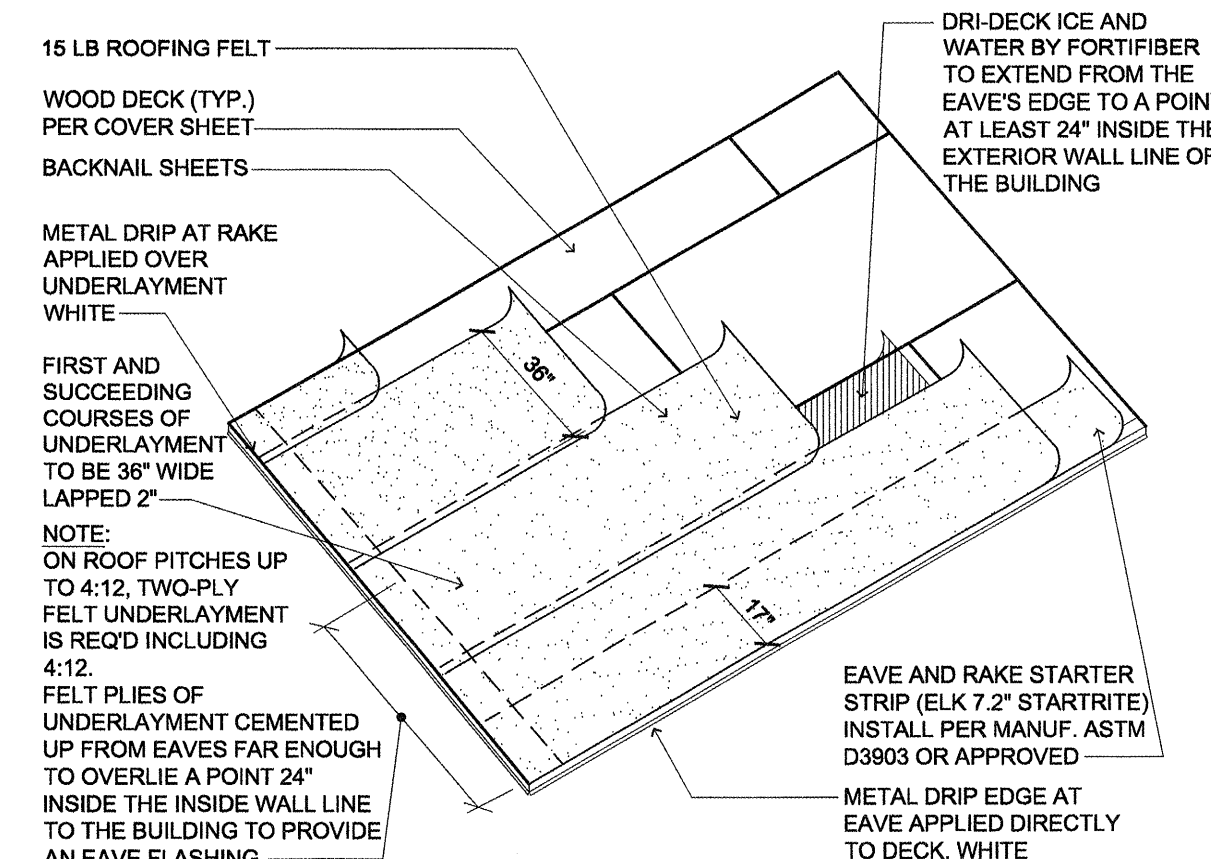
3 BUILDING SECTION (GARAGE/STORAGE)
SCALE: 1/4" = 1'-0"



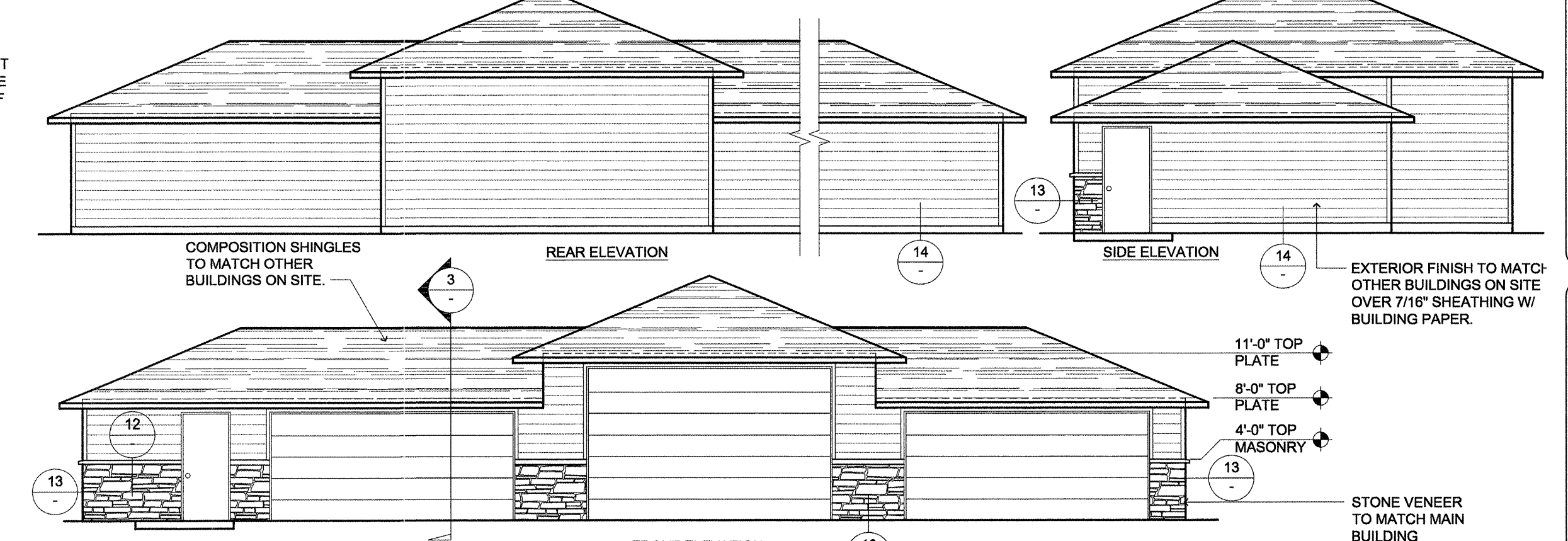
13 STONE VENEER (STONE AT TYPICAL OUTSIDE CORNER)
SCALE: 1-1/2" = 1'-0"



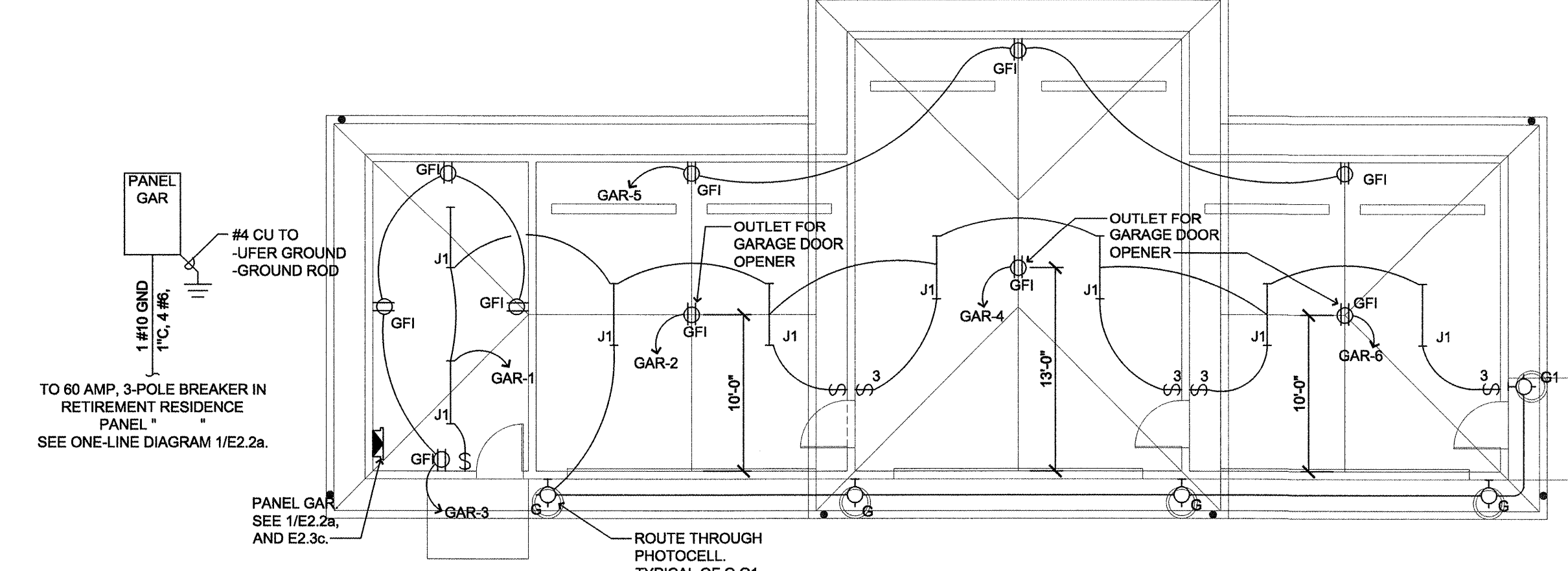
10 EXTERIOR WALL DETAIL (WEEP SCREED)
SCALE: 3" = 1'-0"



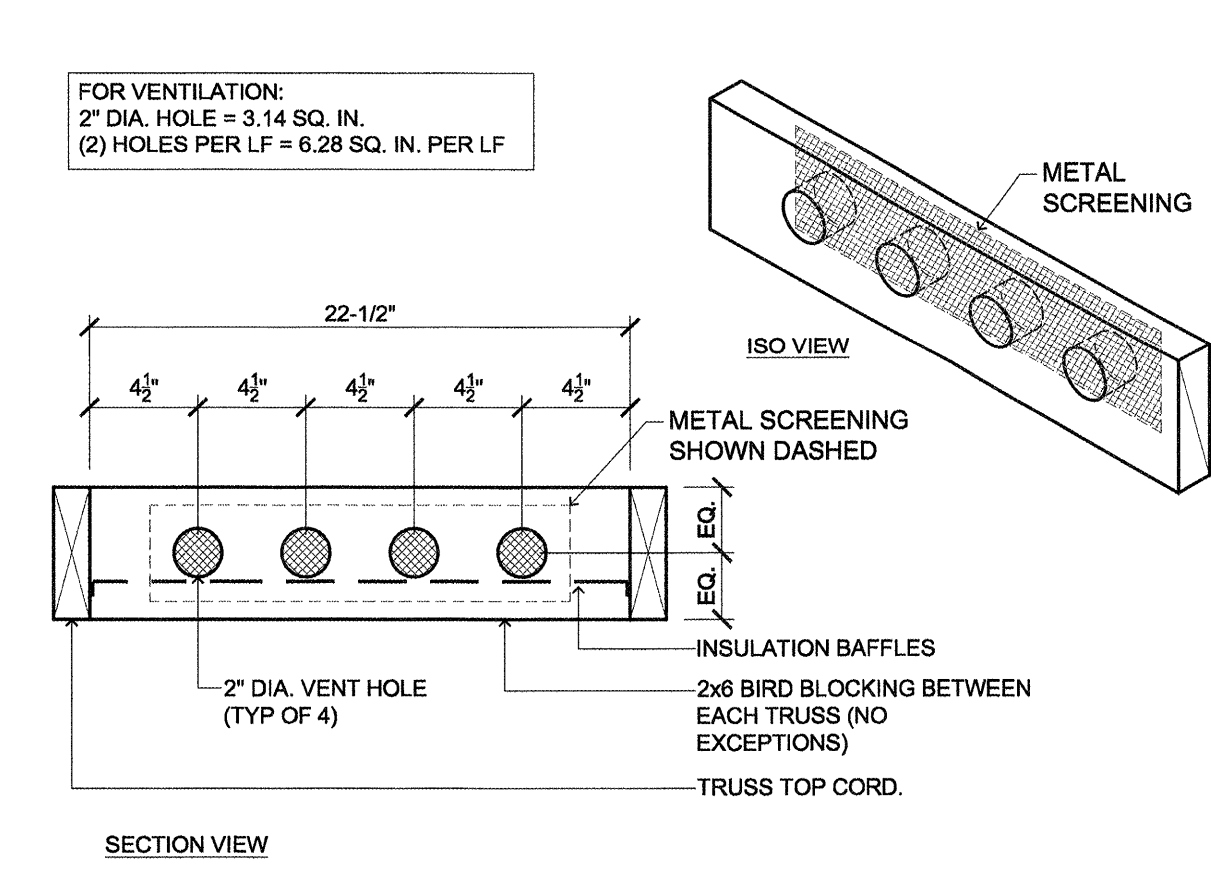
7 ROOF UNDERLAYMENT (ASSEMBLY DETAIL)
SCALE: N.T.S.



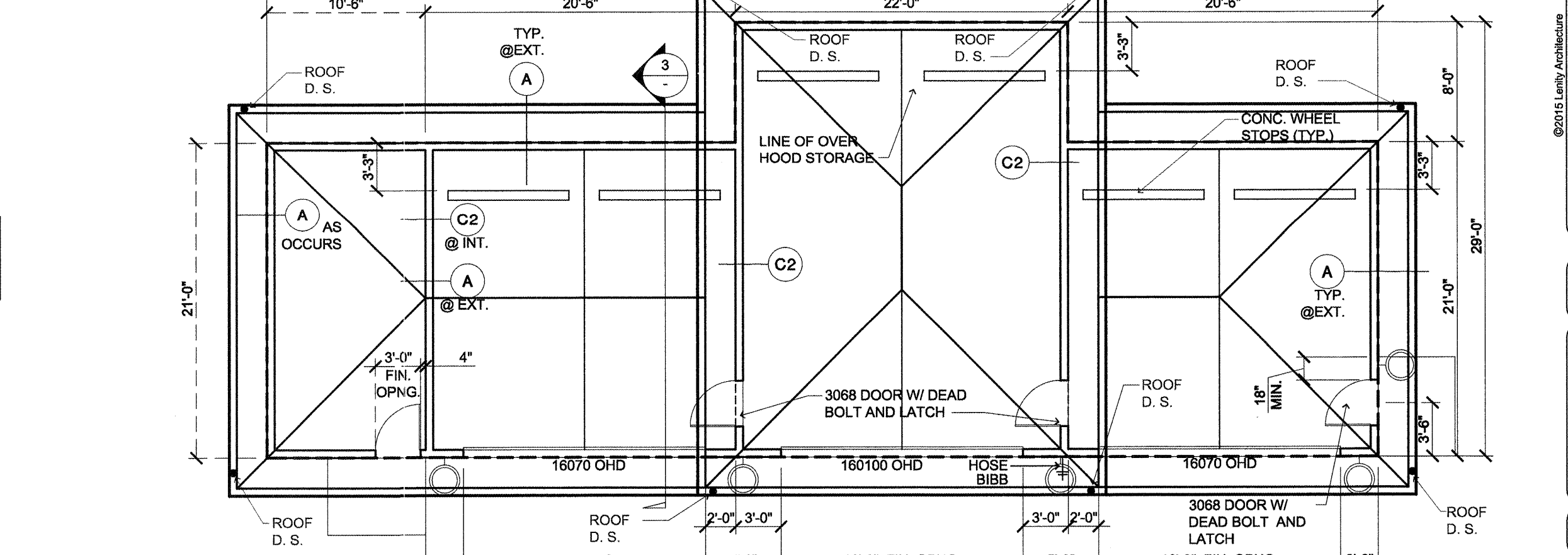
2 ELEVATIONS (GARAGE WITH VAN ALLOWANCE)
SCALE: 1/8" = 1'-0"



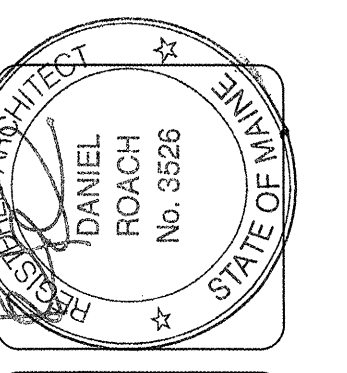
11 ELECTRICAL PLAN (GARAGE W/ REAR PUSH-OUT VAN ALLOWANCE)
SCALE: 1/8" = 1'-0"



6 EXTERIOR EAVE BLOCKING (TRUSSES BEARING ON WALL TOP PLATE)
SCALE: 1-1/2" = 1'-0"



1 PLAN (GARAGE W/ REAR PUSH-OUT VAN ALLOWANCE)
SCALE: 1/8" = 1'-0"



lenity
architecture
3150 Wells Court, SE, Salem, Oregon 97301
P: 503.399.1030 W: lenityarchitecture.com

COLSON AND COLSON
GENERAL CONTRACTOR, INC.
2280 McCLURIST STREET, SUITE 200
SALEM, OREGON, 97302
PHONE (503) 586-7401

PORTLAND RETIREMENT RESIDENCE
802 OCEAN AVE. PORTLAND, MAINE 04103

VAN GARAGE PLAN AND DETAILS

DATE: 8/28/2015

REVISED DATE: 9/22/2015

SHEET

VG1

DATE: 02/01/15 2:31 PM [name] 303.20202015 137 PM [name] File: P:\main\main\portland\retirement garage\1 plan.vg1 V01