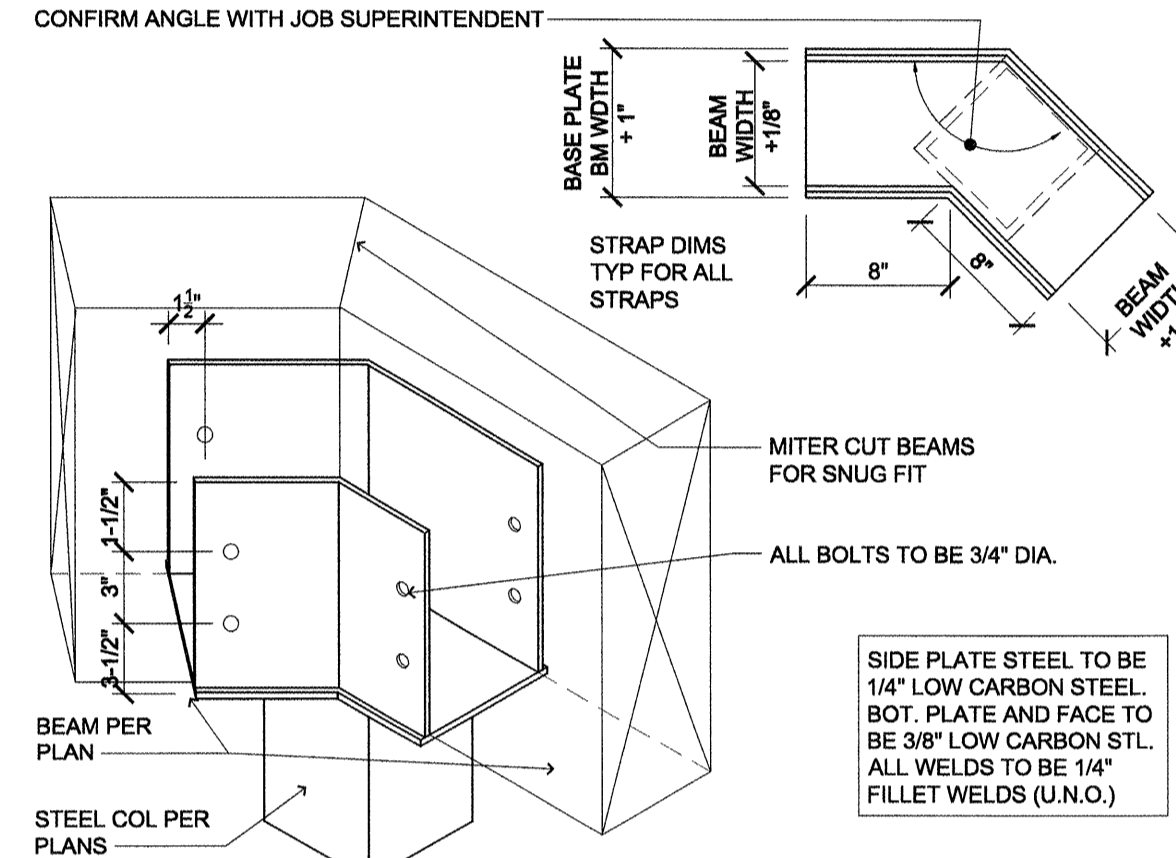
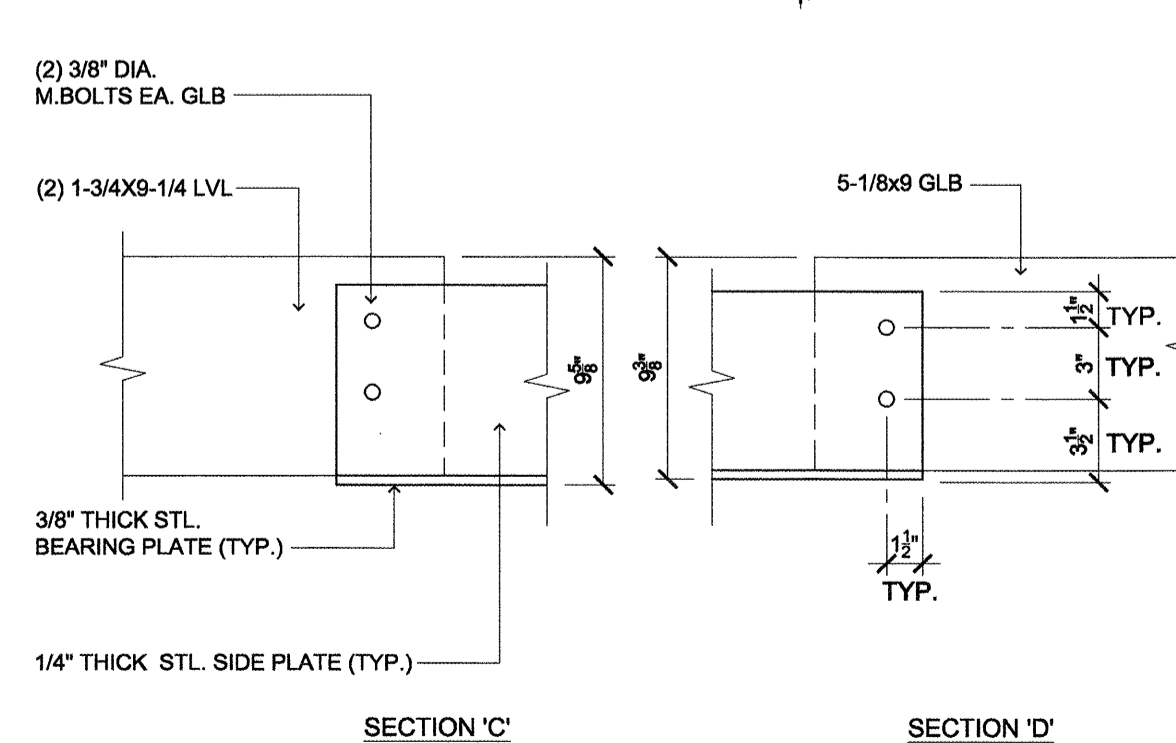
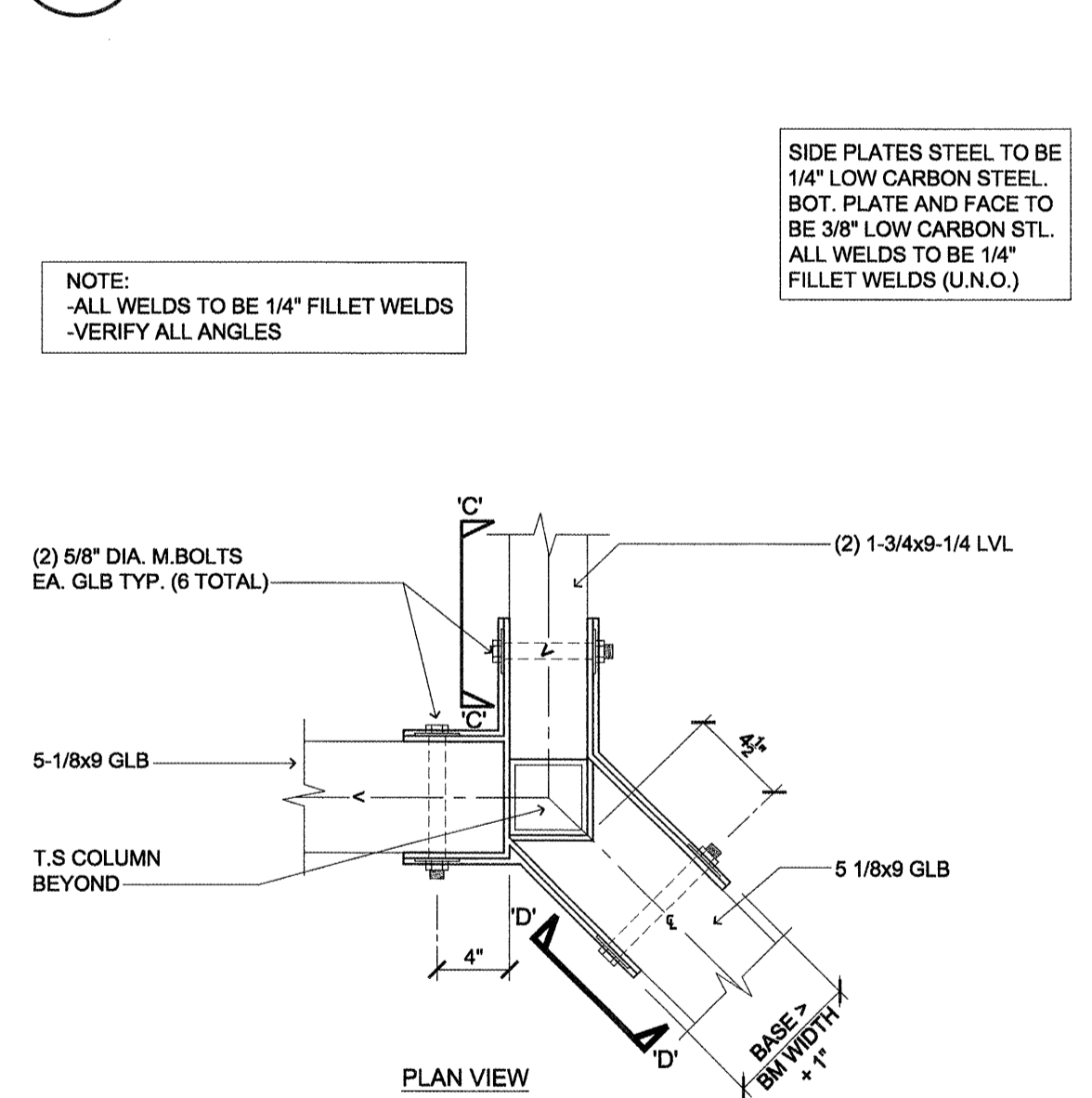


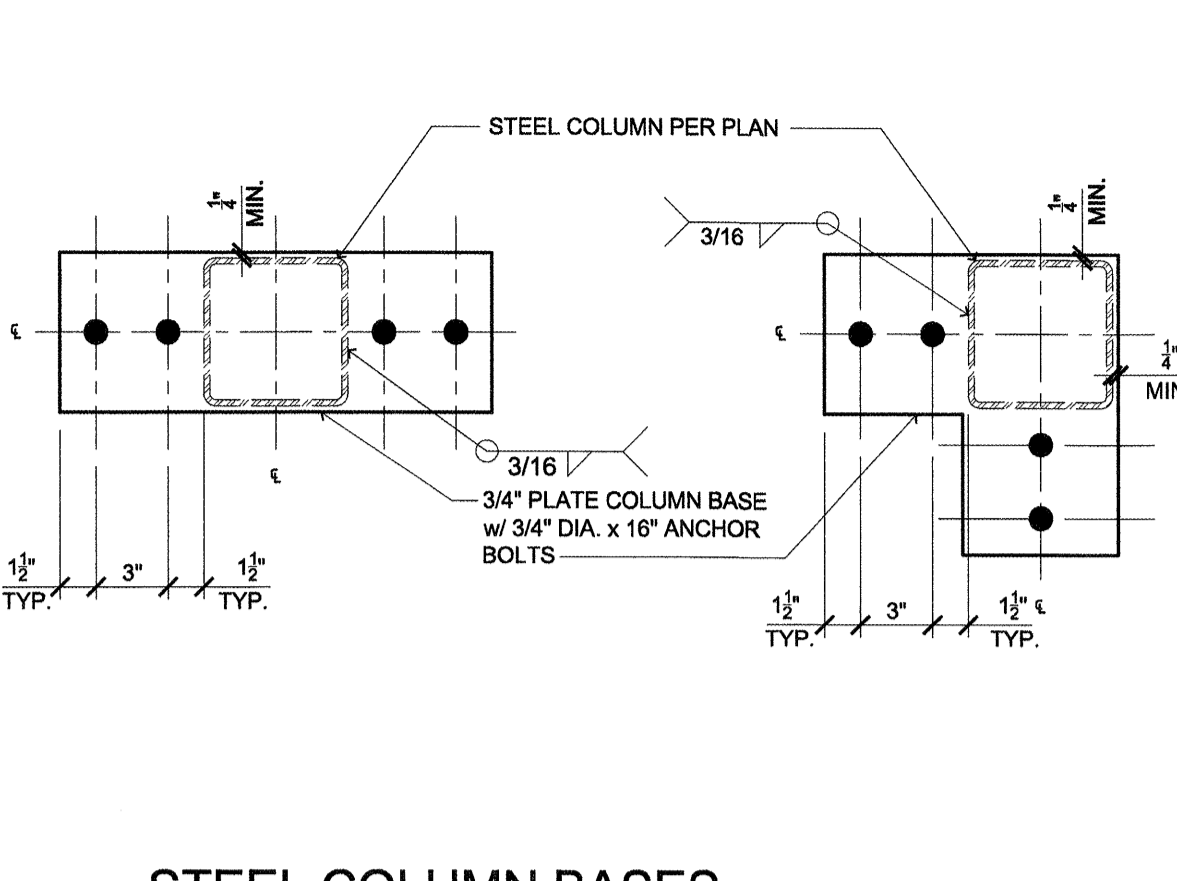
**A4** SCALE: N.T.S. T:\06\WDP\LS150\WDM\TL0615004



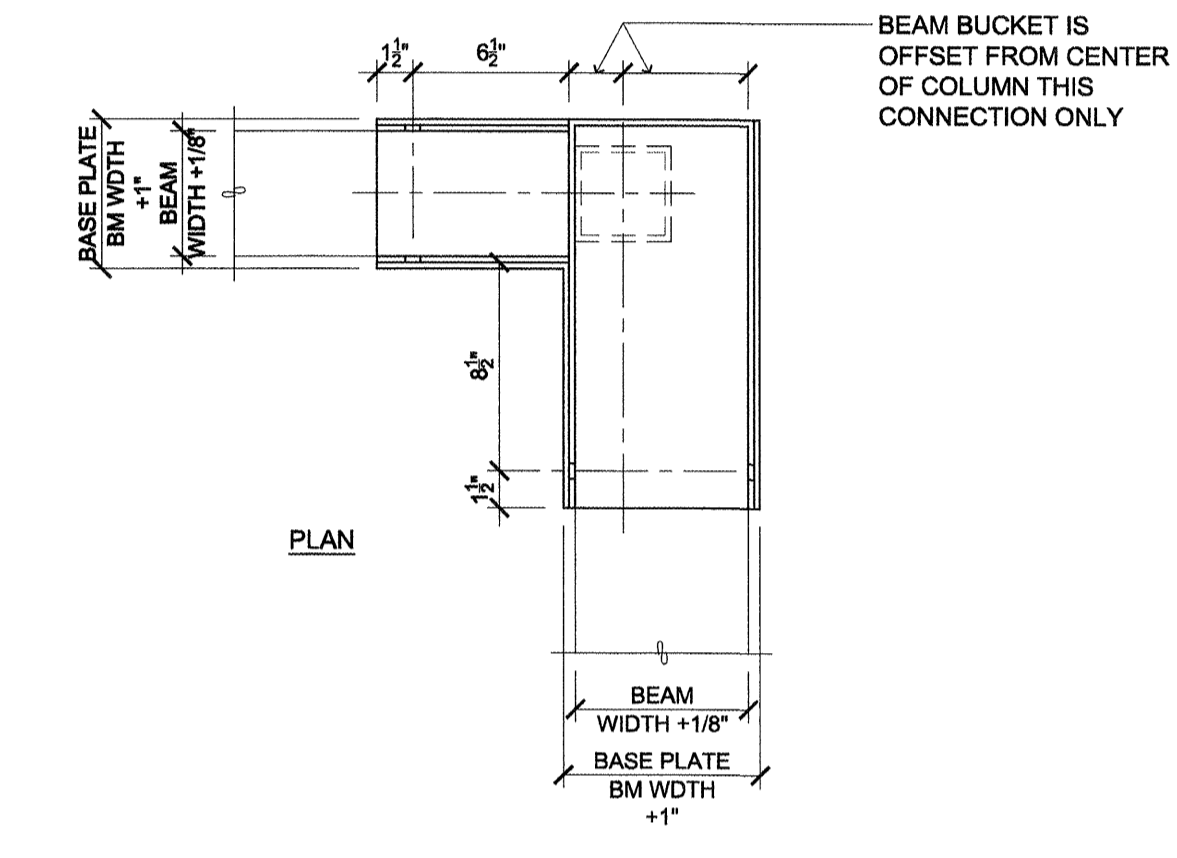
**A3** SCALE: N.T.S. T:\06\WDP\LS150\WDM\TL0615003



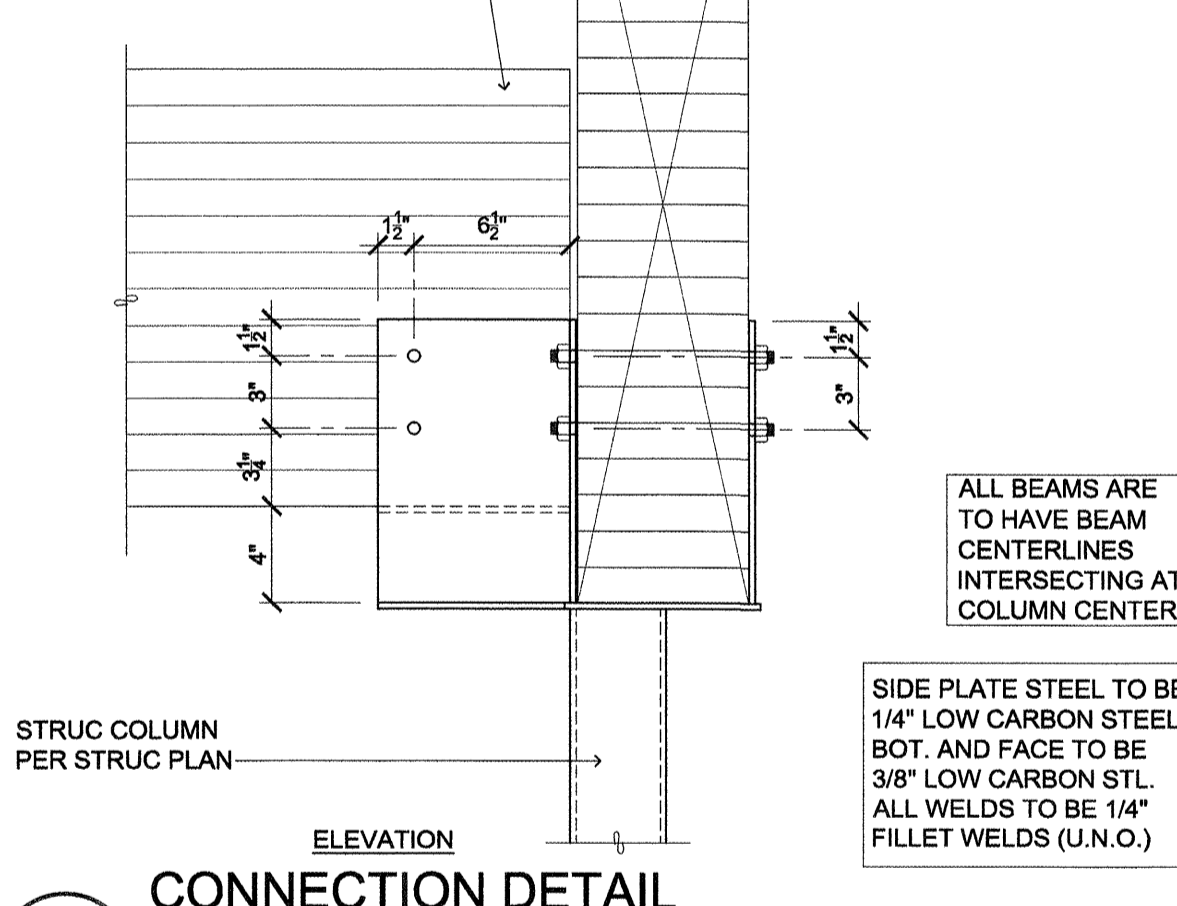
**A1** SCALE: NOT TO SCALE (1:8) T:\06\WDP\LS150\WDM\TL0615002



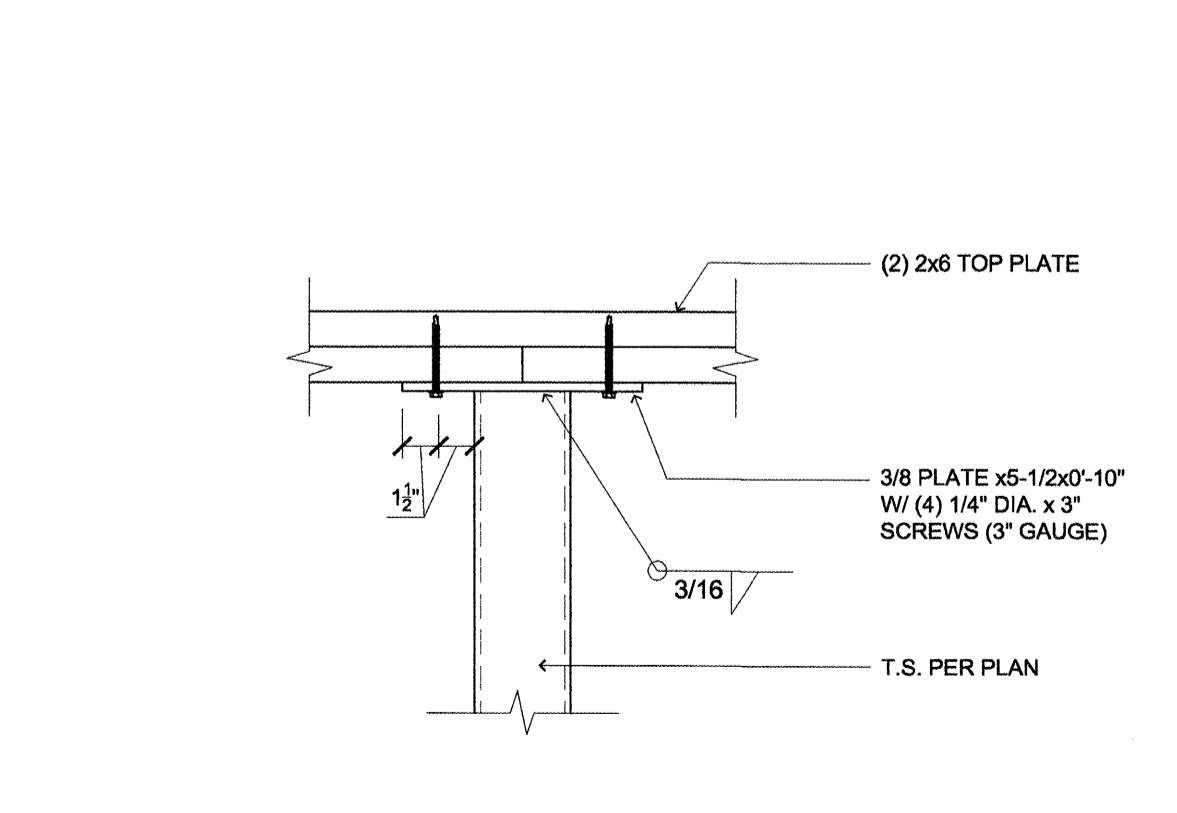
**13** SCALE: N.T.S. (1:8) T:\03\CONC\020\CAS1\0330020



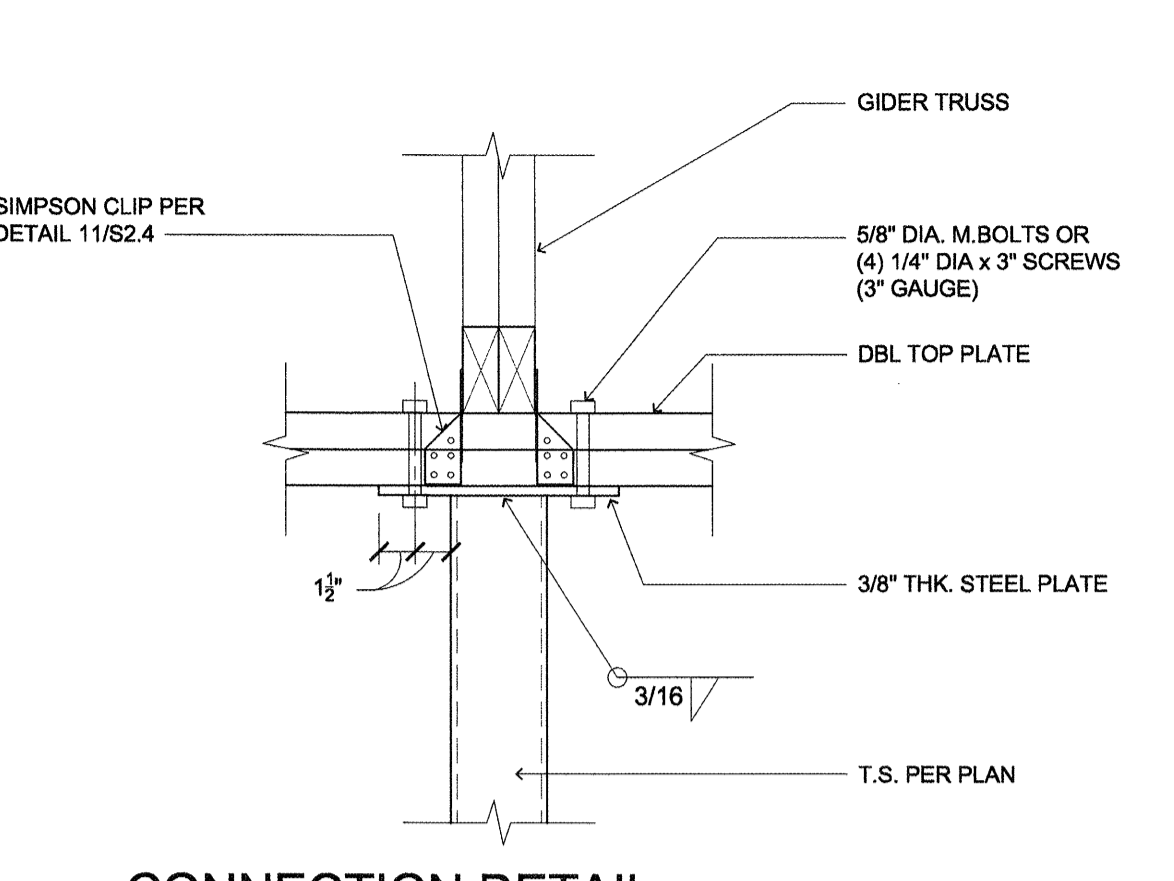
**10** SCALE: N.T.S. (1:8) T:\06\WDP\LS150\WDM\TL0615002



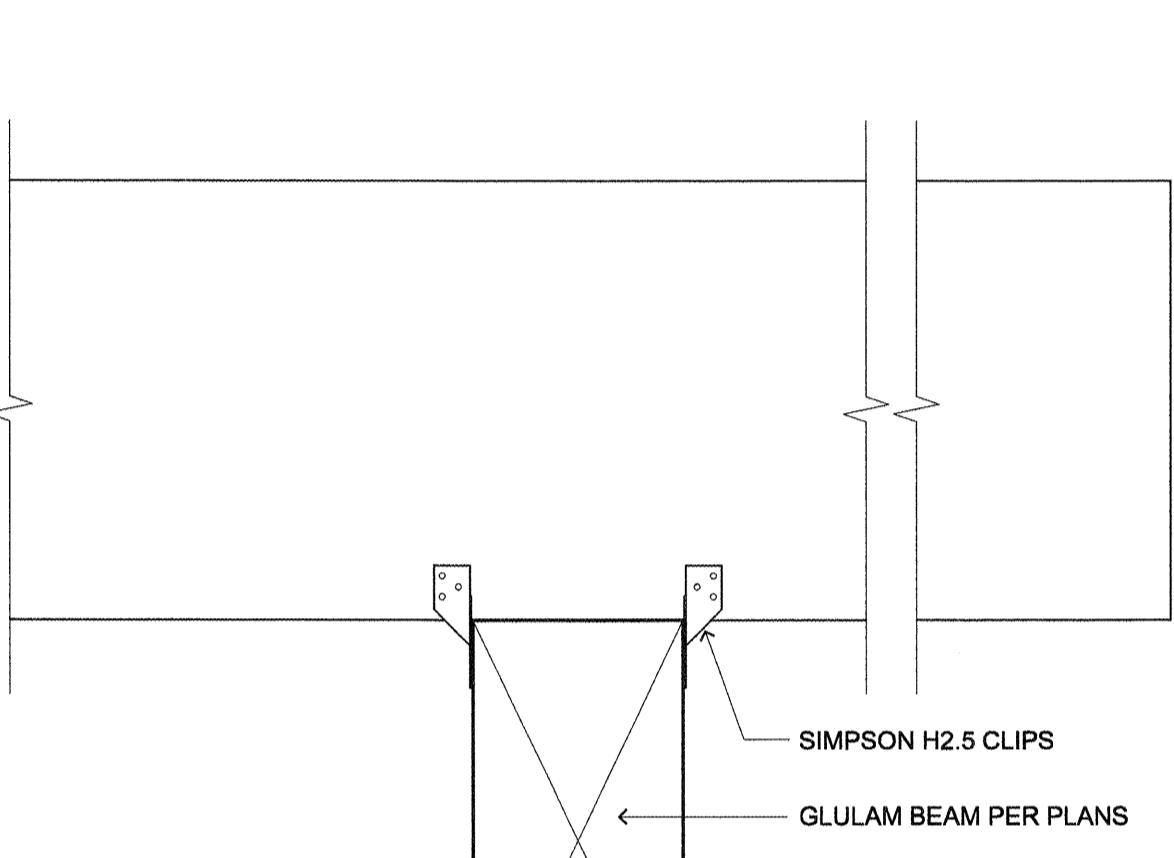
**9** SCALE: 1-1/2" = 1'-0" (1:8) T:\06\WDP\LS150\WDM\TL0615002



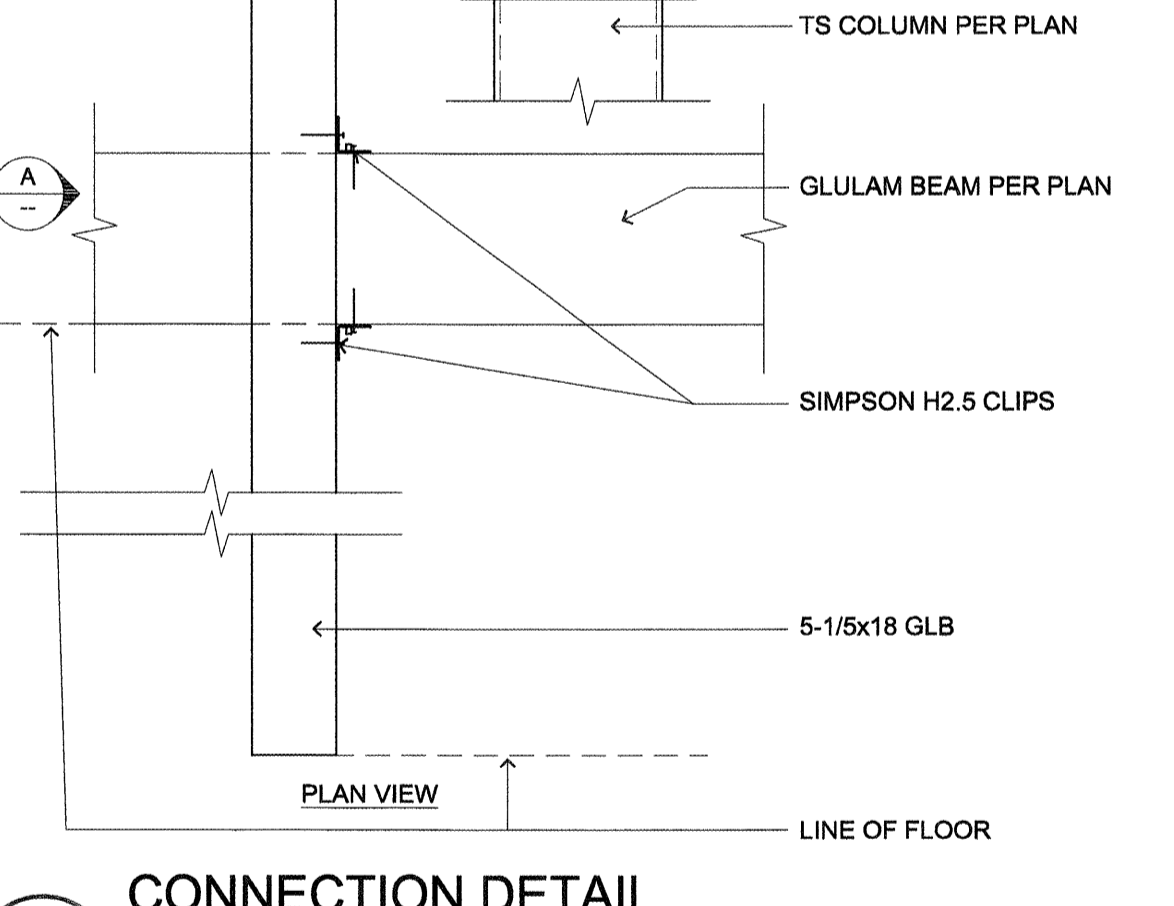
**11** SCALE: N.T.S. (1:8) T:\06\WDP\LS150\WDM\TL0615001



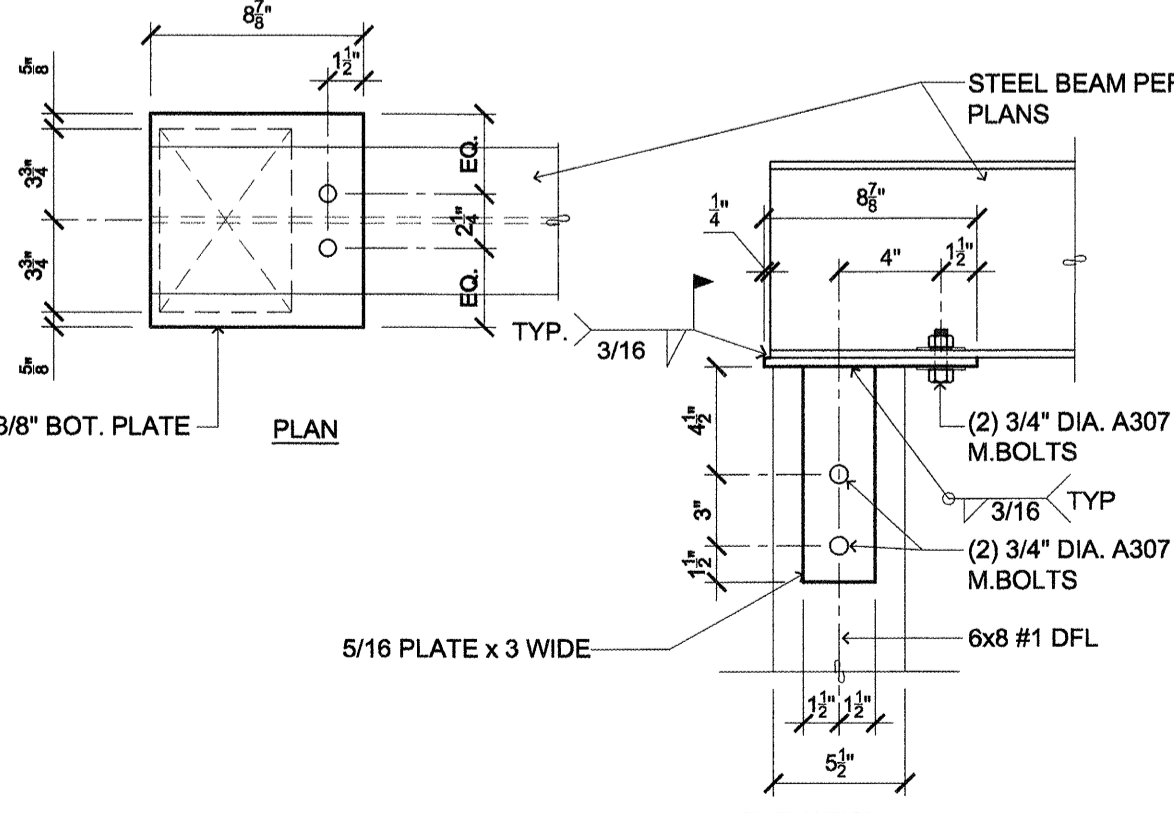
**7** SCALE: 1" = 1'-0" T:\06\WDP\LS150\WDM\TL0615005



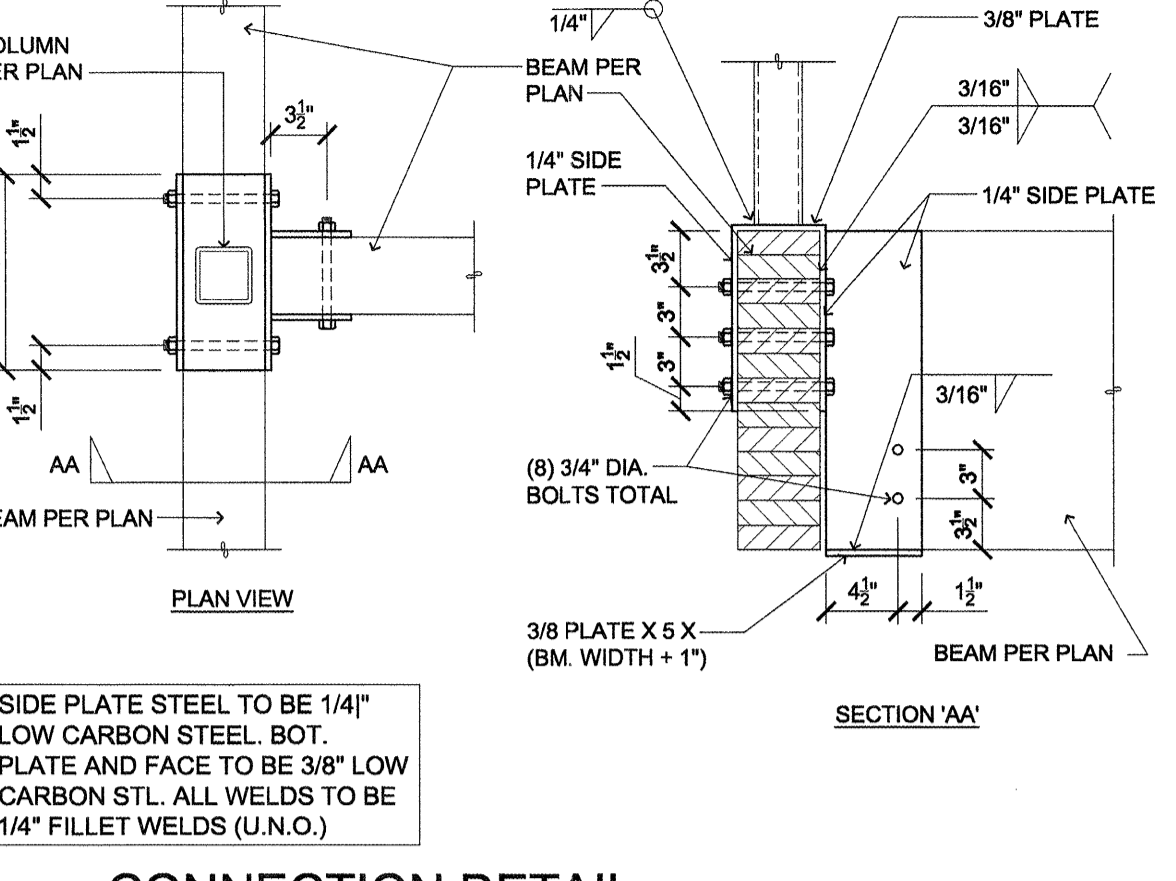
**6** SCALE: N.T.S. T:\06\WDP\LS150\WDM\TL0615008



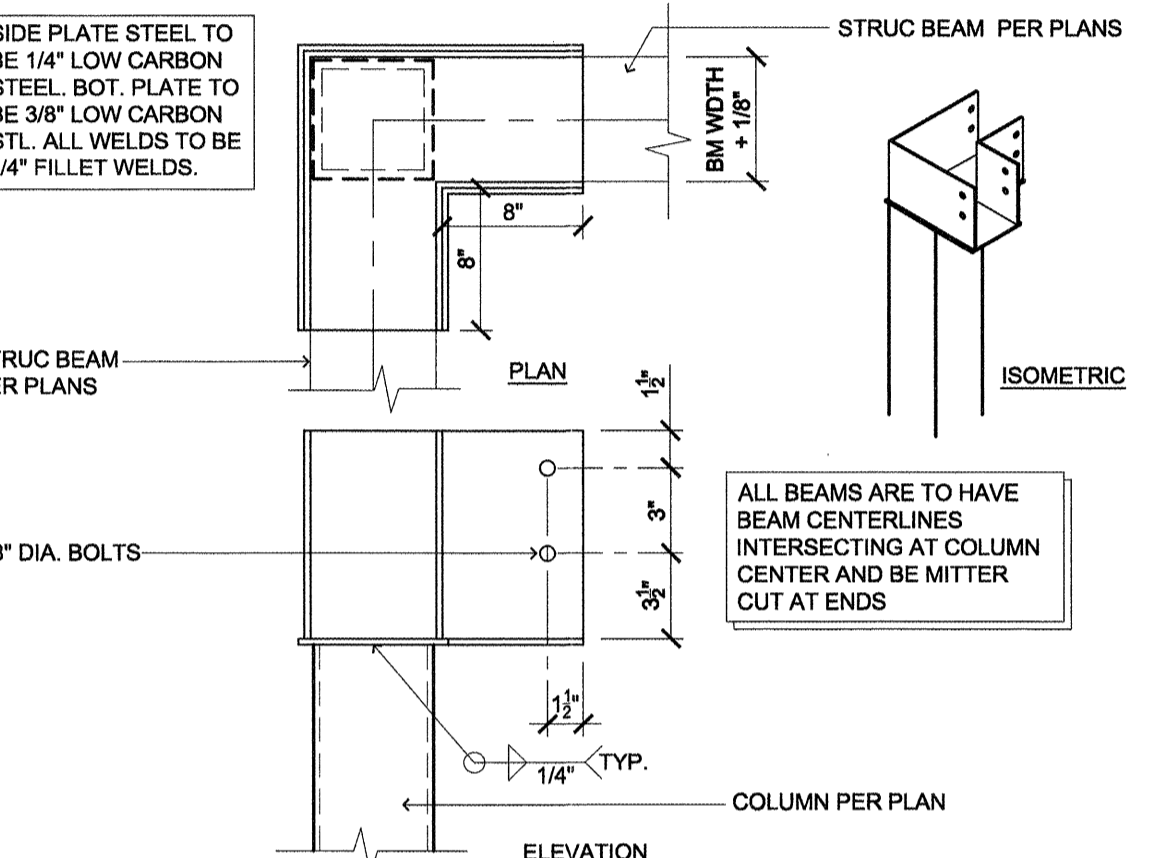
**5** SCALE: 1 1/2" = 1'-0" T:\06\WDP\LS150\WDM\TL0615005



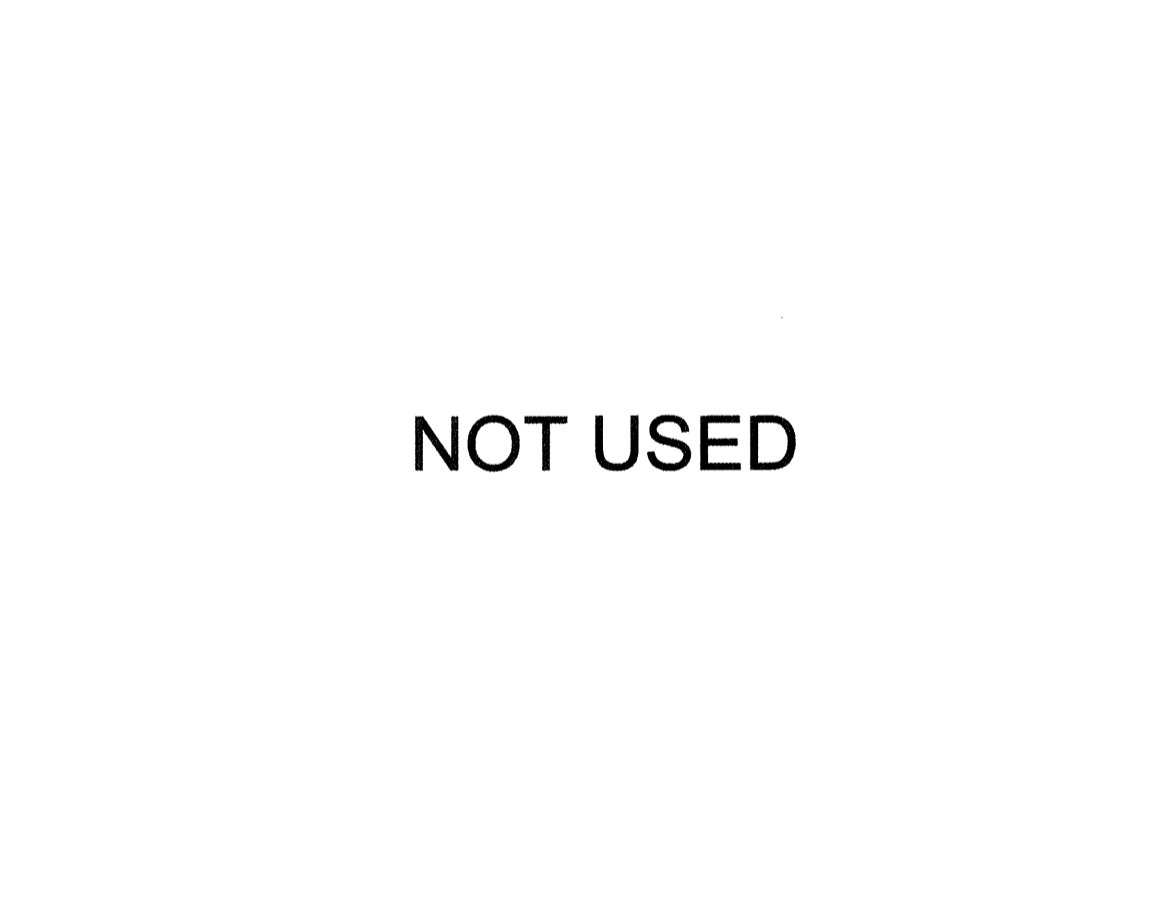
**4** SCALE: N.T.S. (1:8) T:\06\WDP\LS150\WDM\TL0615016



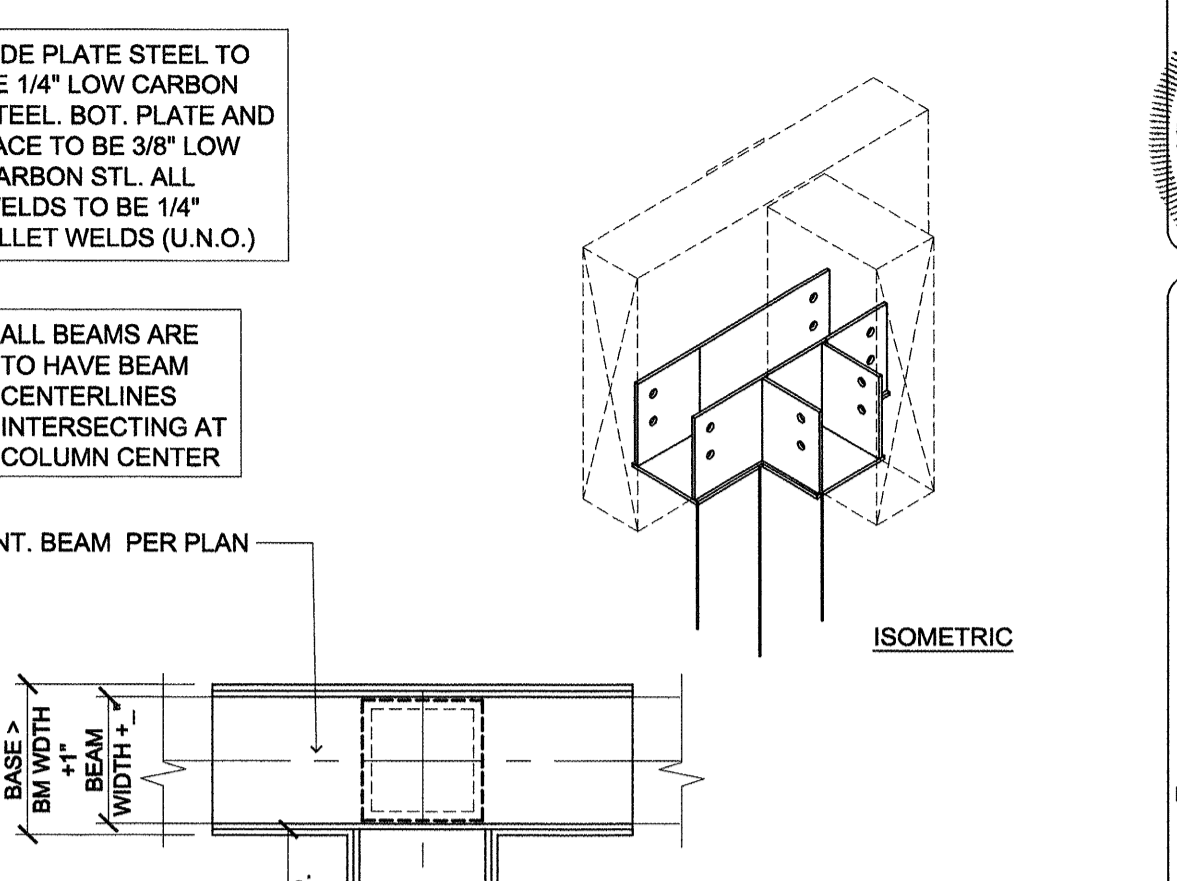
**3** SCALE: N.T.S. (1:8) T:\06\WDP\LS150\WDM\TL0615013



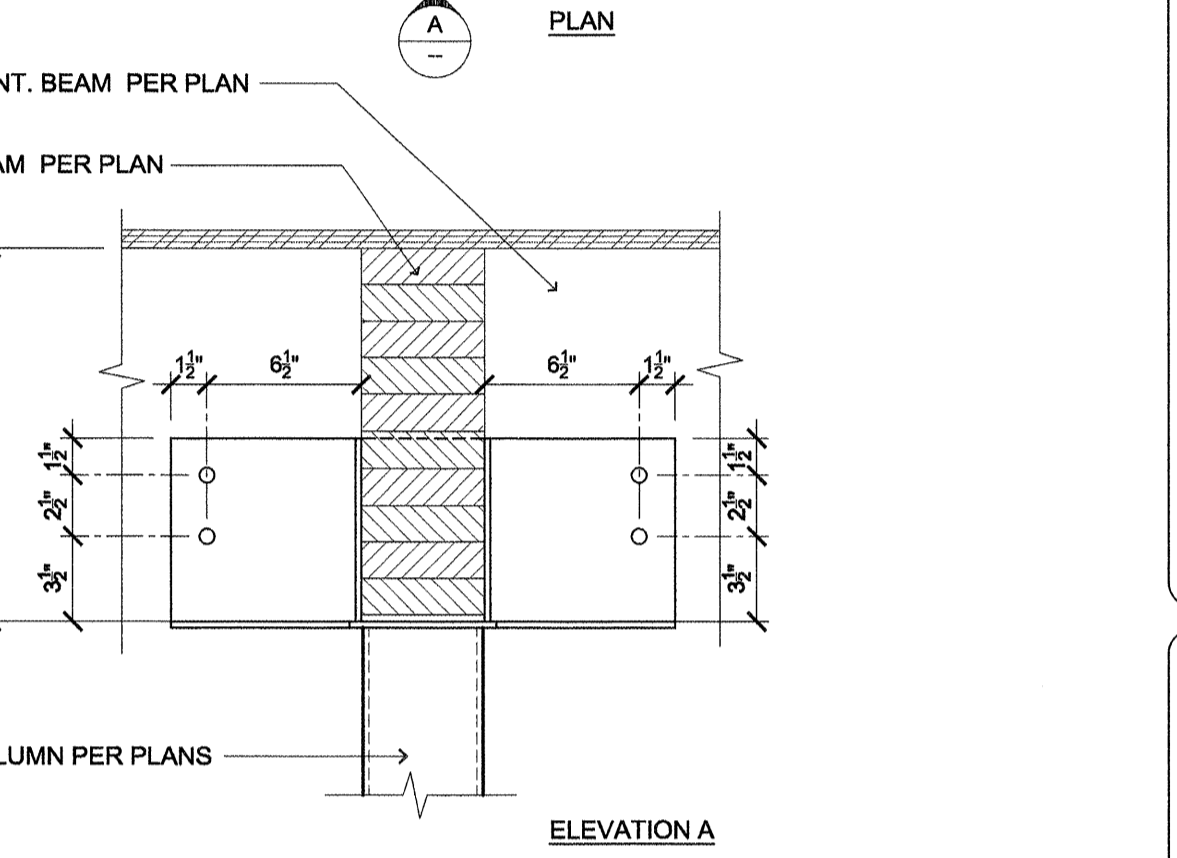
**2** SCALE: 1 1/2" = 1'-0" T:\06\WDP\LS150\WDM\TL0615008



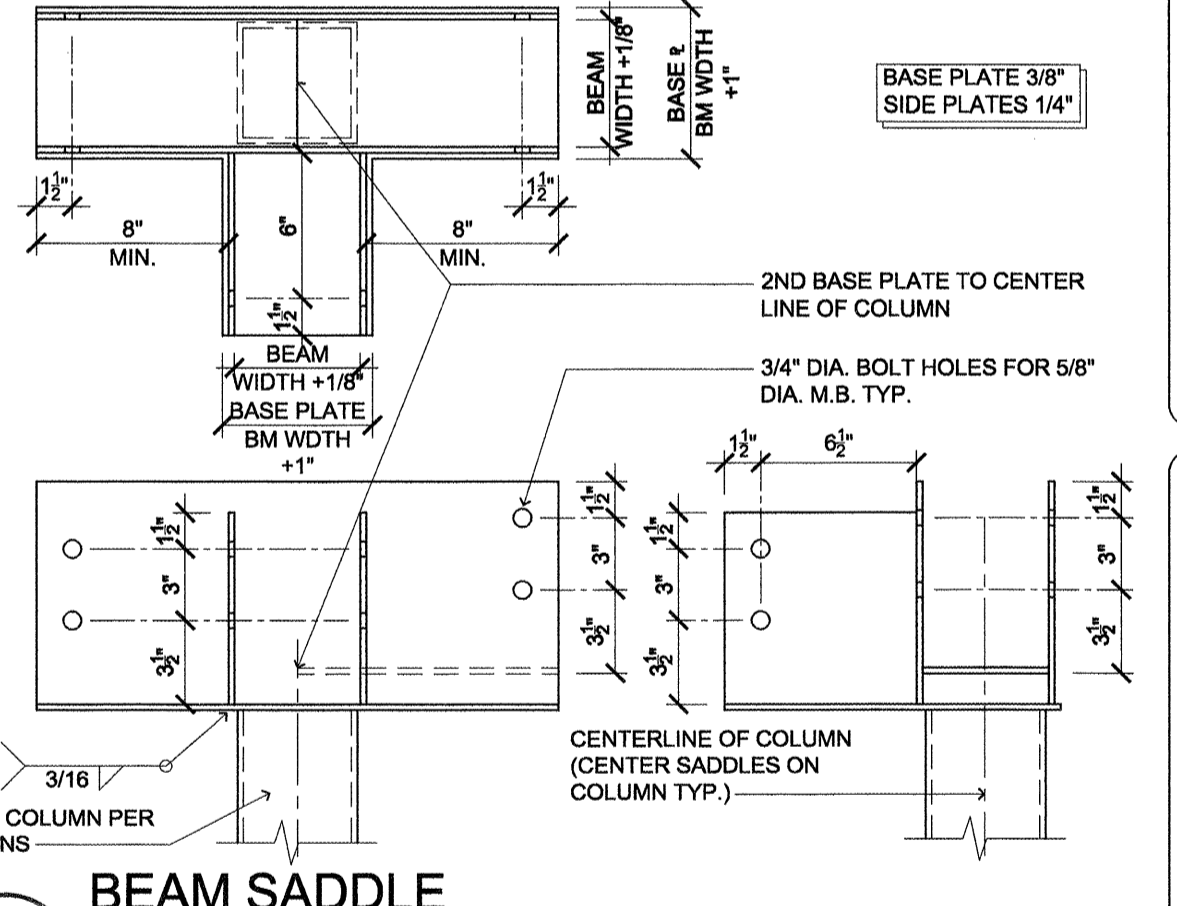
**1** SCALE: N.T.S. (1:8) T:\06\WDP\LS150\WDM\TL0615014



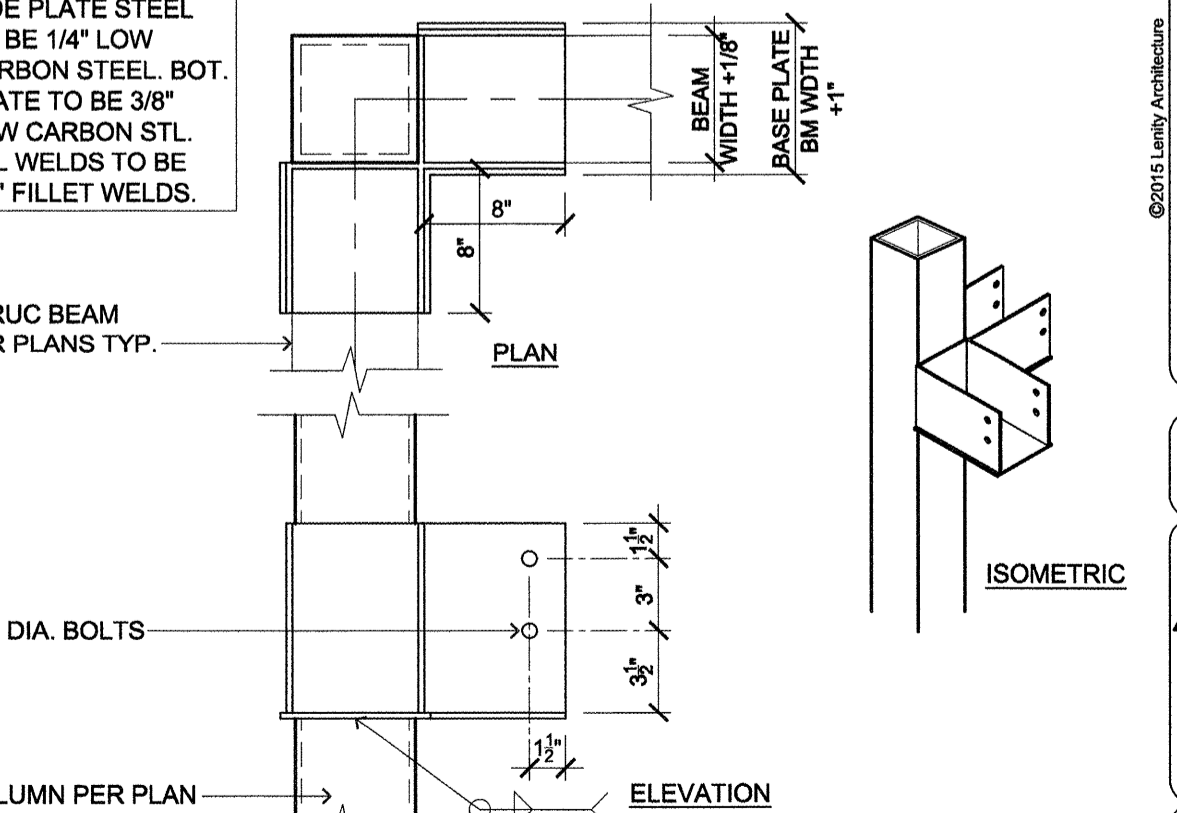
**1** SCALE: N.T.S. (1:8) T:\06\WDP\LS150\WDM\TL0615014



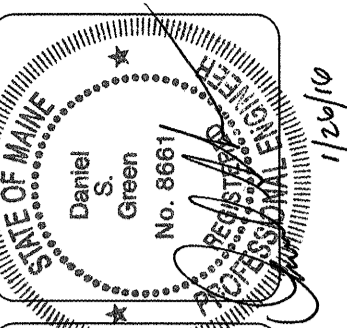
**2** SCALE: 1 1/2" = 1'-0" T:\06\WDP\LS150\WDM\TL0615008



**3** SCALE: N.T.S. (1:8) T:\06\WDP\LS150\WDM\TL0615013



**4** SCALE: N.T.S. (1:8) T:\06\WDP\LS150\WDM\TL0615016



**lenity architecture**  
3150 Kettie Court SE, Salem, Oregon 97302  
P: 503 399 0590 F: 503 399 0585 W: lenityarchitecture.com

**COLSON AND COLSON**  
GENERAL CONTRACTOR, INC.  
2280 MCGILCHRIST STREET SE, SUITE 200  
SALEM, OREGON 97302  
PHONE (503) 586-7401

**PORTLAND**  
RETIREMENT RESIDENCE  
802 OCEAN AVE. PORTLAND, MAINE 04103

**CONNECTION**  
**DETAILS**

DATE: 8/28/2015  
REVISED DATE: 9/22/2015  
**SHEET**  
**S3.2**

NOT USED

www.11/11/2015 4:28 PM endrow.pdf (2/26/2015 11:57 AM) record: http://baahome.com/portal/portal/03.2\_structural\_connections.dwg 33.2