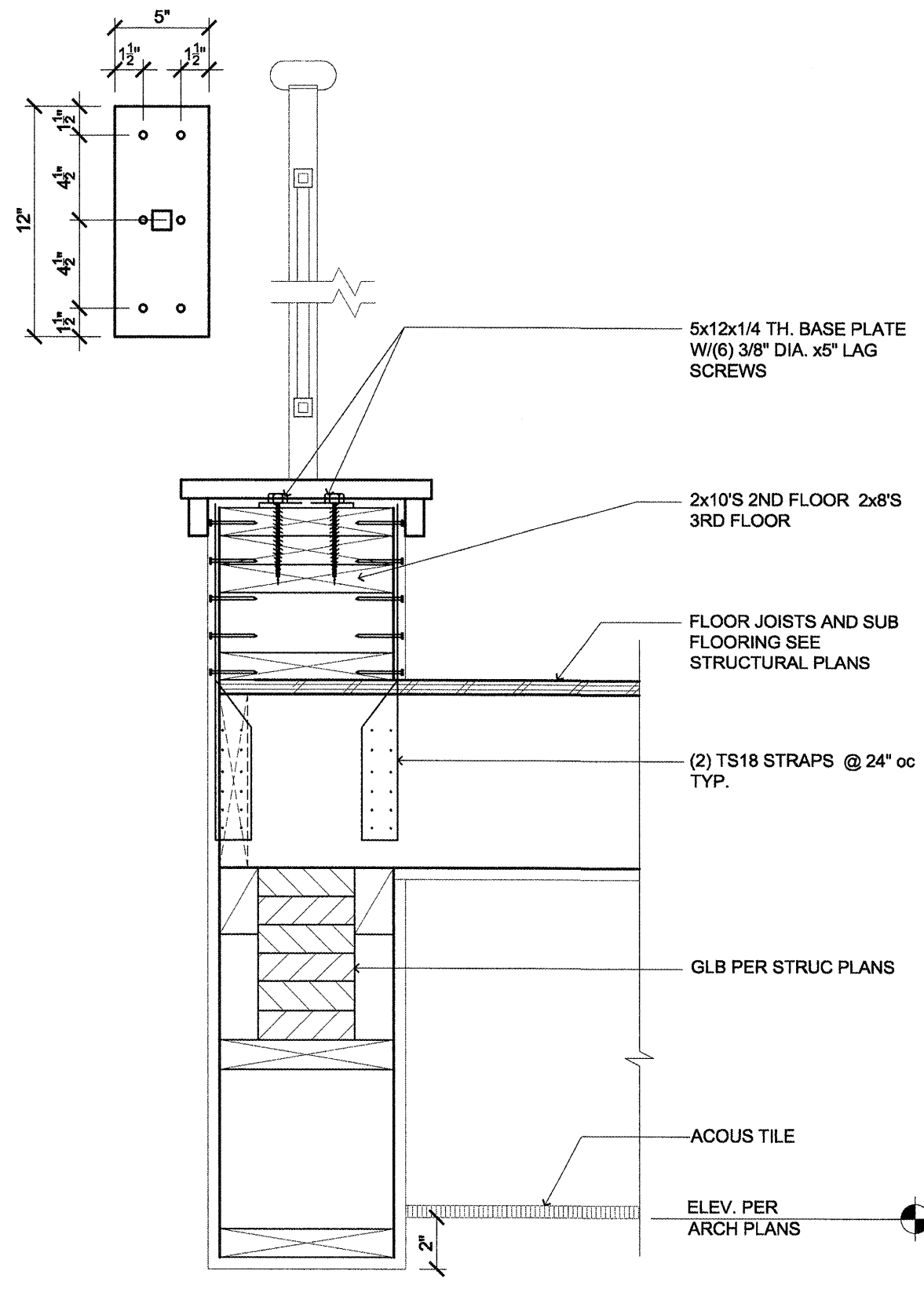
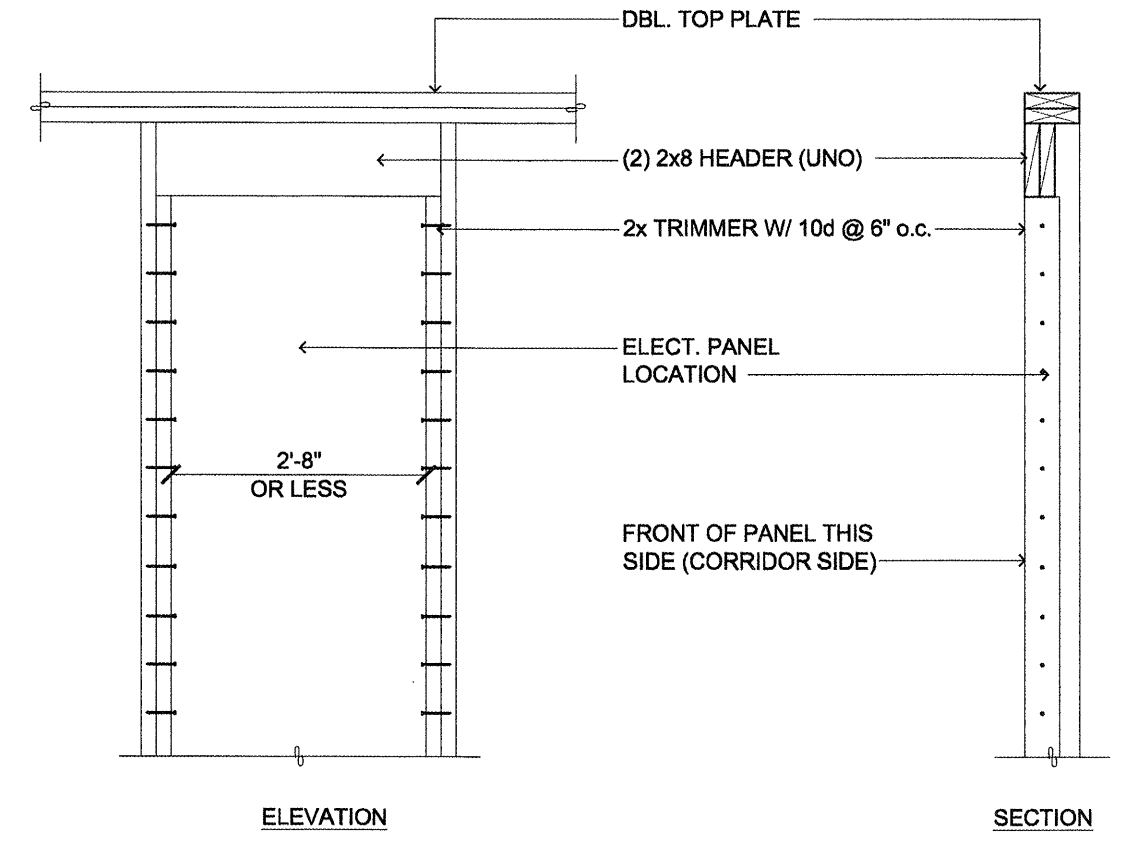


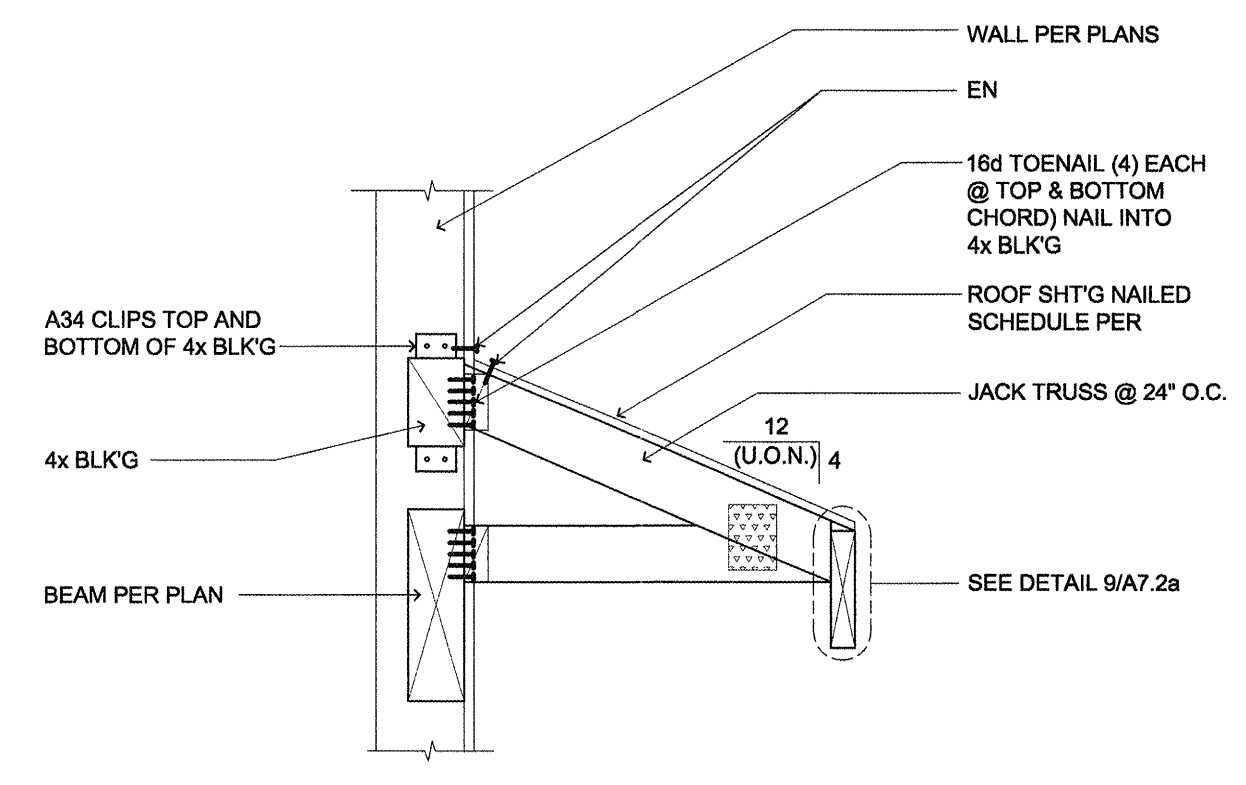
12 ATTIC CATWALK
(TYP. CONDITION - HEIGHT VARIES AT EQUIP.)
SCALE: 1" = 1'-0"



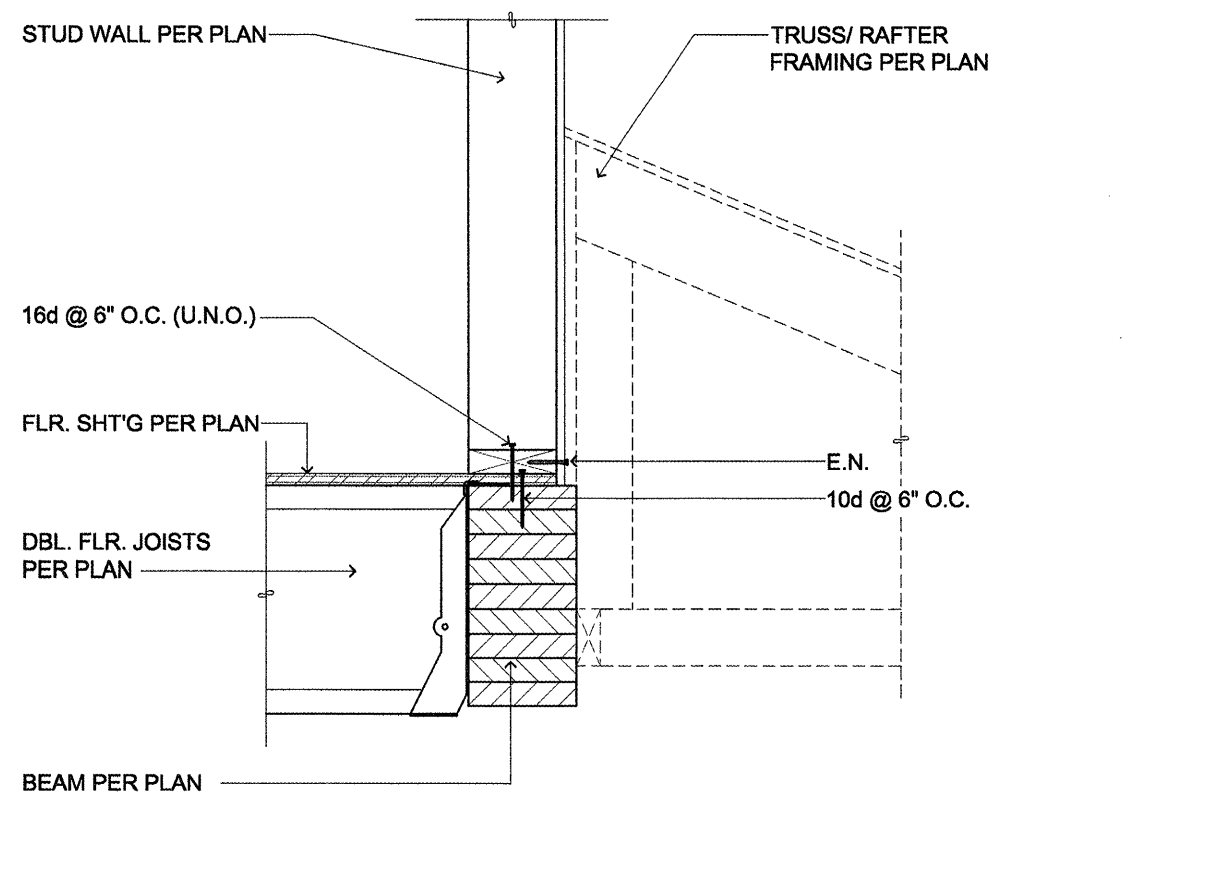
BALCONY (W/O PLANTER)



8 HEADER (ELECTRICAL PANEL)
SCALE: N.T.S. (1:24)



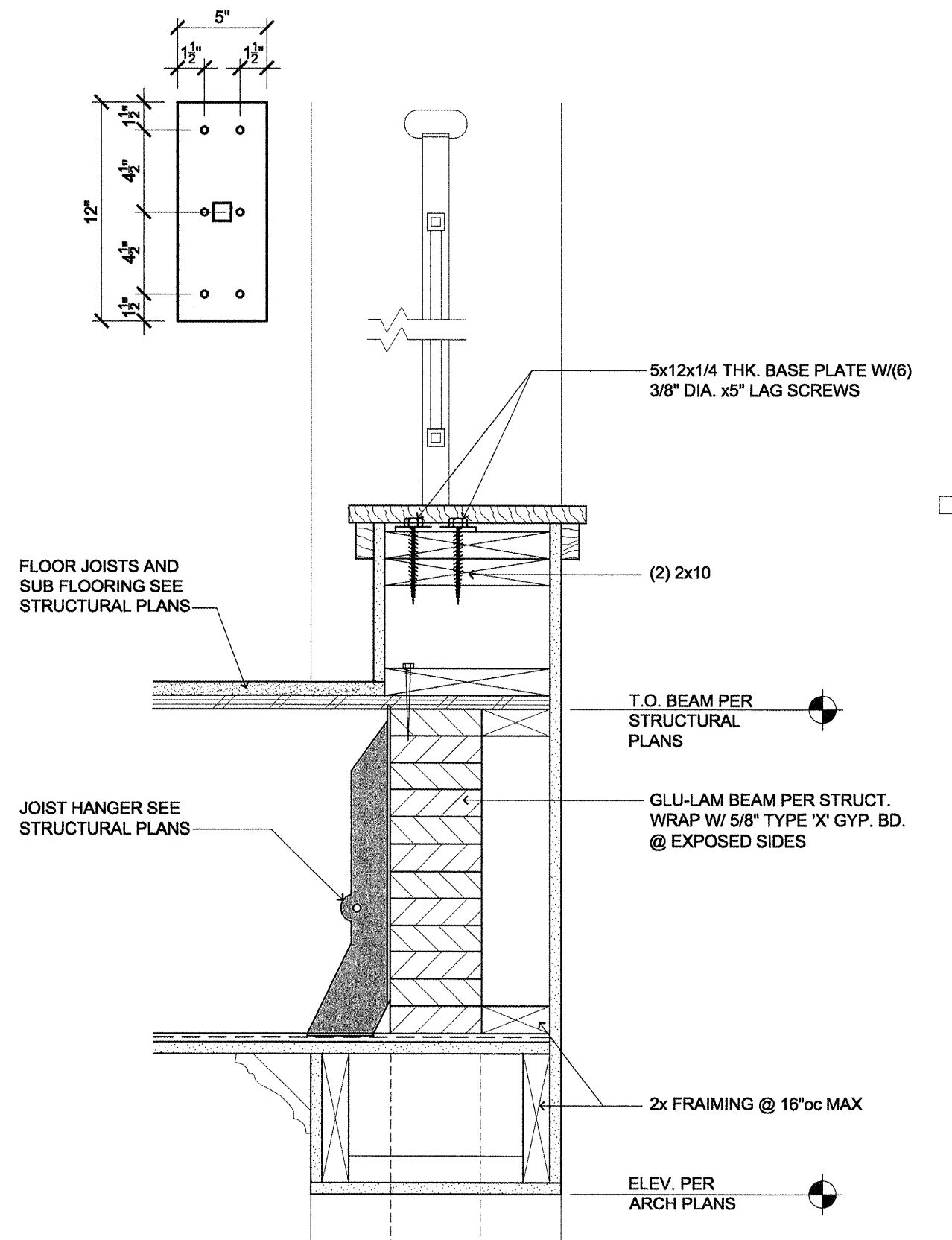
5 CONNECTION DETAIL (OVERHANGE)
SCALE: N.T.S. (1:12)



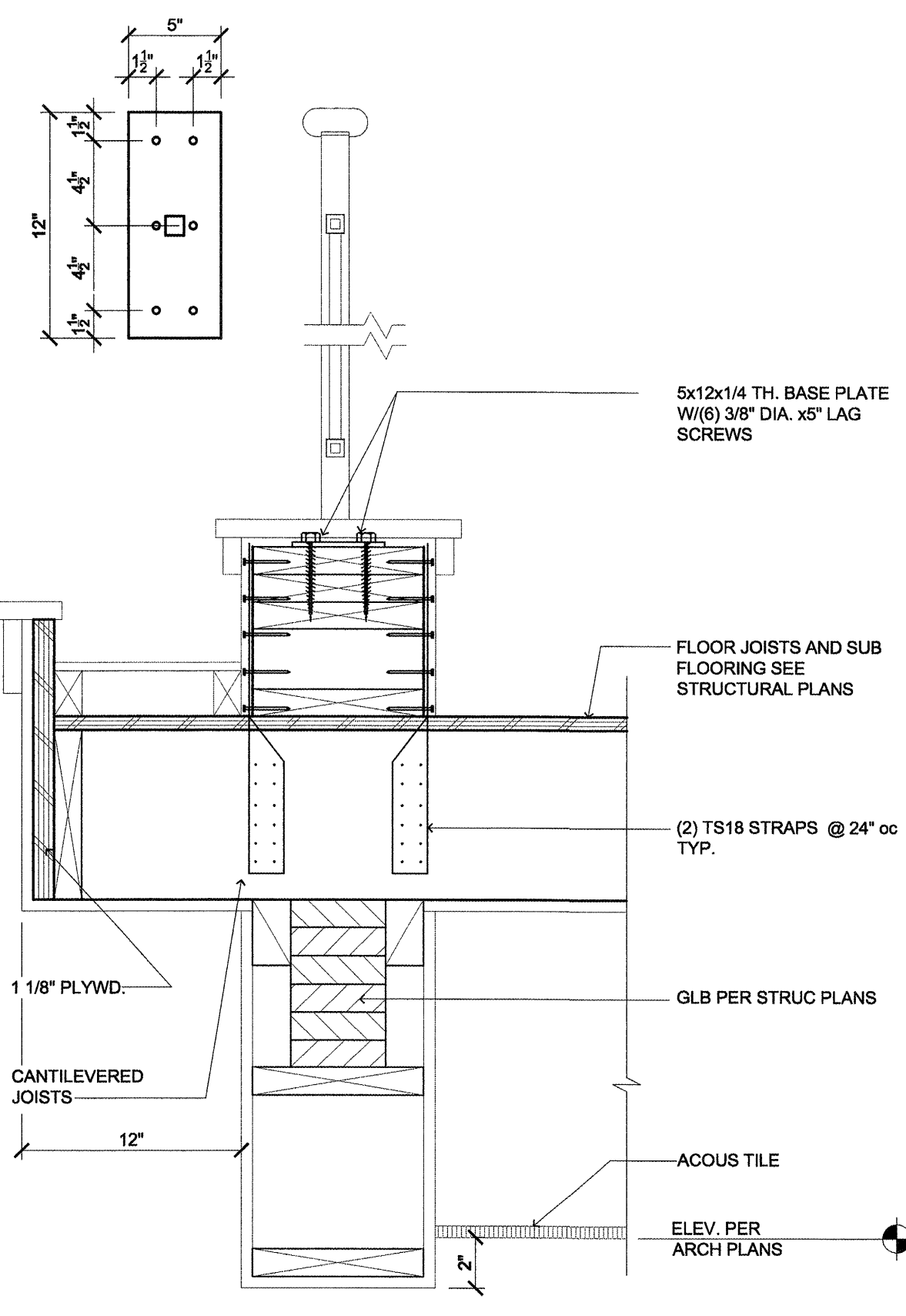
3 FRAMING IN KITCHEN
SCALE: N.T.S. (1:12)

NOT USED

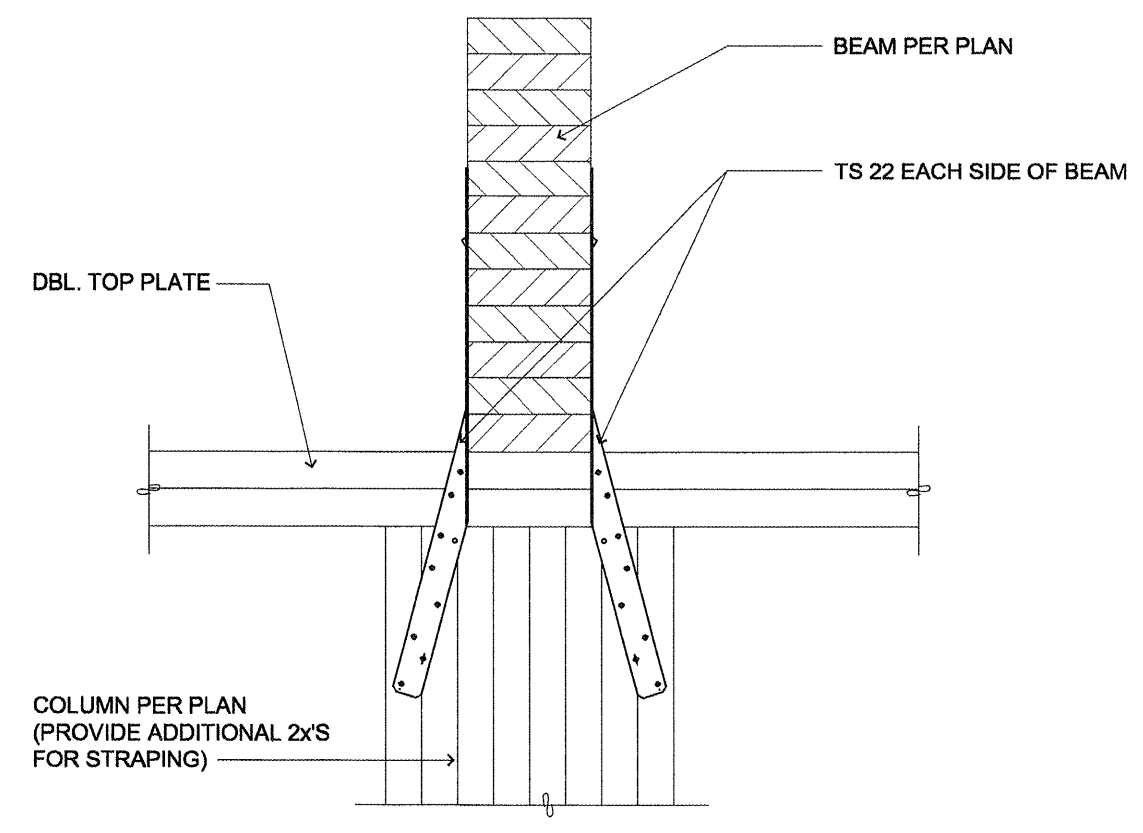
11



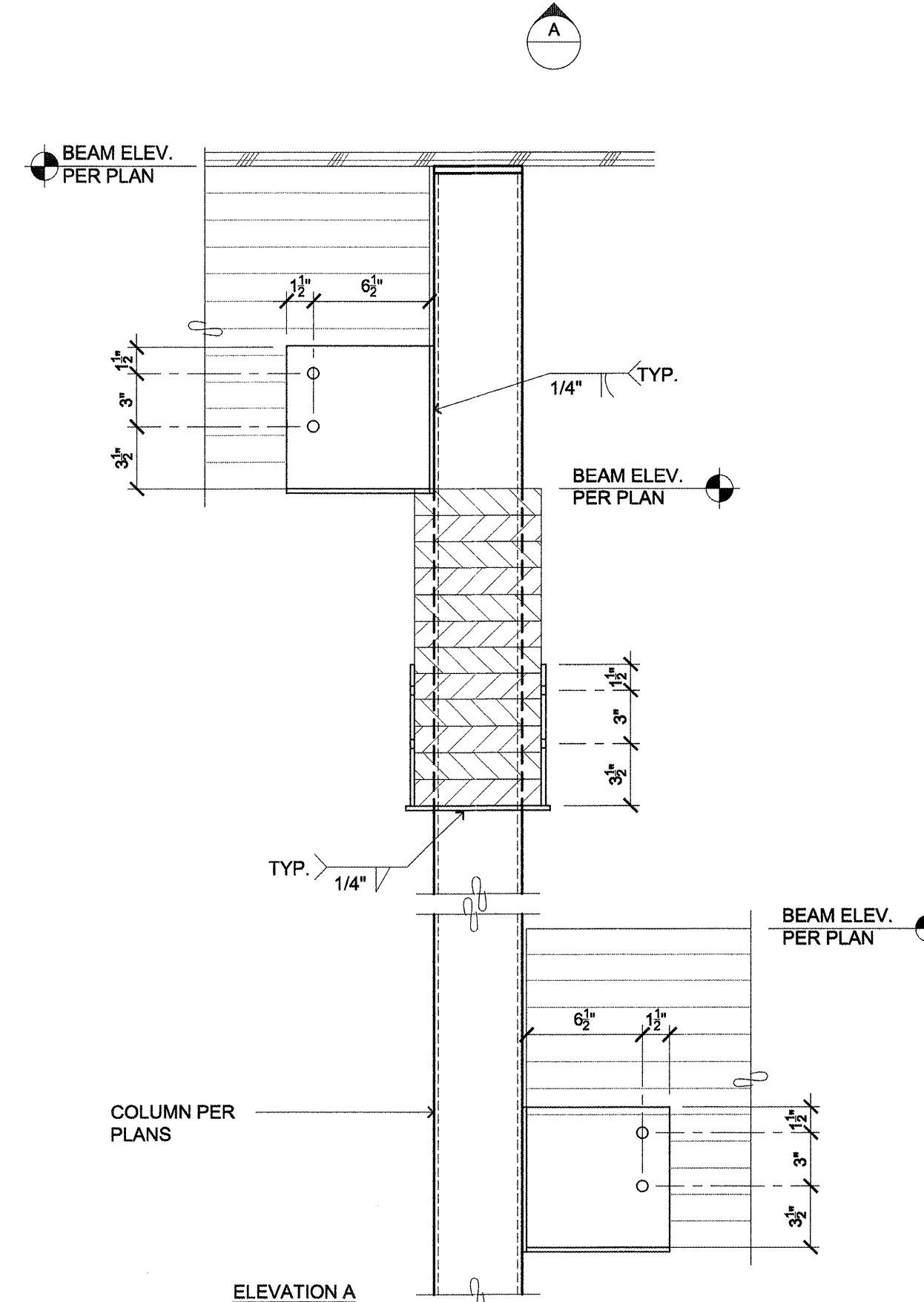
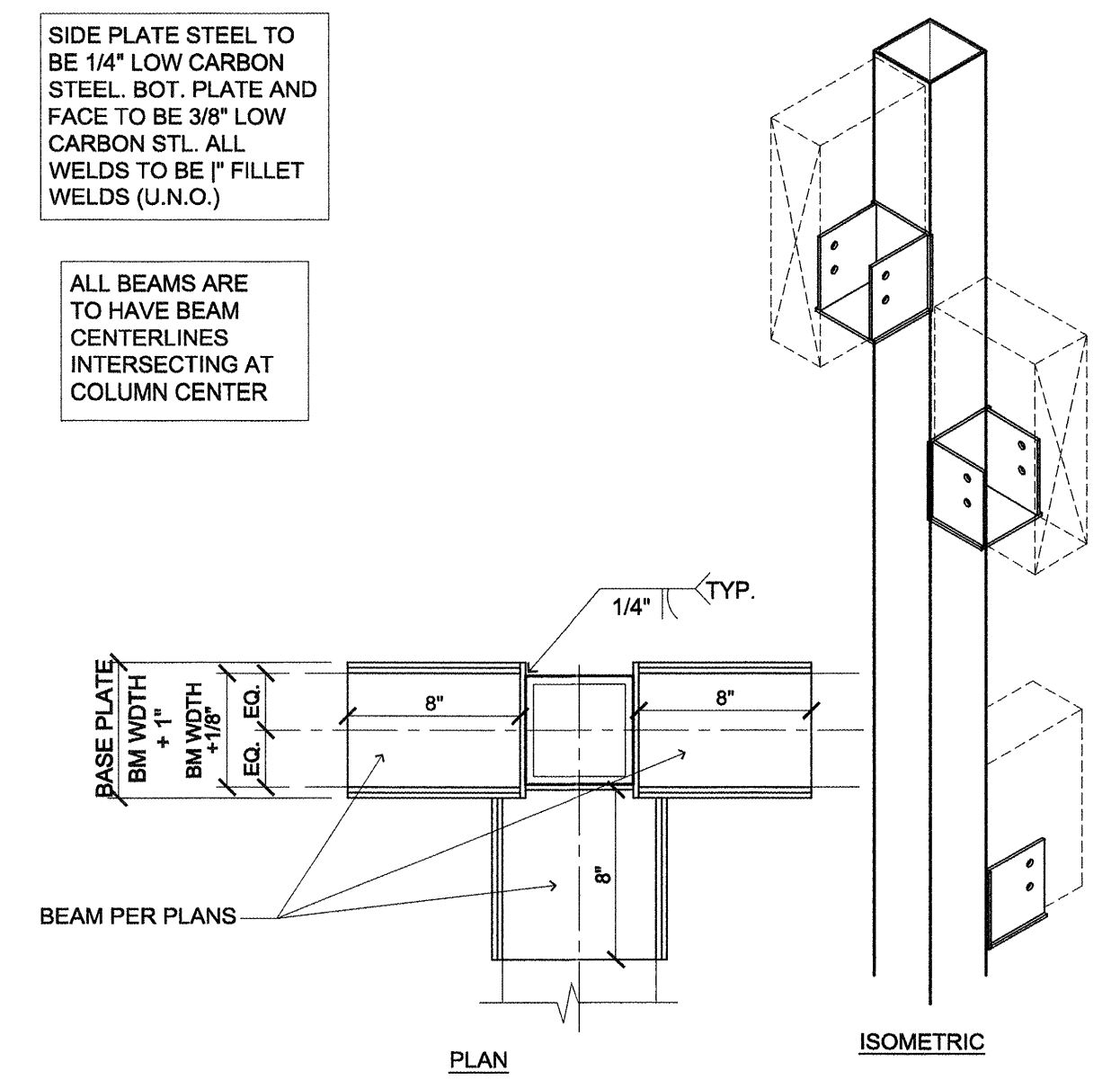
10 BALCONY
SCALE: 1 1/2" = 1'-0"



9 BALCONY (WITH PLANTER)
SCALE: 1 1/2" = 1'-0"



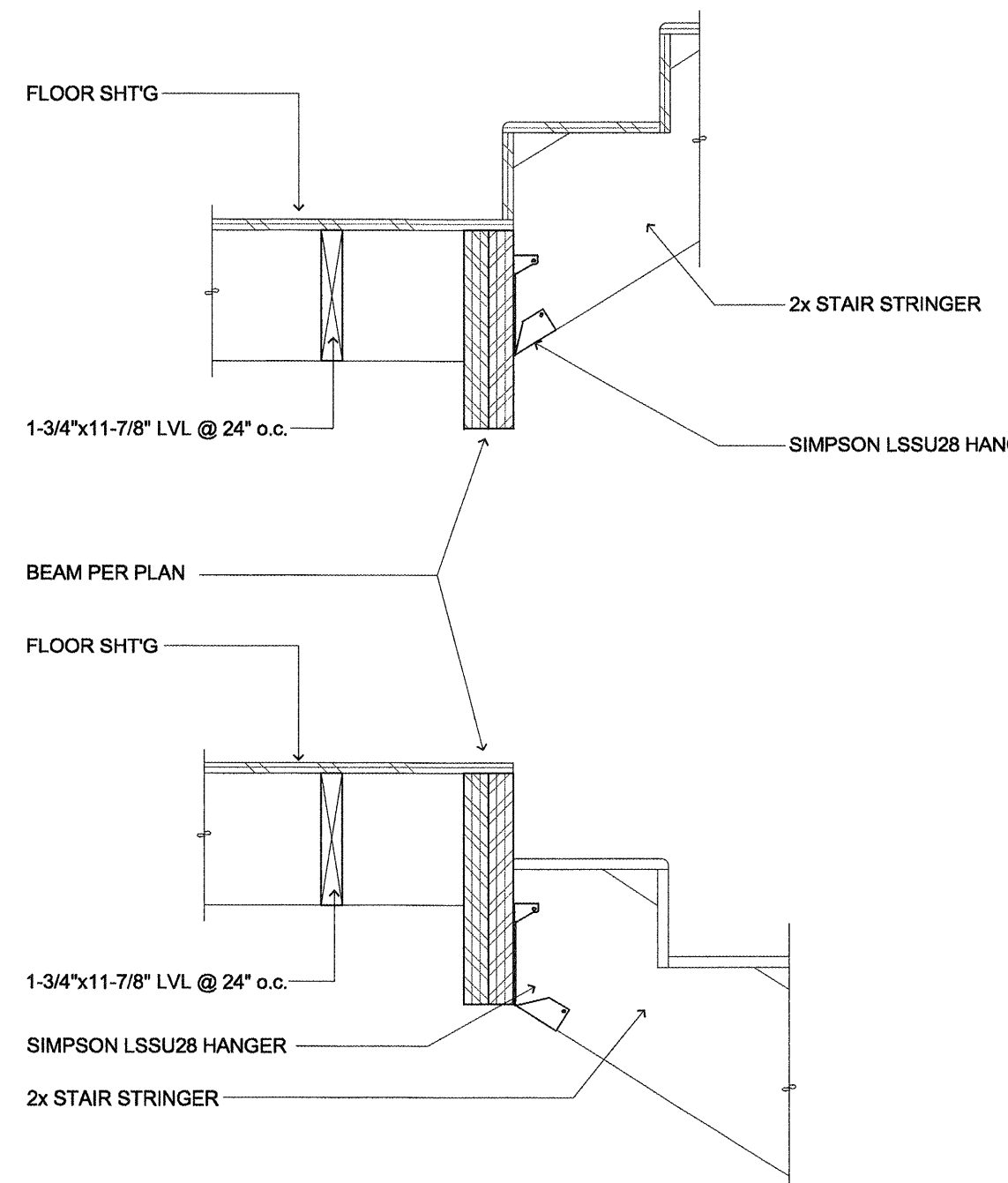
7 CONNECTION DETAIL (WOOD BEAM TO TOP PLATE)
SCALE: 1 1/2" = 1'-0"



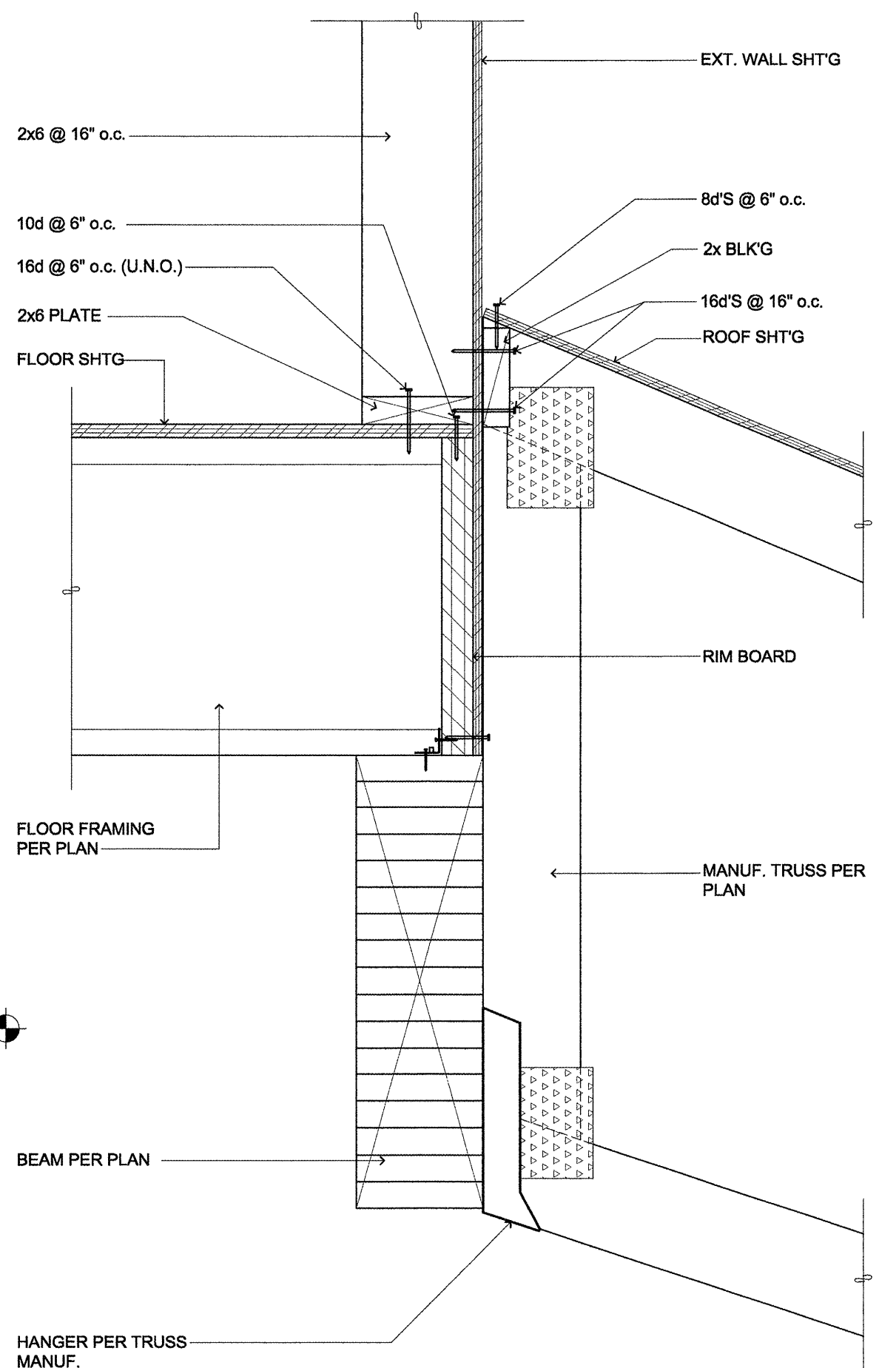
4 CONNECTION DETAIL (WD BEAMS TO STL COL)
SCALE: NOT TO SCALE (1:8)

NOT USED

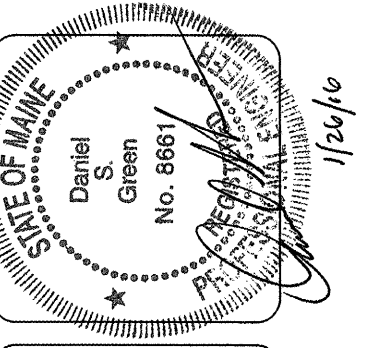
2



6 CONNECTION DETAIL (STAIR STRINGER TO BEAM)
SCALE: N.T.S. (1:12)



1 CONNECTION DETAIL (DINING ROOM CLG.)
SCALE: N.T.S. (1:8)



lenity architecture
350 Kettle Court SE, Salem, Oregon 97302
P: 503 399 0590 F: 503 399 0665 W: lenityarchitecture.com

COLSON AND COLSON GENERAL CONTRACTOR, INC.
22860 McGUIRE STREET SE, SUITE 200 SALEM, OREGON 97302
PHONE (503) 586-7401

PORTLAND RETIREMENT RESIDENCE
802 OCEAN AVE. PORTLAND, MAINE 04103

FRAMING DETAILS

DATE: 8/28/2015

REVISED DATE: 9/22/2015

SHEET: S3.0

saw: 11/14/2015 4:20 PM author: jsl:11/20/2015 11:51 AM layout: fsp:11/20/2015 10:45 AM plot: fsp:11/20/2015 10:45 AM