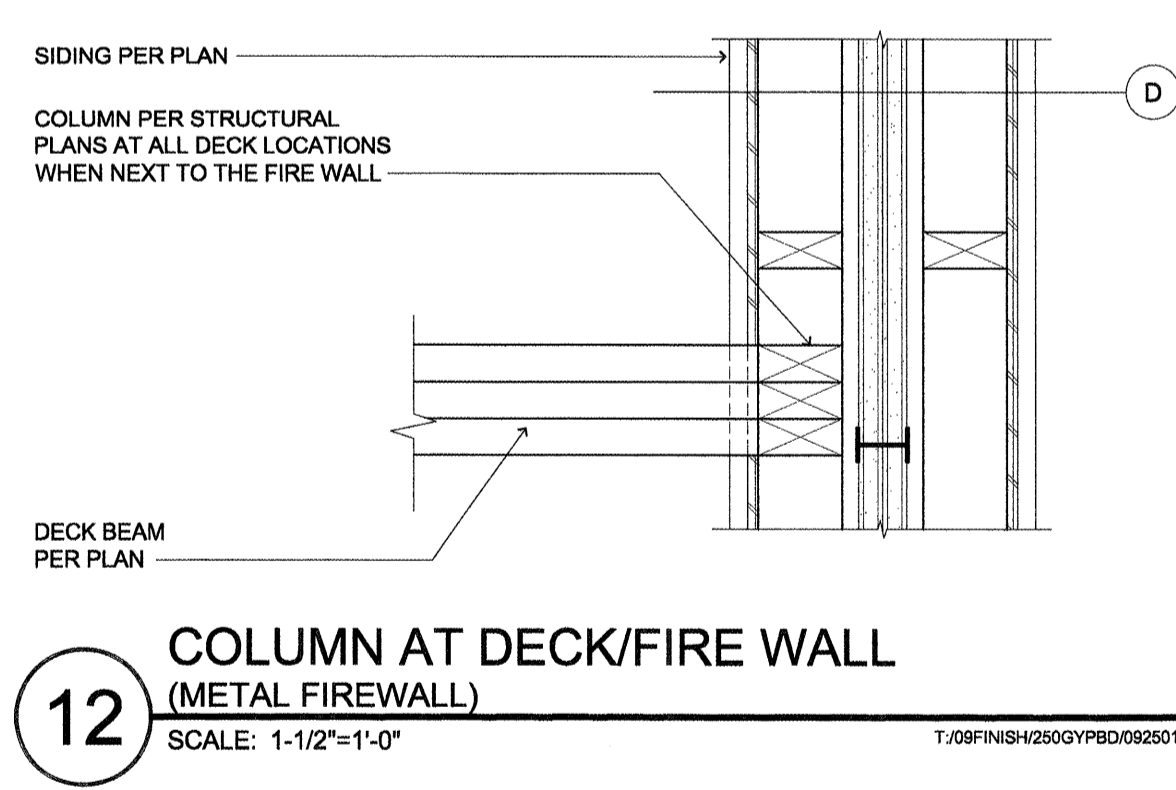
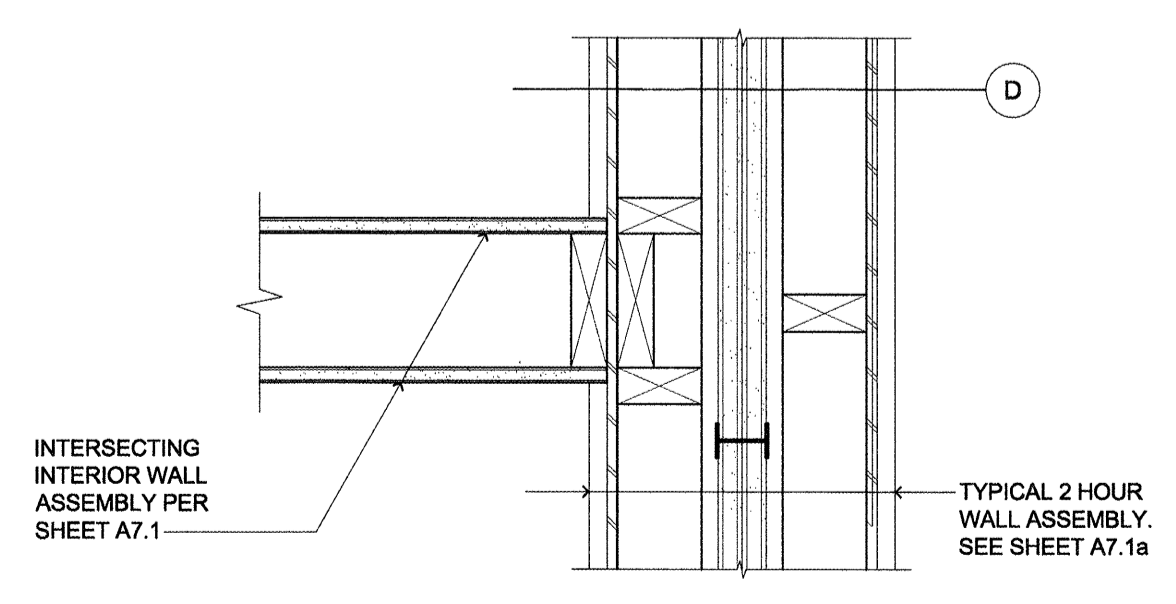


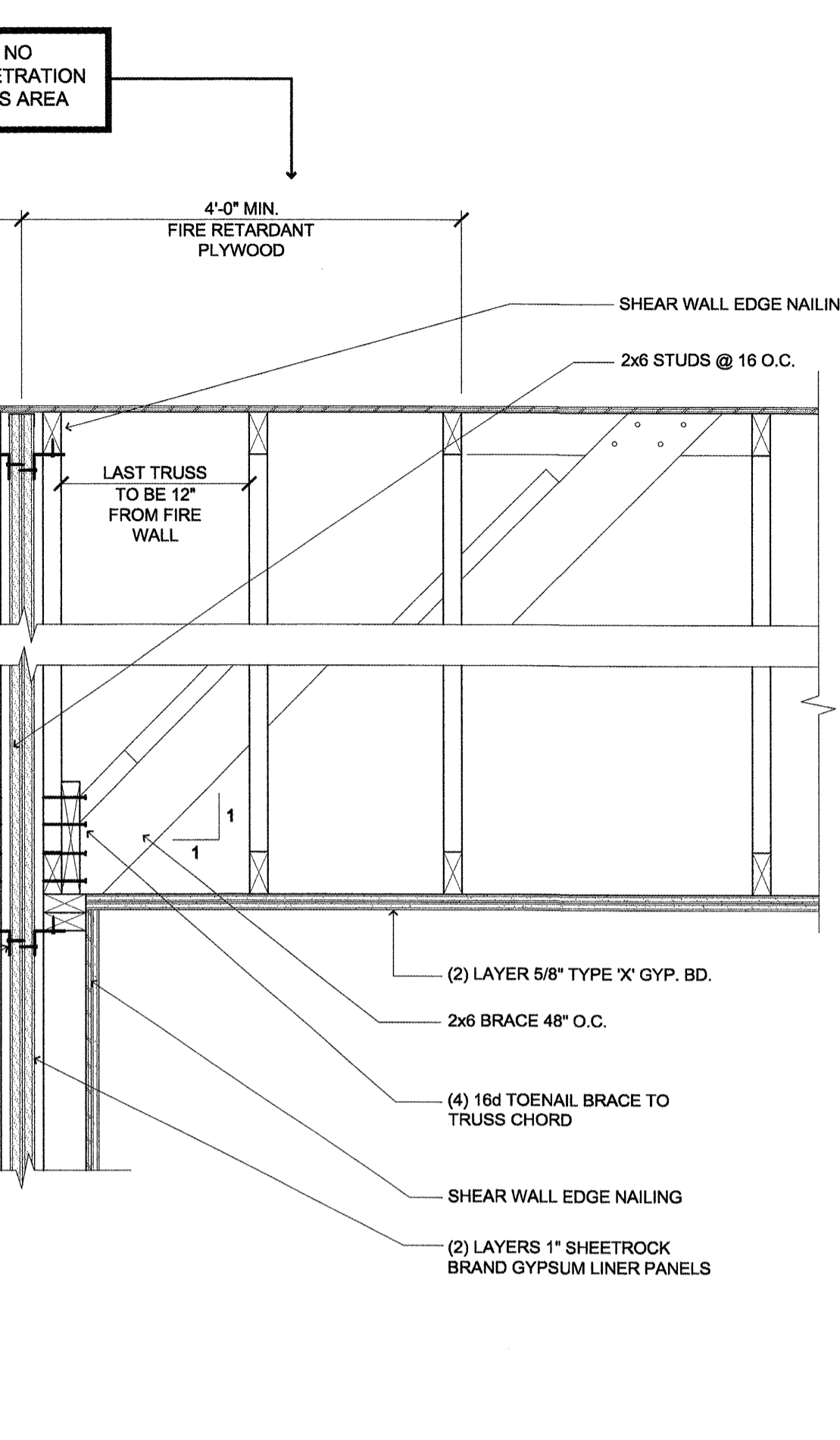
11 2 HOUR WALL/ROOF INTERSECTION
SCALE: 1" = 1'-0"
T:\06\FINSH\250GY\PD\0250174



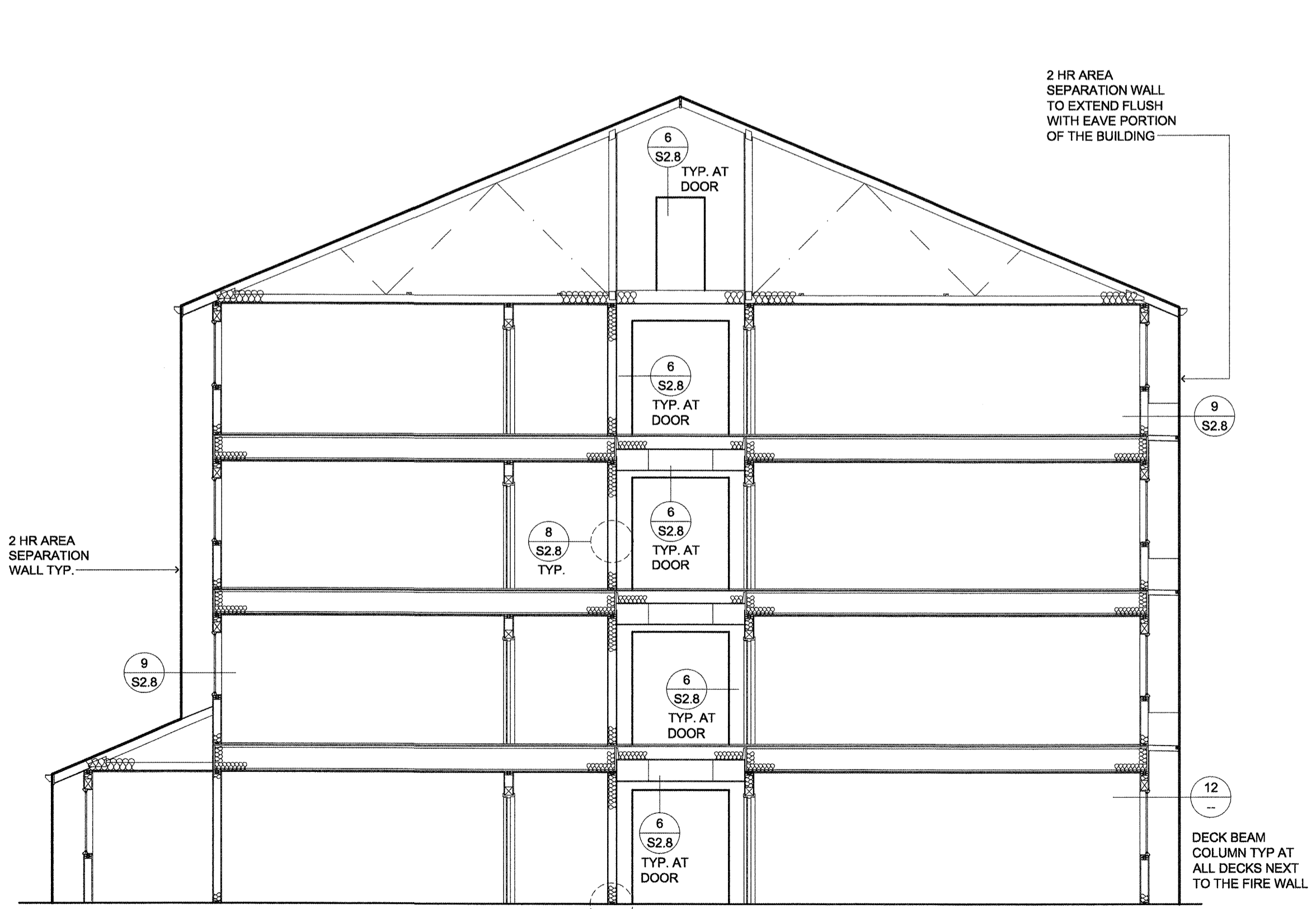
12 COLUMN AT DECK/FIRE WALL (METAL FIREWALL)
SCALE: 1-1/2"=1'-0"
T:\06\FINSH\250GY\PD\0250175



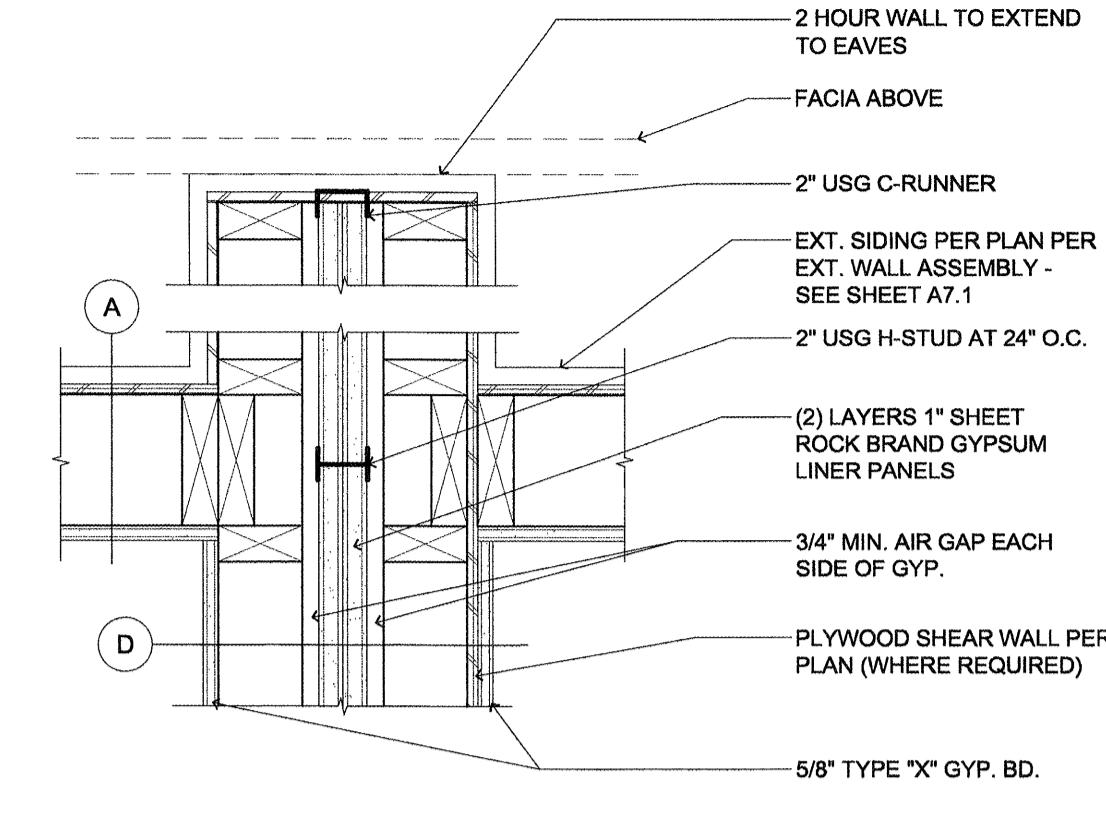
8 WALL INTERSECTION AT 2 HR WALL (INTERIOR WALL INTERSECTION)
SCALE: 1-1/2"=1'-0"
T:\06\FINSH\250GY\PD\0250176



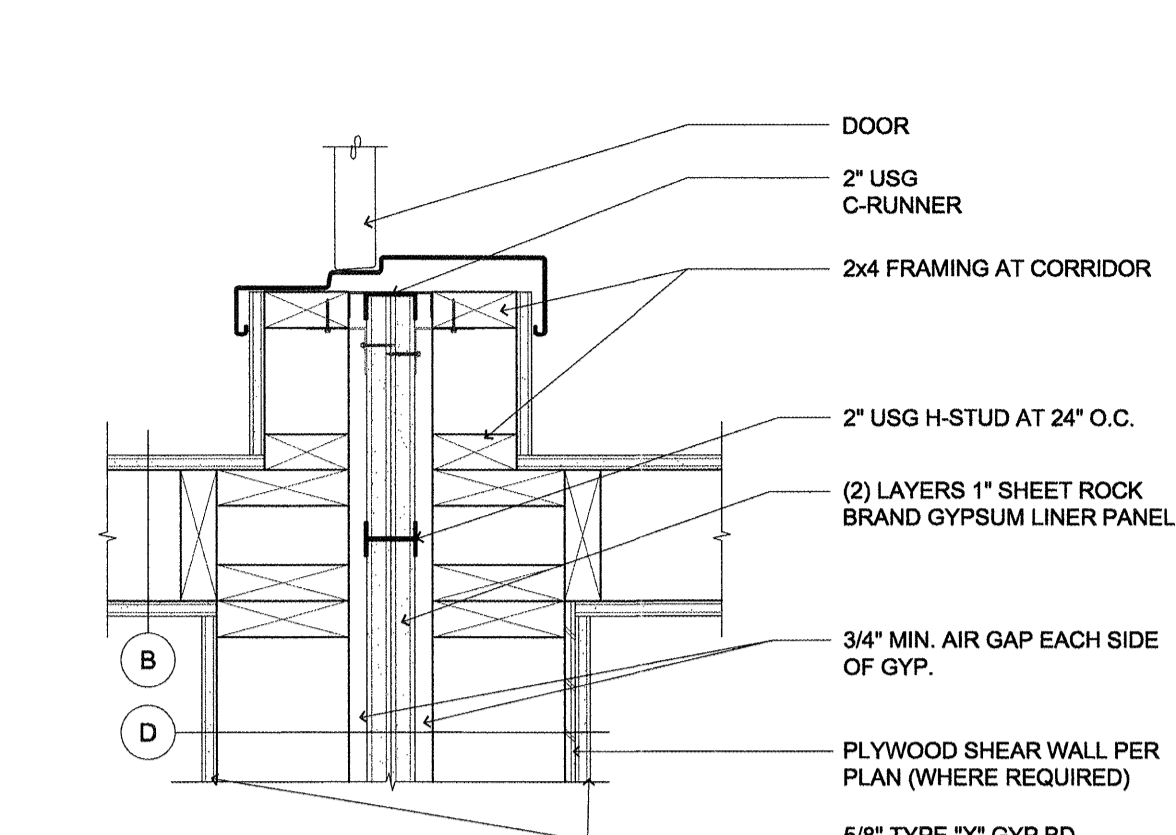
7 FIREWALL PROFILE (2 HR WALL)
SCALE: N.T.S.
T:\06\FINSH\250GY\PD\0250177



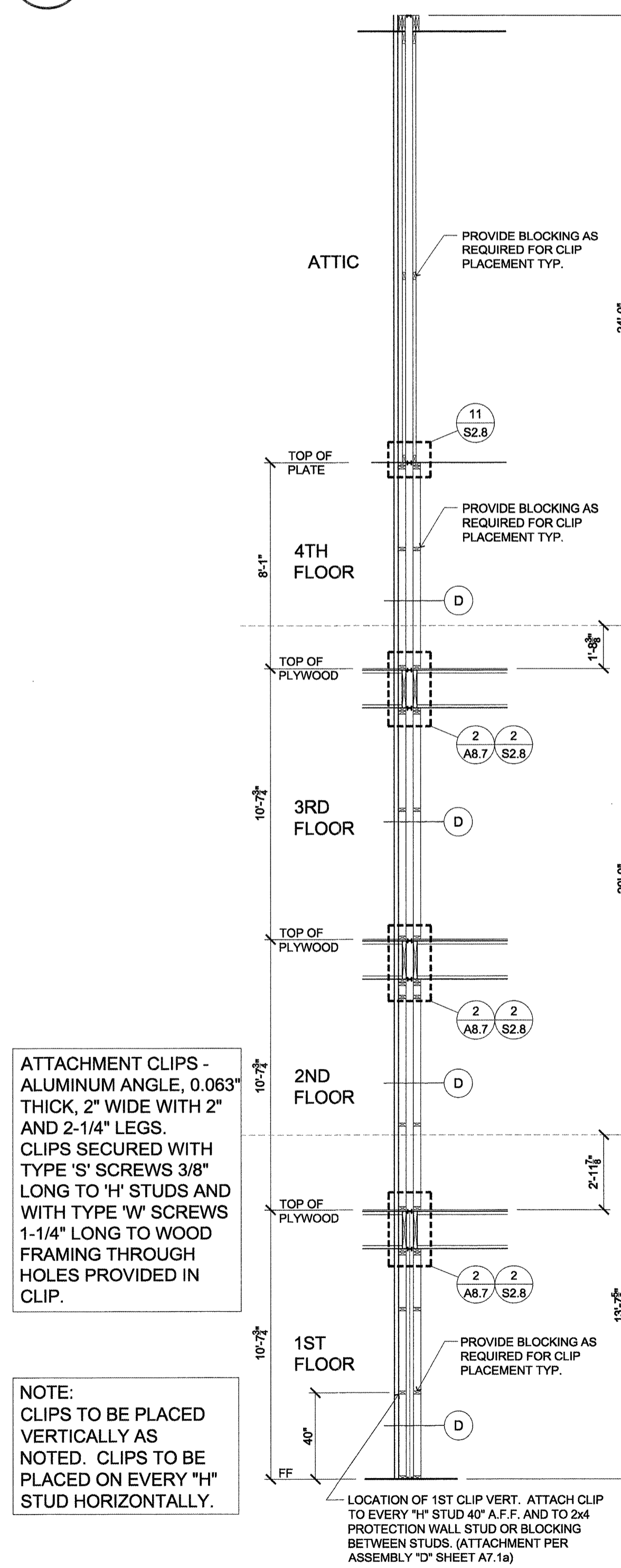
4 ALUMINUM CLIP PLACEMENT (MTL. FIRE WALL TO WOOD PROTECTION WALL)
SCALE: 1/4"=1'-0"
T:\06\FINSH\250GY\PD\0250174



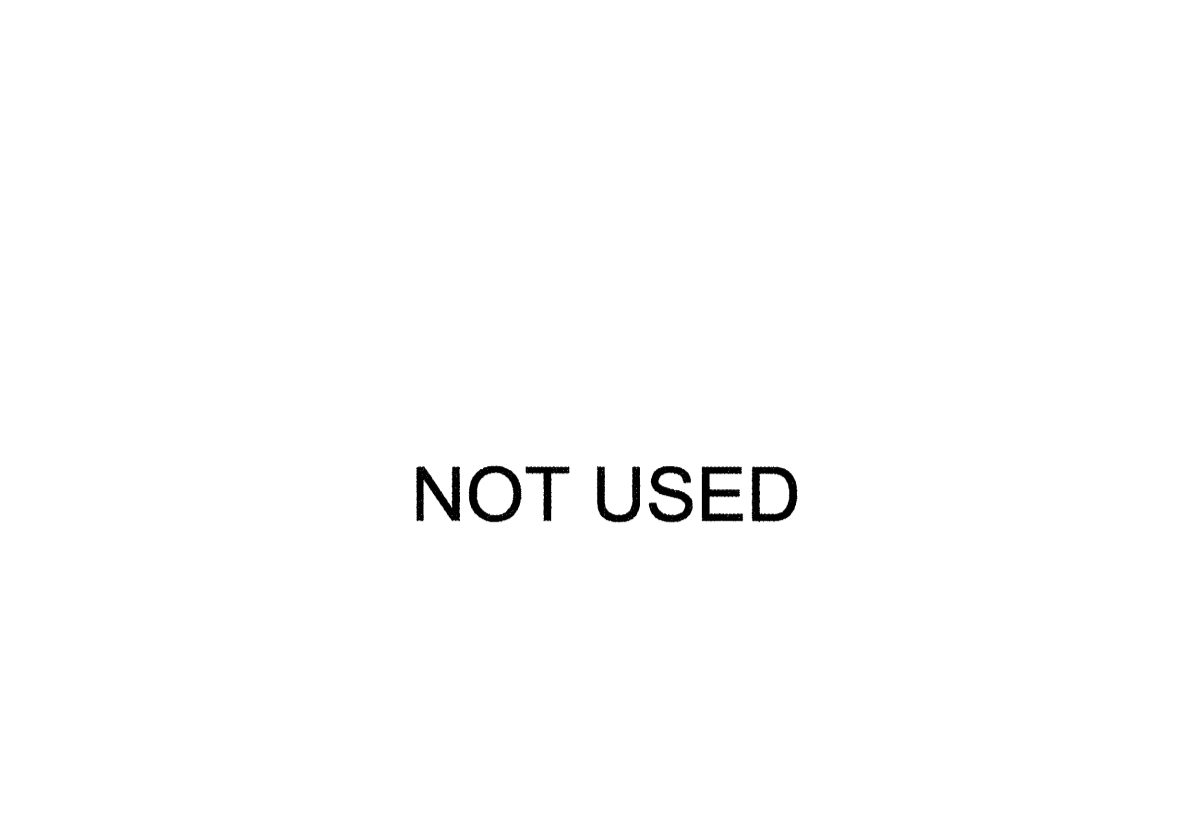
9 INT./EXT. WALL INTERSECTION (2 HR 2x6 INTERIOR/EXTERIOR WALL)
SCALE: 1-1/2"=1'-0"
T:\06\FINSH\250GY\PD\0250174



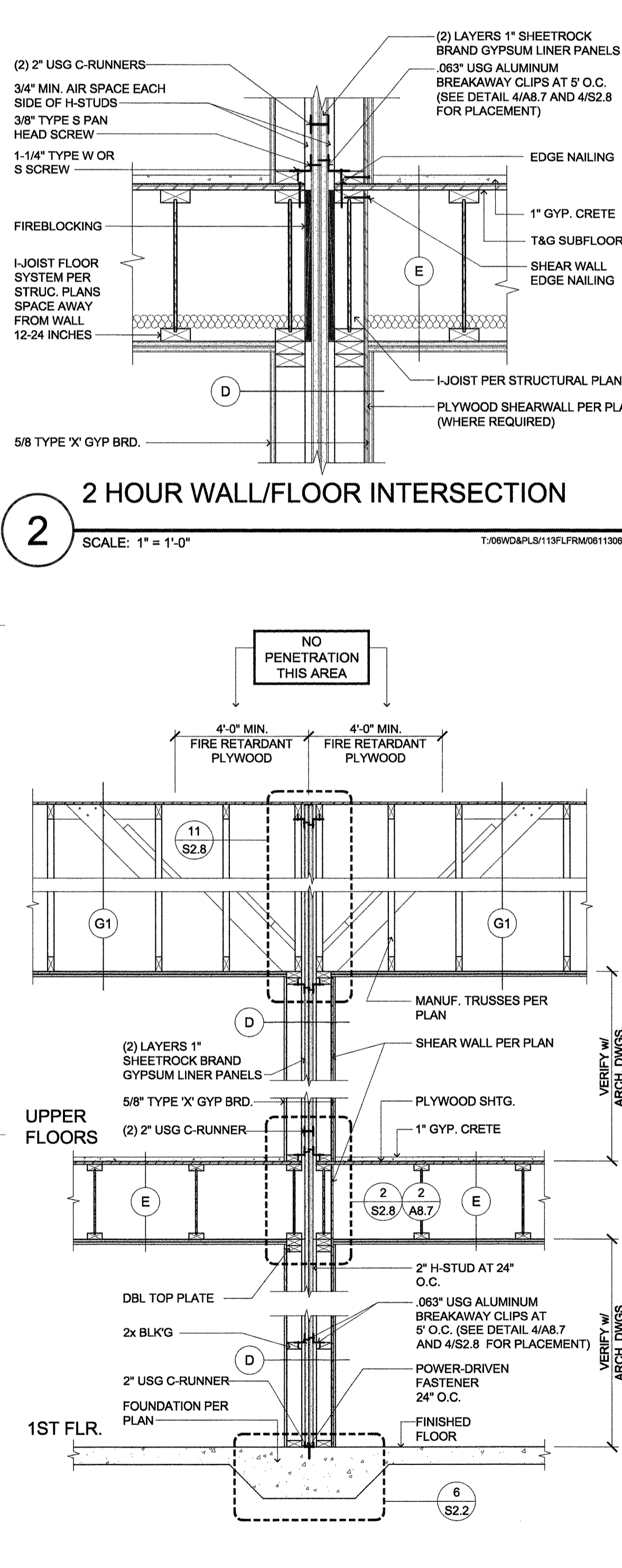
6 INT. WALL INTERSECTION (2 HR INTERIOR WALL AT DOOR)
SCALE: 1-1/2"=1'-0"
T:\06\FINSH\250GY\PD\0250206



2 2 HOUR WALL/FLOOR INTERSECTION
SCALE: 1" = 1'-0"
T:\06\WDR\PL\113\FR\M08113063



2 2 HOUR WALL/FLOOR INTERSECTION
SCALE: 1" = 1'-0"
T:\06\WDR\PL\113\FR\M08113062



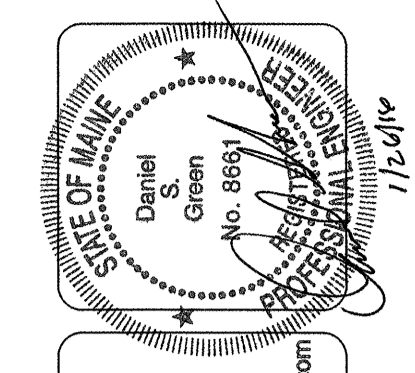
1 INT. 2 HR RATED WALL (WITH FRAMING PARALLEL)
SCALE: 1/2"=1'-0"
T:\06\FINSH\250GY\PD\0250173

NOT USED

NOT USED

ATTACHMENT CLIPS - ALUMINUM ANGLE, 0.063" THICK, 2" WIDE WITH 2" AND 2-1/4" LEGS. CLIPS SECURED WITH TYPE 'S' SCREWS 3/8" LONG TO 'H' STUDS AND WITH TYPE 'W' SCREWS 1-1/4" LONG TO WOOD FRAMING THROUGH HOLES PROVIDED IN CLIP.

NOTE: CLIPS TO BE PLACED VERTICALLY AS NOTED. CLIPS TO BE PLACED ON EVERY "H" STUD HORIZONTALLY.



lenity architecture
2150 Kettle Court, SE, Salem, Oregon 97302
P: 503 399 1030 F: 503 399 0555 W: lenityarchitecture.com

COLSON AND COLSON GENERAL CONTRACTOR, INC.
2280 MCGILCHRIST STREET SE, SUITE 200 SALEM, OREGON 97302
PHONE (503) 566-7401

PORTLAND RETIREMENT RESIDENCE
802 OCEAN AVE. PORTLAND, MAINE 04103

STRUCTURAL 2 HOURS DETAILS

DATE: 8/28/2015
REVISED DATE: 9/22/2015

SHEET S2.8