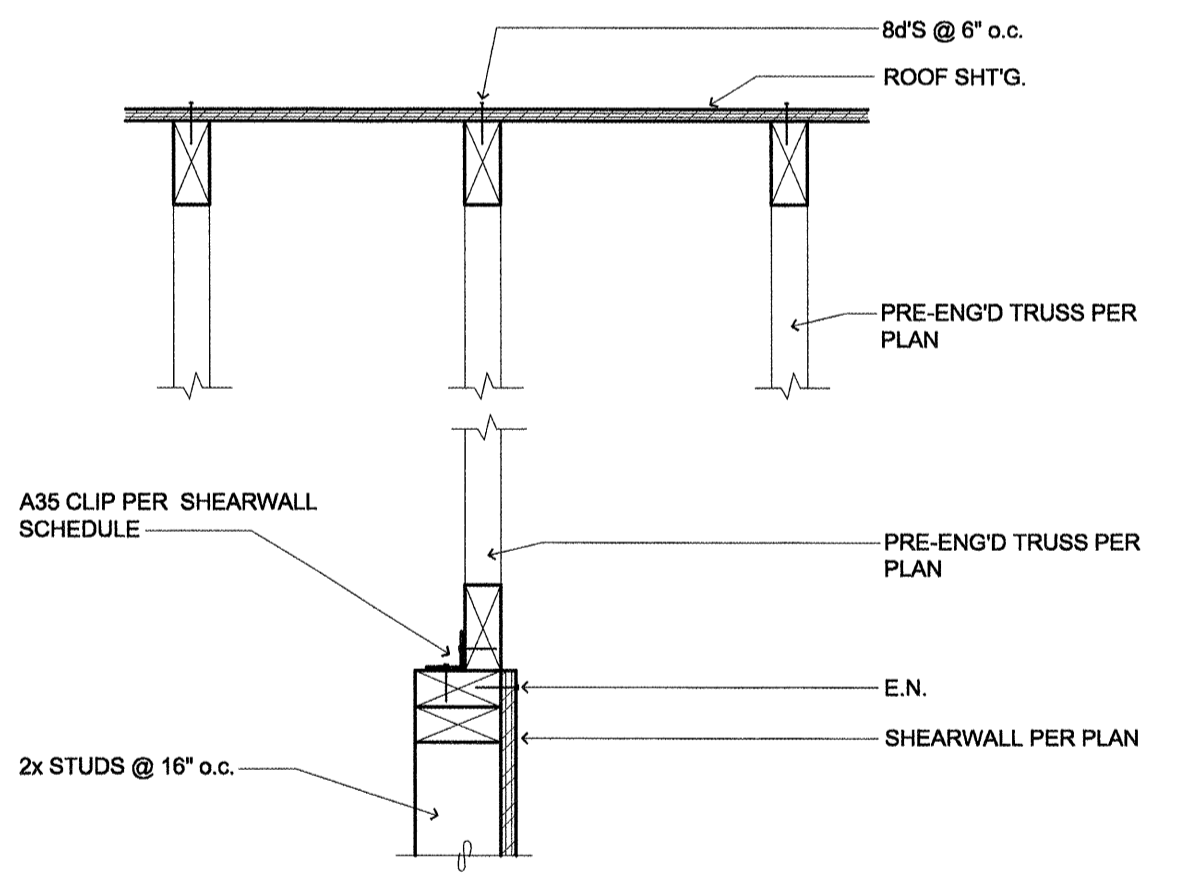
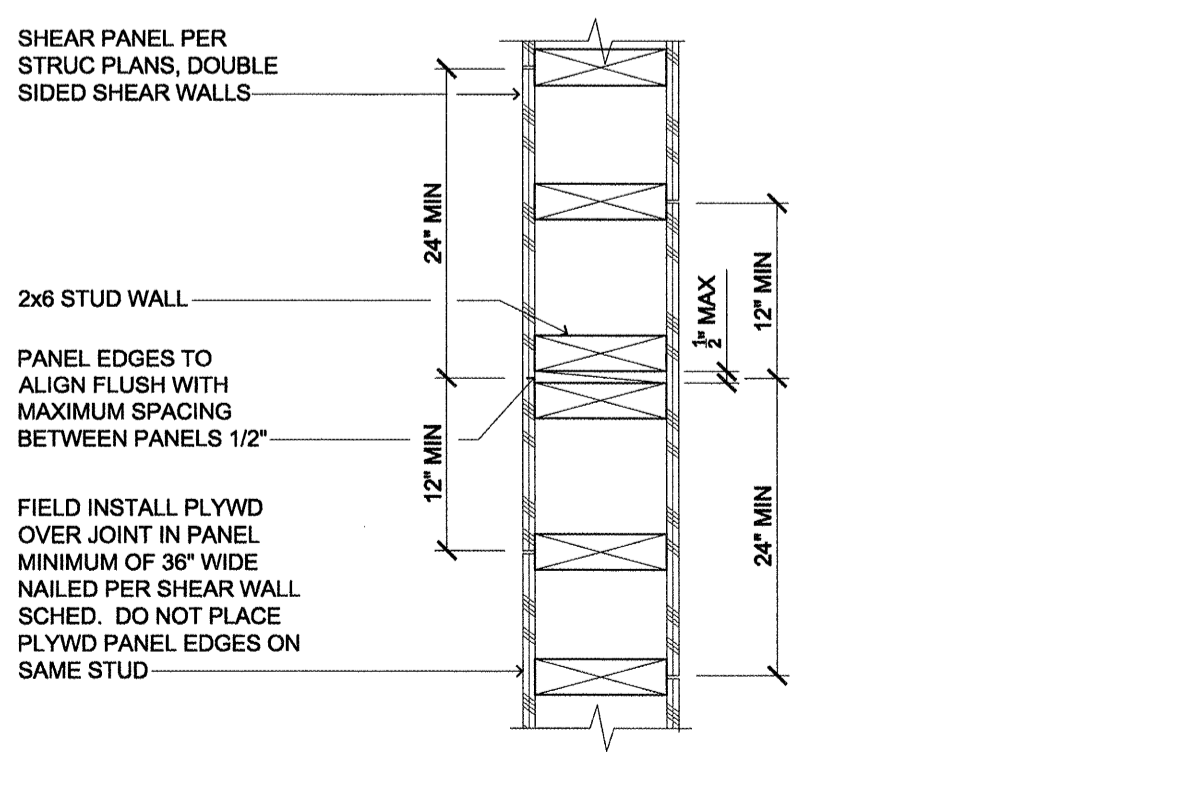


| UPLIFT PER ROOF TRUSS SHOP DRAWINGS LBS. | CS16 @ ROOF | CS16 @ FLOOR |
|--|-------------|--------------|
| 1650-3300 | YES(2) | YES(2) |
| 1200-1650 | YES | YES |
| 500-1200 | YES | NO |

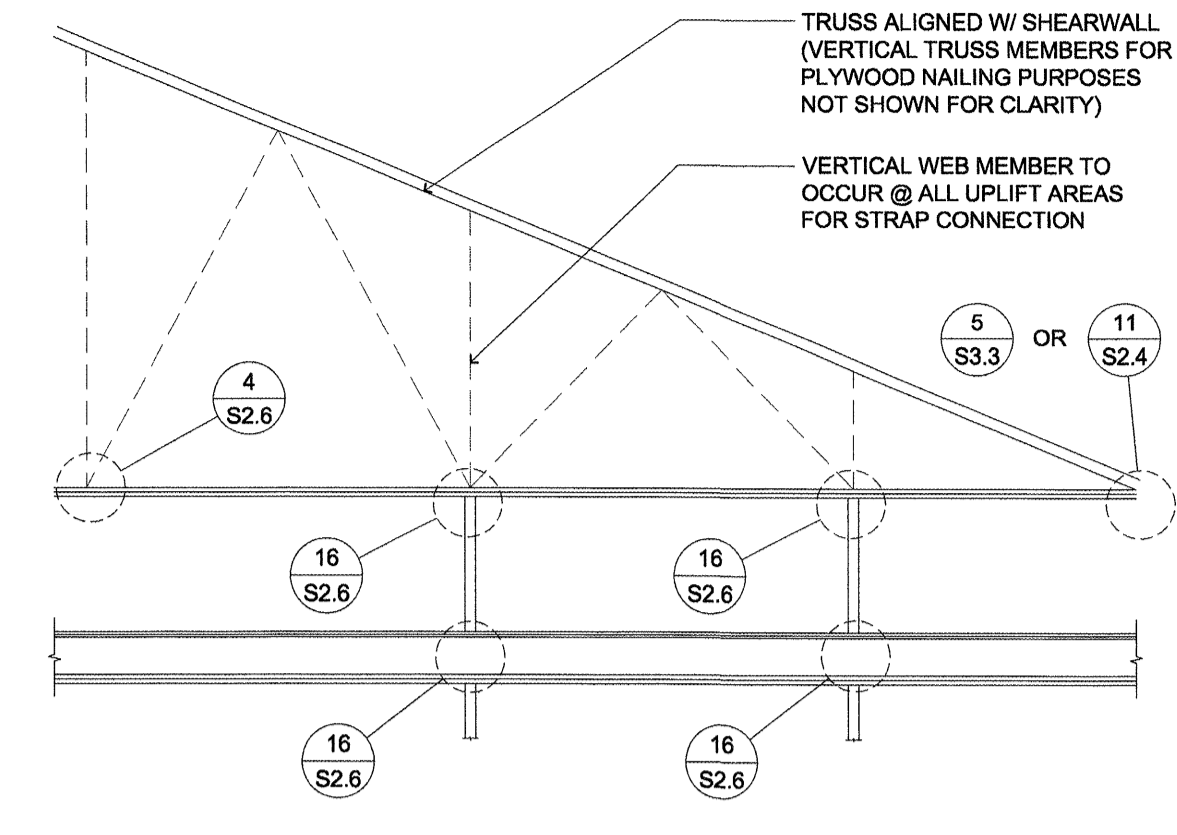
16 UPLIFT STRAP AT MIDWAY OF TRUSS (FRAMING DETAIL)
SCALE: 1/2" = 1'-0"
T:\06\WDP\PLS1158\THG0611503



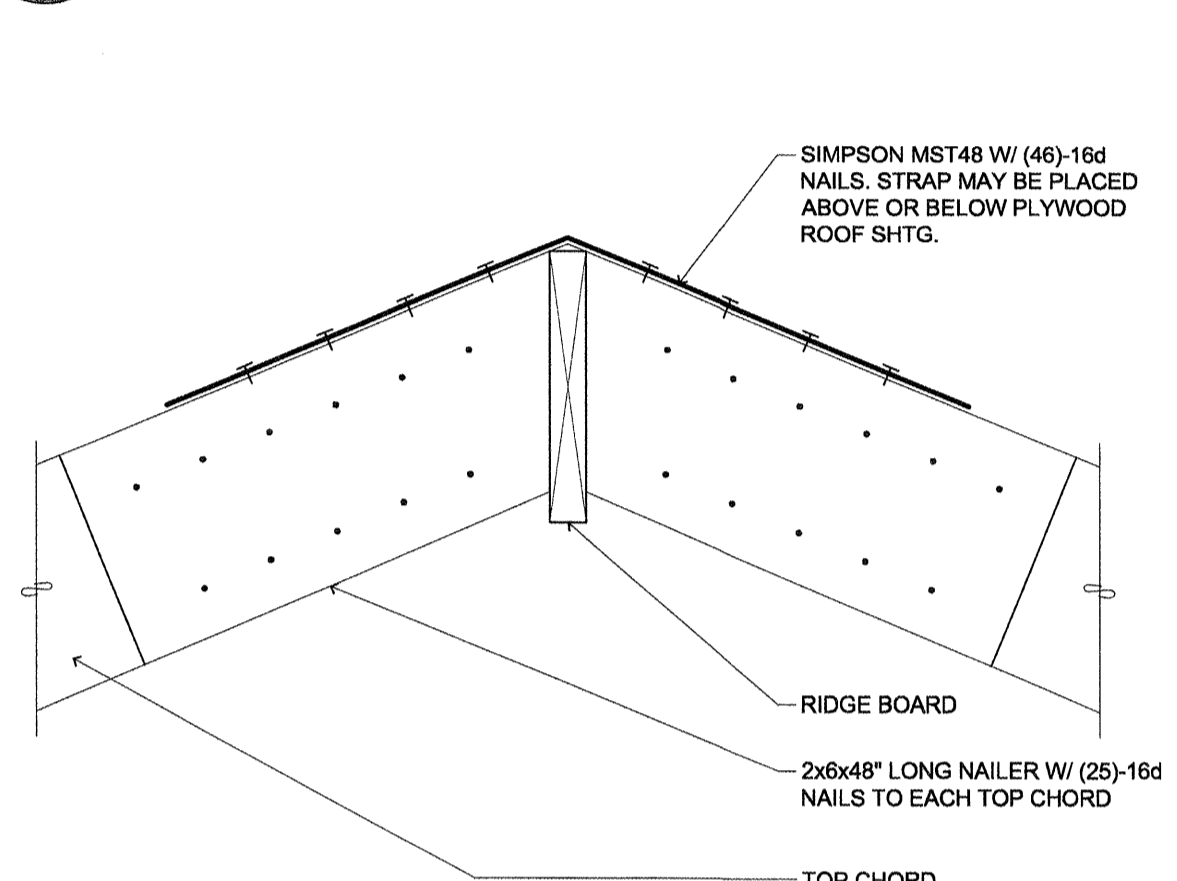
15 SHEAR TRANSFER DETAIL (ROOF DIAPHRAGM TO SHEARWALL)
SCALE: N.T.S.
T:\06\WDP\PLS1158\THG0611502



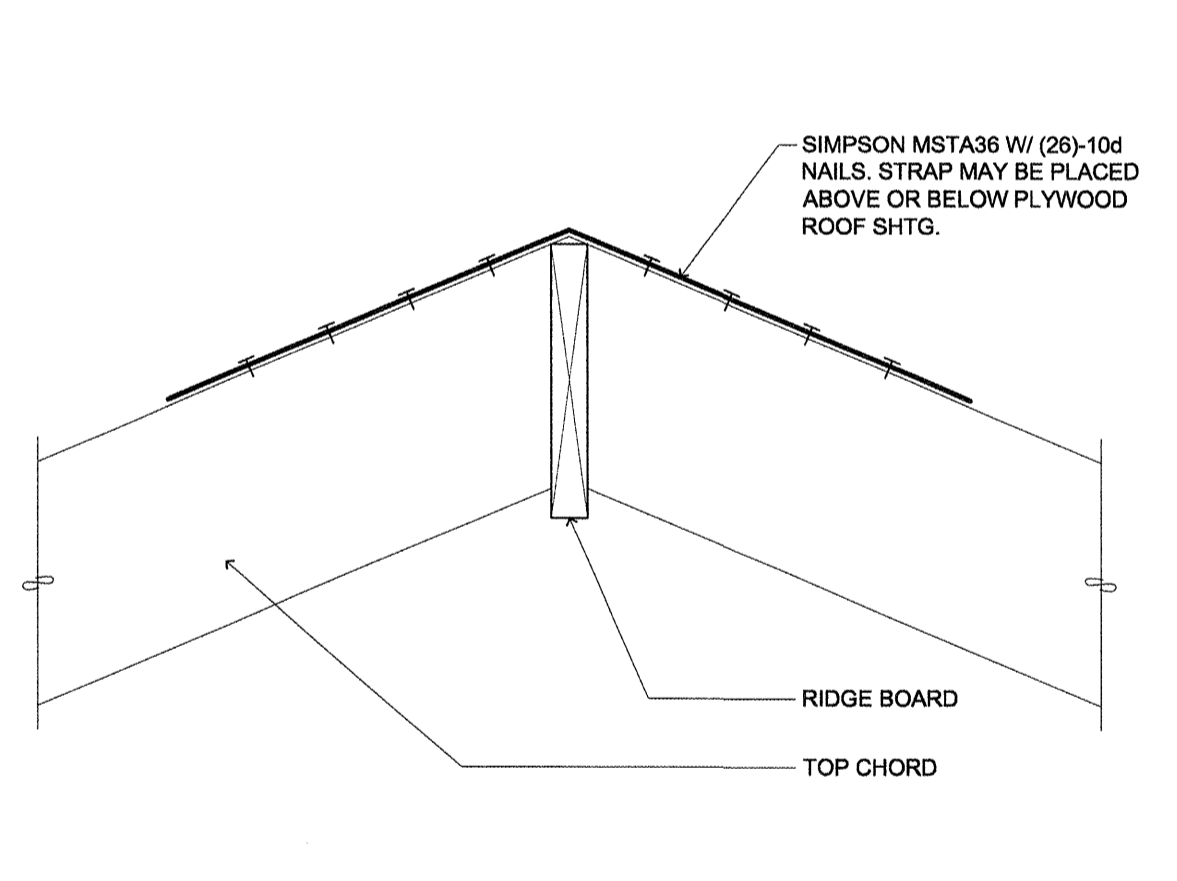
14 PANEL CONNECTION (PREFABRICATED PANELS)
SCALE: 1 1/2" = 1'-0"
T:\06\WDP\PLS120\WDP\0612002



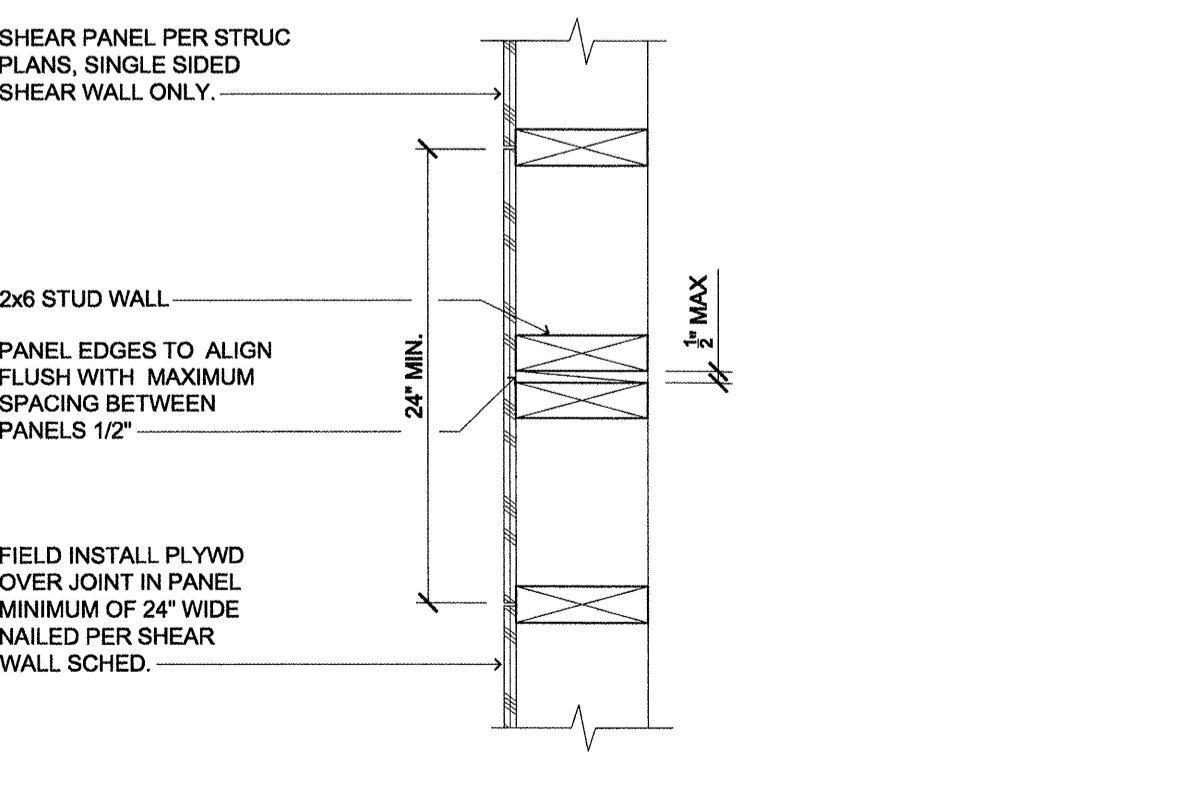
13 DRAG TRUSS AT SHEARWALLS
SCALE: 3/16" = 1'-0"
T:\06\WDP\PLS1158\THG0611501



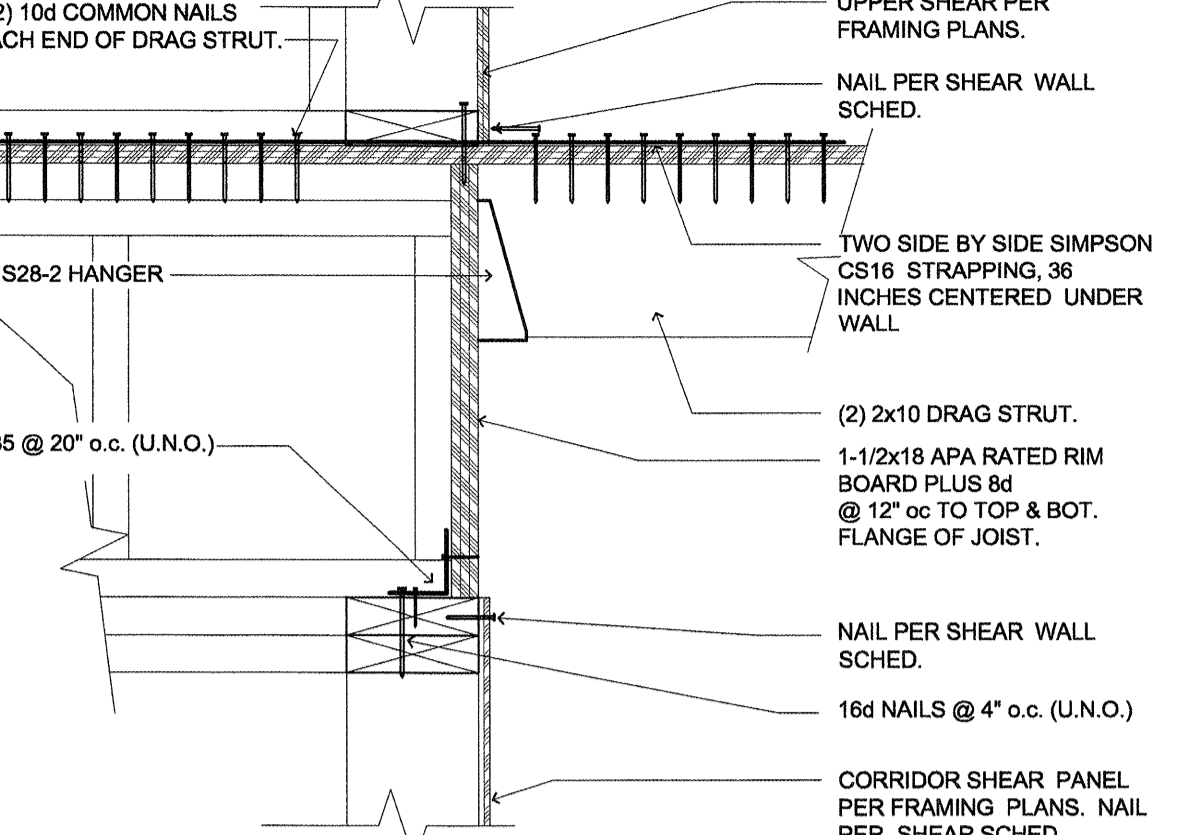
12 DRAG STRUT
SCALE: N.T.S. (1:8)
T:\06\WDP\PLS1118\RF0611108



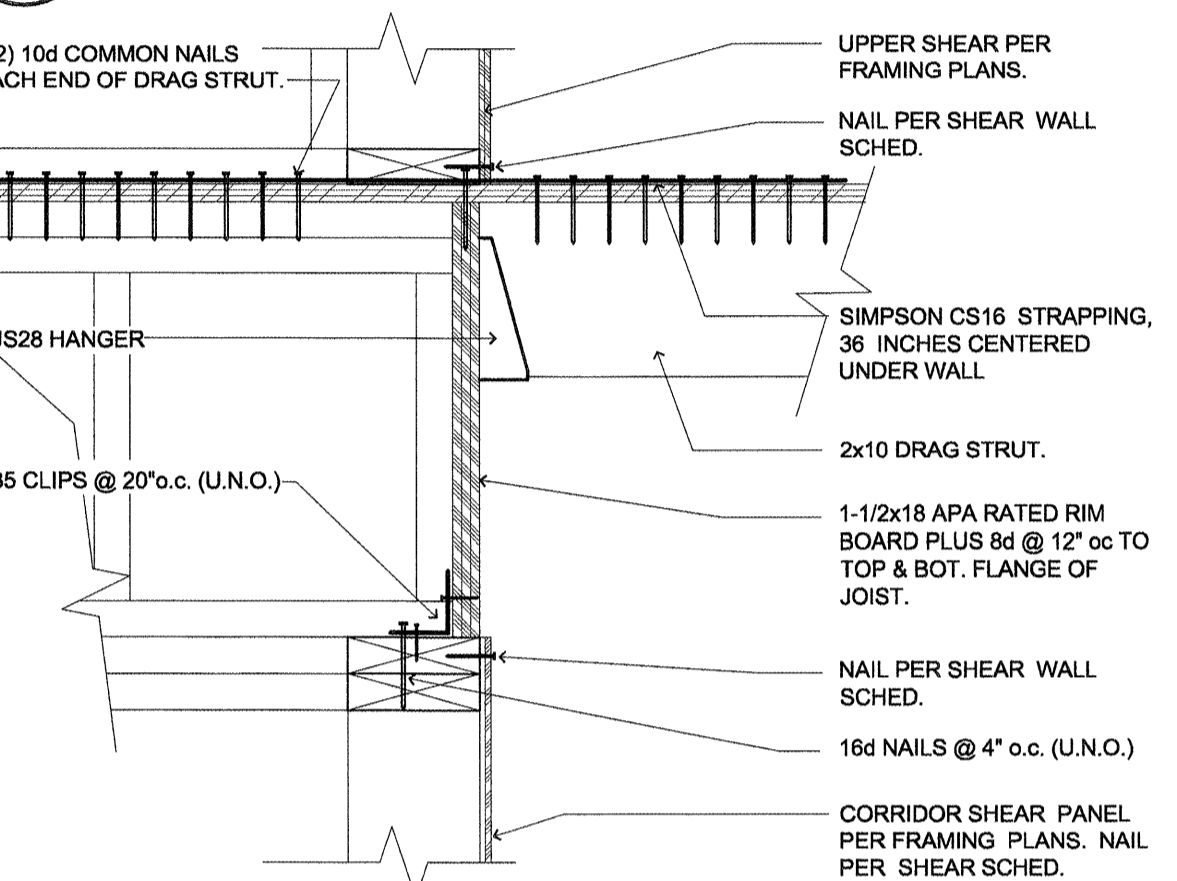
11 DRAG STRUT
SCALE: N.T.S. (1:8)
T:\06\WDP\PLS1118\RF0611107



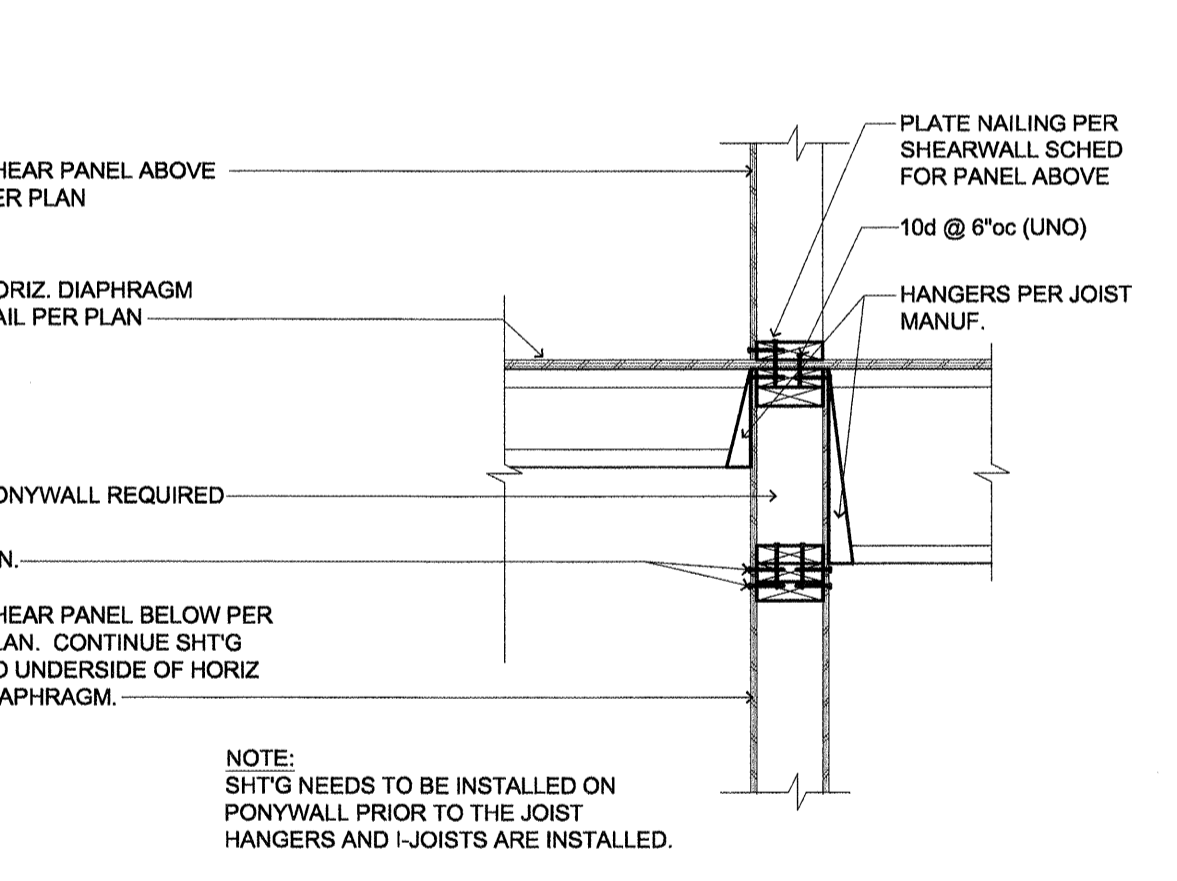
10 PANEL CONNECTION (PREFABRICATED PANELS)
SCALE: 1 1/2" = 1'-0"
T:\06\WDP\PLS120\WDP\0612001



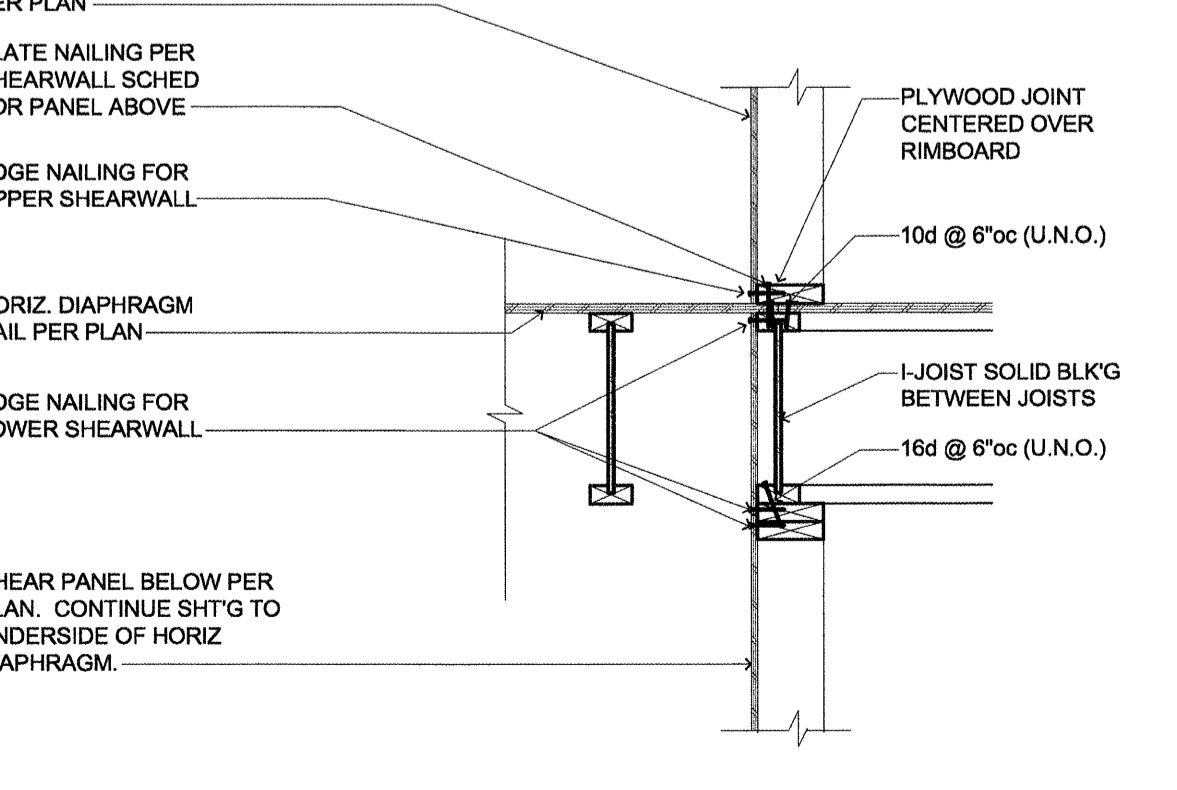
9 DRAG STRUT (FLOOR CORRIDOR CONNECTION-DOUBLE STRAP)
SCALE: 1 1/2" = 1'-0"
T:\06\WDP\PLS090\CONV\0900079



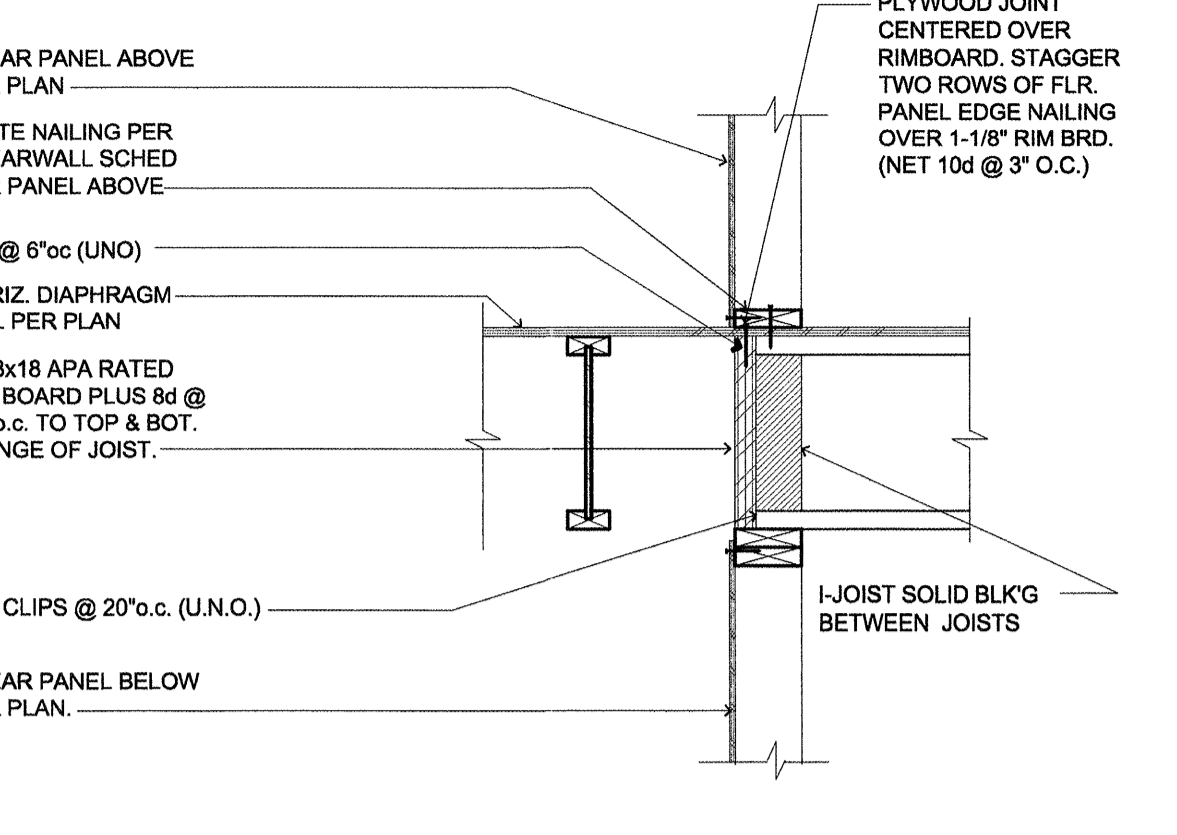
8 DRAG STRUT (FLOOR CORRIDOR CONNECTION-SINGLE STRAP)
SCALE: 1 1/2" = 1'-0"
T:\06\WDP\PLS090\CONV\0900077



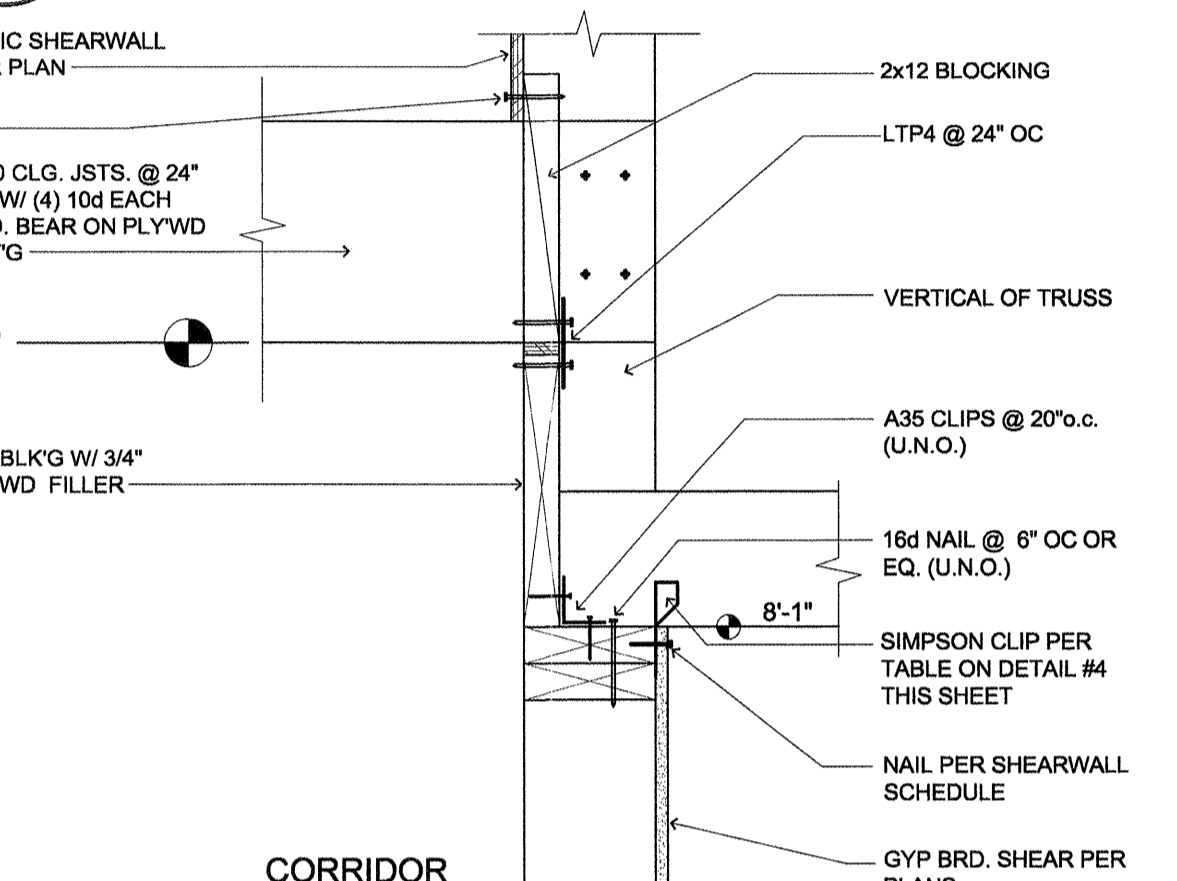
7 SHEAR TRANSFER (JOIST BEARING ON PARTYWALL)
SCALE: N.T.S. (1:16)
T:\06\WDP\PLS1158\THG0611507



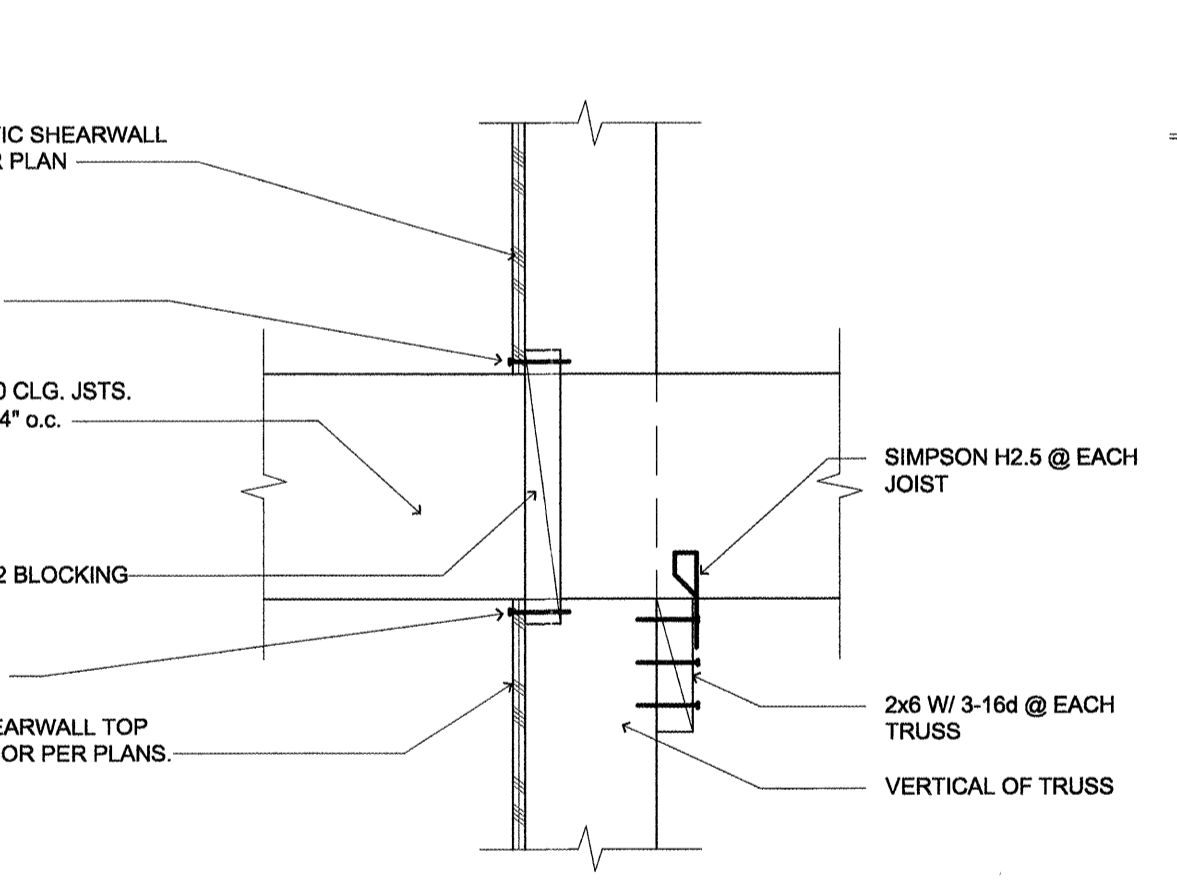
6 SHEAR TRANSFER (JOIST BEARING ON PARTYWALL)
SCALE: N.T.S. (1:16)
T:\06\WDP\PLS1158\THG0611506



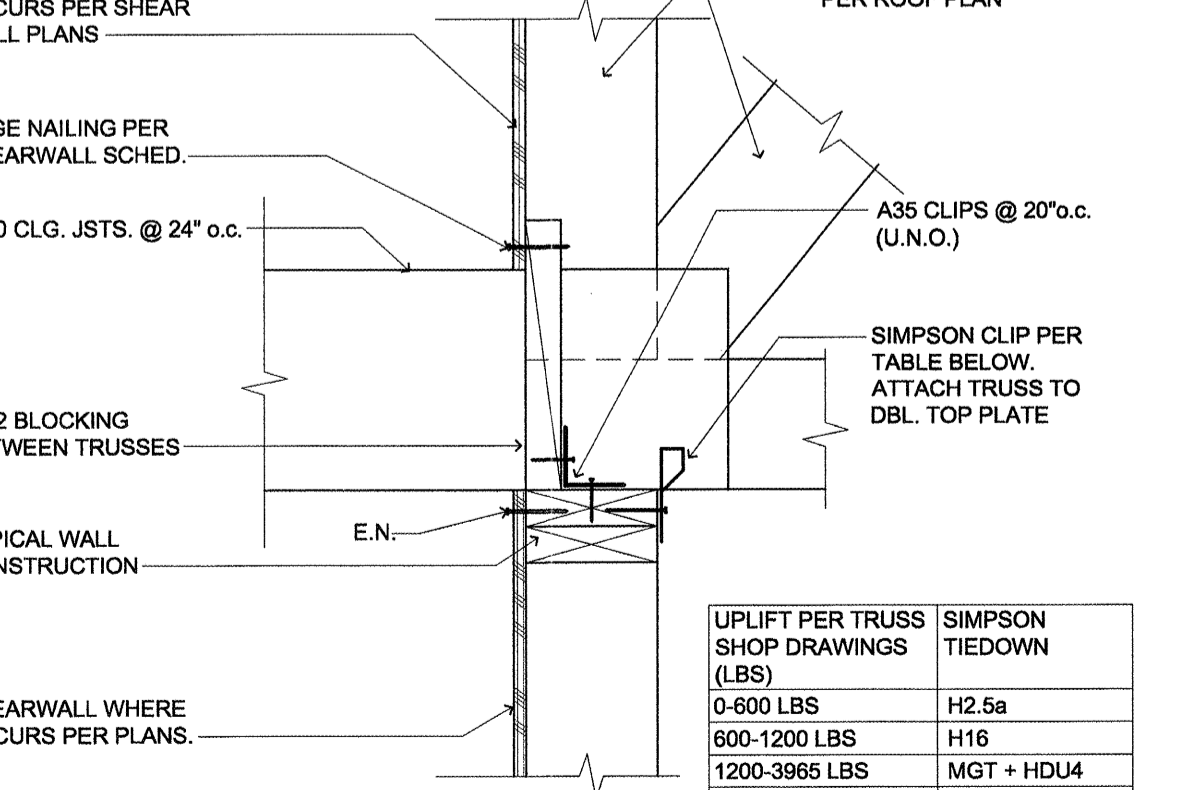
5 SHEAR TRANSFER (JOIST BEARING ON PARTYWALL)
SCALE: N.T.S. (1:16)
T:\06\WDP\PLS1158\THG0611505



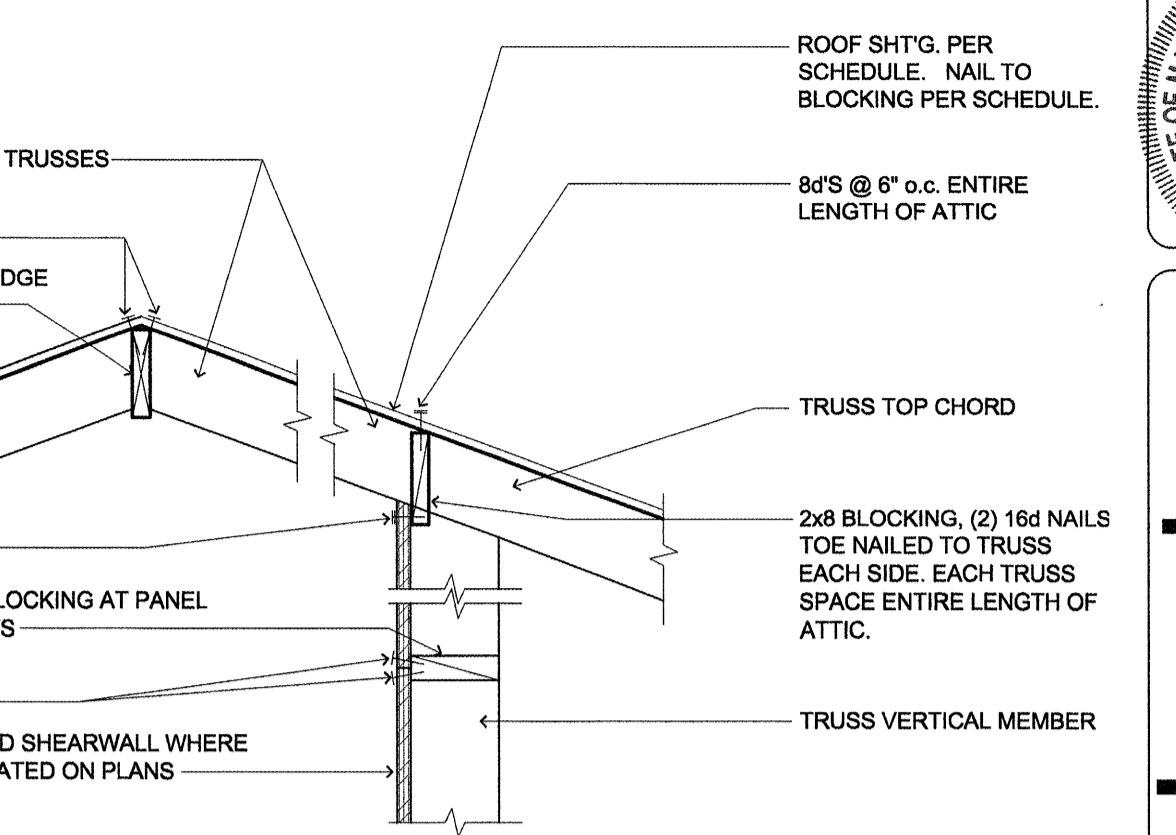
4b JOIST BLOCKING (SHEAR) (RAISED CORRIDOR CEILING @ GYP BRD)
SCALE: 1 1/2" = 1'-0"
T:\06\WDP\PLS1118\RF0611108



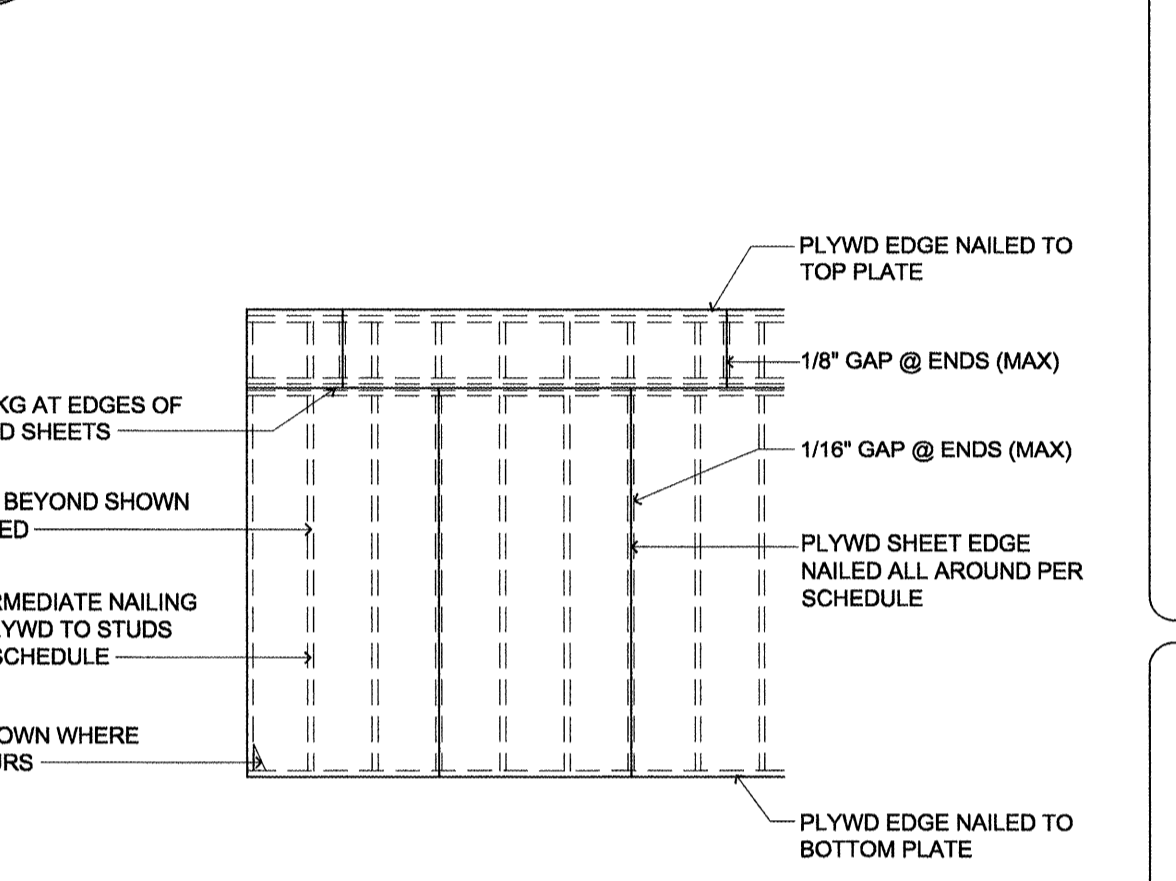
4A JOIST BLOCKING (SHEAR) (RAISED CORRIDOR CEILING)
SCALE: 1 1/2" = 1'-0"
T:\06\WDP\PLS1118\RF0611107



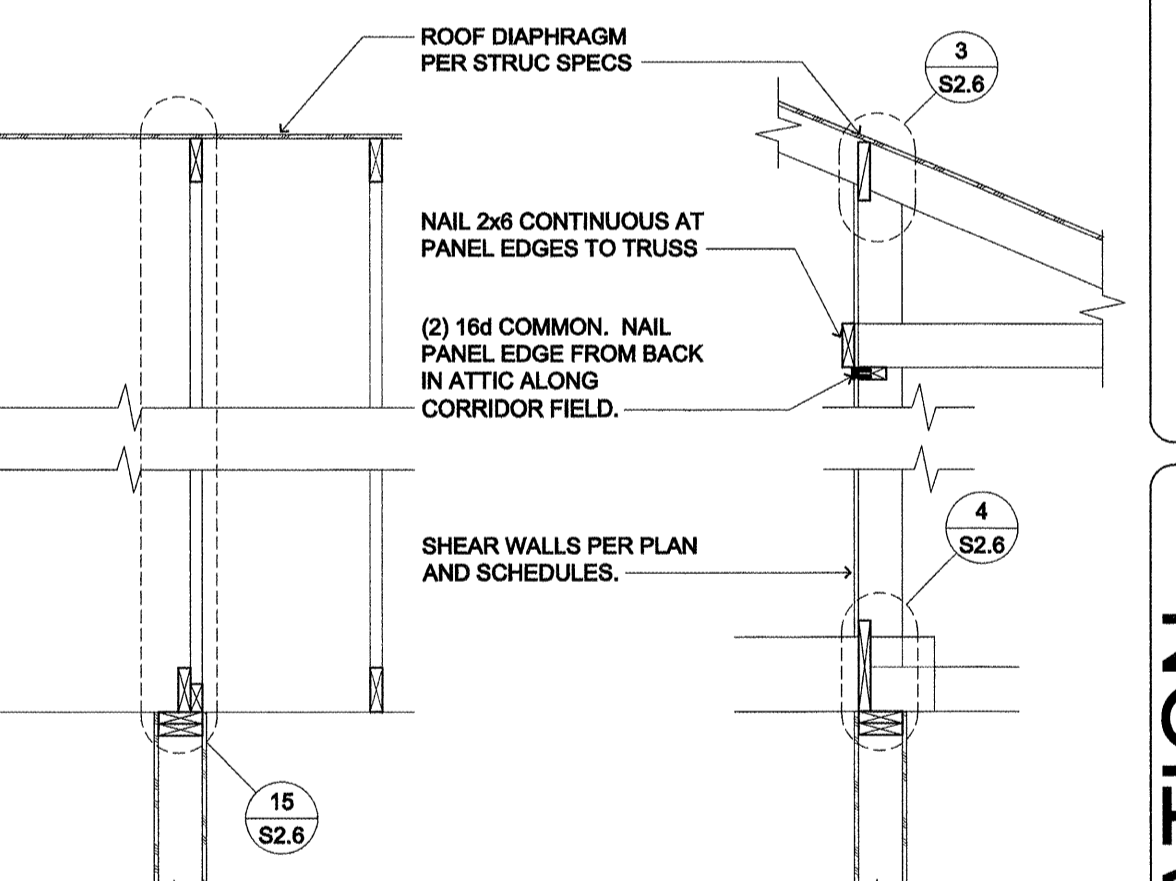
4 JOIST BLOCKING (CORRIDOR CEILING AT ROOF)
SCALE: 1 1/2" = 1'-0"
T:\06\WDP\PLS1118\RF0611104



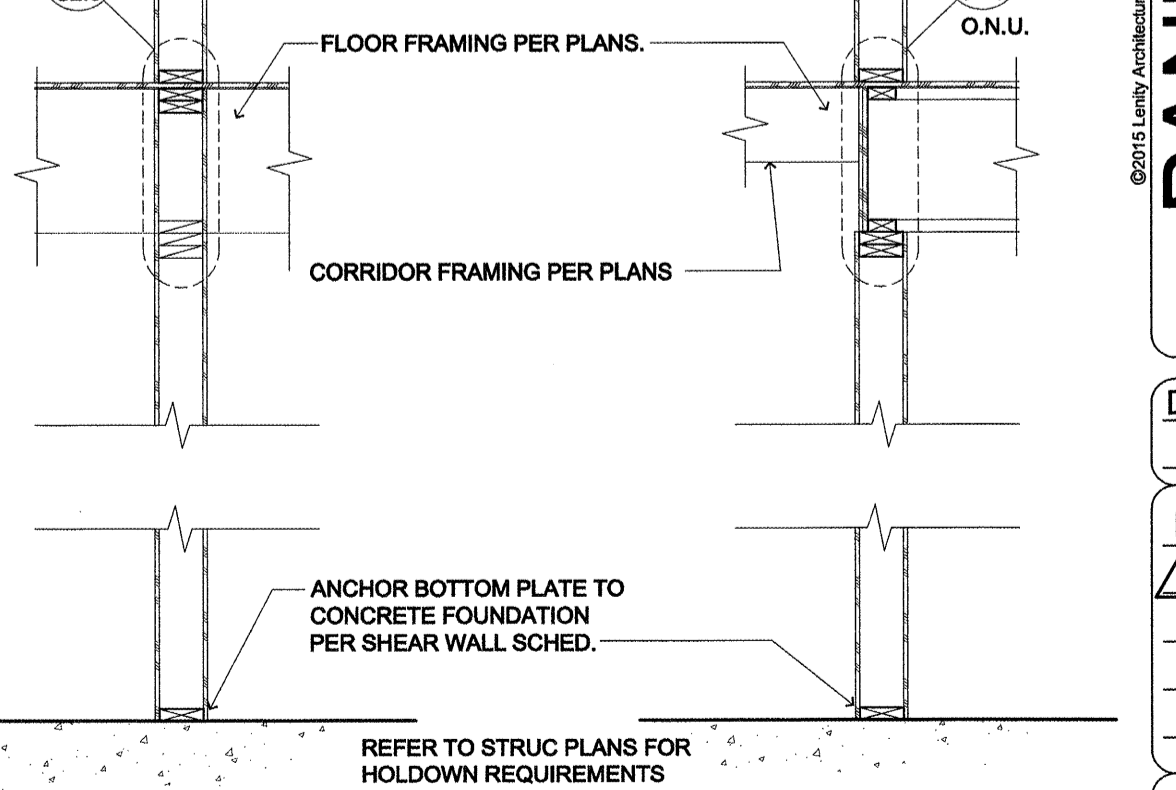
3 SHEAR TRANSFER DETAIL (ROOF DIAPHRAGM TO SHEARWALL)
SCALE: 3/4" = 1'-0"
T:\06\WDP\PLS1158\THG0611505



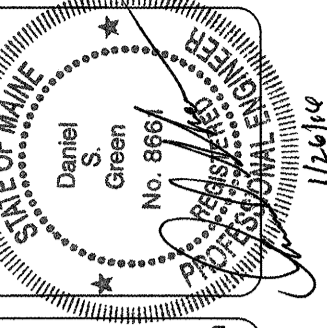
2 PLYWOOD SHEARWALL (SHEATHING LAYOUT)
SCALE: 1/4" = 1'-0"
T:\06\WDP\PLS1158\THG0611504



3 SHEAR TRANSFER DETAIL (ROOF DIAPHRAGM TO SHEARWALL)
SCALE: 3/4" = 1'-0"
T:\06\WDP\PLS1158\THG0611505



1 SHEAR WALL (FRAMING DETAIL)
SCALE: 1/2" = 1'-0"
T:\06\WDP\PLS1158\THG0611504



lenity architecture
3150 Wells Court, SE, Salem, Oregon 97301
P: 503 399 1050 F: 503 399 0585 W: lenityarchitecture.com

COLSON AND COLSON
GENERAL CONTRACTOR, INC.
2260 MAGILCHRIST STREET, SE, SUITE 200
SALEM, OREGON, 97302
PHONE (503) 586-7401

PORTLAND
RETIREMENT RESIDENCE
802 OCEAN AVE., PORTLAND, MAINE 04103

PANELIZATION and SHEARWALL and DETAILS

DATE: 8/28/2015
REVISED DATE: 9/22/2015
SHEET: S2.6

DATE: 11/14/2015 4:28 PM Andrew 0601202015 11:45 AM jkand 18p:\h\an\m\p\portland\retire\p\0612002.shear wall details.dwg S2.6