

lenity
architecture

3150 Meigs Court, SE, Salem, Oregon 97301
P: 503 399 1030 F: 503 399 0585 W: lenityarchitecture.com

COLSON AND COLSON
GENERAL CONTRACTOR, INC.

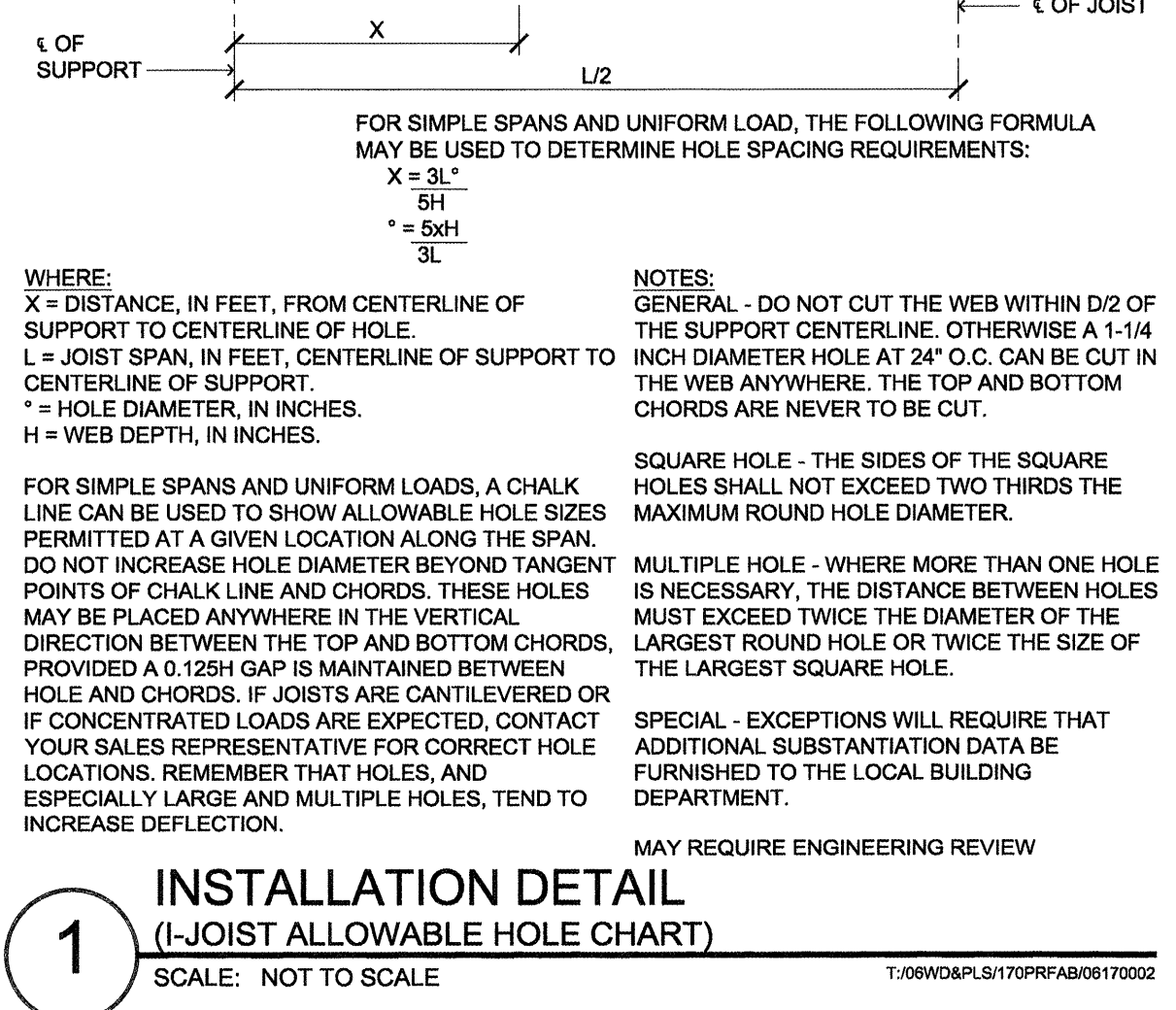
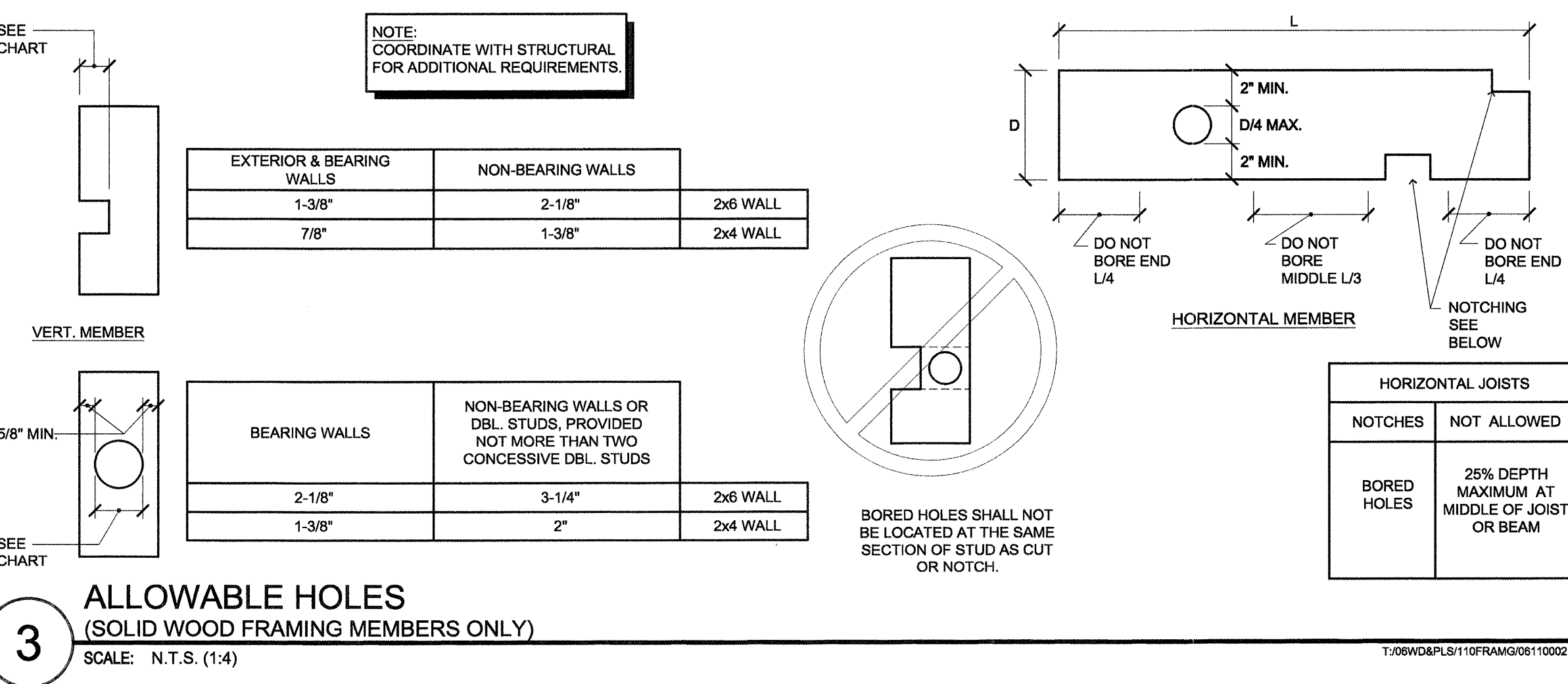
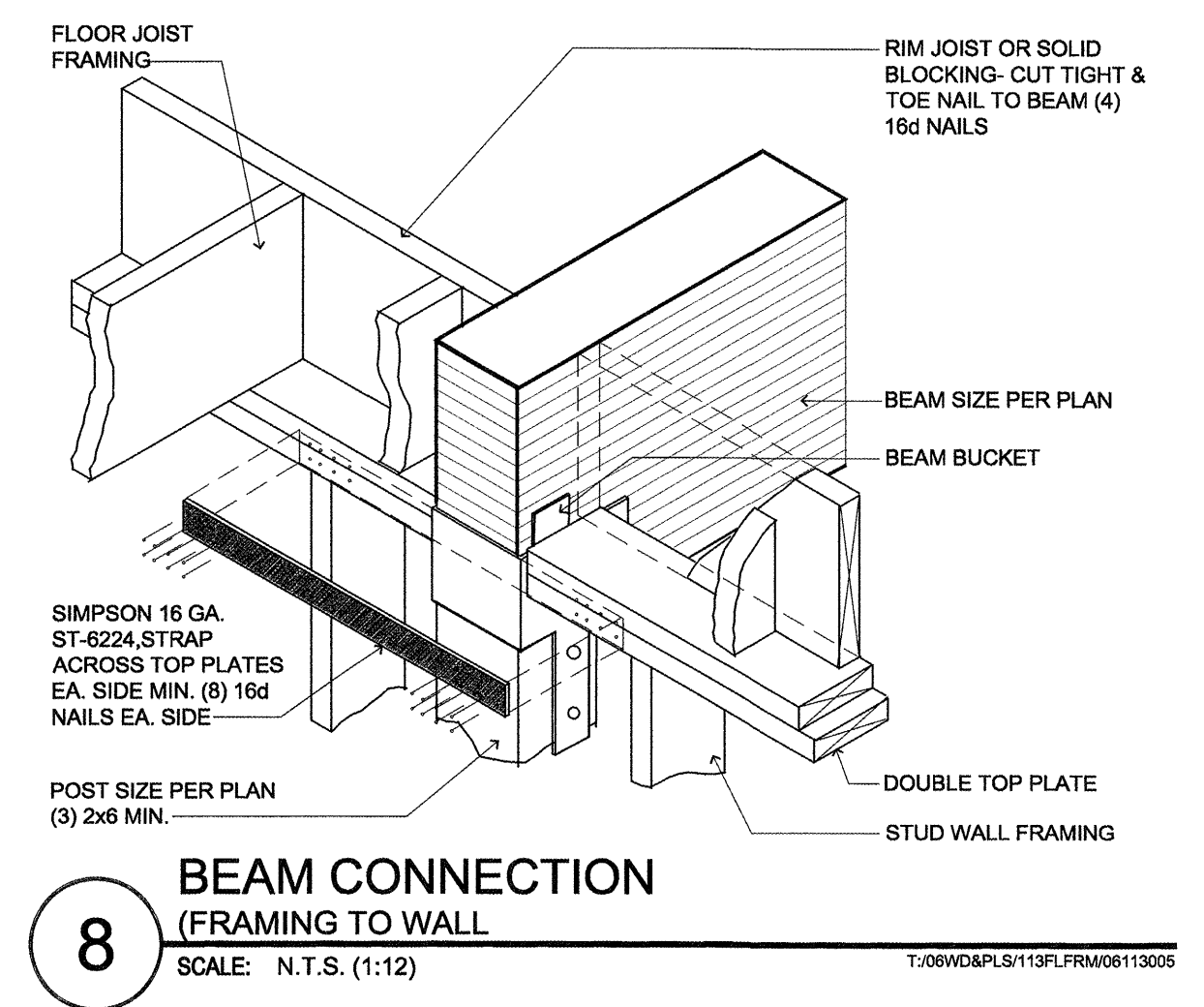
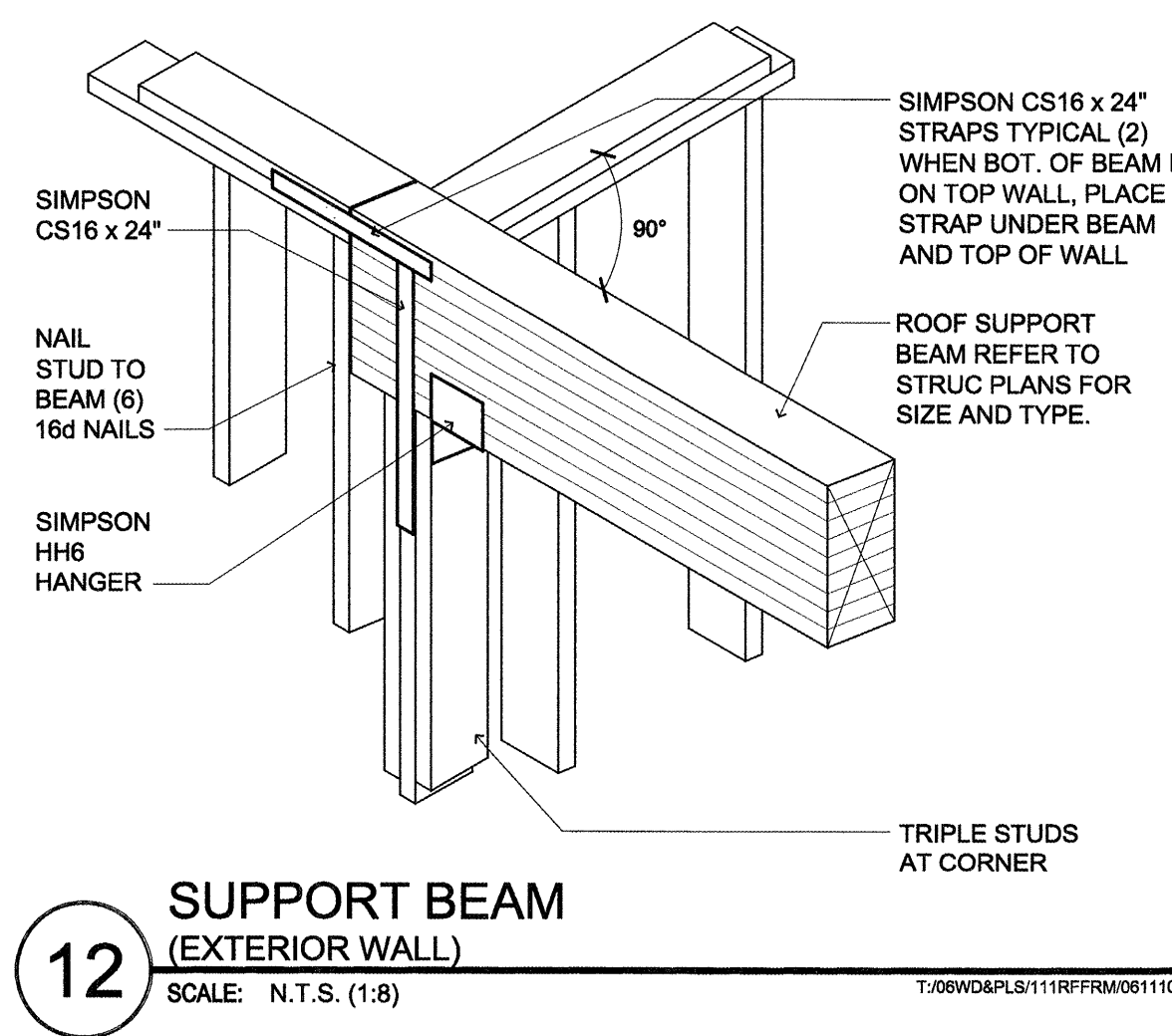
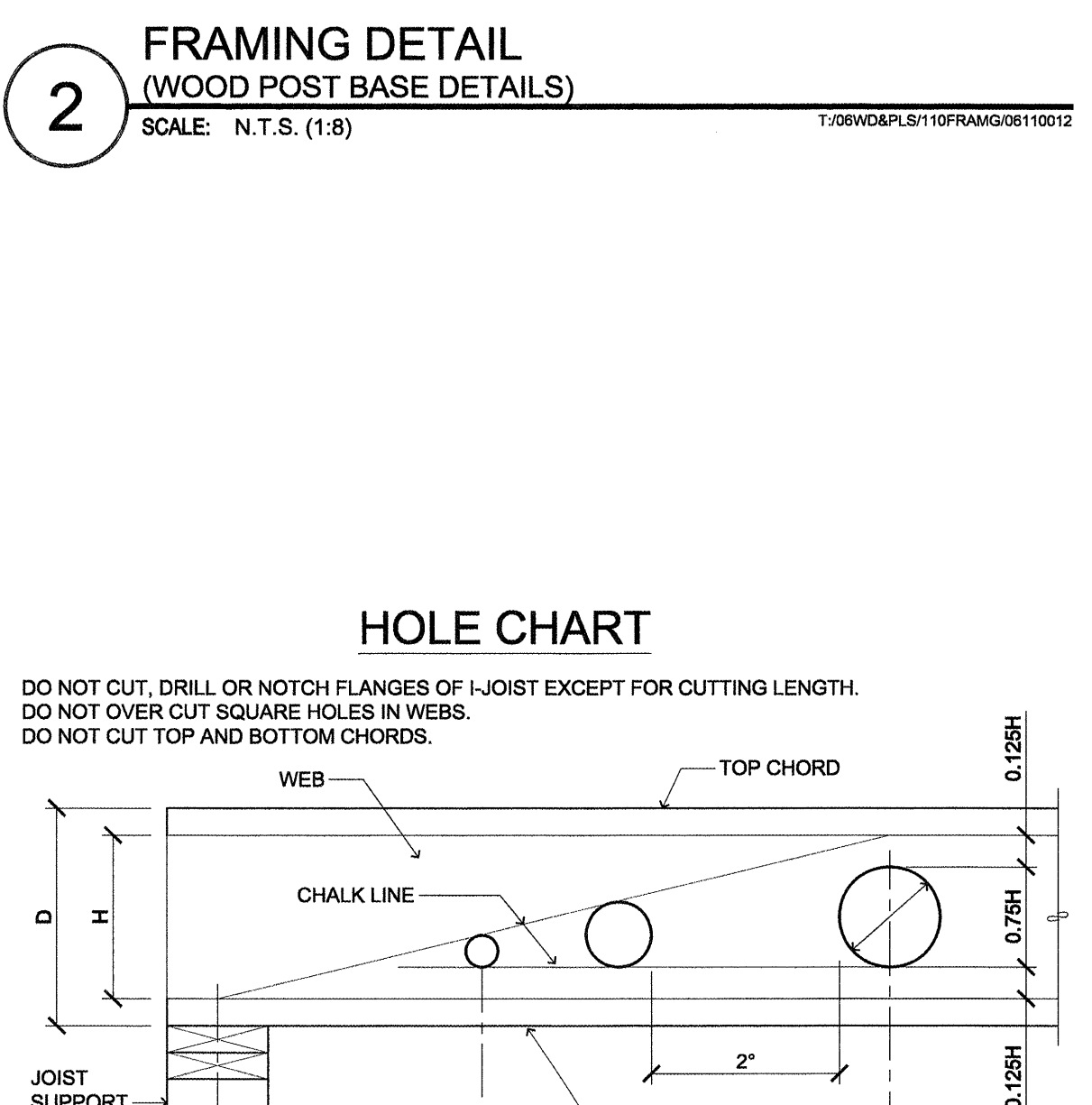
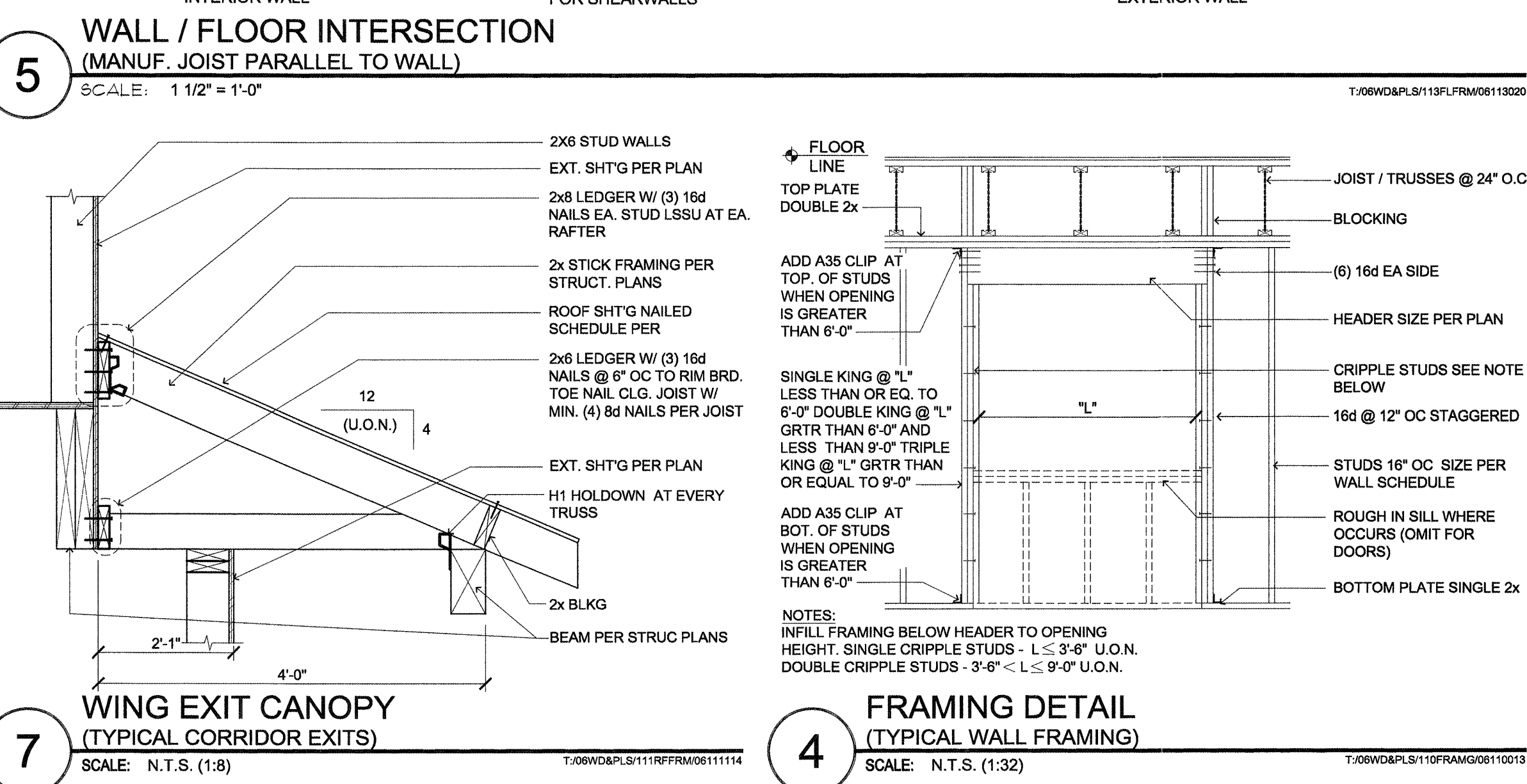
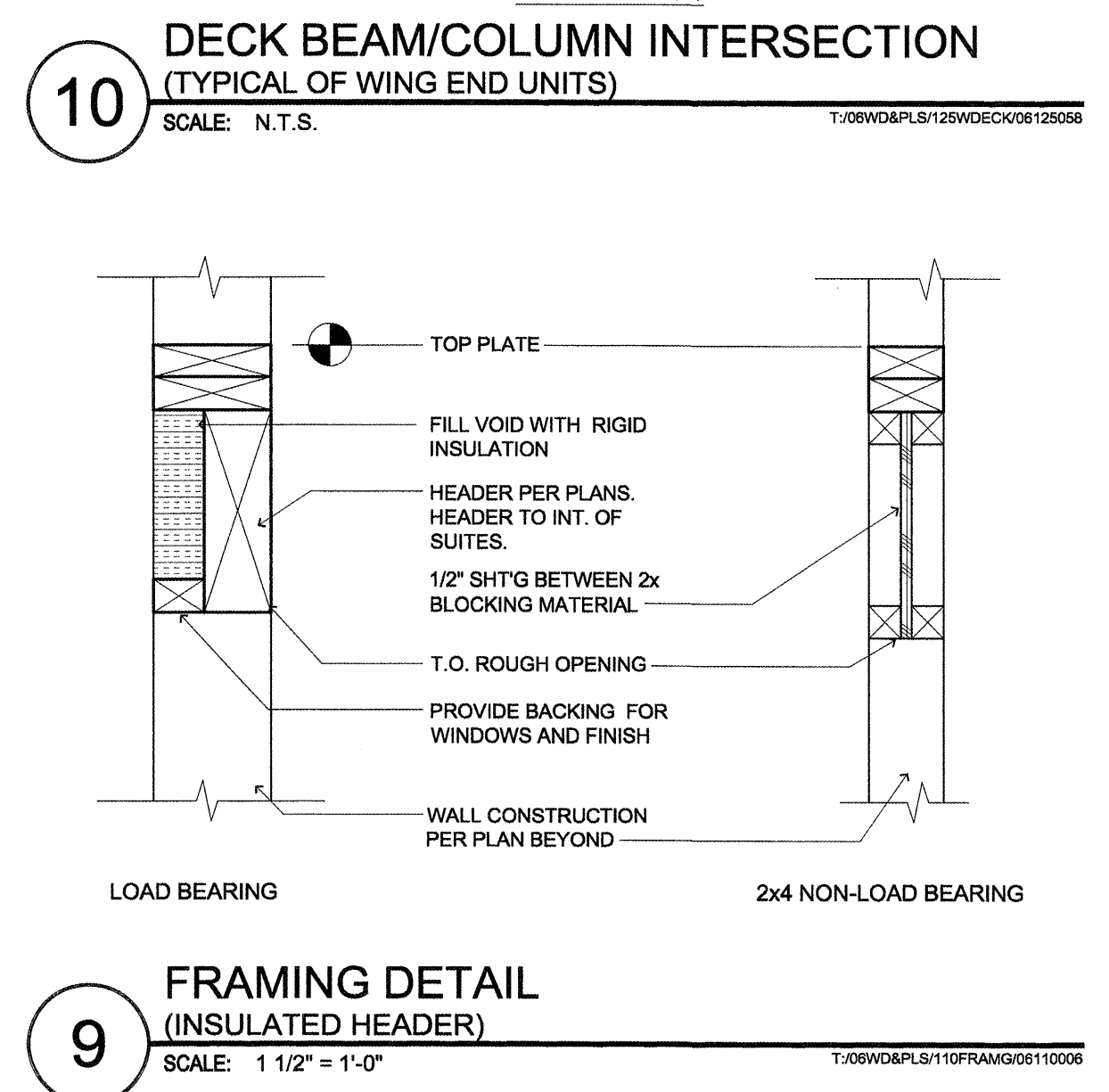
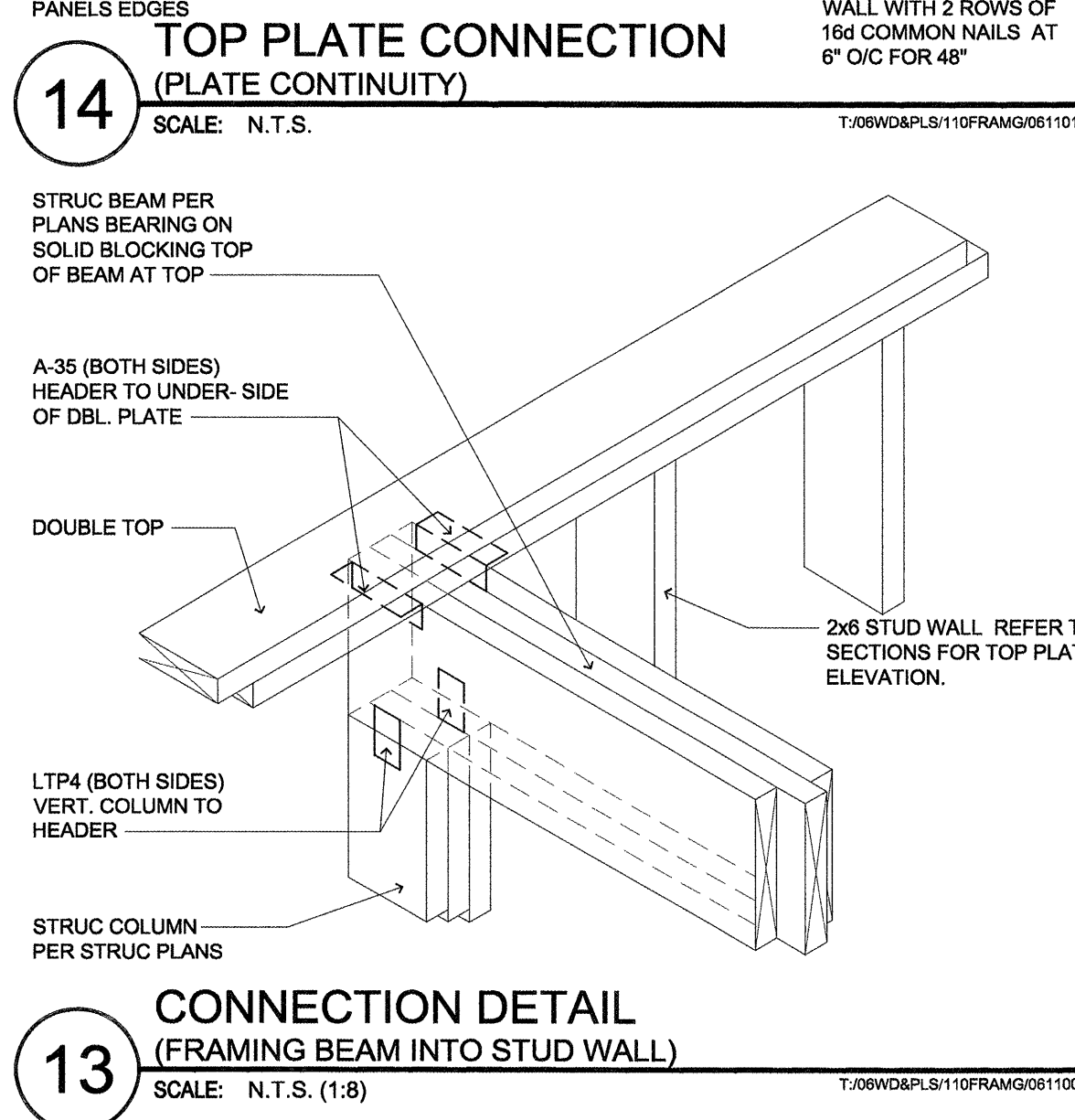
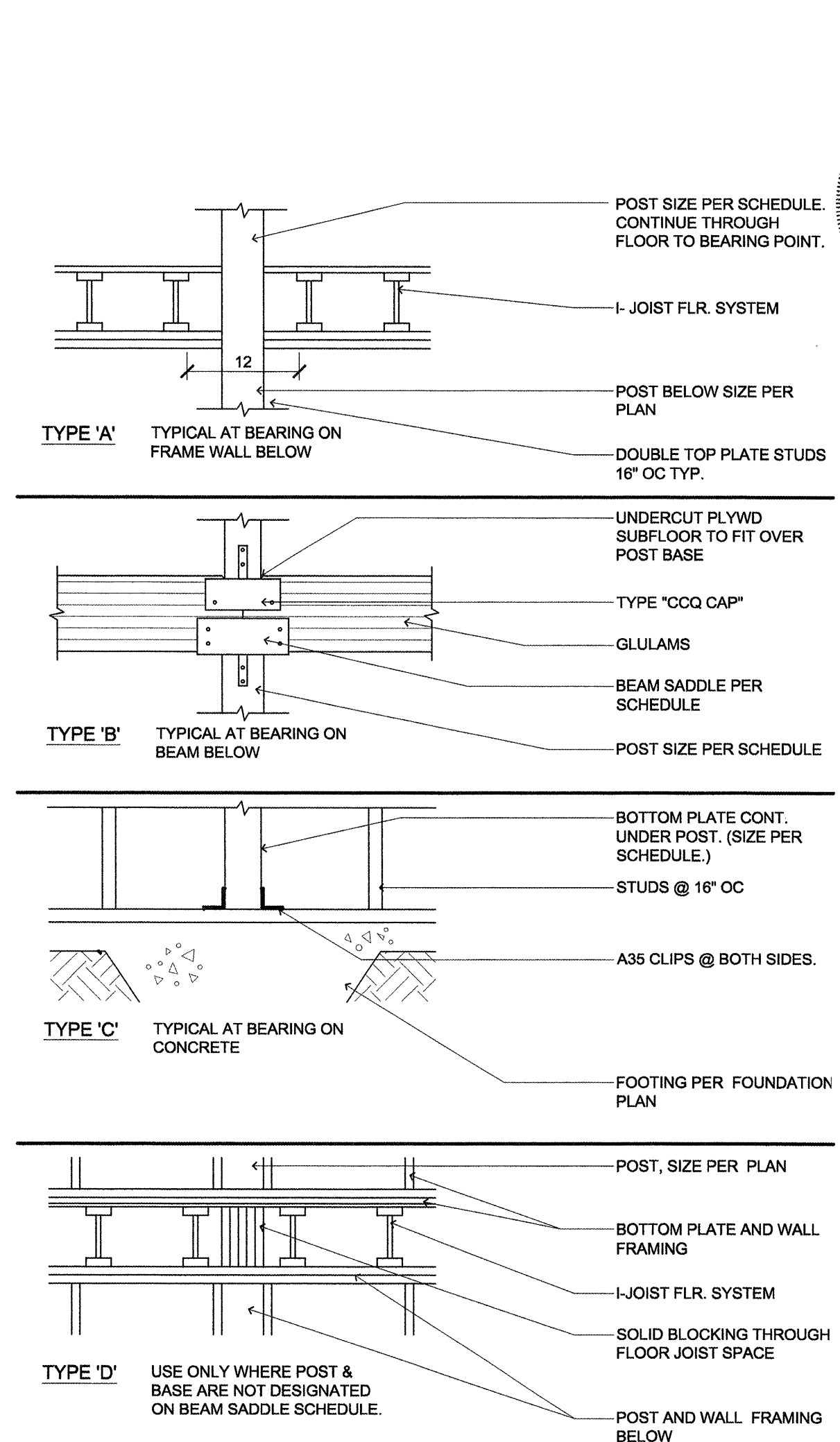
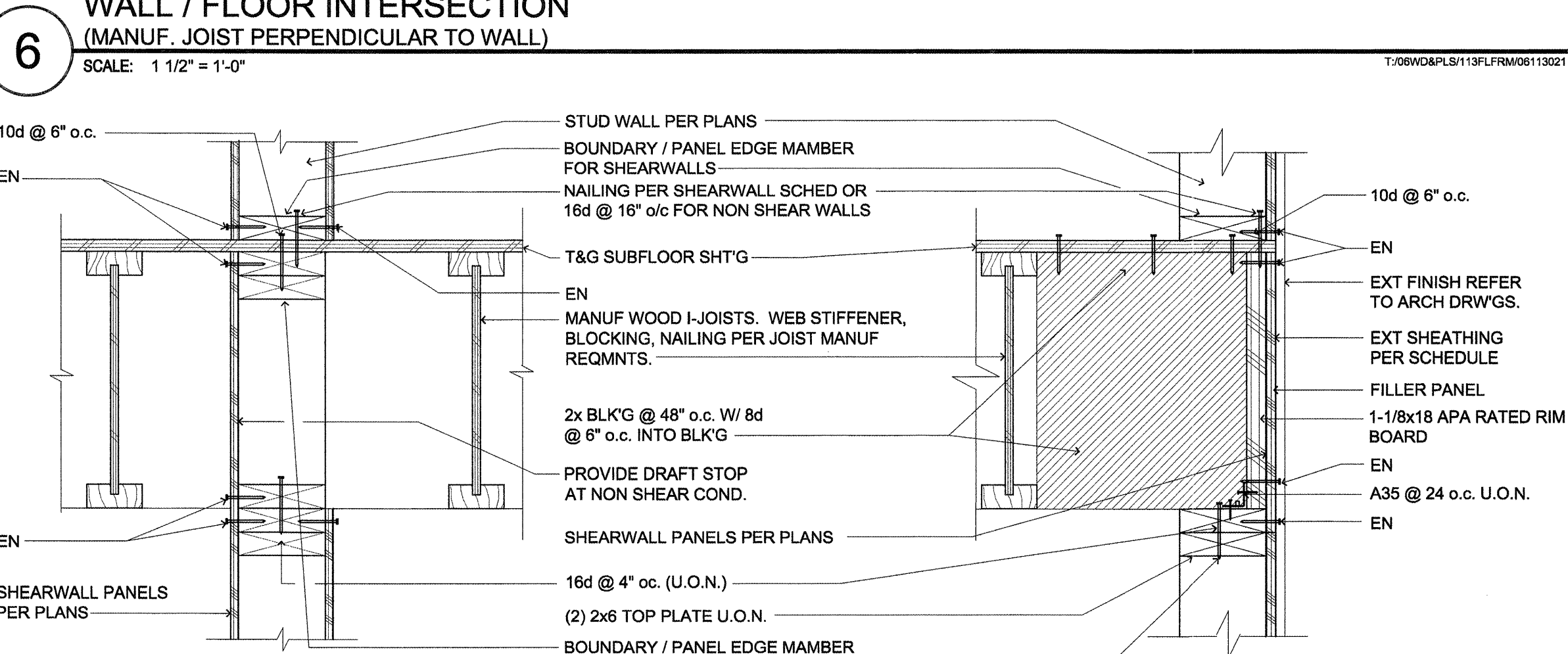
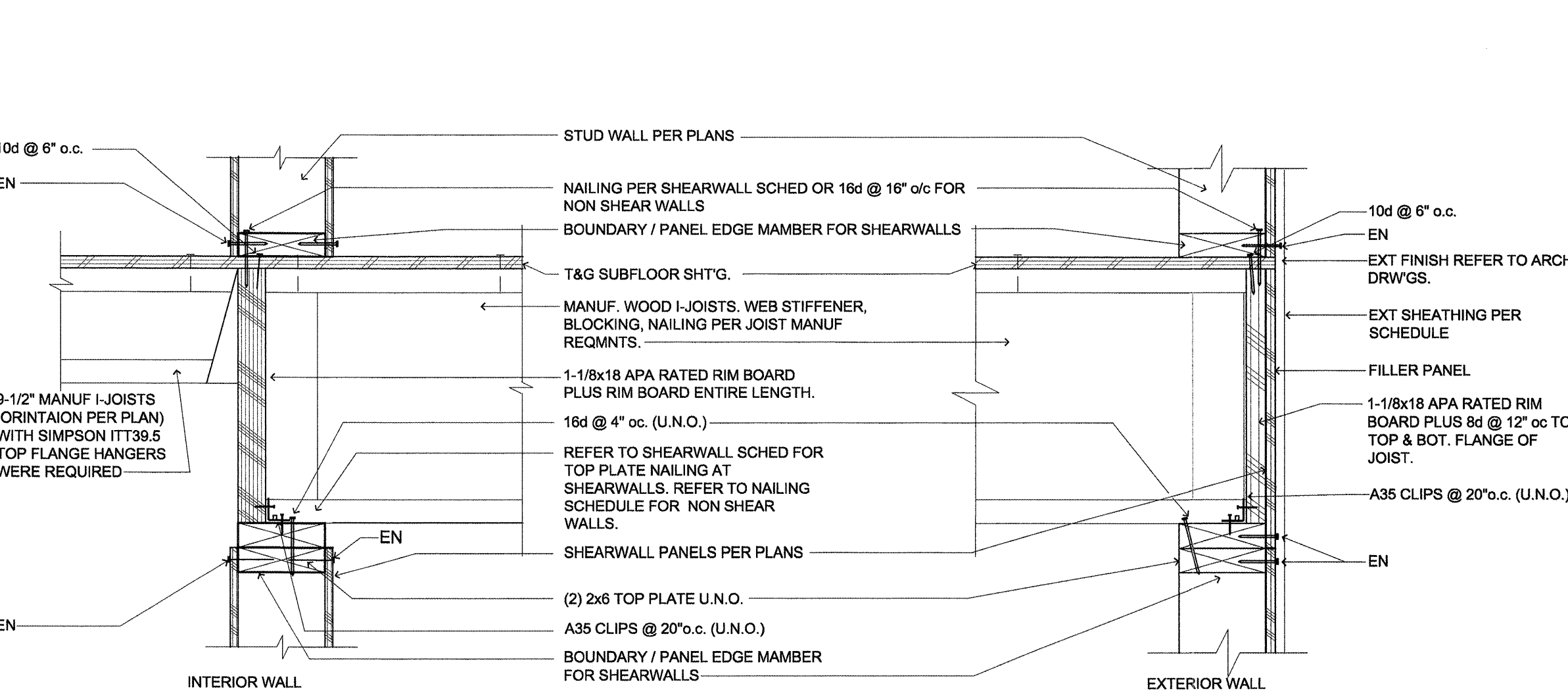
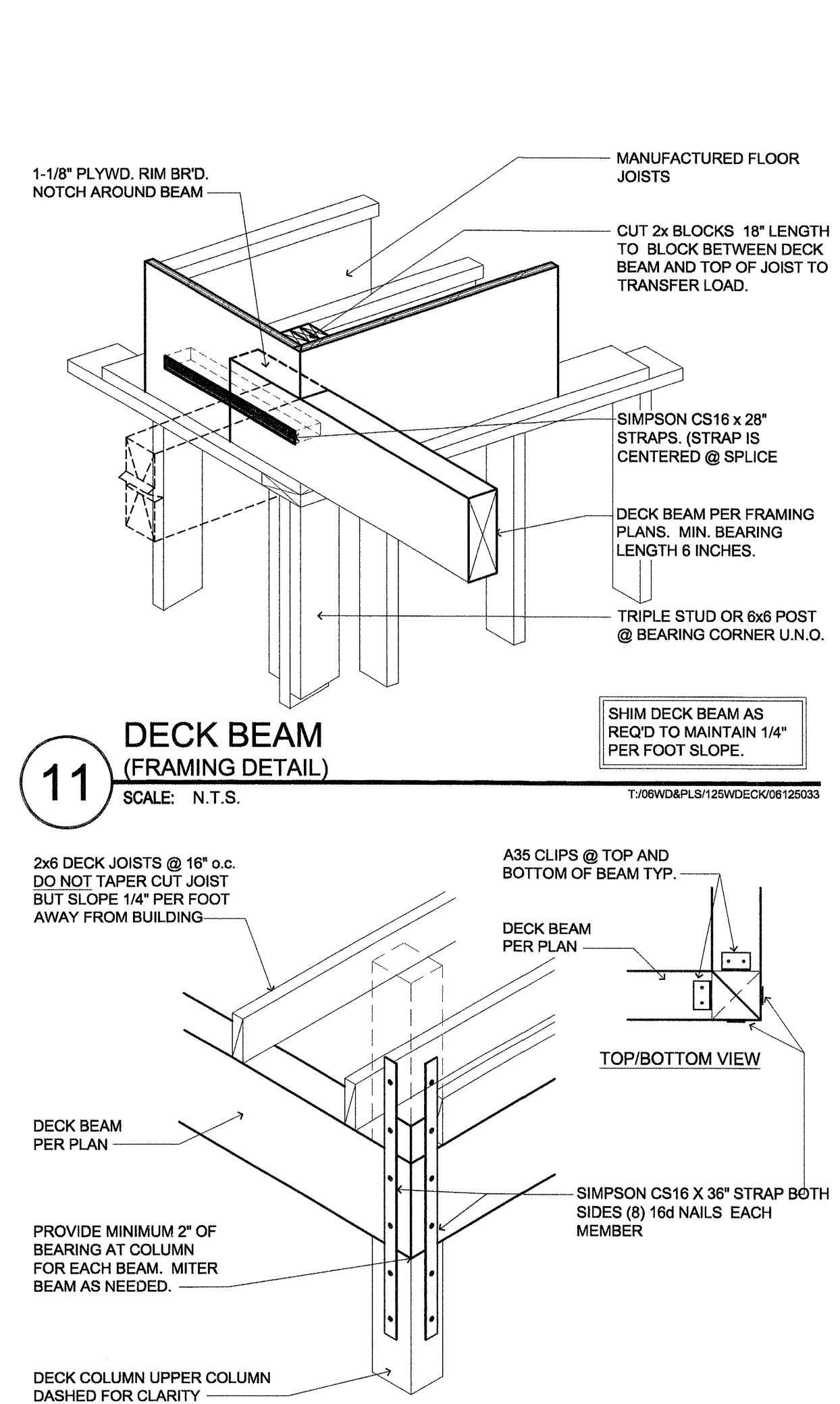
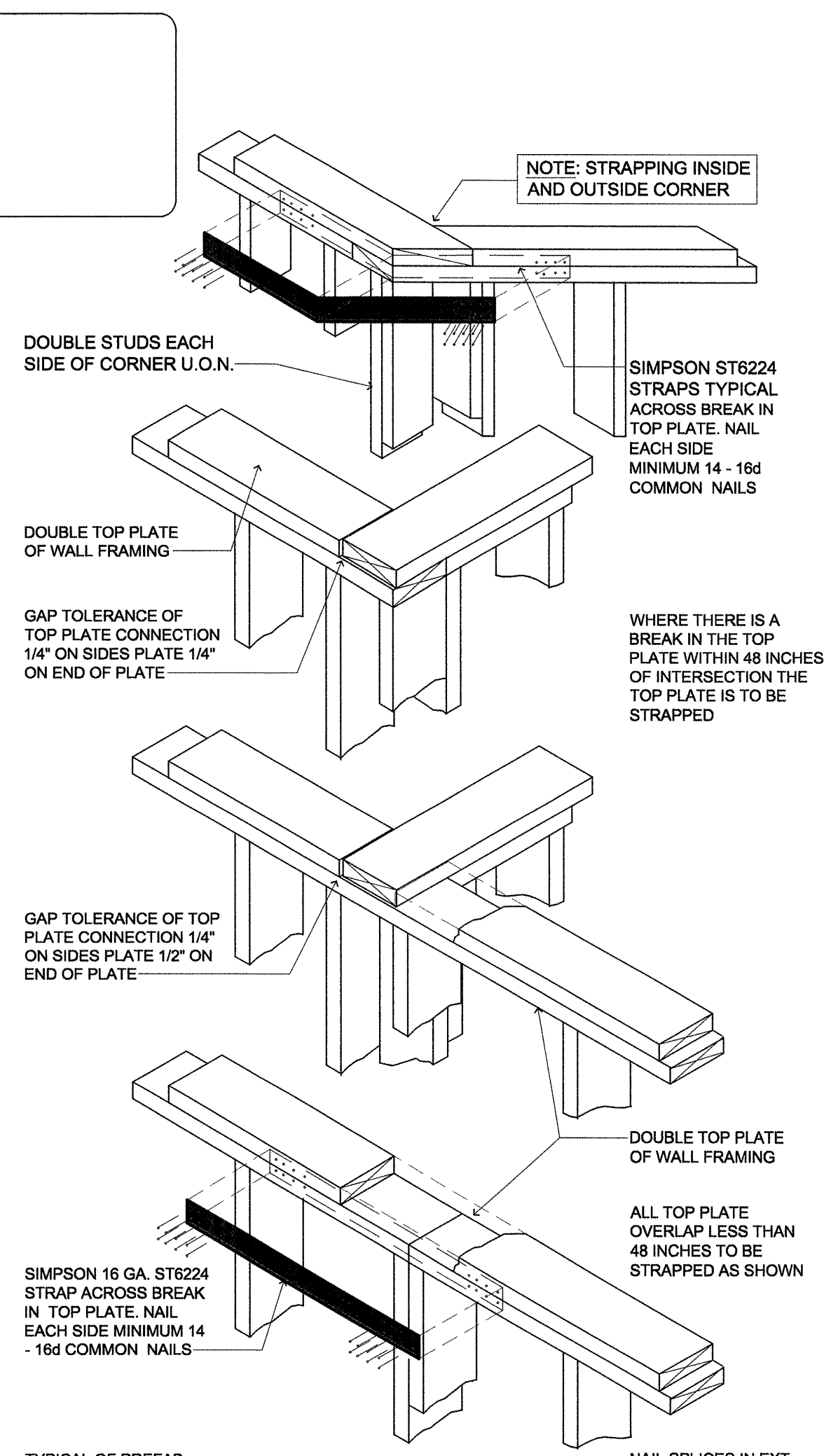
2280 McGUIRE STREET SE, SUITE 200
SALEM, OREGON, 97302
PHONE (503) 586-7401

PORTLAND
RETIREMENT RESIDENCE

802 OCEAN AVE., PORTLAND, MAINE 04103

STRUCTURAL
FRAMING
DETAILS

DATE: 8/28/2015
REVISED DATE: 9/22/2015
SHEET: S2.3



WHERE:
X = DISTANCE, IN FEET, FROM CENTERLINE OF SUPPORT TO CENTERLINE OF HOLE.
L = JOIST SPAN, IN FEET, CENTERLINE OF SUPPORT TO CENTERLINE OF SUPPORT.
H = HOLE DIAMETER, IN INCHES.
H = WEB DEPTH, IN INCHES.

NOTES:
GENERAL - DO NOT CUT THE WEB WITHIN D/2 OF THE SUPPORT CENTERLINE. OTHERWISE A 1-1/4 INCH DIAMETER HOLE AT 24" O.C. CAN BE CUT IN THE WEB ANYWHERE. THE TOP AND BOTTOM CHORDS ARE NEVER TO BE CUT.
SQUARE HOLE - THE SIDES OF THE SQUARE HOLES SHALL NOT EXCEED TWO THIRDS THE MAXIMUM ROUND HOLE DIAMETER.
MULTIPLE HOLE - WHERE MORE THAN ONE HOLE IS NECESSARY, THE DISTANCE BETWEEN HOLES MUST EXCEED TWICE THE DIAMETER OF THE LARGEST ROUND HOLE OR TWICE THE SIZE OF THE LARGEST SQUARE HOLE.
SPECIAL - EXCEPTIONS WILL REQUIRE THAT ADDITIONAL SUBSTANTIATION DATA BE FURNISHED TO THE LOCAL BUILDING DEPARTMENT.
MAY REQUIRE ENGINEERING REVIEW