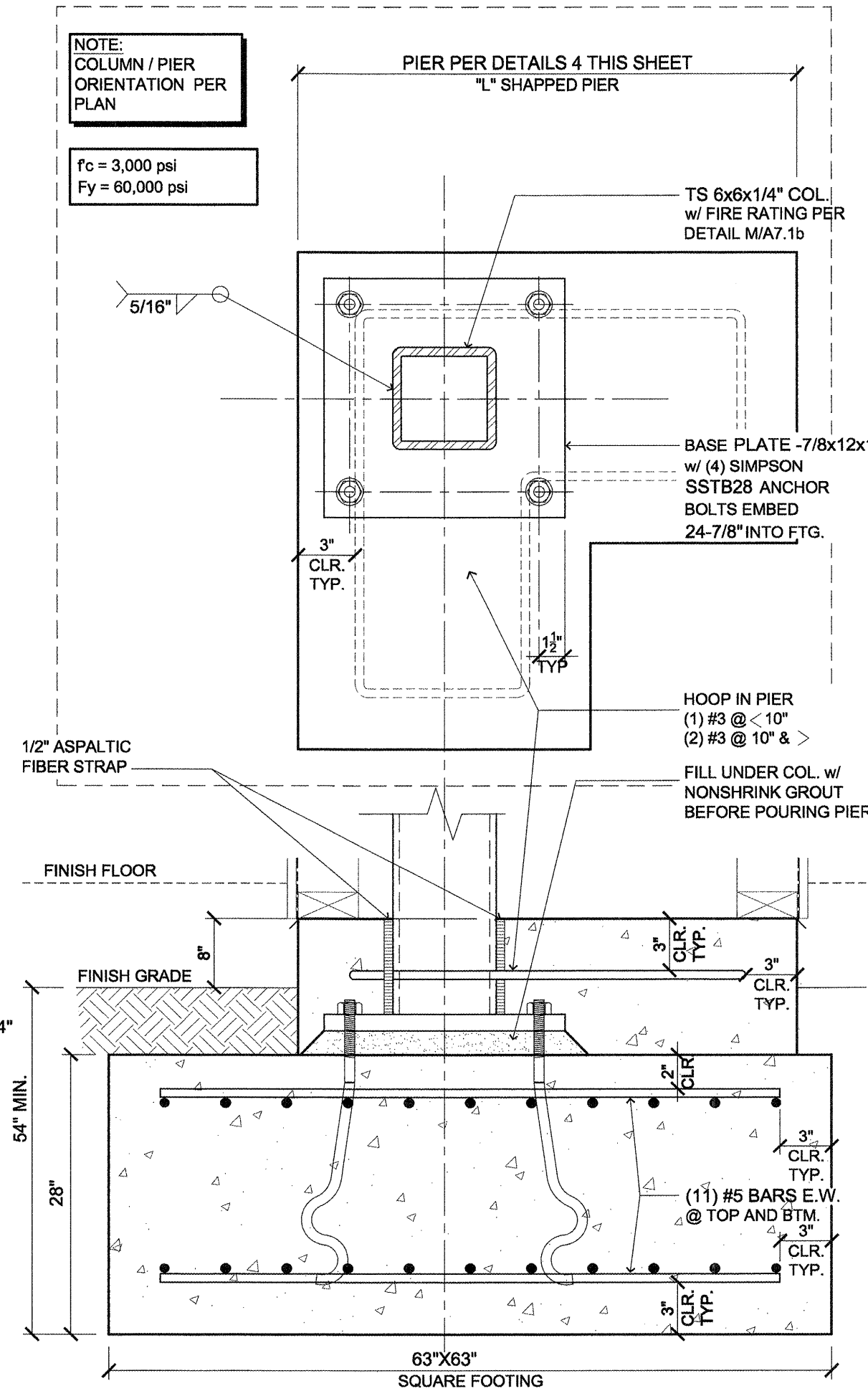
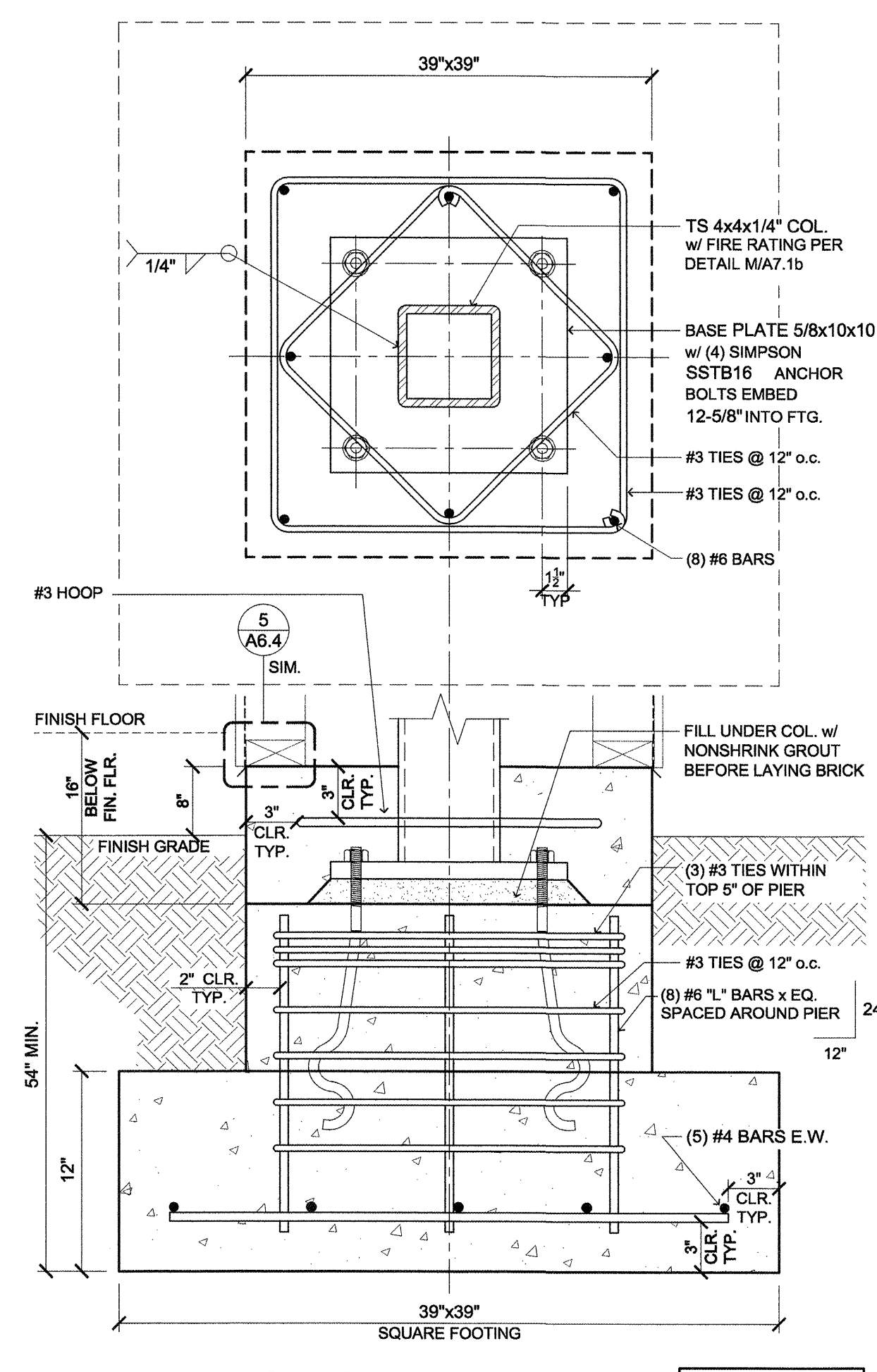


4 ENTRY CANOPY (PIER)
SCALE: 3/4" = 1'-0"



2 ENTRY CANOPY (BASEPLATE & FOUNDATION)
SCALE: NOT TO SCALE



3 ENTRY CANOPY (BASEPLATE & FOUNDATION)
SCALE: NOT TO SCALE

www.lenity.com 11/20/2015 4:28 PM [saved] plot:12022015 11:45 AM [saved] P:\hawthorn\me-portland\details\03\030020\03\030020.dwg entry canopy.dwg 301.0a