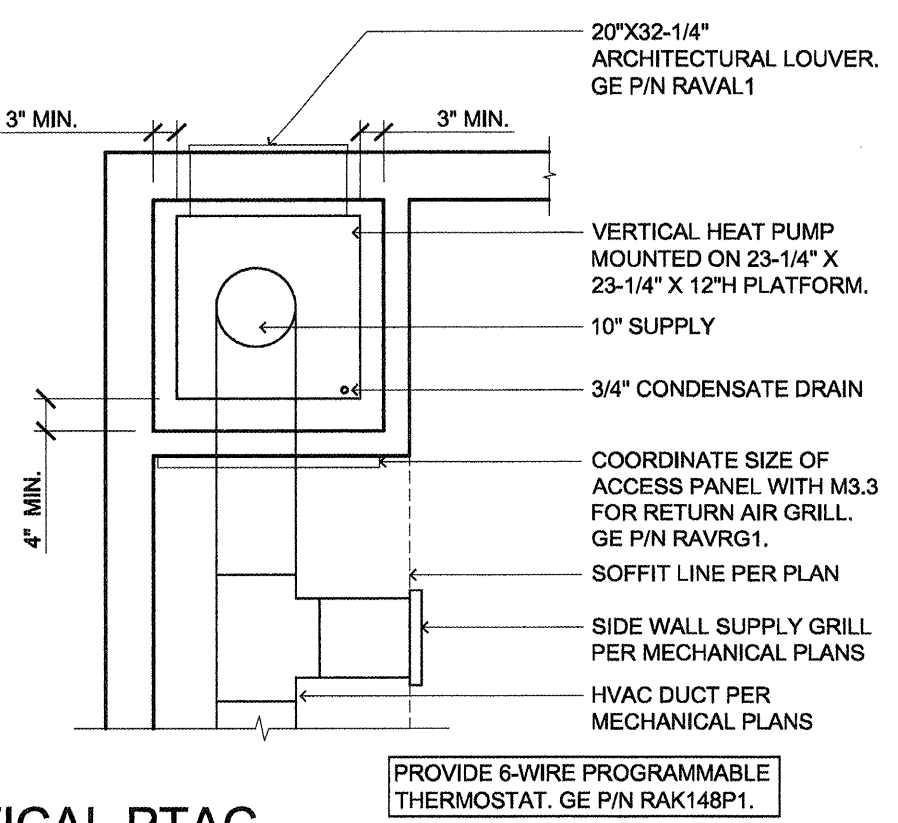
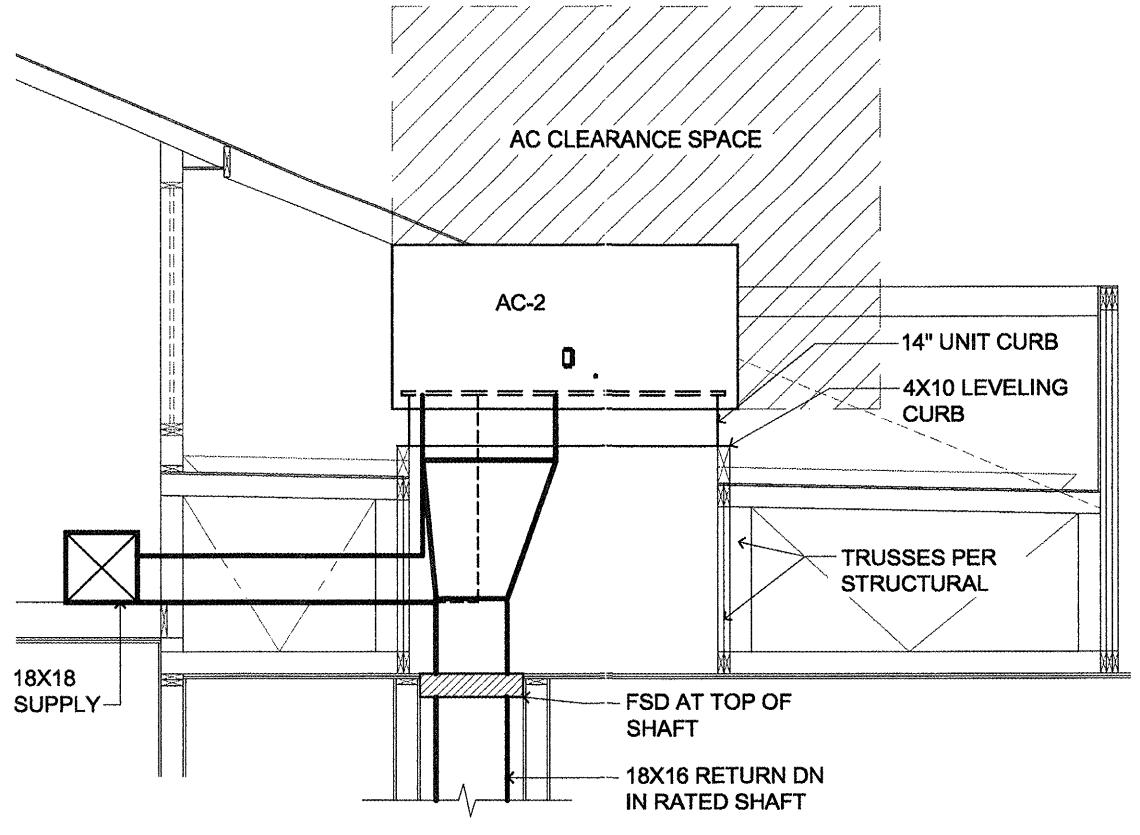


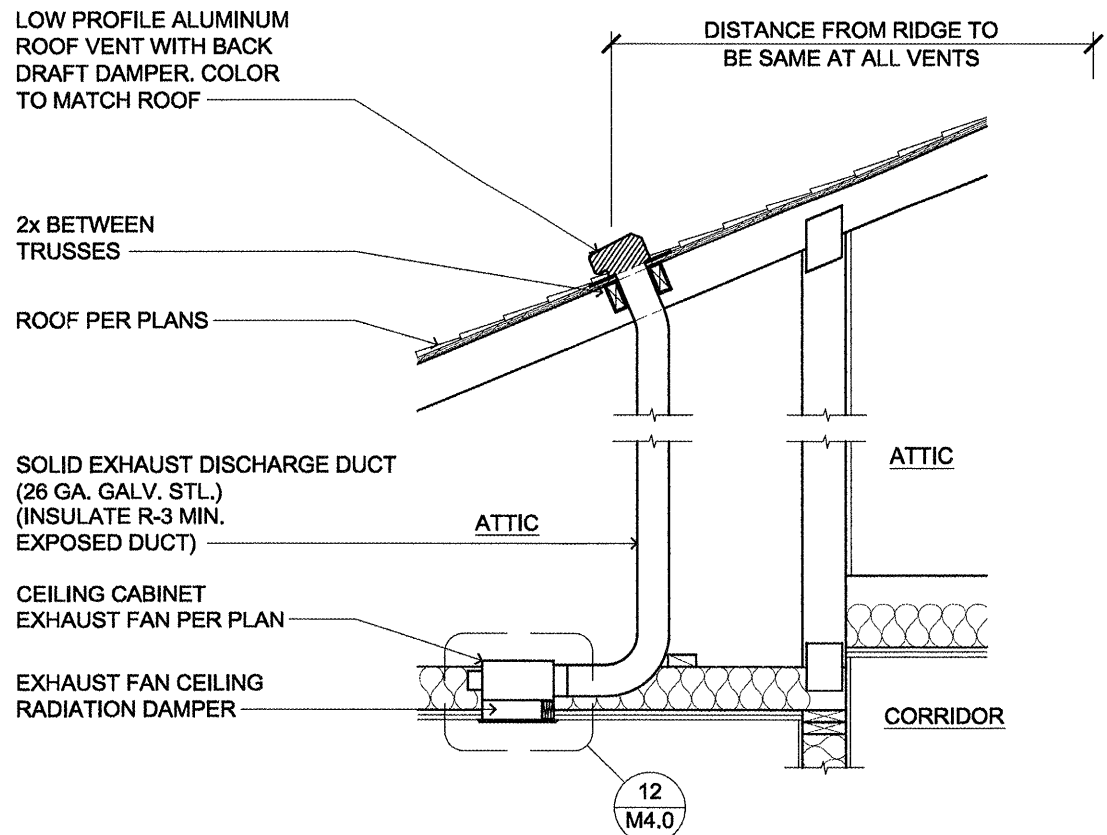
17 ELEVATOR VENTING
SHALL COMPLY WITH ALL OF 2012-NC BUILDING CODE CHAPTER 30
SCALE: 1/2" = 1'-0"



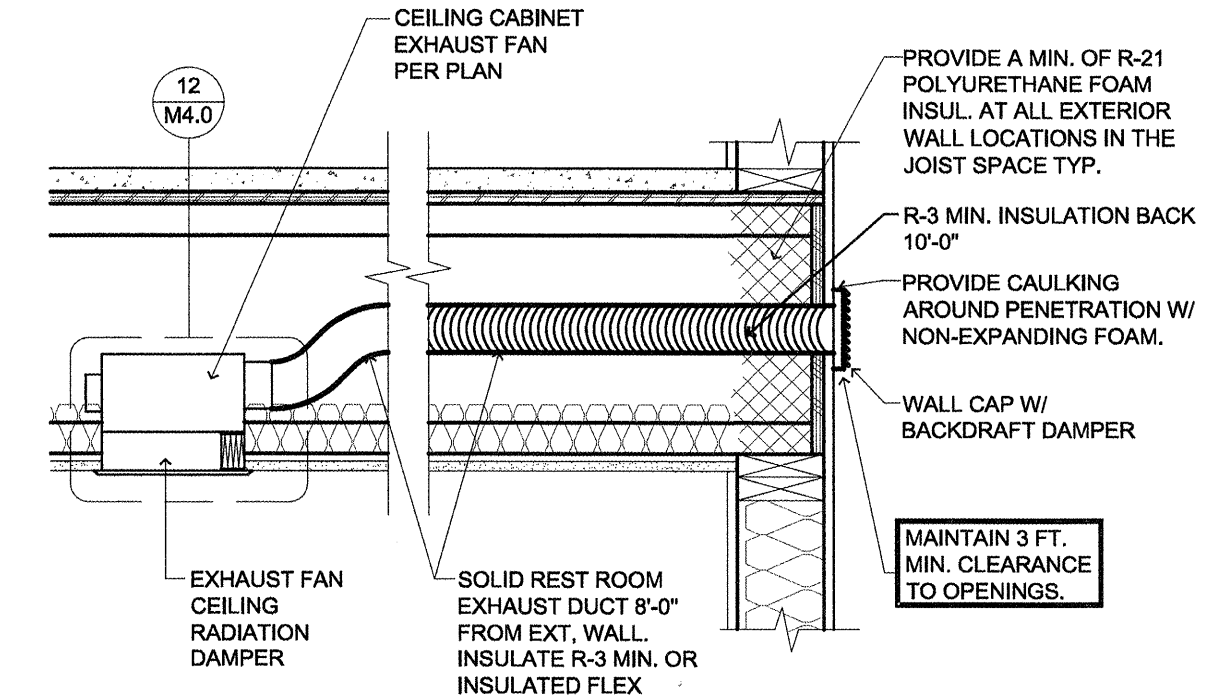
10 VERTICAL PTAC TYPICAL CLOSET DETAIL
SCALE: 1/2" = 1'-0"



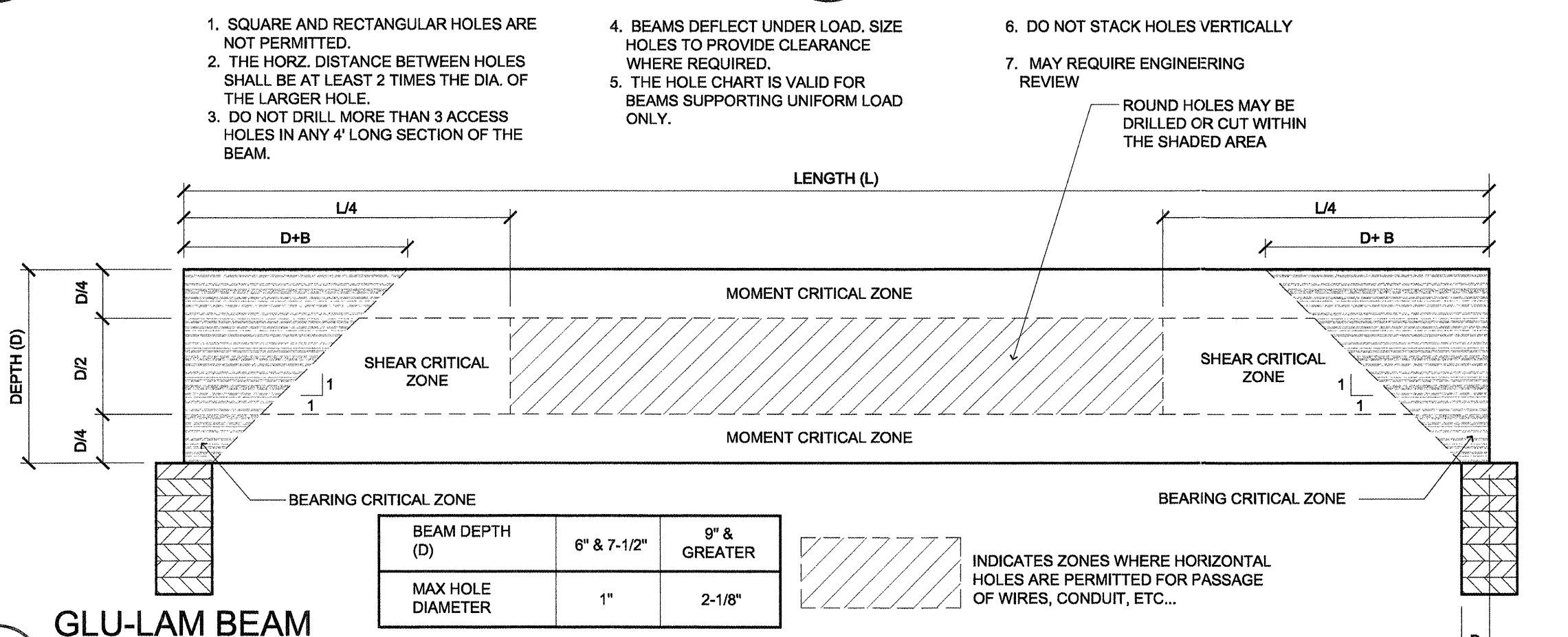
6 AC-2 (SECTION)
SCALE: 1/4" = 1'-0"



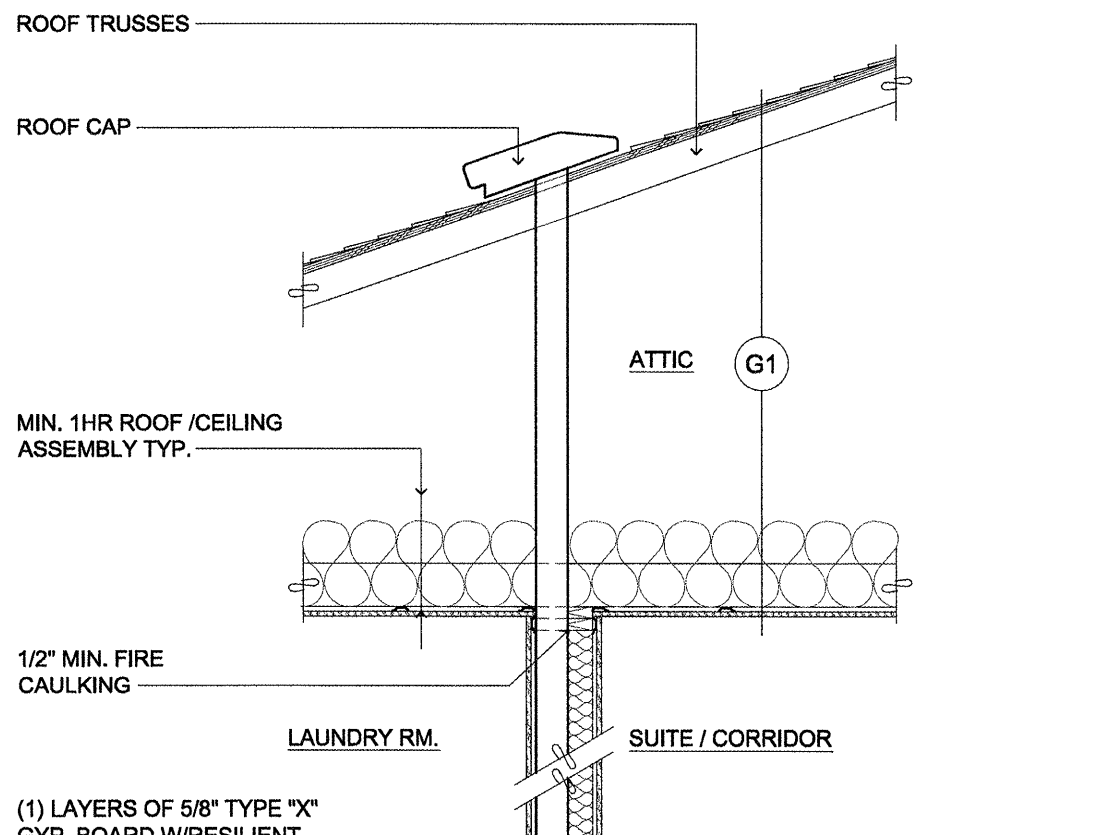
3 CEILING EXHAUST FAN TERMINATION (AT ATTIC SPACE)
SCALE: N.T.S.



13 CEILING EXHAUST FAN TERMINATION (AT EXT. WALL, FLOOR SPACES)
SCALE: N.T.S.

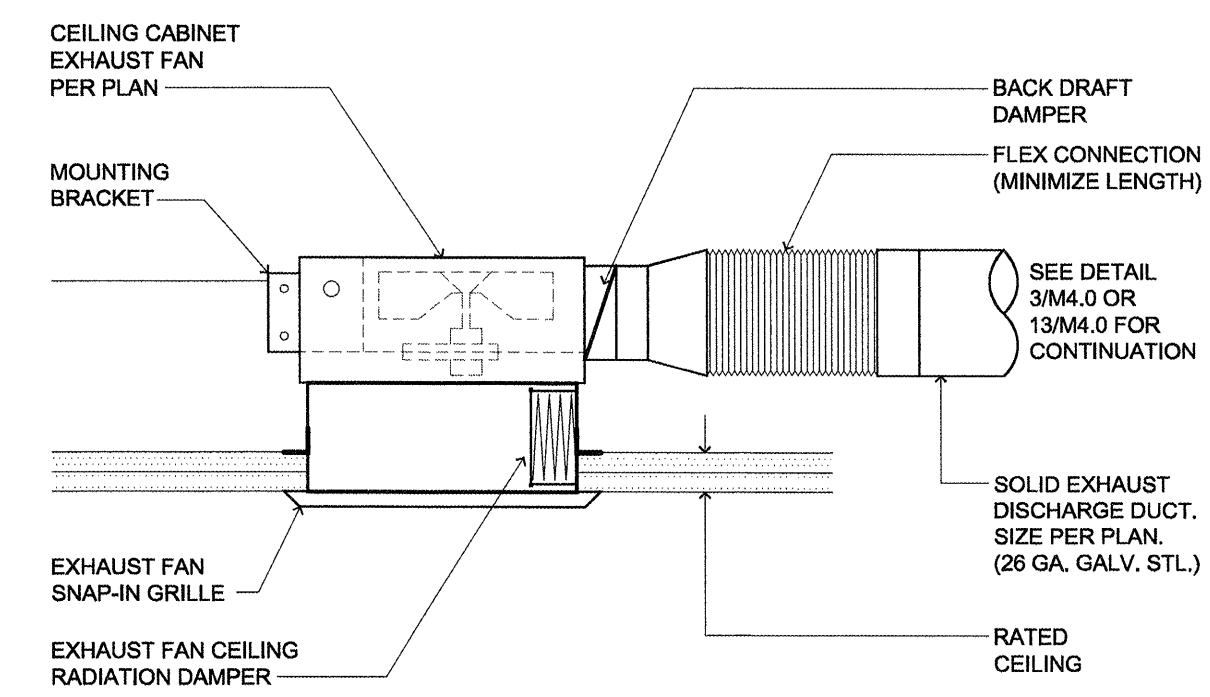


9 GLU-LAM BEAM (NOTCHES AND HOLES)
SCALE: 1" = 1'-0"

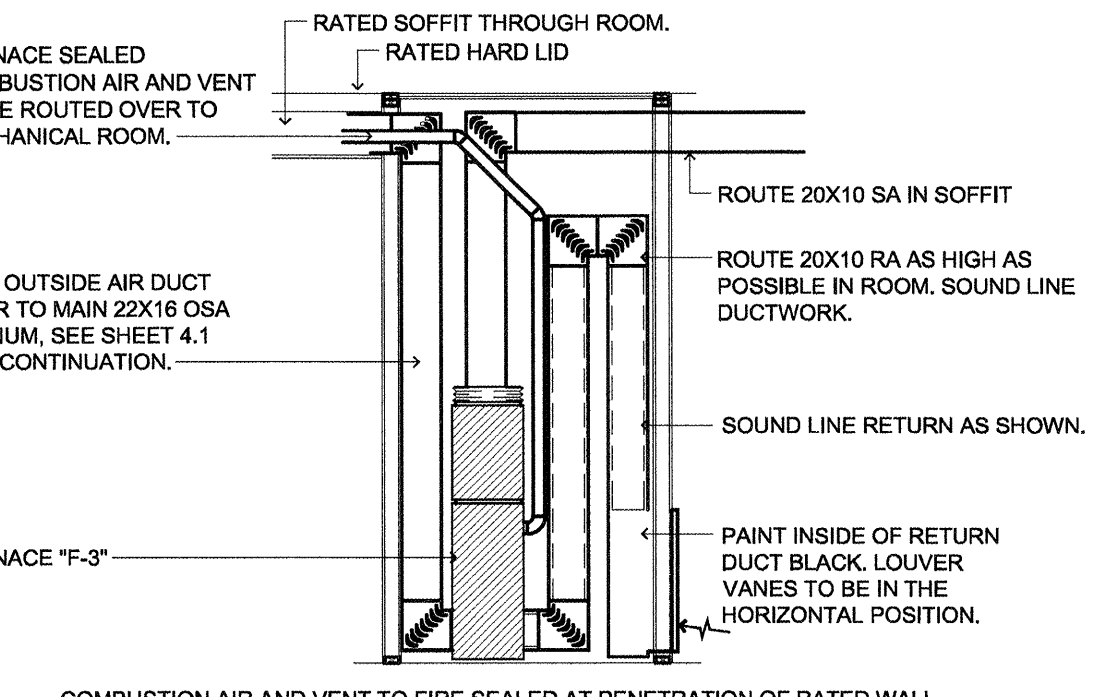


COLSON AND COLSON
GENERAL CONTRACTOR, INC.
2280 MCGILCHRIST STREET SE, SUITE 200
SALEM, OREGON, 97302
PHONE (503) 586-7401

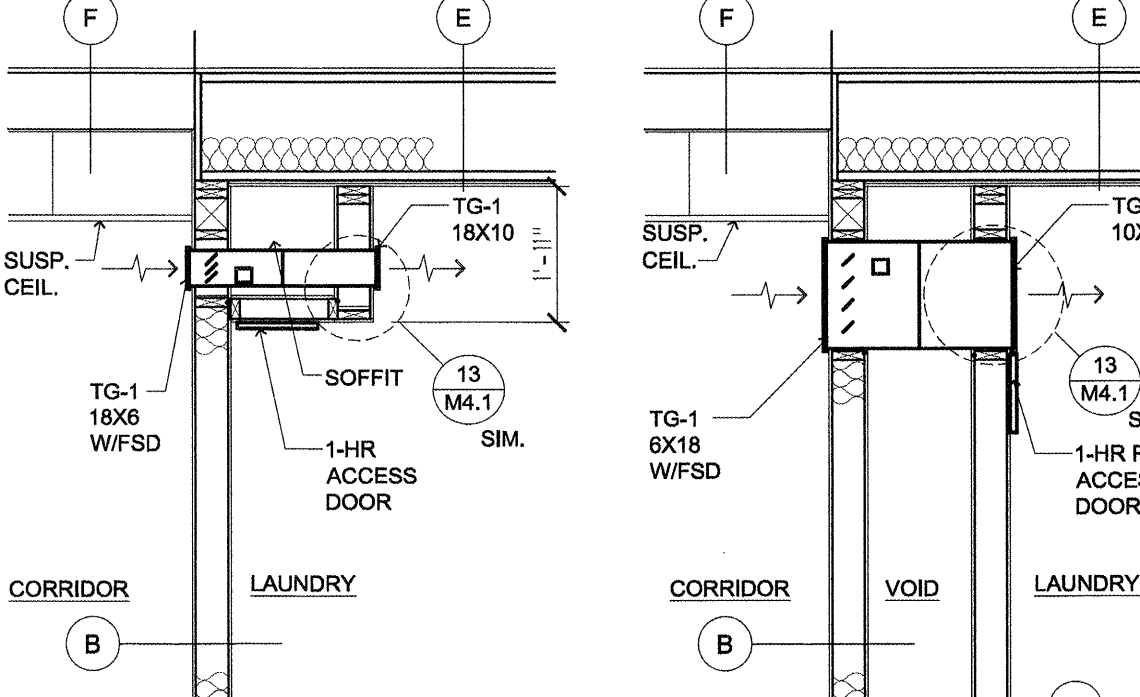
PORTLAND
RETIREMENT RESIDENCE
802 OCEAN AVE. PORTLAND, MAINE 04103



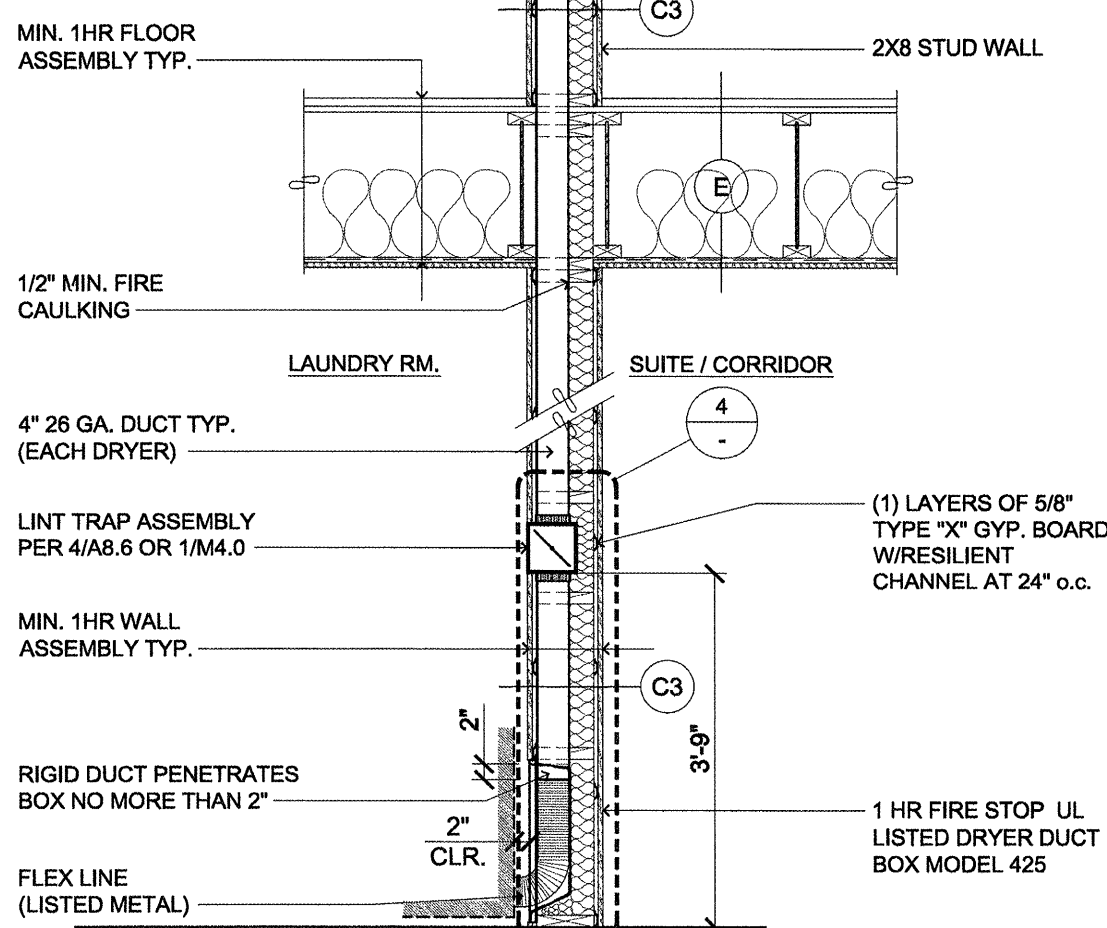
12 CEILING EXHAUST FAN
SCALE: N.T.S.



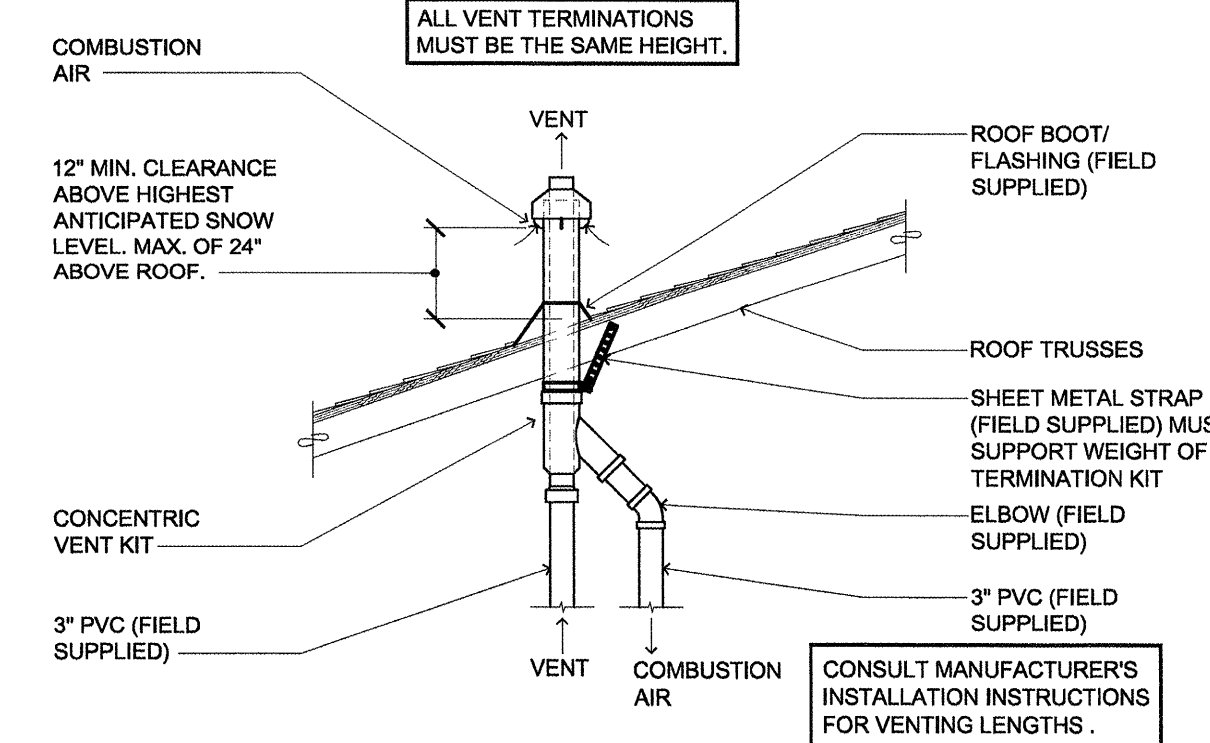
8 THEATER FURNACE SECTION (DUCT ROUTING)
SCALE: N.T.S.



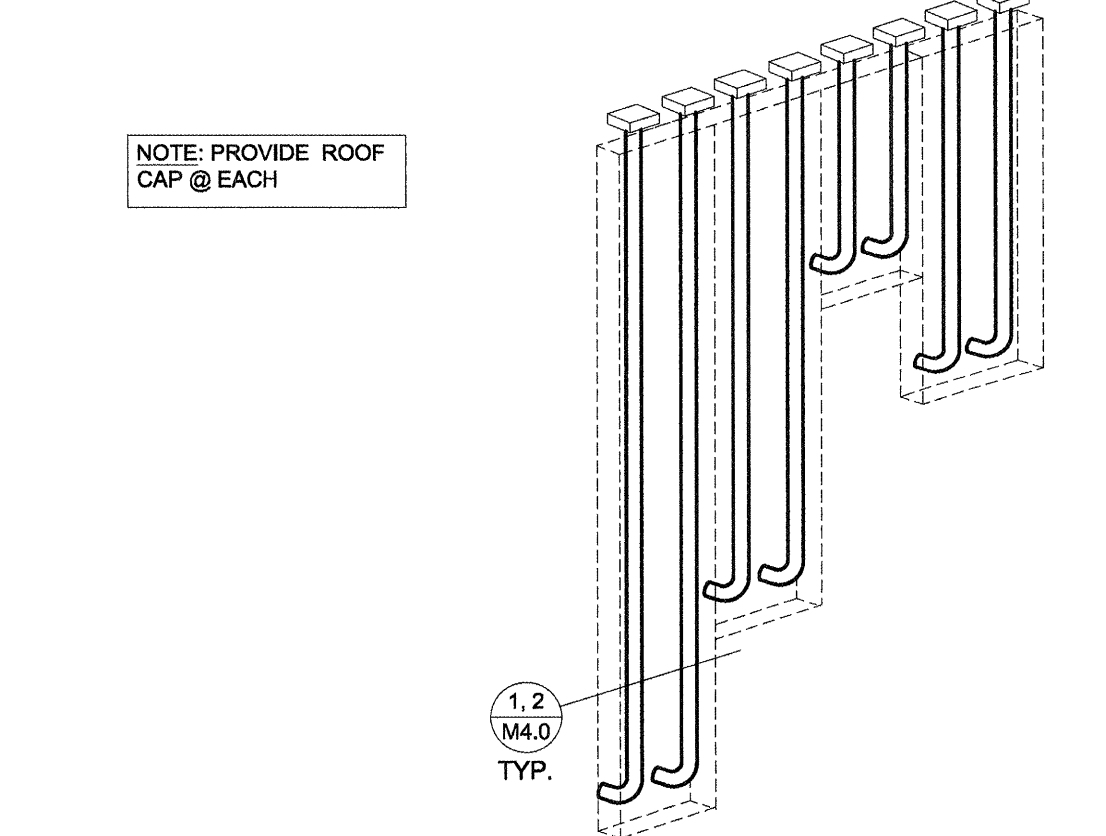
5 TRANSFER DUCT (LAUNDRY ROOM)
SCALE: 3/8" = 1'-0"



2 LAUNDRY VENTING
SCALE: 1/2" = 1'-0"



11 WATER HEATER/GAS FURNACE VENTING (VENT/COMBUSTION AIR CONCENTRIC VENT)
SCALE: N.T.S.

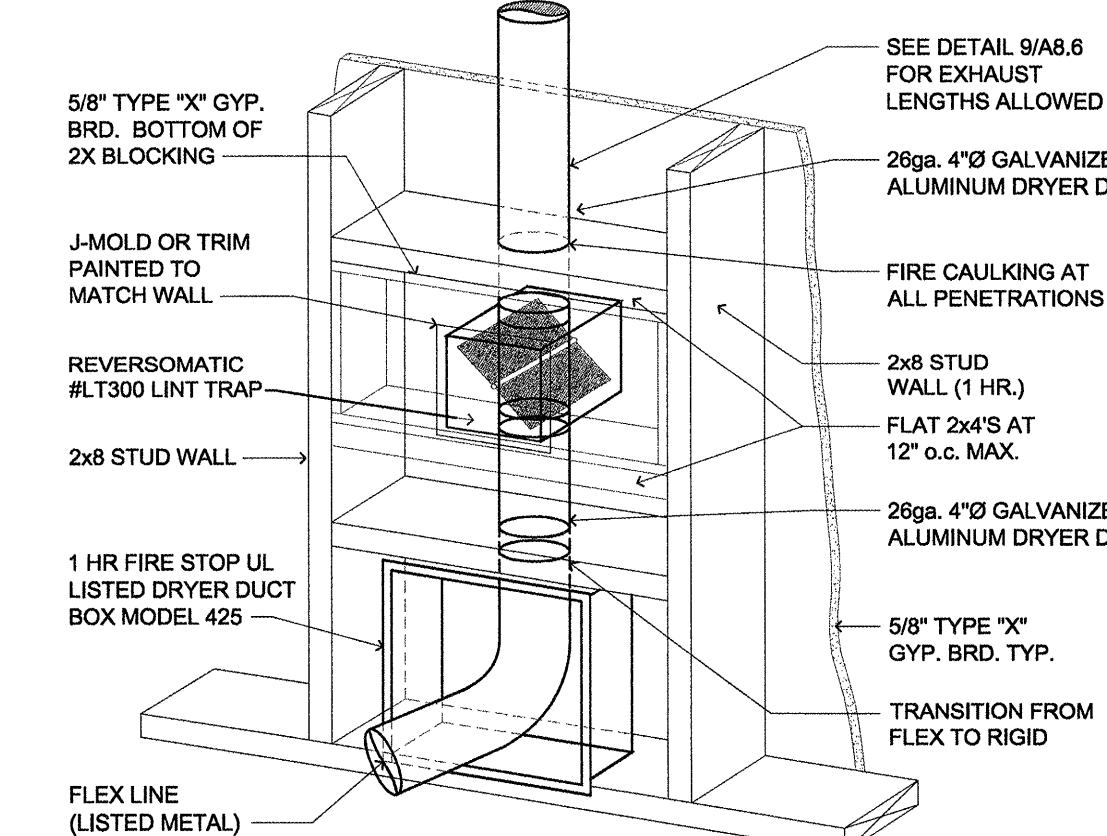


7 LAUNDRY VENTING (1 PER DRYER)
SCALE: N.T.S.

NUMBER OF 90° TURNS OR ELBOWS	TYPE OF VENT	VENT LENGTH CHART-MODEL DNCD450EG	VENT LENGTH CHART-MODEL DNCD450EG	VENT LENGTH CHART-MODEL GTDL210GD
		2-1/2" ANGLED HOODS	4" ANGLED OR LOUVERED HOODS	4" ROUND LONG VENTING
0	RIGID METAL	60 ft.	80 ft.	150 ft.
1	RIGID METAL	45 ft.	60 ft.	135 ft.
2	RIGID METAL	35 ft.	45 ft.	125 ft.
3	RIGID METAL	25 ft.	35 ft.	115 ft.
4	RIGID METAL	15 ft.	25 ft.	105 ft.

GENERAL ELECTRIC 7.0, 6.0, AND 5.8 CU. FT. CAPACITY GAS DRYERS

4 DRYER VENTING (EXHAUST LENGTHS)
SCALE: N.T.S.



1 DRYER VENTING
SCALE: 1" = 1'-0"

HVAC
DETAILS

DATE
8/28/2015

REVISED DATE
9/22/2015

SHEET
M4.0