

Plan Check # \_\_\_\_\_ Date: 8/20/2015 Reviewed By: John D.  
 Location: Portland, ME. Project: Portland, ME. Retirement Residence

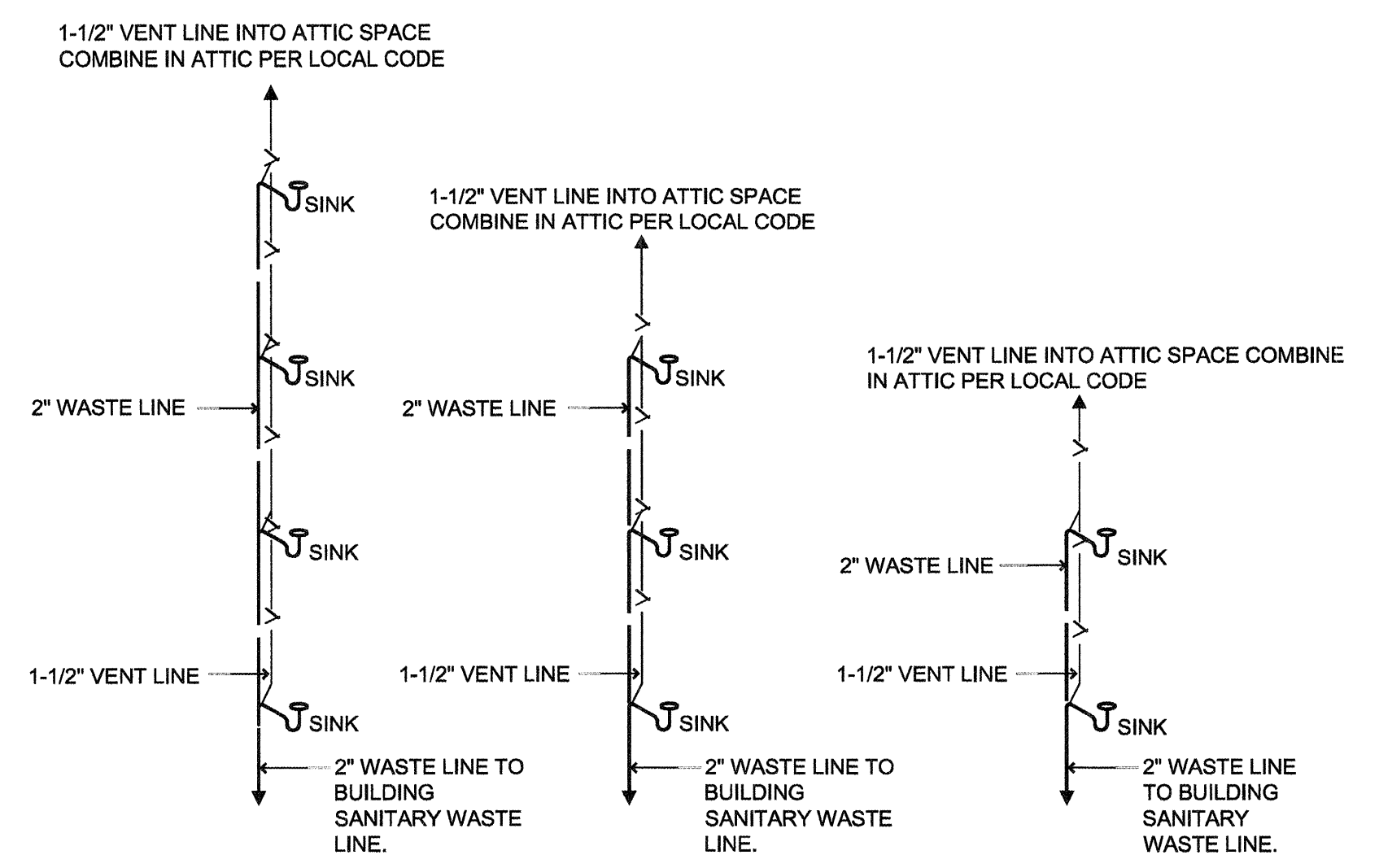
**COLD WATER SIZING**  
 Water Meter Size: 3  
 Total Fixture Units: 981 Total Equal GPM: 190  
 Total distance from water meter to most remote plumbing fixture: 900  
 Total rise for head loss ft. 42 0.43 18.06 PSI  
 PSI required for water closet/urinal (Table 604.3 flow pressure column PSI) 20 PSI  
 PSI Flow Thru water meter (chart A-1) 5 PSI  
 PSI flow loss through backflow preventer (RP = 12.0 PSI, DC = 12 PSI) 12 PSI  
 PSI flow loss thru water softener 10 PSI  
 Total system loss 69.06 PSI  
 MINIMUM PSI available @ job site 88  
 Total system loss in PSI 69.06  
 Remaining PSI available -1.06  
 Booster Pump PSI 50  
 Total remaining PSI available 48.94  
 PSI available: 48.94 / 900 total feet = 0.054 100 5.438 PSI/100 ft.  
 Use Line: 5 On Chart: Chart A-4

2003 Test indicates 68 PSI aken at west side of Ocean Ave - 350 FT from job site.

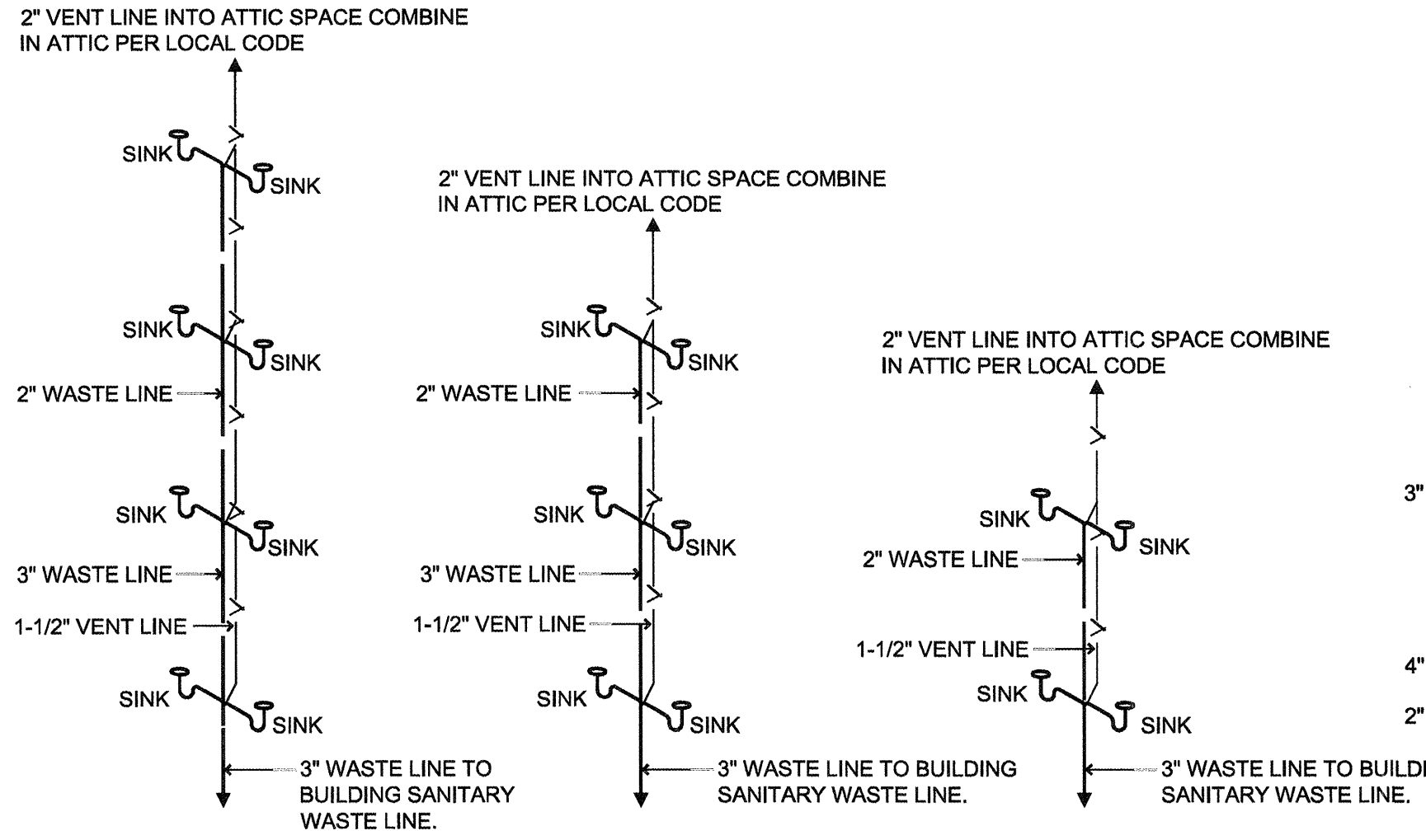
Pipe Size	Material	GPM	FT FU
4"	Copper	300	1,750
3"	Copper	200	1000
2 1/2"	Copper	150	550
2"	Copper	80	275
1 1/2"	Copper	38	80
1 1/4"	Copper	20	25
1"	Copper	12	8
3/4"	Copper	8	4
1/2"	Copper	2	1

Total Fixture Units: 475 Total Equal GPM: 115  
 Total distance from water meter to most remote plumbing fixture: 900  
 Total rise for head loss ft. 42 0.43 18.06 PSI  
 PSI required for largest pressure drop plumbing fixture (shower) 20 PSI  
 PSI Flow Thru water meter (Sensus 3" meter) 9 PSI  
 PSI flow loss through backflow preventer 12 PSI  
 PSI flow loss thru water softener 10 PSI  
 Total system loss 69.06 PSI  
 MINIMUM PSI available @ job site 88  
 Total system loss in PSI 69.06  
 Remaining PSI available -1.06  
 Booster Pump PSI 50  
 Total remaining PSI available 48.94  
 PSI available: 48.94 / 900 total feet = 0.054 100 5.438 PSI/100 ft.  
 Use Line: 5 On Chart: Chart A-4

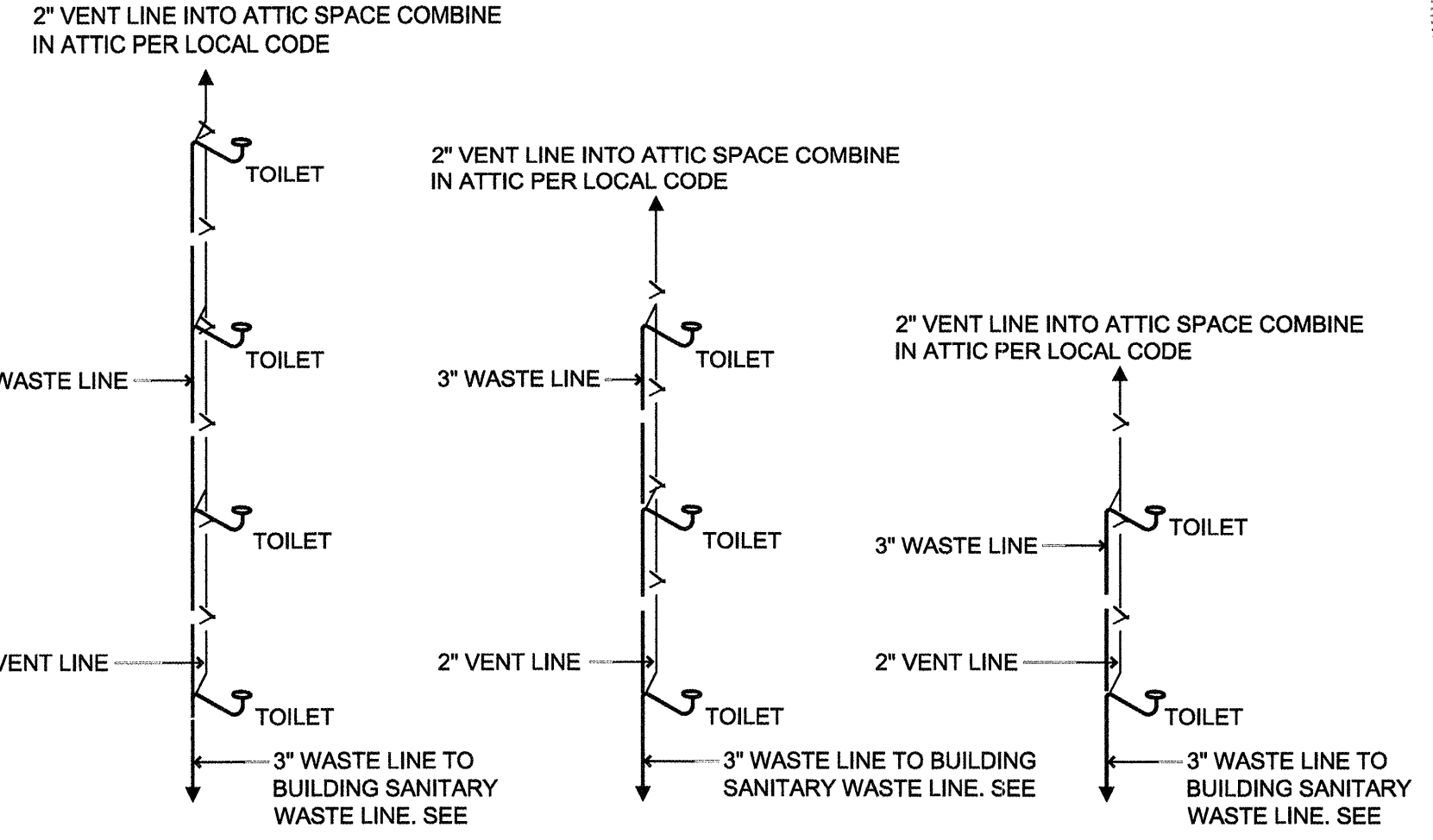
Pipe Size	Material	GPM	FT FU
4"	Copper	300	1,750
3"	Copper	200	1000
2 1/2"	Copper	150	550
2"	Copper	80	275
1 1/2"	Copper	38	80
1 1/4"	Copper	20	25
1"	Copper	12	8
3/4"	Copper	8	4
1/2"	Copper	2	1



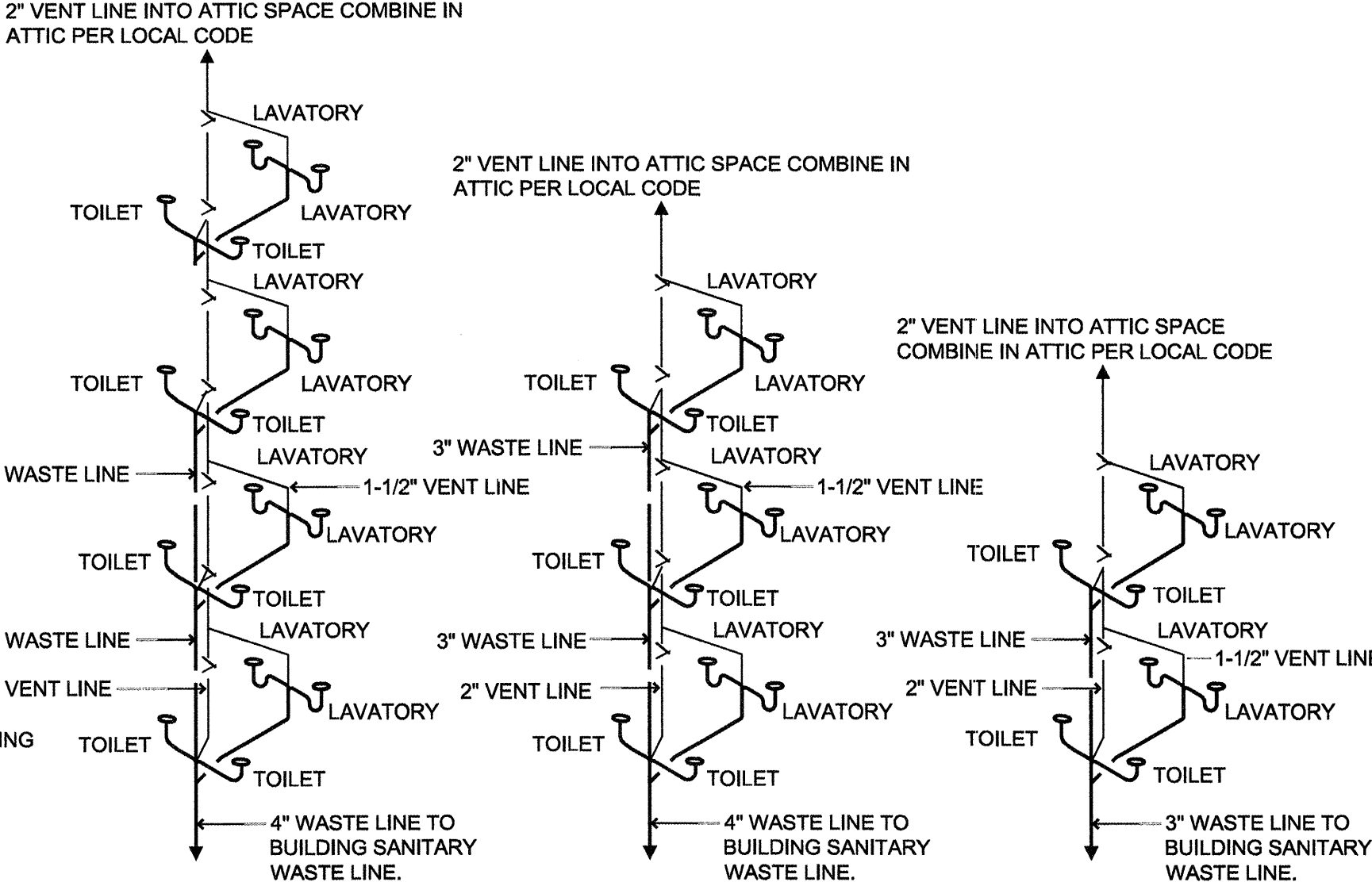
**6 WASTE AND VENT RISER**  
 SCALE: N.T.S.



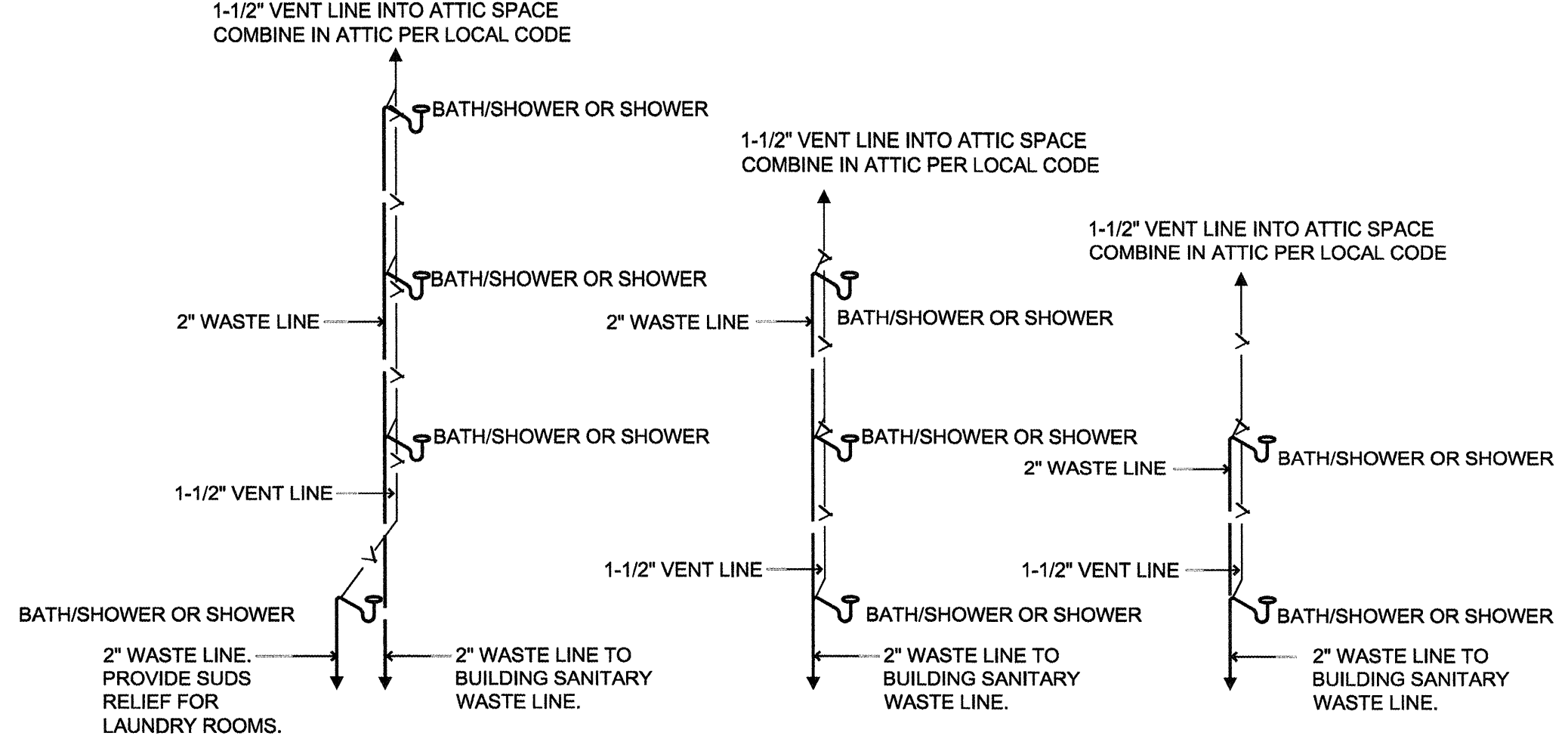
**5 WASTE AND VENT RISER**  
 SCALE: N.T.S.



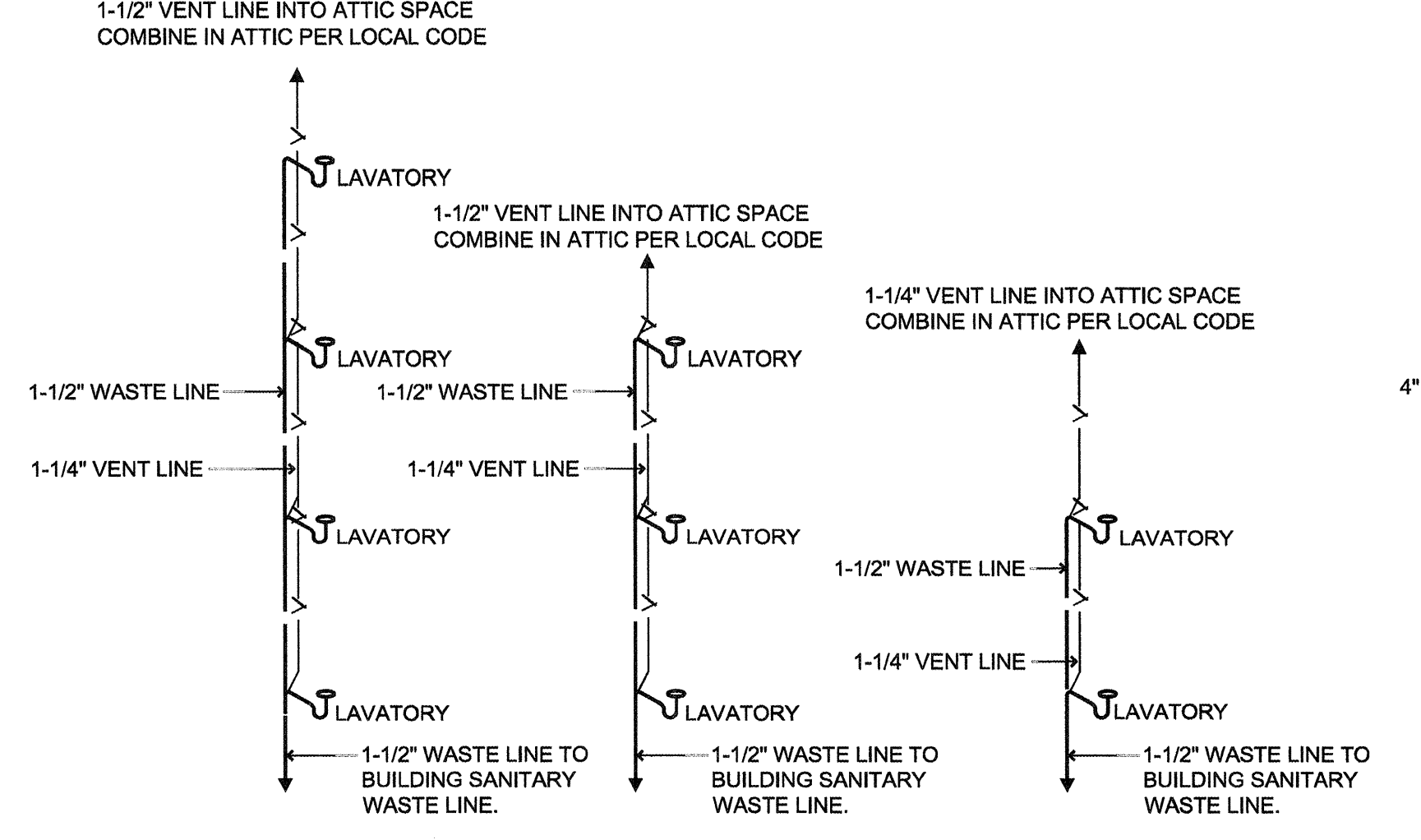
**3 WASTE AND VENT RISER**  
 SCALE: N.T.S.



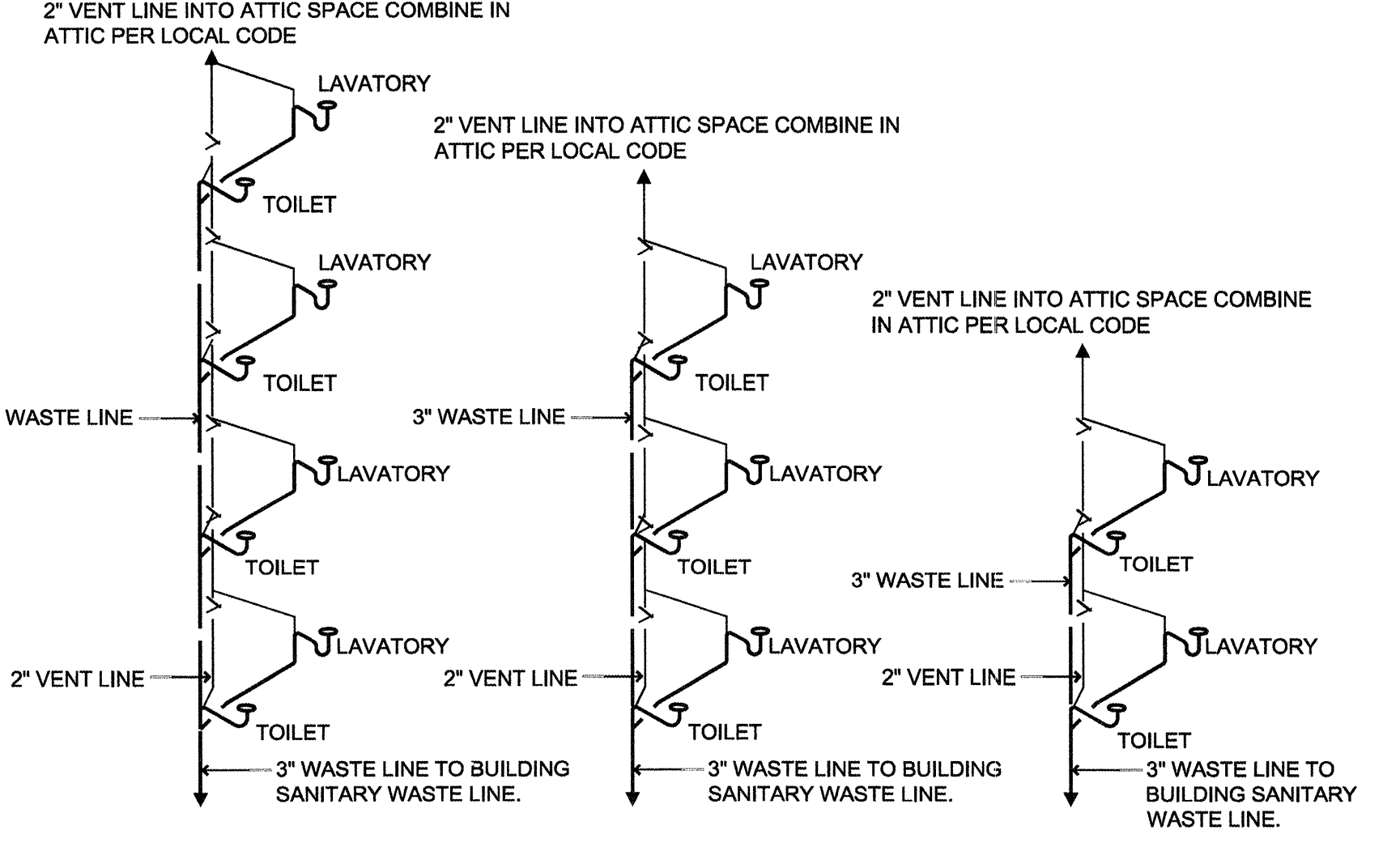
**2 WASTE AND VENT RISER**  
 SCALE: N.T.S.



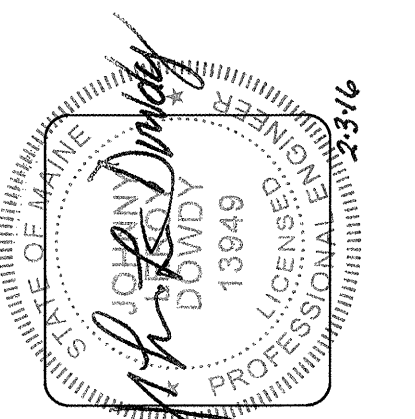
**7 WASTE AND VENT RISER**  
 SCALE: N.T.S.



**4 WASTE AND VENT RISER**  
 SCALE: N.T.S.



**1 WASTE AND VENT RISER**  
 SCALE: N.T.S.



**lenty architecture**  
 3550 Water Court SE, Suite 200  
 Salem, Oregon, 97302  
 Phone (503) 586-7401

**COLSON AND COLSON**  
 GENERAL CONTRACTOR, INC.  
 2260 MCGILCHRIST STREET SE, SUITE 200  
 SALEM, OREGON, 97302  
 PHONE (503) 586-7401

**PORTLAND RETIREMENT RESIDENCE**  
 802 OCEAN AVE. PORTLAND, MAINE 04103

**PLUMBING RISERS**

DATE: 8/28/2015  
 REVISED DATE: 9/22/2015

SHEET M2.5

PLUMBING

Date: 8/20/2015 12:24:58 PM Location: 4411 1182038 - 441182431.bddw Map: 1182038 - 441182431.bddw Map: 1182038 - 441182431.bddw