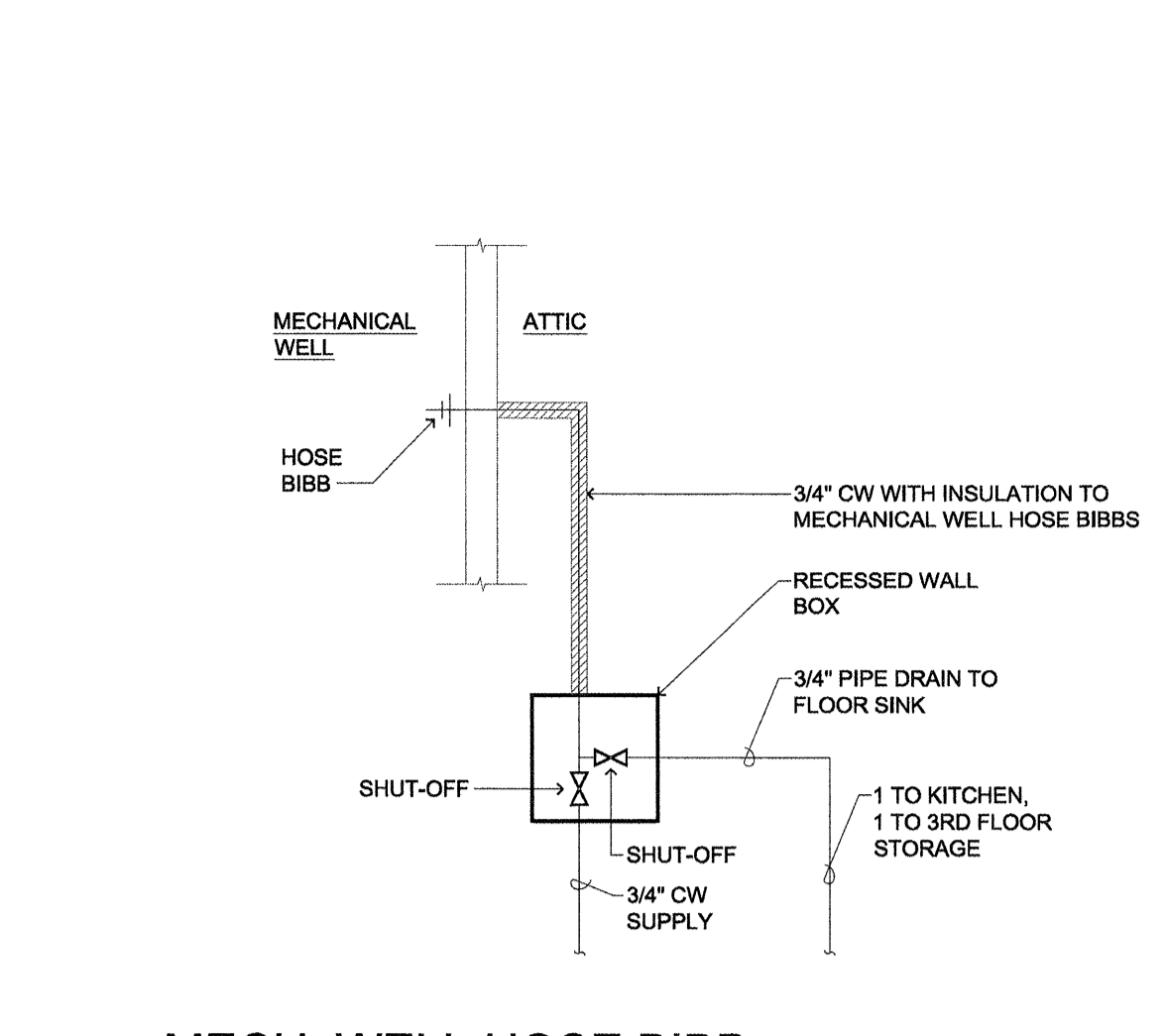
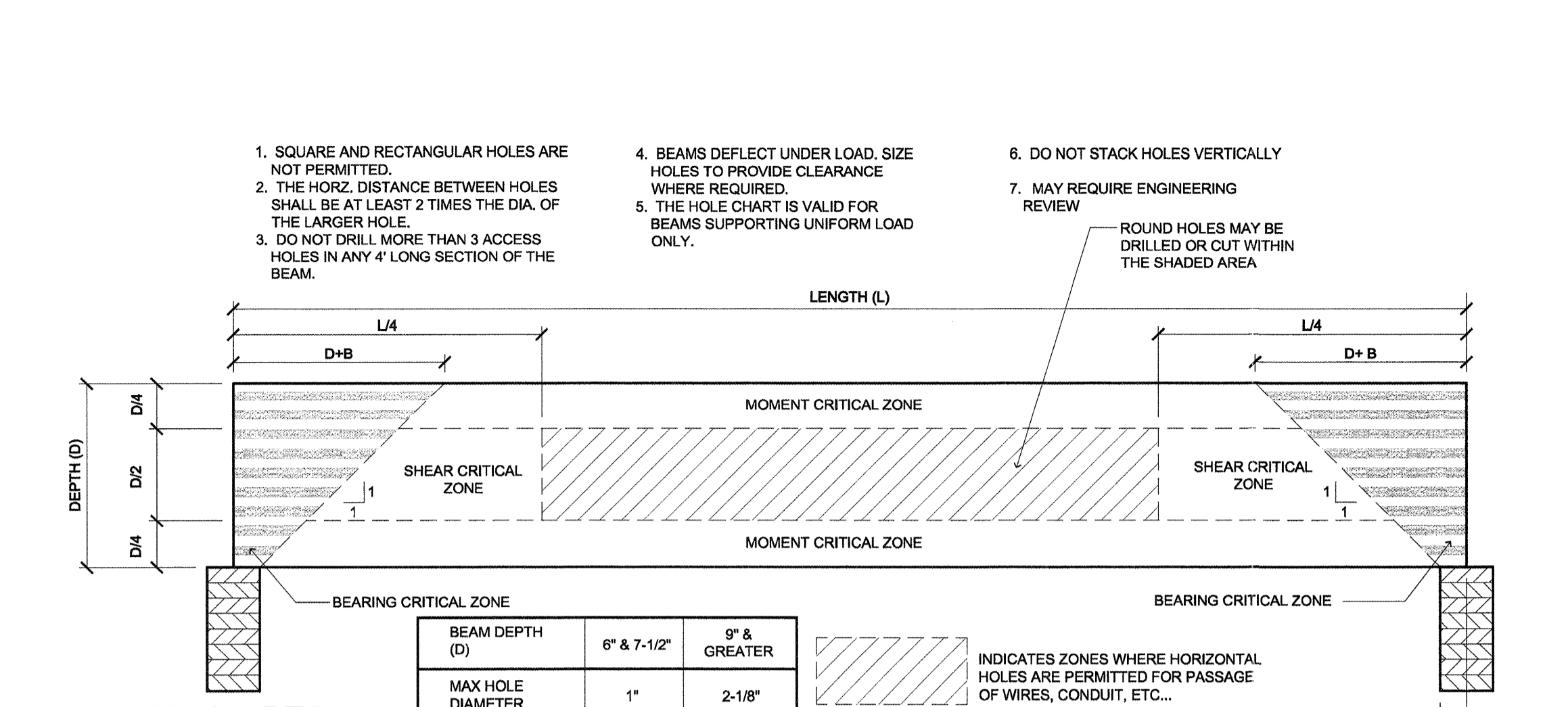


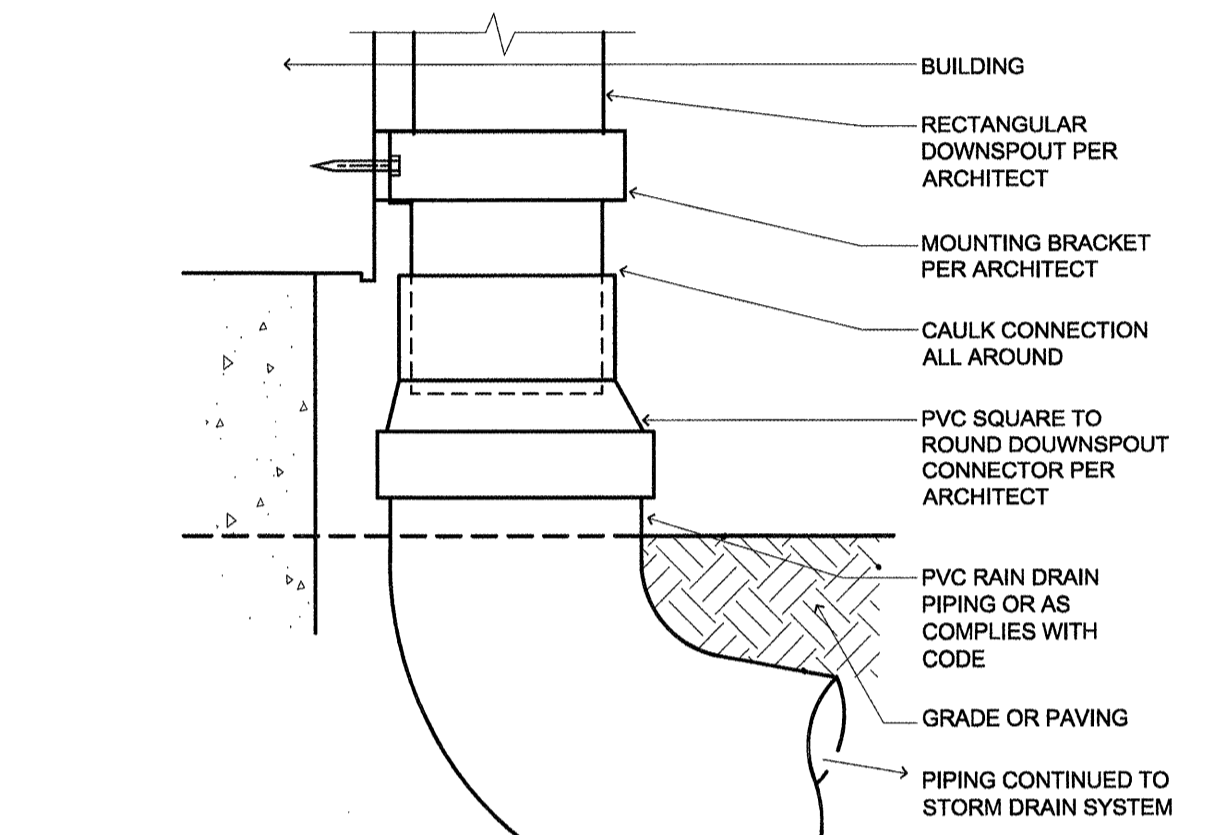
**15 SECTION AT SUMP PIT (SUMP PUMP)**  
SCALE: N.T.S.



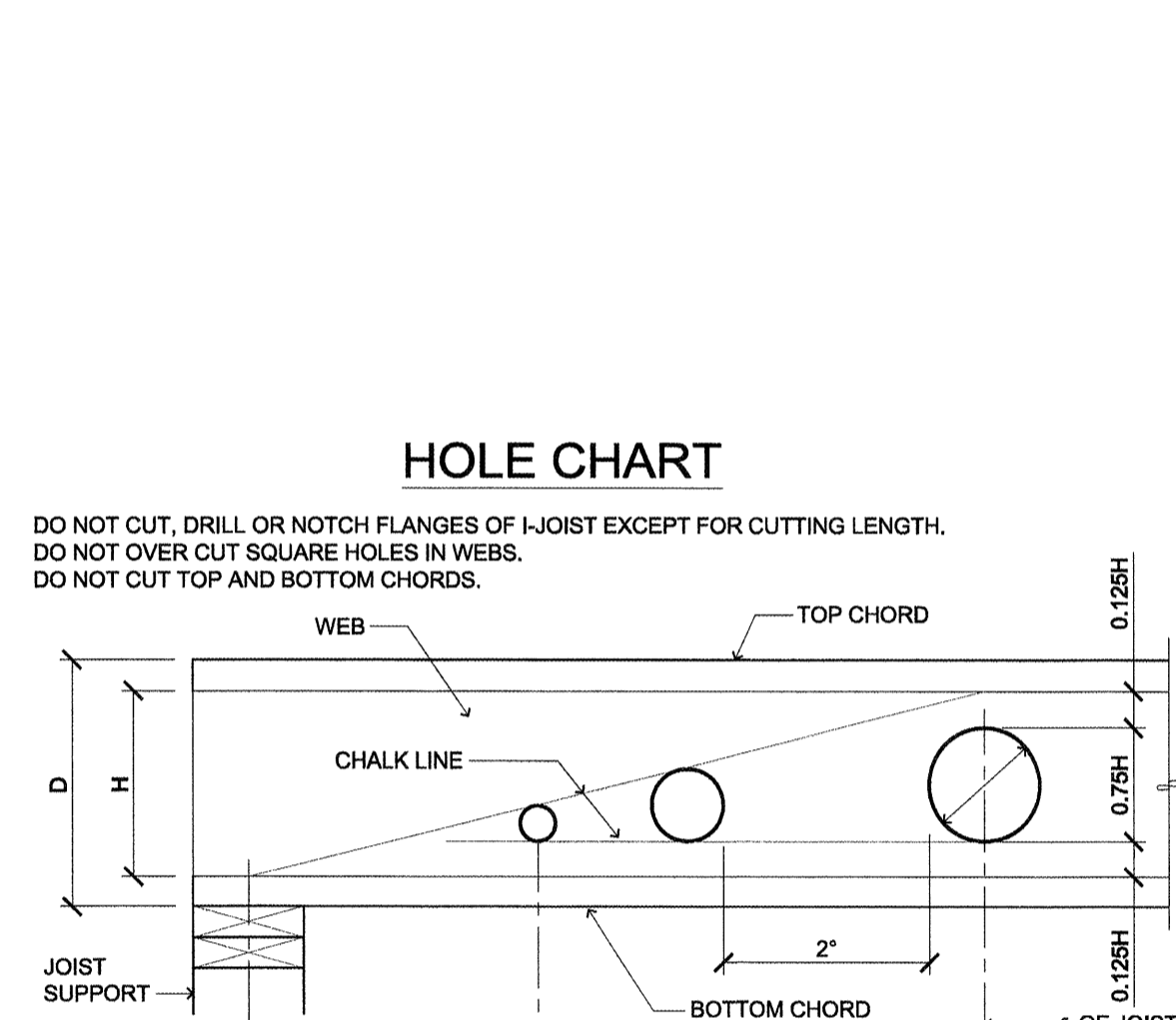
**11 MECH. WELL HOSE BIBB (FREEZE PROTECTION)**  
SCALE: N.T.S.



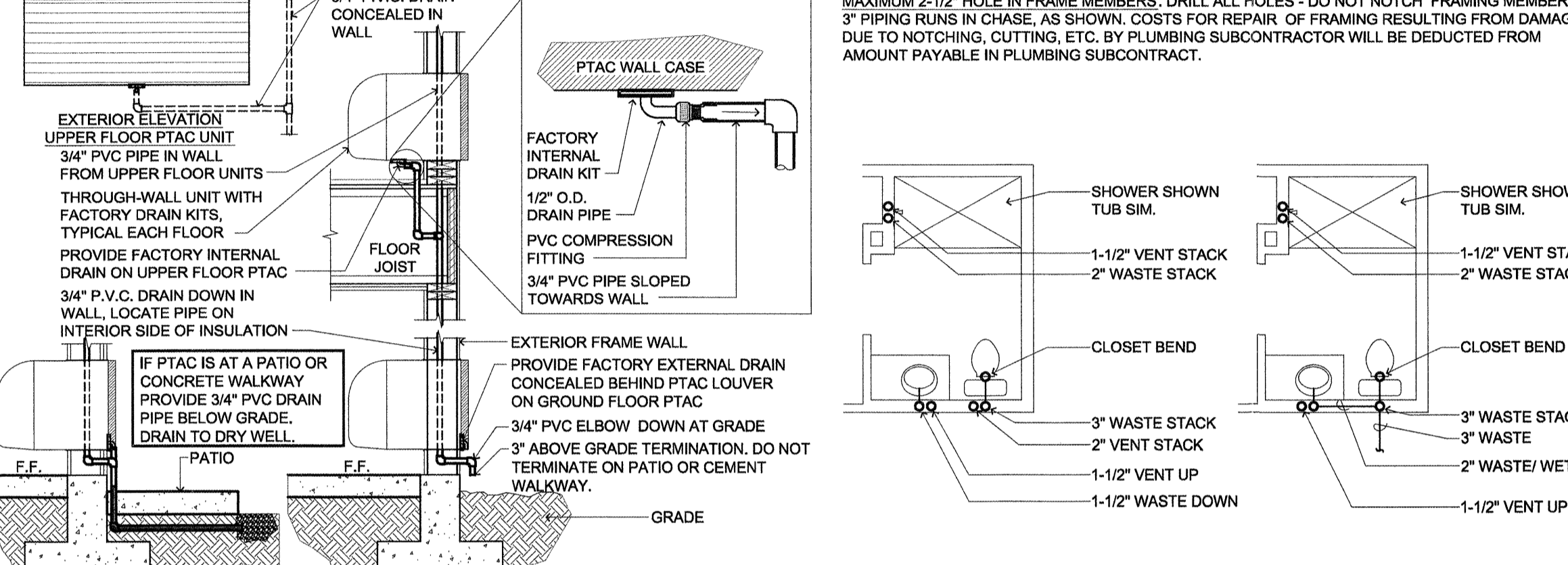
**8 GLU-LAM BEAM (NOTCHES AND HOLES)**  
SCALE: 1" = 1'-0"



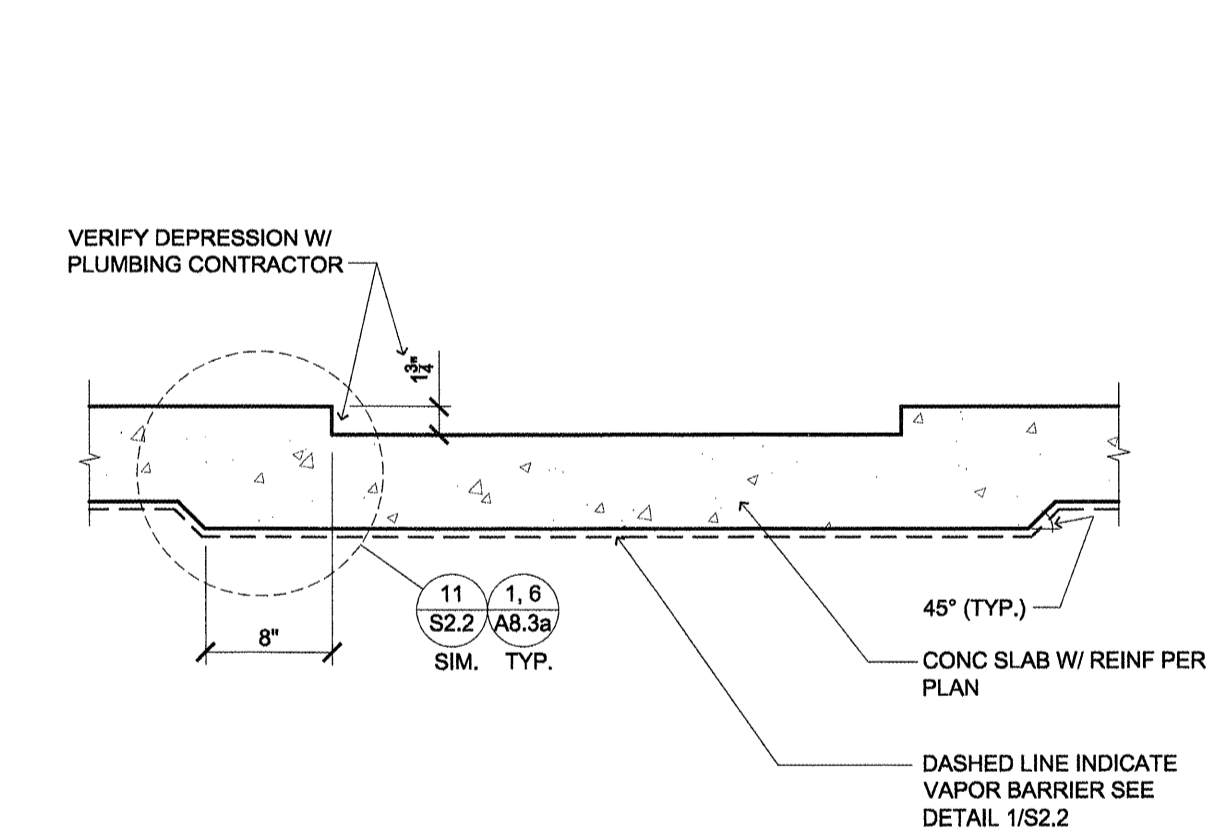
**14 INSTALLATION DETAIL (DOWNSPOUT CONNECTION)**  
SCALE: N.T.S.



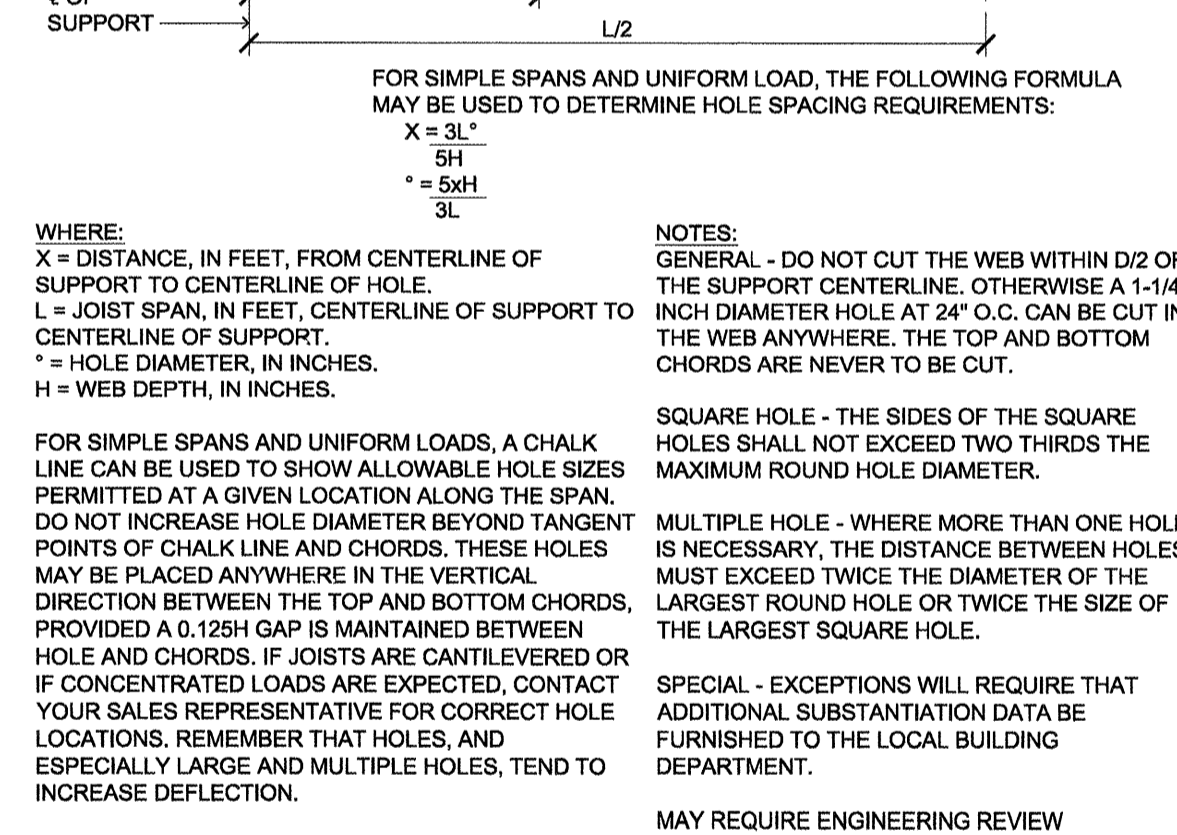
**7 PLUMBING DETAIL (PTAC CONDENSATE DRAIN)**  
SCALE: N.T.S.



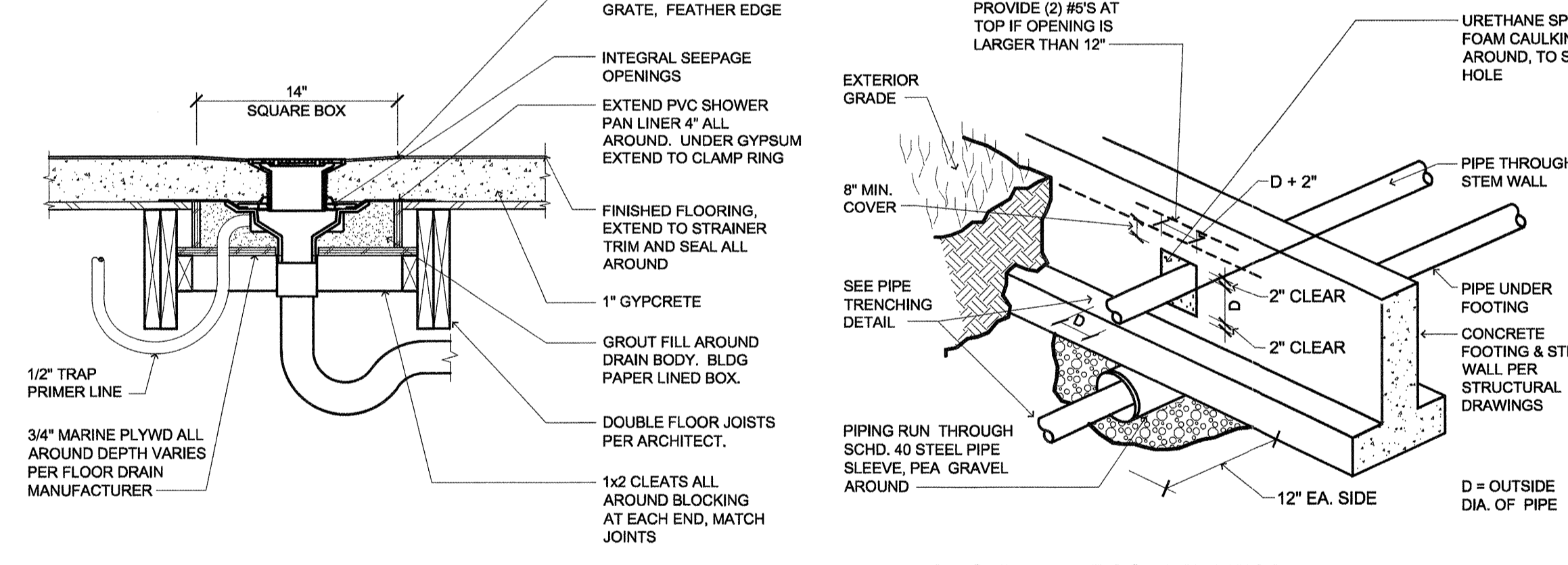
**7 PLUMBING DETAIL (PTAC CONDENSATE DRAIN)**  
SCALE: N.T.S.



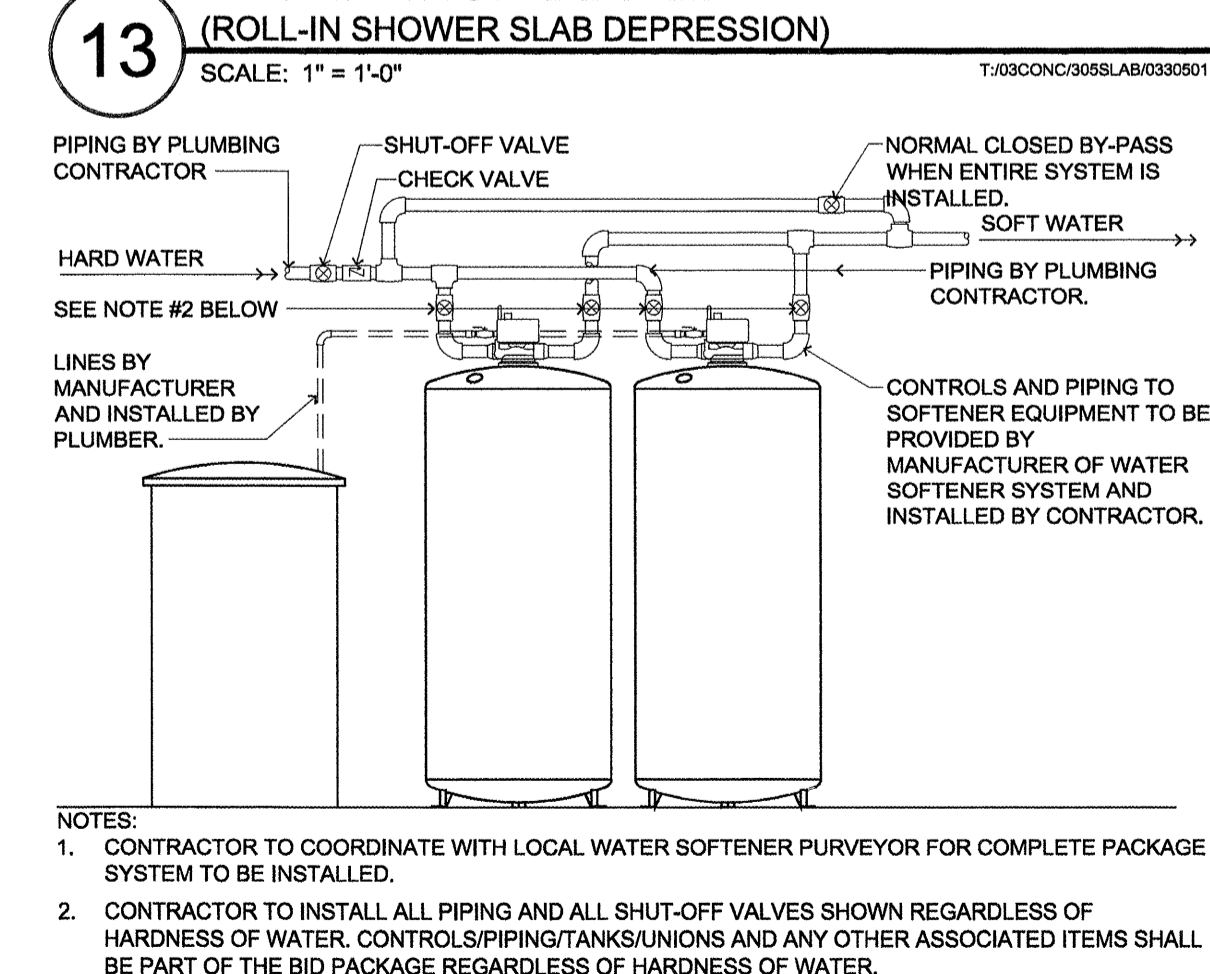
**13 FOUNDATION DETAIL (ROLL-IN SHOWER SLAB DEPRESSION)**  
SCALE: 1" = 1'-0"



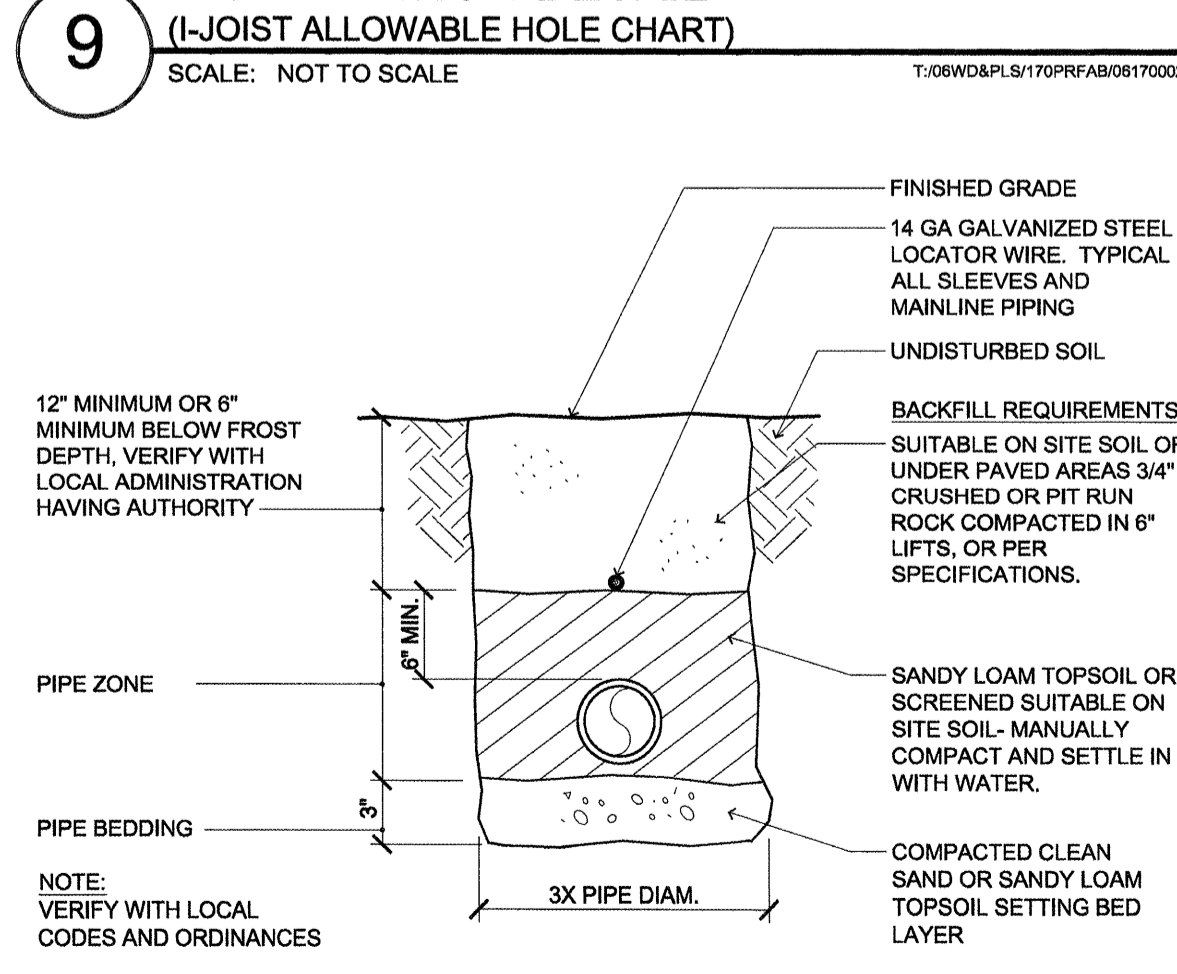
**9 INSTALLATION DETAIL (I-JOIST ALLOWABLE HOLE CHART)**  
SCALE: NOT TO SCALE



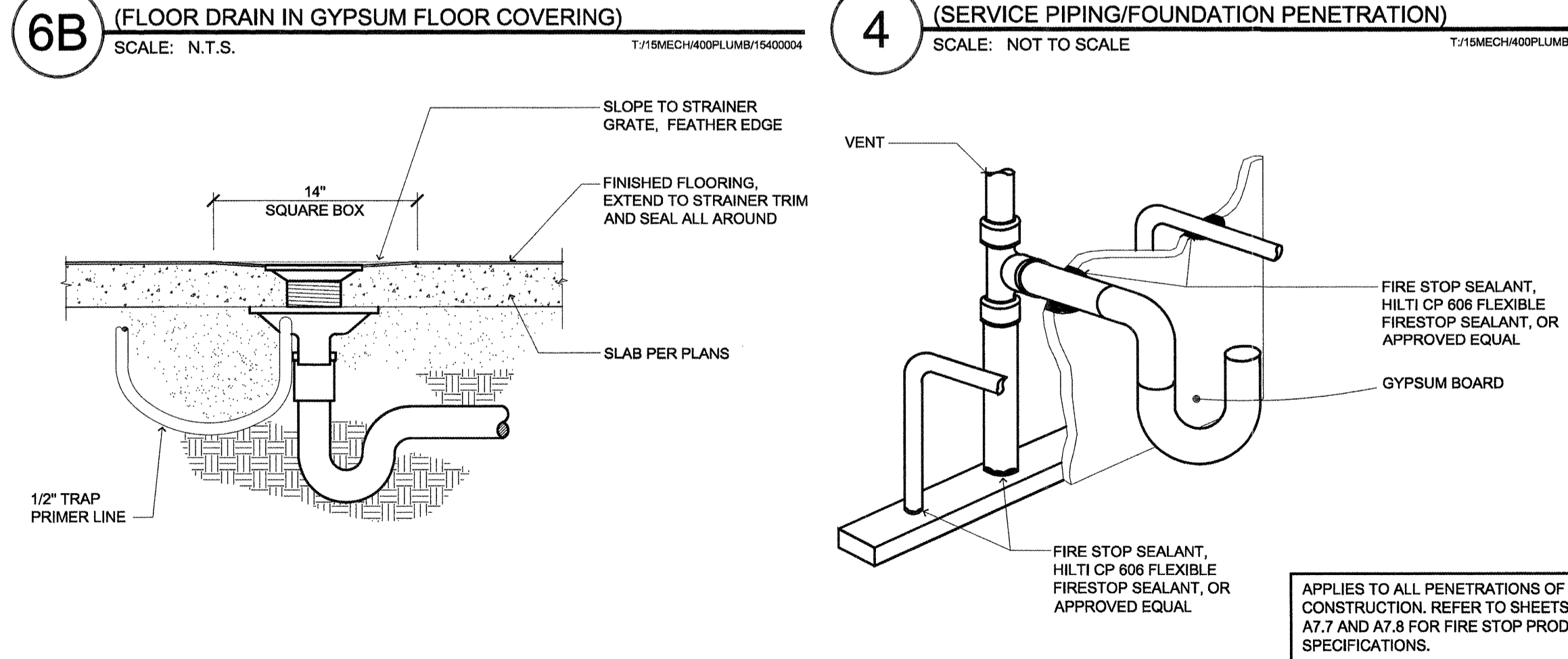
**6B INSTALLATION DETAIL (FLOOR DRAIN IN GYPSUM FLOOR COVERING)**  
SCALE: N.T.S.



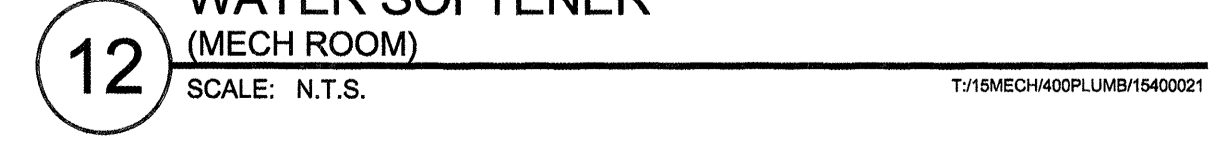
**12 WATER SOFTENER (MECH ROOM)**  
SCALE: N.T.S.



**10 PIPE TRENCH INSTALLATION**  
SCALE: NOT TO SCALE



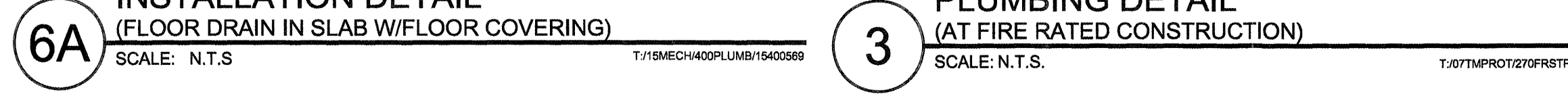
**6A INSTALLATION DETAIL (FLOOR DRAIN IN SLAB W/FLOOR COVERING)**  
SCALE: N.T.S.



**1 TUB AND SHOWER DRAIN DETAIL**  
SCALE: N.T.S.



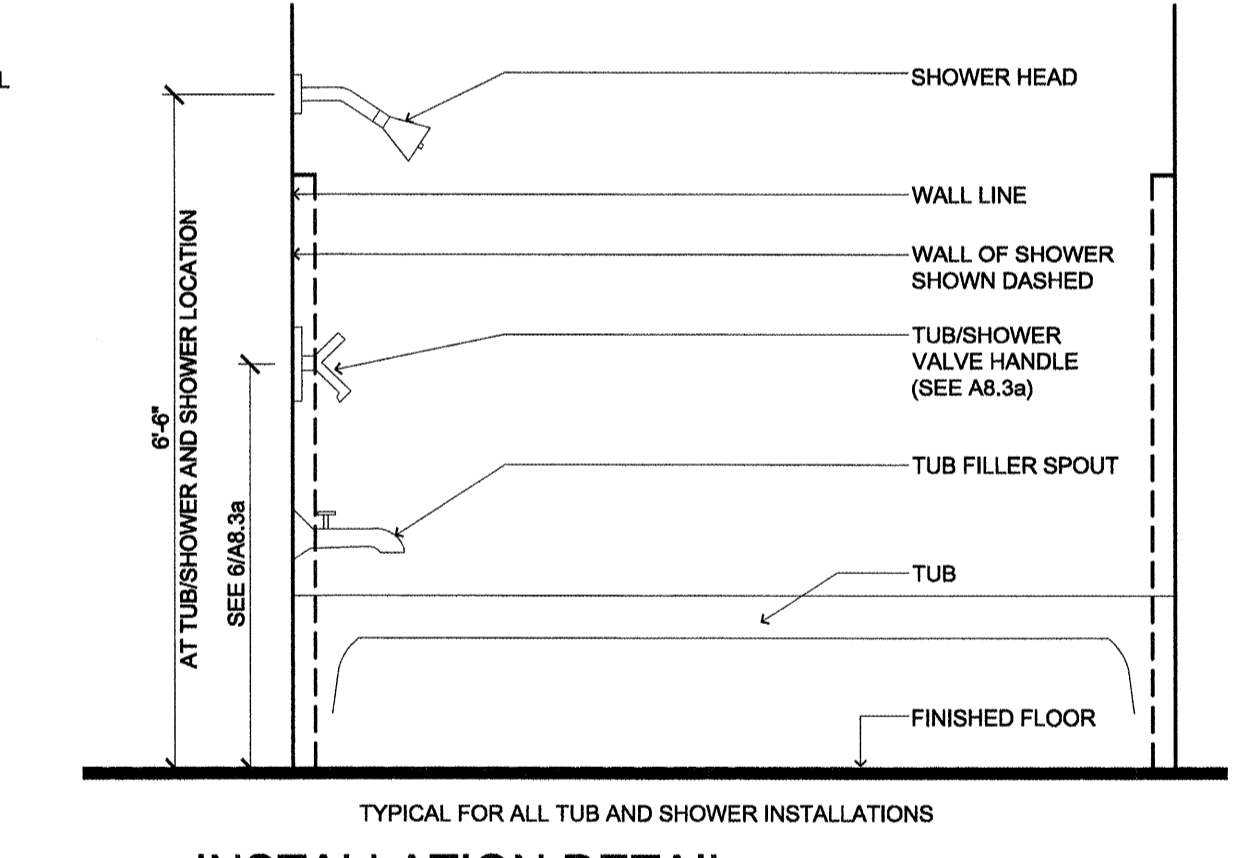
**4 INSTALLATION DETAIL (SERVICE PIPING/FOUNDATION PENETRATION)**  
SCALE: NOT TO SCALE



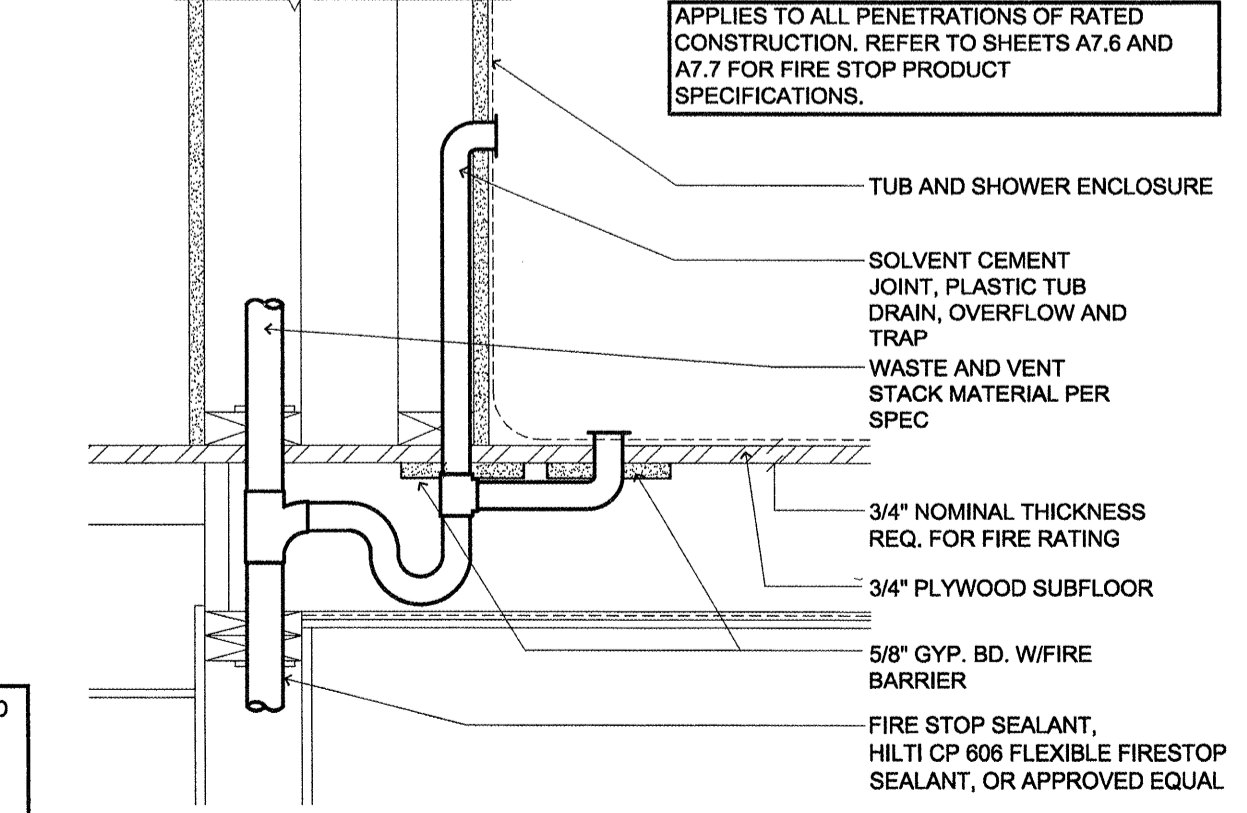
**2 INSTALLATION DETAIL (TUB/SHOWER VALVE)**  
SCALE: N.T.S.

- ### GENERAL NOTES
- REFER TO ARCHITECTURAL FLOOR PLANS FOR SPECIFIC FIXTURE LAYOUT.
  - PIPE ISOLATORS AND HANGERS 1 1/4" AND LESS: LSP SPECIALTY PRODUCTS FLEXI-FIN SYSTEM. INSTALL AT ALL STUD OR JOIST PENETRATIONS.
  - PIPE INSTALLATION: SUPPORT AND INSTALLATION DETAILS PER UPC/IPC. INSTALL PIPING PARALLEL WITH BUILDING LINES. INSTALL INTERIOR WATER PIPING DRAIN AT LOW POINTS WITH PLUGGED TEES. TRENCH AND BACKFILL FOR EXTERIOR PIPING AT DEPTHS AND GRADE WITH GRAVEL BEDDING PER LOCAL ORDINANCES AND PER DETAIL ON DRAWING. KEEP OPENING PIPING CLOSED DURING INSTALLATION. PROVIDE FOR EXPANSION. LOCATE OFFSETS AND SPRING PIECES WHERE NECESSARY. ALL INSTALLATION PER IBC STANDARDS.
  - WATER HAMMER ARRESTERS: J.R. SMITH 5000 SERIES. ONE ON EACH HOT AND COLD WATER SUPPLY MAINS, KITCHEN, AND LAUNDRY. SIZE AND INSTALL PER MANUFACTURERS RECOMMENDATION.
  - VALVES: INSTALL BALL VALVES AT LOCATIONS INDICATED ON PLUMBING SCHEMATIC. VALVES BELOW GRADE TO BE INSTALLED IN CAST IRON OR REINFORCED CONCRETE BOXES WITH LABELED COVERS.
  - UNIONS: INSTALL UNIONS OR APPROVED DISCONNECTS AT ALL EQUIPMENT CONNECTIONS.
  - KITCHEN FIXTURES: PLUMBING CONTRACTOR TO MAKE CONNECTIONS TO KITCHEN EQUIPMENT. FURNISH ALL TRAPS AND STOPS REQUIRED. INSTALL ALL VALVES, FITTINGS, AND CONTROLS FURNISHED WITH FOOD SERVICE EQUIPMENT AS LOOSE ITEMS. PROVIDE INTERCONNECTING PIPING REQUIRED TO COMPLETE CONNECTIONS TO WASTE, VENT AND WATER SYSTEMS. VERIFY EXTENT CONNECTION REQUIREMENTS AND FITTINGS WITH KITCHEN SUPPLIER. ALL EXPOSED PIPING TO BE CHROME PLATED. TO KITCHEN EQUIPMENT SCHEDULE ON ARCHITECTURAL DRAWINGS.
  - OTHER MATERIALS: OTHER MATERIALS REQUIRED FOR COMPLETE INSTALLATION TO BE SELECTED BY CONTRACTOR. COMPLY WITH MINIMUM CODE REQUIREMENTS.
  - PLUMBING CONTRACTOR IS BOUND BY GENERAL AND SUPPLEMENTARY CONDITIONS AND DIVISION 1.
  - WASTE AND VENT PIPING INSTALLATION: FLASH AND COUNTERFLASH VENTS.
  - PLUMBING FIXTURES: EACH FIXTURE TO HAVE STOP VALVES. ALL TRIM TO BE CHROME PLATED. ESCUTCHEON PLATES TO BE PROVIDED FOR EXPOSED LINES THROUGH WALLS AND FLOORS. INSTALL WALL CARRIERS AS REQUIRED FOR WALL HUNG FIXTURES. EXPOSED TRAPS TO BE C.P. 17 GAUGE BRASS.
  - ROOF DRAINAGE: INSTALL ROOF DRAINAGE SYSTEM AS SHOWN ON ARCHITECTURAL AND MECHANICAL DRAWINGS.
  - PIPE ROOF PENETRATION FLASHING: FLAT ROOF - SINGLE MEMBRANE TYPE: ALL PIPING AND CONDUIT ROOF PENETRATIONS TO BE WEATHERPROOF W/ BOOT TYPE, FLANGED, SEALING SYSTEM. NEOPRENE SEALING PIPE CONTACT INSTALL PER ROOFING MANUFACTURER AND BOOT MANUFACTURER'S INSTRUCTIONS. PORTALS PLUS INC., BENSENVILLE, IL, OR APPROVED EQUAL.
  - PIPE ROOF PENETRATION FLASHING: FLAT ROOF - BUILT-UP ROOF OR MODIFIED BITUMEN ROOF SYSTEM: ALL PIPING AND CONDUIT ROOF PENETRATIONS TO BE WEATHERPROOF WITH MOLDED RESIN TYPE, MORTAR AND ROOF CEMENT "FITCH-POCKET" TYPE SEALANT SYSTEM. INSTALL PER MANUFACTURER'S INSTRUCTIONS. MILLENNIUM ADHESIVE CO. "LOCKN POCKET".
  - PIPE ROOF PENETRATION FLASHING: PITCHED ROOF - SHINGLE, SHAKE OR TILE: ALL PIPING AND CONDUIT ROOF PENETRATIONS TO BE WEATHERPROOF WITH BOOT TYPE, FLANGED, SEALANT SYSTEM, WITH TRIPLE "O" RING PIPE CONTACT SEAL. INSTALL PER MANUFACTURER'S INSTRUCTIONS. LSP SPECIALTY PRODUCTS P-4030 TO P-4033.
  - SEE HVAC DRAWINGS FOR MECHANICAL EQUIPMENT LAYOUT. MAINTAIN REQUIRED SEPARATION OF PLUMBING VENTS FROM HVAC INTAKE OPENINGS.
  - REFER TO DETAIL 8/M2.1, 9/M2.1 FOR ALLOWABLE PENETRATIONS IN WOOD SUPPORTS.
  - PROVIDE TRAP PRIMERS AT ALL PUBLIC RESTROOMS, LAUNDRY ROOMS, & MECH. ROOMS.

**5 PIPING PLAN DETAIL**  
SCALE: N.T.S.



**2 INSTALLATION DETAIL (TUB/SHOWER VALVE)**  
SCALE: N.T.S.



**4 INSTALLATION DETAIL (SERVICE PIPING/FOUNDATION PENETRATION)**  
SCALE: NOT TO SCALE

**1 TUB AND SHOWER DRAIN DETAIL**  
SCALE: N.T.S.



**lenity architecture**  
3550 NE 10th St, Suite 200  
SALEM, OREGON 97302  
PHONE (503) 586-7401

**COLSON AND COLSON GENERAL CONTRACTOR, INC.**  
2280 MCGILCHRIST STREET SE, SUITE 200  
SALEM, OREGON, 97302  
PHONE (503) 586-7401

**PORTLAND RETIREMENT RESIDENCE**  
802 OCEAN AVE. PORTLAND, MAINE 04103

**PLUMBING DETAILS**

DATE: 8/28/2015  
 REVISED DATE: 9/22/2015

SHEET M2.1

PLUMBING

NOTE: PENETRATIONS OF AREA SEPERATION WALLS SHALL BE PROTECTED WITH THROUGH-PENETRATION FIRE STOPS AND MEMBRANE PENETRATION FIRE STOPS