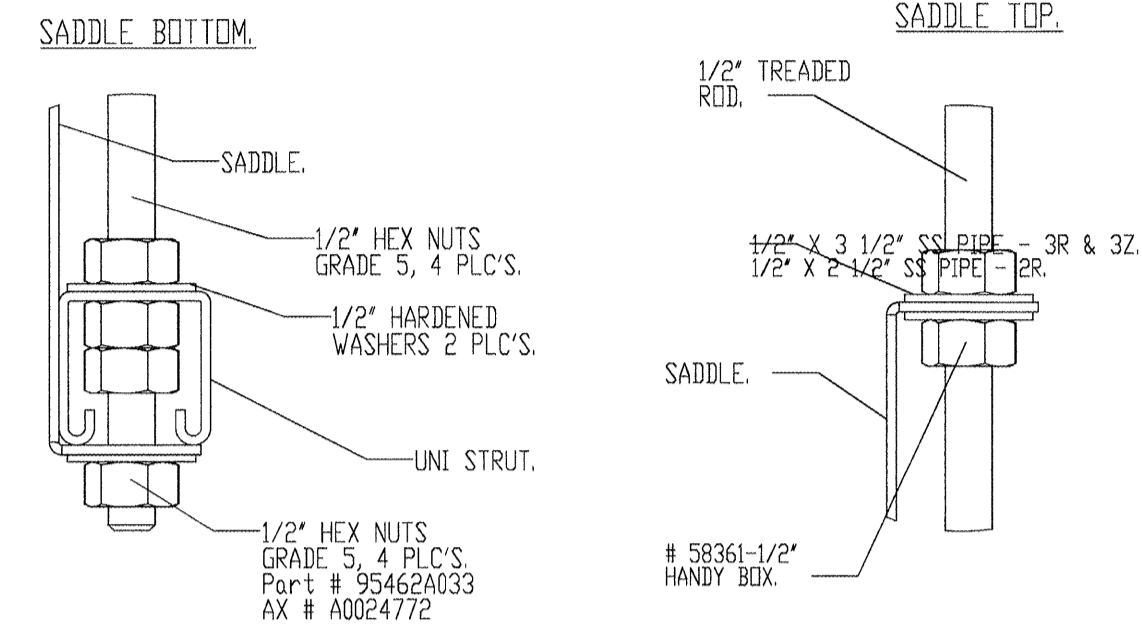
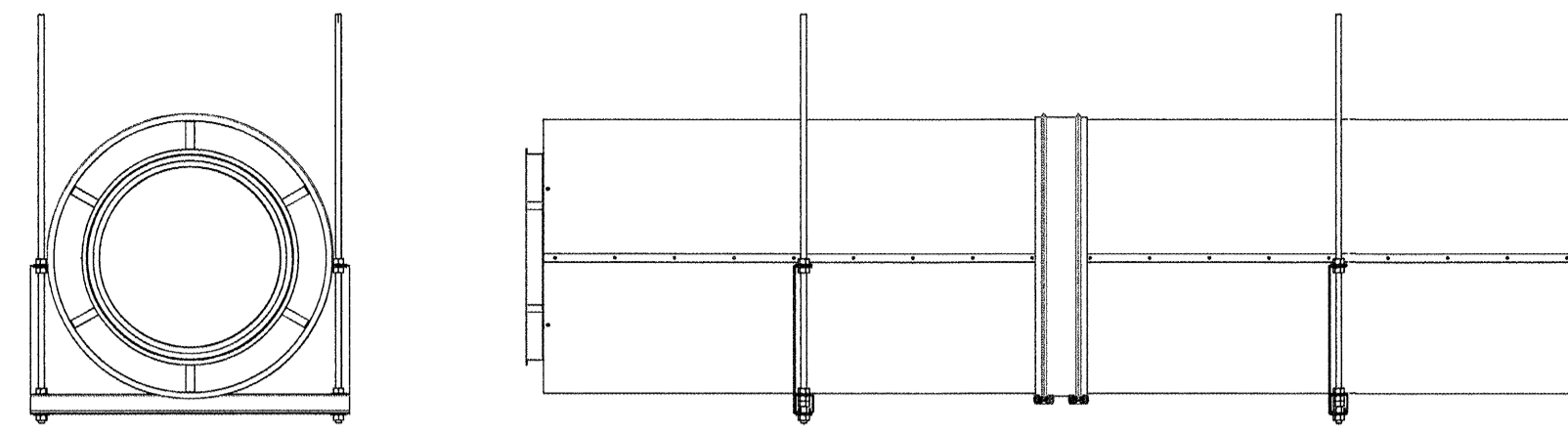
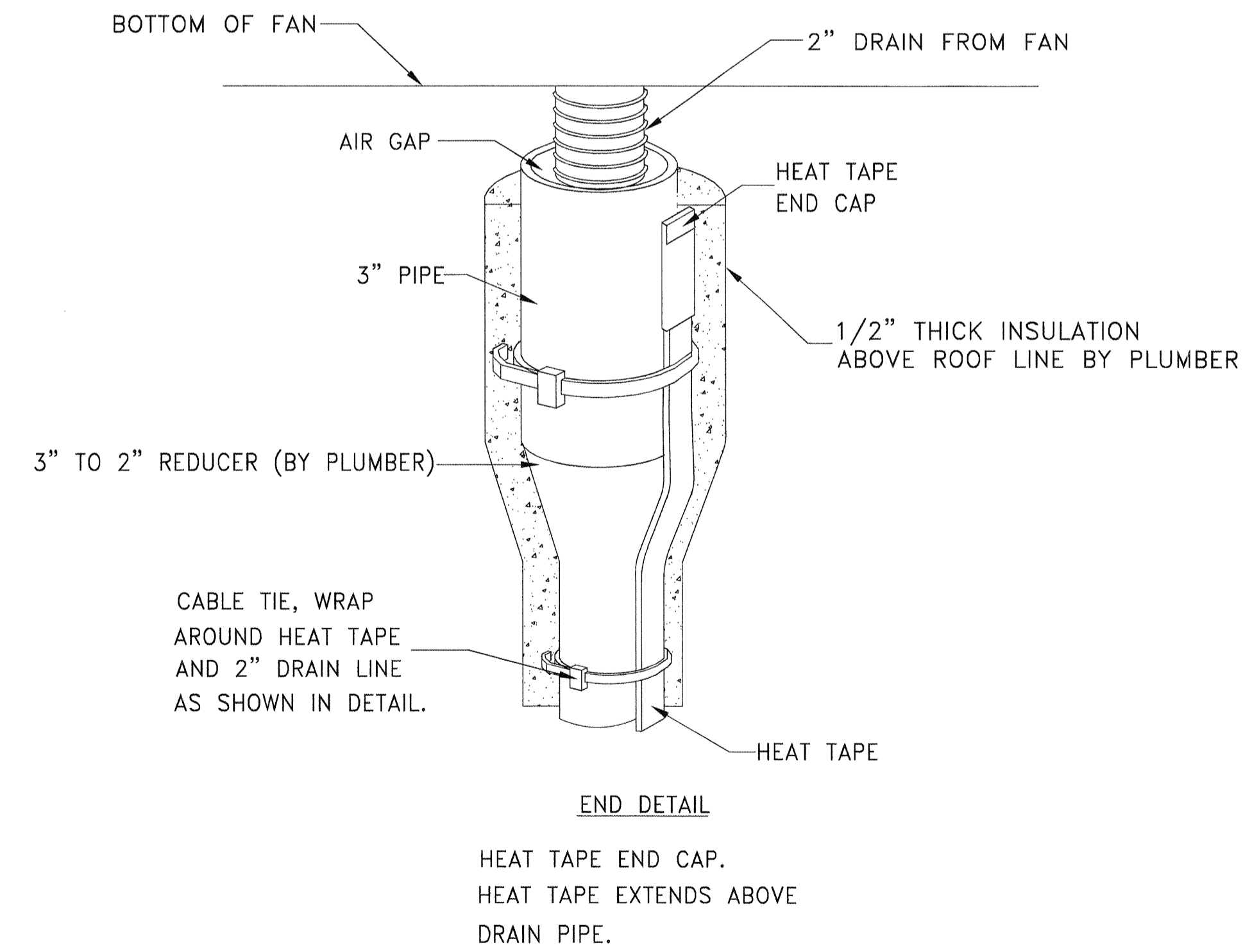
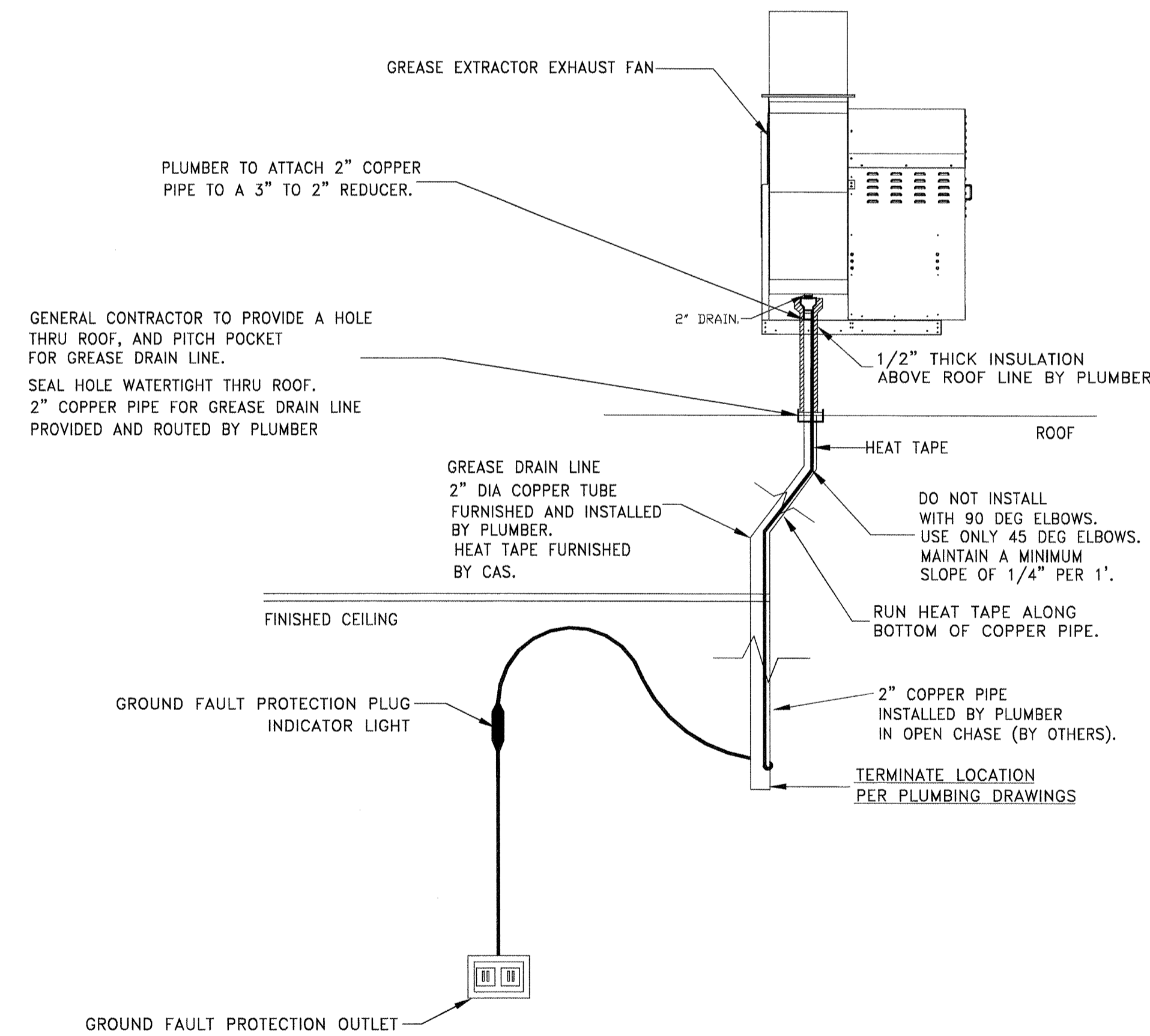


DOUBLE WALL DUCT HORIZONTAL SUPPORT DETAILS

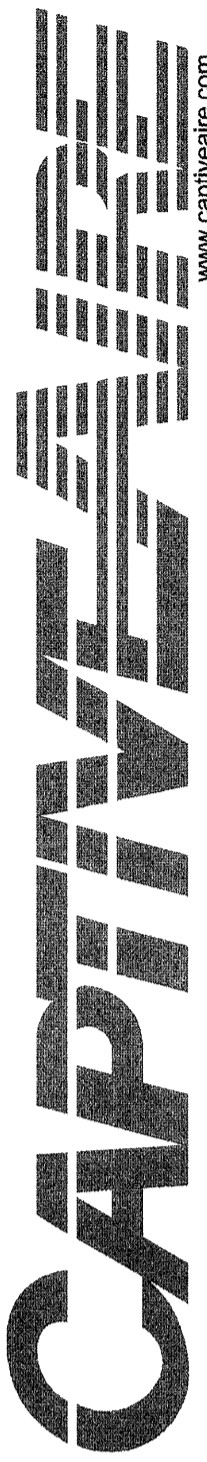


HORIZONTAL SUPPORT	
MAXIMUM SPACING (FT)	
DUCT DIAMETER	MAXIMUM SPACING (FT)
20"	5'



IT IS THE RESPONSIBILITY OF THE CONTRACTOR TO DETERMINE IF THE GREASE DRAIN SYSTEM IS ACCEPTABLE TO LOCAL CODE AUTHORITIES

REVISIONS	
DESCRIPTION	DATE


OREGON OFFICE
 www.captivefire.com
 2702 NE 114th Ave, Suite 2, Vancouver, WA, 98684. PHONE: (503) 828-5418 FAX: (503) 227-5883 EMAIL: reg@0@captivefire.com

Hawthorn Retirement Group Portland, ME
 PORTLAND, ME, 04101

DATE: 8/23/2015
DWG.#: 2416309
DRAWN BY: Sean Elias
SCALE: 3/4" = 1'-0"
MASTER DRAWING

SHEET NO.
3