

REV	DATE	BY	DESCRIPTION



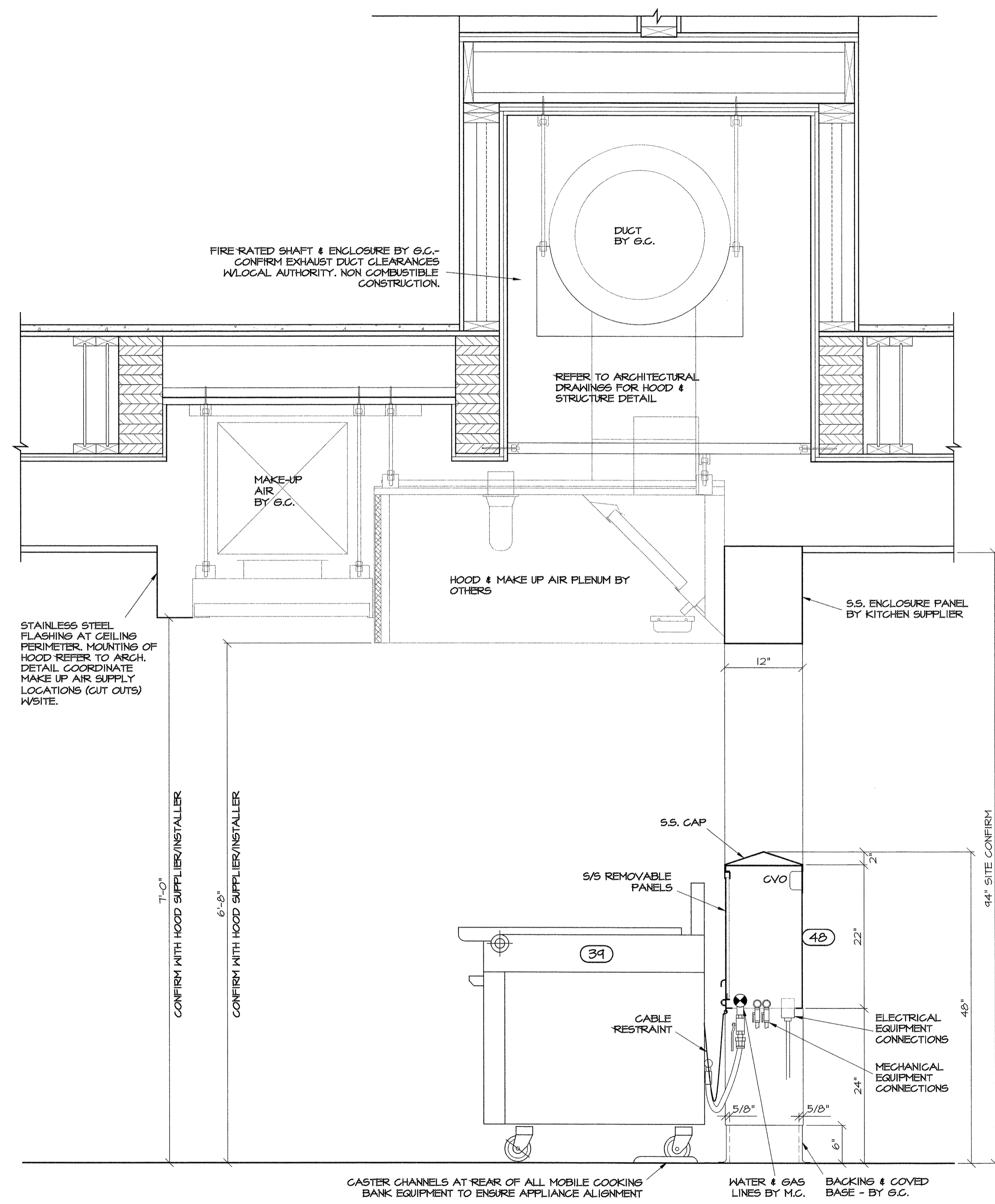
Design	Date	Seal
D.G./N.A.	2001/12/06	
Drawn	Date	
E. LAU	2015/08/17	
Chk.	Date	
App.	Date	

This drawing must not be scaled. The contractor shall verify all dimensions, datums, and levels prior to commencement of work. All errors and omissions to be reported immediately to the consultant. Variations and modifications to work shown on these drawings shall not be carried out without written permission. This is the exclusive property of DGA DESIGN INC. (DAVID GREIG & ASSOCIATES INC.) and may only be reproduced with written permission.

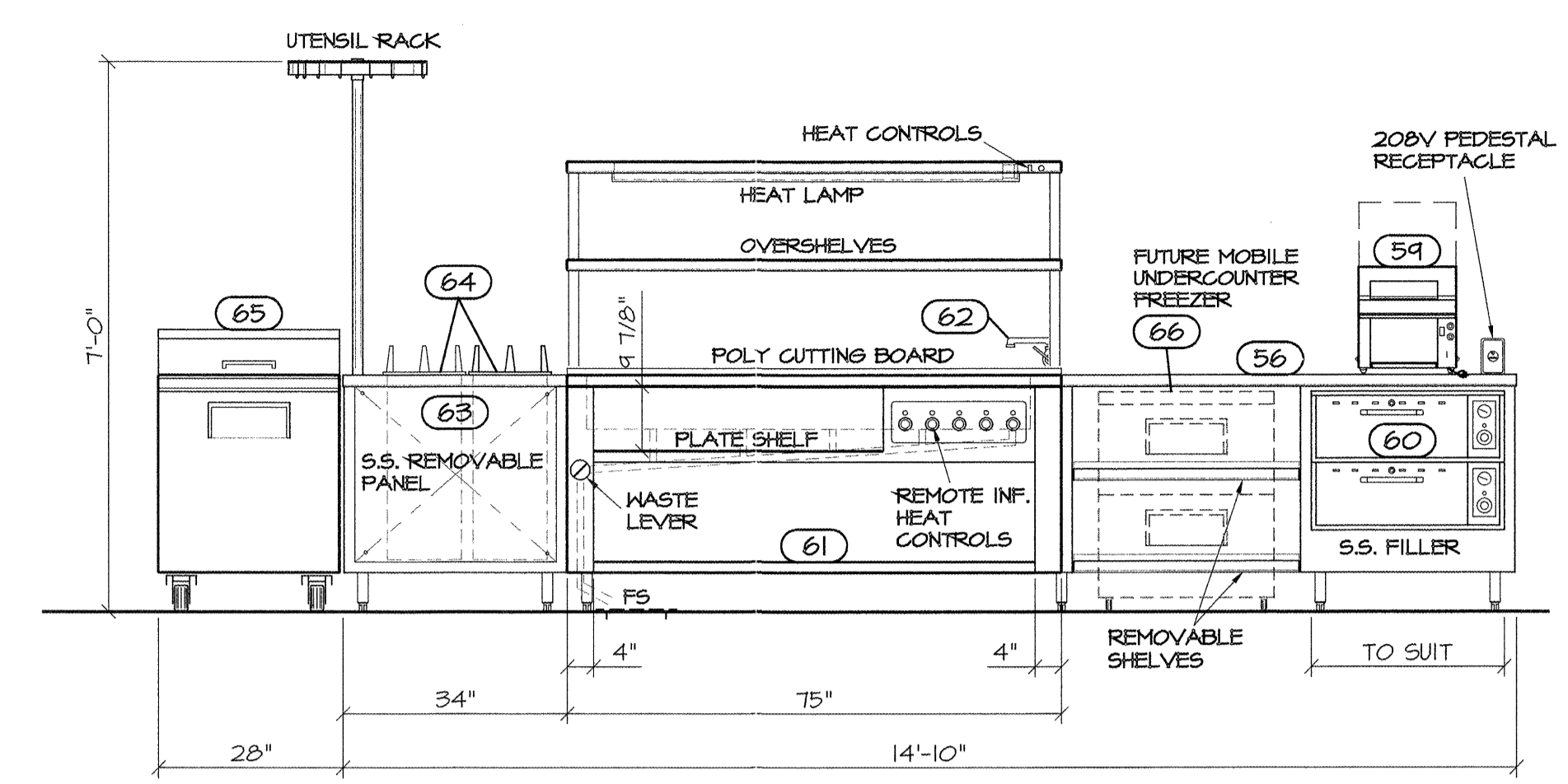
JOB DESCRIPTION
HAWTHORN RETIREMENT RESIDENCE

PORTLAND, ME
DRAWING TITLE
FOODSERVICE ELEVATIONS & SECTIONS

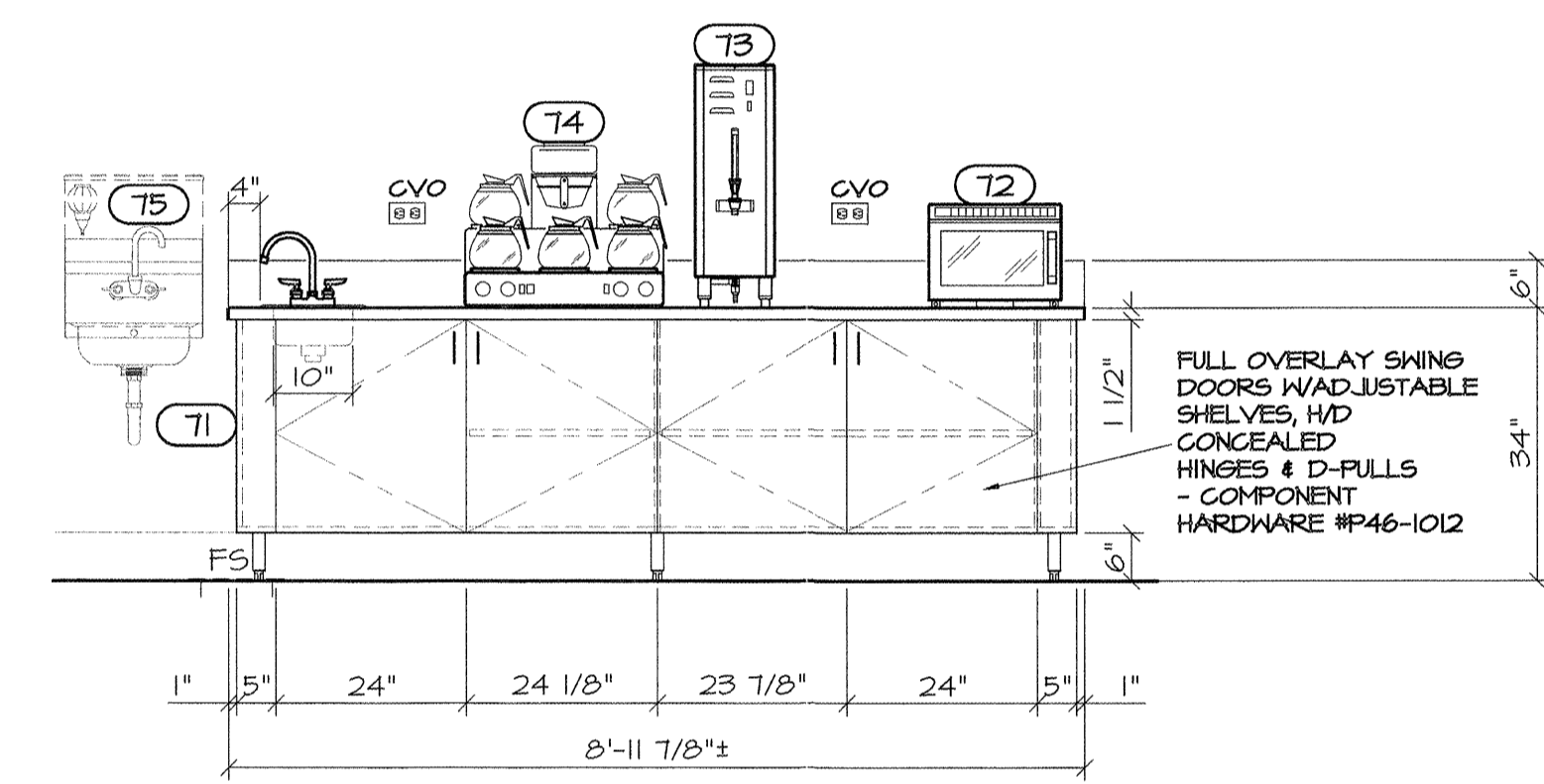
JOB NUMBER	C203
SCALE	AS NOTED
DRAWING NUMBER	FS6
REVISION	



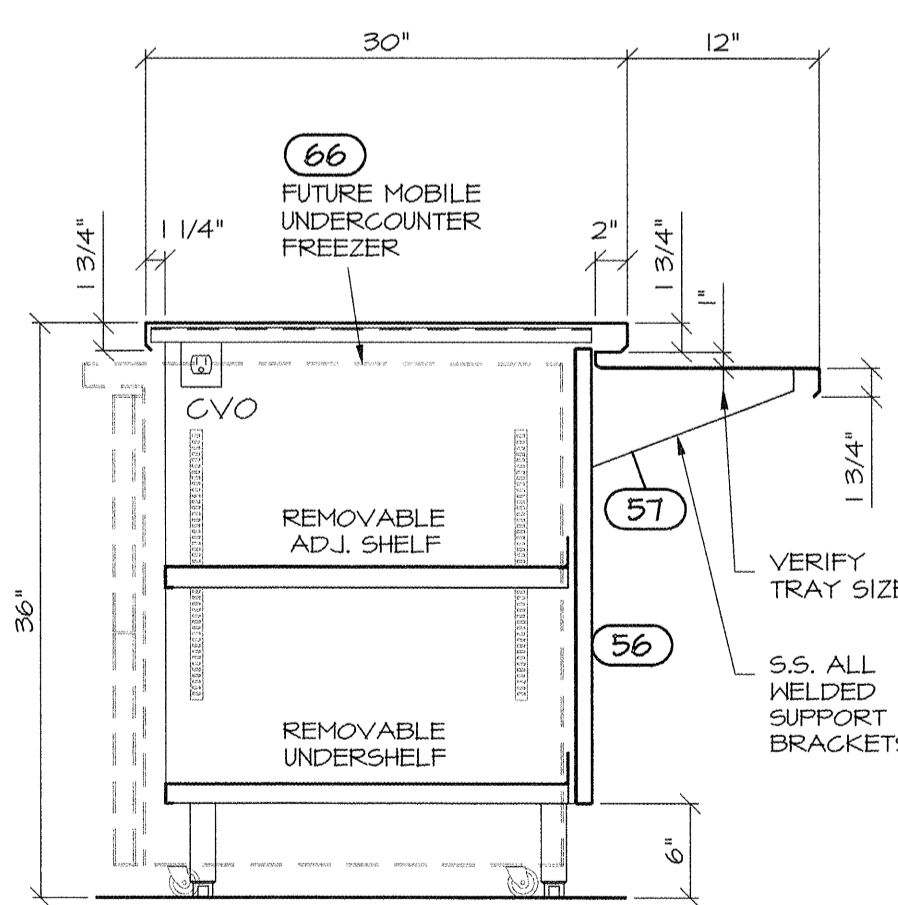
SECTION S1
FS1
COOKING BANK
SCALE: 1"=1'-0"



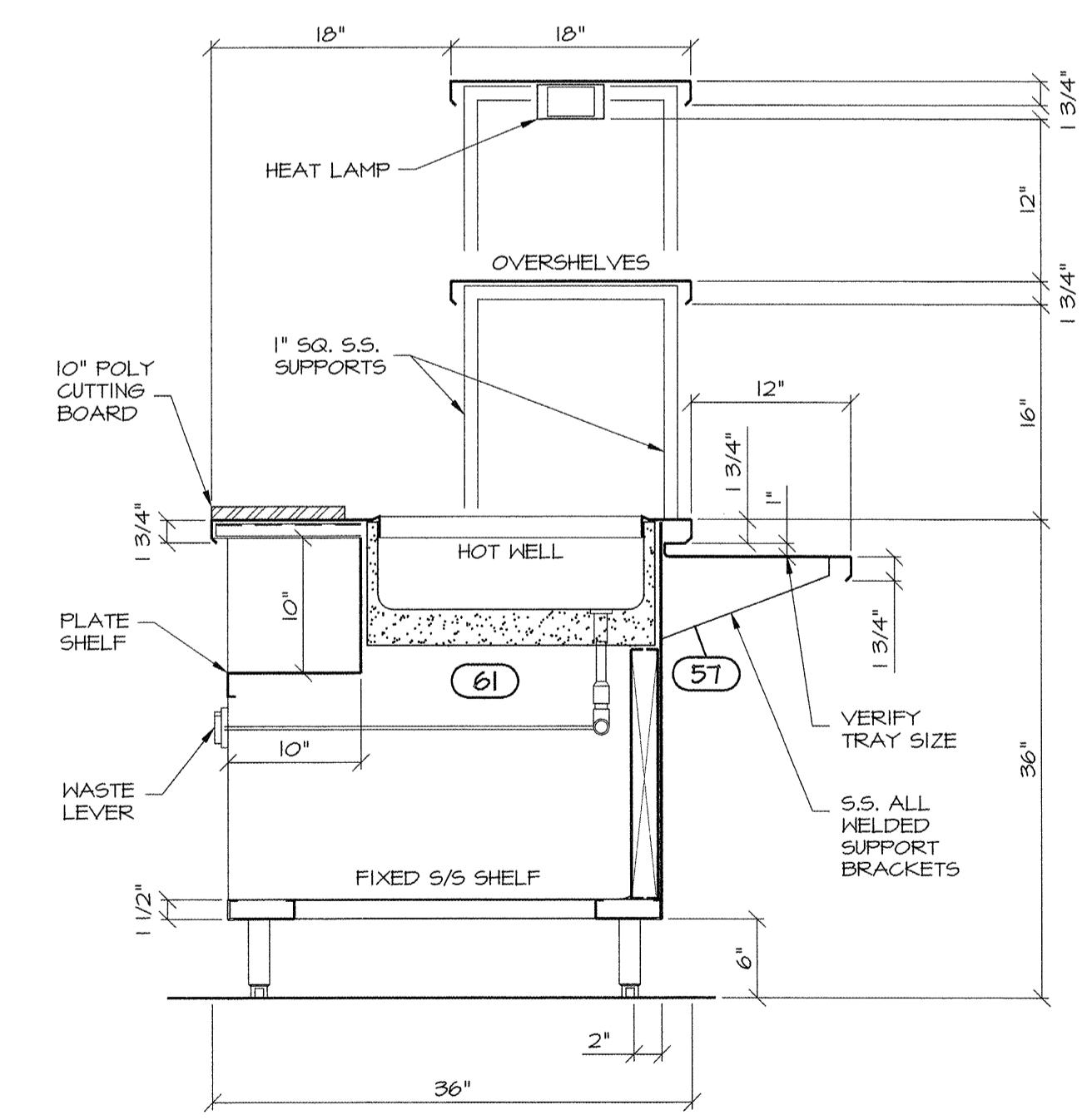
ELEVATION E5
FS1
PLATING
SCALE: 1/2"=1'-0"



ELEVATION E6
FS1
COFFEE COUNTER
SCALE: 1/2"=1'-0"



SECTION S2
FS1
PLATING TABLE
SCALE: 1"=1'-0"



SECTION S3
FS1
HOT STATION
SCALE: 1"=1'-0"