

**GENERAL ELECTRICAL/MECHANICAL NOTES**

- MAXIMUM CONDUIT BEND 45°, IF 90° BEND REQUIRED, USE LONG RADIUS 40" BEND.
- TERMINATE CONDUIT 4" AFF.
- THE M.C. & E.C. ARE TO VERIFY SERVICE CHASES WITHIN FIXTURE WITH F.E.C. SERVICES TO STUB & RUN WITHIN THESE CHASES.
- ON SITE INSTALLATION CONNECTION OF DISCONNECT SWITCHES WHEN SUPPLIED BY THE F.E.C. IS THE RESPONSIBILITY OF THE E.C.
- TELEPHONE LOCATIONS BY THE ELECTRICAL ENGINEER FOR INSTALL BY THE E.C. - CONFIRM LOCATION(S) W/OWNER.
- E.C. TO REFER TO ELECTRICAL ENGINEERS' DRAWING FOR PANEL LOCATIONS AND SCHEDULES.
- E.C. TO SUPPLY AND INSTALL THERMAL #/OR MAGNETIC OVERLOAD PROTECTORS AND DISCONNECT SWITCHES WHERE REQUIRED BY CODE AND INSTALL DISCONNECT SWITCHES SUPPLIED BY F.E.C.
- WALL MOUNTED RECEPTACLES BY THE E.C. TO BE MOUNTED HORIZONTALLY, ALL RECEPTACLES MOUNTED IN TABLES/COUNTERS TO BE PROVIDED & INSTALLED BY THE F.E.C.
- ELECTRICAL ENGINEER TO LOCATE ADEQUATE CONVENIENCE OUTLETS (CVO) AS PER LOCAL ELECTRICAL AND BUILDING CODES TO BE INSTALLED BY THE E.C.
- GREASE INTERCEPTOR & BACK FLOW PREVENTER BY M.C.
- REFER TO MECHANICAL ENGINEERS DRAWINGS FOR GREASE INTERCEPTOR & AREA FLOOR DRAIN LOCATIONS.
- ON SITE INSTALLATION CONNECTION OF VALVES & FITTINGS SUPPLIED BY THE F.E.C. IS THE RESPONSIBILITY OF THE MECHANICAL (PLUMBING) CONTRACTOR.
- M.C. IS TO SUPPLY/INSTALL ALL SERVICES INCLUDING (BUT NOT LIMITED TO):
  - ISOLATING & PRESSURE REDUCING VALVES AND BACK FLOW PREVENTERS (AS REQUIRED BY CODE) AND OTHER COMPONENTS FOR A COMPLETE WORKING SYSTEM
  - CONNECTIONS/INTERCONNECTIONS AS NOTED FOR COMPLETE START-UP & TESTING OF EQUIPMENT IS THE RESPONSIBILITY OF THE APPLICABLE M.C.
- EXHAUST CANOPIES/VENTILATORS WIRED TO FAN, FAN SWITCH & MELINK INTELLI-HOOD CONTROLS. SWITCH LOCATIONS NOTED ON APPLICABLE DRAWING. REFER TO ELECTRICAL ENGINEERS DRAWINGS FOR WIRING TO BUILDING SYSTEMS.
- VENTILATOR CONTROL PANEL, FIRE SUPPRESSION SYSTEMS WIRING & MELINK INTELLI-HOOD CONTROLS
  - E.C./M.C. TO REFER TO ENGINEERED SHOP DRAWINGS PRIOR TO WIRING #/OR PLUMBING SERVICES.
  - VENTILATOR CONTROL PANEL - WIRING BY E.C.
  - 120V/220A SERVICE - UNINTERRUPTED CIRCUIT
  - 2 WIRES TO HOOD LIGHTING
  - 2 WIRES TO MAGNETIC STARTER FOR EXHAUST FAN
  - 3 WIRES TO EACH REMOTE SOLENOID VALVE
  - ALL INTERWIRING BETWEEN PANEL, FIRE SUPPRESSION SYSTEM, VENTILATOR, BUILDING ALARM SYSTEM, FIRE PULL STATIONS.
  - FIRE SUPPRESSION SYSTEM - WIRING BY E.C.
  - 2 WIRES TO SHUNT TRIP BREAKER(S), CONTRACTOR #/OR GAS SOLENOID VALVE(S).
- E.C. TO PROVIDE POWER SUPPLY INCLUDING WIRING & CONDUIT W/ADEQUATE BREAKER PROTECTOR FOR LOADS NOTED ON SERVICE LIST TO THE CONNECTION POINTS NOTED MAKE FINAL CONNECTIONS & INTERCONNECTIONS AS INDICATED AND TO COORDINATE WITH THE START UP & TESTING OF THE FOOD SERVICE EQUIPMENT W/F.E.C.
  - E.C. TO INTERCONNECT:
    - REFRIGERATION SYSTEMS, EVAPORATOR & COMPRESSOR
    - CONTROL PANELS WHEN REQUIRED (SUPPLIED BY F.E.C.) & APPLICABLE FOOD SERVICE EQUIPMENT (BY F.E.C.) I.E.: DISPOSAL SYSTEM, WASTE MANAGEMENT SYSTEM, FIRE PULL STATIONS, BUILDING ALARM SYSTEM (IF REQ'D BY ELECTRICAL ENGINEER).
    - VENTILATOR/CANOPY LIGHTS TO SEPARATE SWITCHES AS SHOWN.
    - WALK-INS AS REQUIRED; LIGHTS TO LIGHT SWITCHES & THRESHOLD HEATERS, RELIEF VENT, AUDIO/VISUAL ALARM SYSTEM.
- MOIST CONDITIONS WITHIN WALK-INS COOLER/FREEZER, E.C. TO USE APPLICABLE CONDUIT FOR CONDITIONS (SEAL-TITE FLEX OR RIGID PLASTIC CONDUIT). EXPOSED CONDUIT WITHIN WALK-INS IS NOT ACCEPTABLE. ALL ROUGHING IN TO BE DONE PRIOR TO THE ERECTION OF WALK-IN COOLERS/FREEZERS.
- IF FOR INDOOR APPLICATION REMOTE AIR COOLED COMPRESSORS LOCATED AS SHOWN ON PLANS. M.C. TO PROVIDE AIR CIRCULATION AS REQUIRED.
- 15.0A DEDICATED CIRCUIT(S) REQUIRED TO SERVICE P.O.S. TERMINALS W/ISOLATED GROUND. E.C. TO CONFIRM REQUIREMENTS WITH SYSTEM SUPPLIER.
- ALL SERVICES TO RUN WITHIN WALLS - NO RUNNING OF SERVICES EXTERNAL TO WALL FINISH.
- M.C. TO RUN WASTE LINES FOR EVAPORATORS TO FLOOR DRAINS EXTERNAL TO WALK-IN COOLERS & FREEZERS PRIOR TO INSTALLATION OF BOXES. M.C. TO COORDINATE REQUIREMENTS W/ R.C. PRIOR TO INSTALLATION.

**GENERAL ELECTRICAL/MECHANICAL NOTES CONTINUED**

- SHATTERSHIELDS FOR ALL LIGHTS ABOVE FOOD PREPARATION, WORK, AND STORAGE AREAS WILL BE PROVIDED.
- M.C. TO PROVIDE ALL SINKS AND LAVATORIES IN THE FOOD FACILITY WILL BE SUPPLIED WITH HOT (MINIMUM 120°F) AND COLD RUNNING WATER UNDER PRESSURE.
- ALL PLUMBING, ELECTRICAL, AND GAS LINES SHALL BE CONCEALED WITHIN THE STRUCTURE TO A GREAT EXTENT AS POSSIBLE. ALL LINES NOT CONCEALED TO BE SECURED 6" OFF FLOOR AND 3/4" FROM WALLS USING STANDOFF BRACKETS.
- AN APPROVED BACKFLOW PREVENTOR SHALL BE PROPERLY INSTALLED BY THE M.C. UPSTREAM OF ANY POTENTIAL HAZARD BETWEEN THE POTABLE WATER SUPPLY AND A SOURCE OF CONTAMINATION.
- M.C. WILL PROVIDE FLOOR DRAINS IN JANITORIAL ROOMS WITH MOP SINKS.
- THE M.C. IS TO ENSURE ALL DISH PAN AND GLASSWASHERS MUST DRAIN TO A MINIMUM 3" TRAPPED FLOOR SINK WITH LEGAL AIR GAP.

**ARCHITECTURAL REQUIREMENTS GENERAL NOTES:**

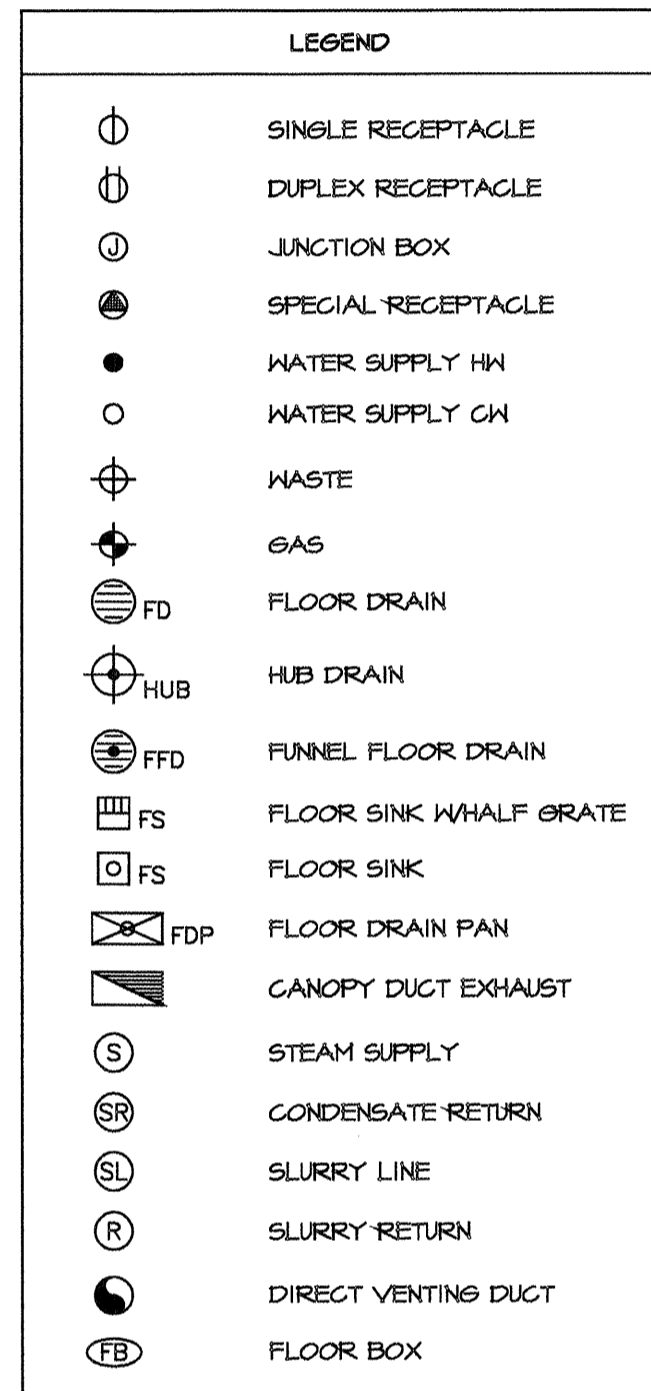
- DIMENSIONS GIVEN ARE FROM FINISH TO FINISH UNLESS OTHERWISE NOTED.
- THE GENERAL CONTRACTOR IS TO COORDINATE SCHEDULING, ROUGH-IN DIMENSIONS & CONSTRUCTION DETAILS WITH THE F.E.C. TO ENSURE THE PROPER INSTALLATION OF THE FOODSERVICE EQUIPMENT.
- TERMINATE CONDUIT 4" AFF. CONDUIT DIAMETER NOTED REFERS TO INSIDE DIAMETER - ALL INTERNAL JOINTS TO BE SMOOTH W/ MAX. CONDUIT BEND OF 45°. IF 90° BEND REQUIRED USE LONG RADIUS 40" BEND OR 2 45° BENDS (CONFIRM W/F.E.C.)
- GENERAL CONTRACTOR/MECHANICAL CONTRACTOR TO COORDINATE INSTALLATION OF GREASE INTERCEPTOR W/F.E.C. TO INSURE NO INTERFERENCE W/FOODSERVICE EQUIPMENT.
- BLOCKING IN WALLS BY GENERAL CONTRACTOR TO BE COORDINATED W/F.E.C. BLOCKING REQUIRED FOR ALL WALL MOUNTED EQUIPMENT & SEISMIC REQUIREMENTS. I.E. HAND SINKS, HOODS, OVER-SHELVES, ETC.
- FLOOR DEPRESSIONS BY E.C. (REFER TO DETAILS). THE E.C. IS TO INSTALL ALL FLOOR DRAIN PANS W/COORDINATION FROM THE F.E.C. AND APPLICABLE SHOP DRAWINGS.
- NO SERVICES ARE TO RUN WITHIN THE WALK-IN COOLER OR FREEZER WALLS.
- REFER TO SITE FOR EXISTING CONDITIONS.
- R.C. TO RUN REFRIGERATION LINES FROM COMPRESSORS TO EVAPORATORS. RUN LINES DURING ROUGHING OF WALLS & CEILINGS.
- ISLAND FIXTURES - MECHANICAL/ELECTRICAL SERVICES TO RUN AS SHOWN ON PLANS FROM BELOW.
- GENERAL CONTRACTOR TO PROVIDE PENETRATIONS & FIRE SEAL THROUGH WALLS & CEILINGS AS REQUIRED FOR FOODSERVICE INSTALLATION

**FOODSERVICE REQUIREMENTS GENERAL NOTES:**

- ALL EQUIPMENT AND INSTALLATION WILL MEET N.S.F., INTERNATIONAL STANDARDS, OR EQUIVALENT.
- ALL EQUIPMENT IS ON 6" SANITARY LEGS OR CASTERS. IF NOT, THE FLOOR MATERIAL WILL BE CONTINUOUSLY COVERING UP THE TOE KICK OF THE COUNTER/EQUIPMENT THAT SETS FLUSH ON THE FLOOR. IF REQUIRED, A CURB WILL BE PROVIDED (MINIMUM 2" IF CONCRETE) TO SET THE EQUIPMENT ON - FLOOR MATERIAL TO BE COVERED WITH A MINIMUM 3/8" RADIUS COVE.
- ALL SHELVING OVER WET AREAS (SINKS, MOP SINKS ETC.) WILL BE METAL.
- ALL FOOD RELATED AND UTENSIL RELATED EQUIPMENT SHALL MEET OR BE EQUIVALENT TO APPLICABLE SANITATION STANDARDS.
- ALL VENTILATION HOODS WILL BE CONSTRUCTED AND INSTALLED TO ALL U.L. NFPA66 AND LOCAL CODES. OVERHANG REQUIREMENTS WILL BE MET - REFER TO PLANS AND EQUIPMENT SECTIONS. HOODS OVER BROILERS WILL BE RATED FOR 600°F (100°F FOR SOLID FUEL/CHAR ROCKS)
- GENERAL CONTRACTOR TO SUPPLY HAND HELD FIRE EXTINGUISHERS WITHIN KITCHEN AS REQUIRED BY LOCAL CODES

**ARCHITECTURAL REQUIREMENTS LEGEND**

- REFRIGERATION SYSTEMS:  
RUN REFRIGERATION LINES DURING ROUGHING IN OF WALLS & CEILING (FROM COMPRESSORS TO EVAPORATORS) UNLESS OTHERWISE NOTED
- (M) ITEM: 5A
  - (T) ITEM: 7A
- LEGEND**
- (A) MECHANICAL SERVICE SLEEVE - CONFIRM W/MECH. ENG.
  - (B) ELECTRICAL SERVICE SLEEVE - CONFIRM W/ELEC. ENG.
  - (C) FLOOR SINK BY M.C. - HALF GRATE W/HALF OPEN SECTION.
  - (D) WALL BLOCKING AS REQUIRED TO SUPPORT THE APPLIED WEIGHT - BY G.C.
  - (E) RECESSED INSULATED FLOOR - REFER TO DETAIL - BY G.C. CONFIRM THERMAL BREAK LOCATIONS W/SHOP DRAWINGS.
  - (F) WALL PENETRATIONS FOR REFRIGERATION LINES - BY G.C.
  - (G) REFRIGERATION LINES TO RUN SURFACE MOUNTED ALONG UNDERSIDE OF FINISHED CEILING - BY REFRIG. CONTRACTOR CONCEAL USING ENCLOSURE AND PAINT TO MATCH - BY G.C.
  - (H) REFRIGERATION CURB - BY G.C.
  - (I) NON COMBUSTIBLE WALL - BY G.C.

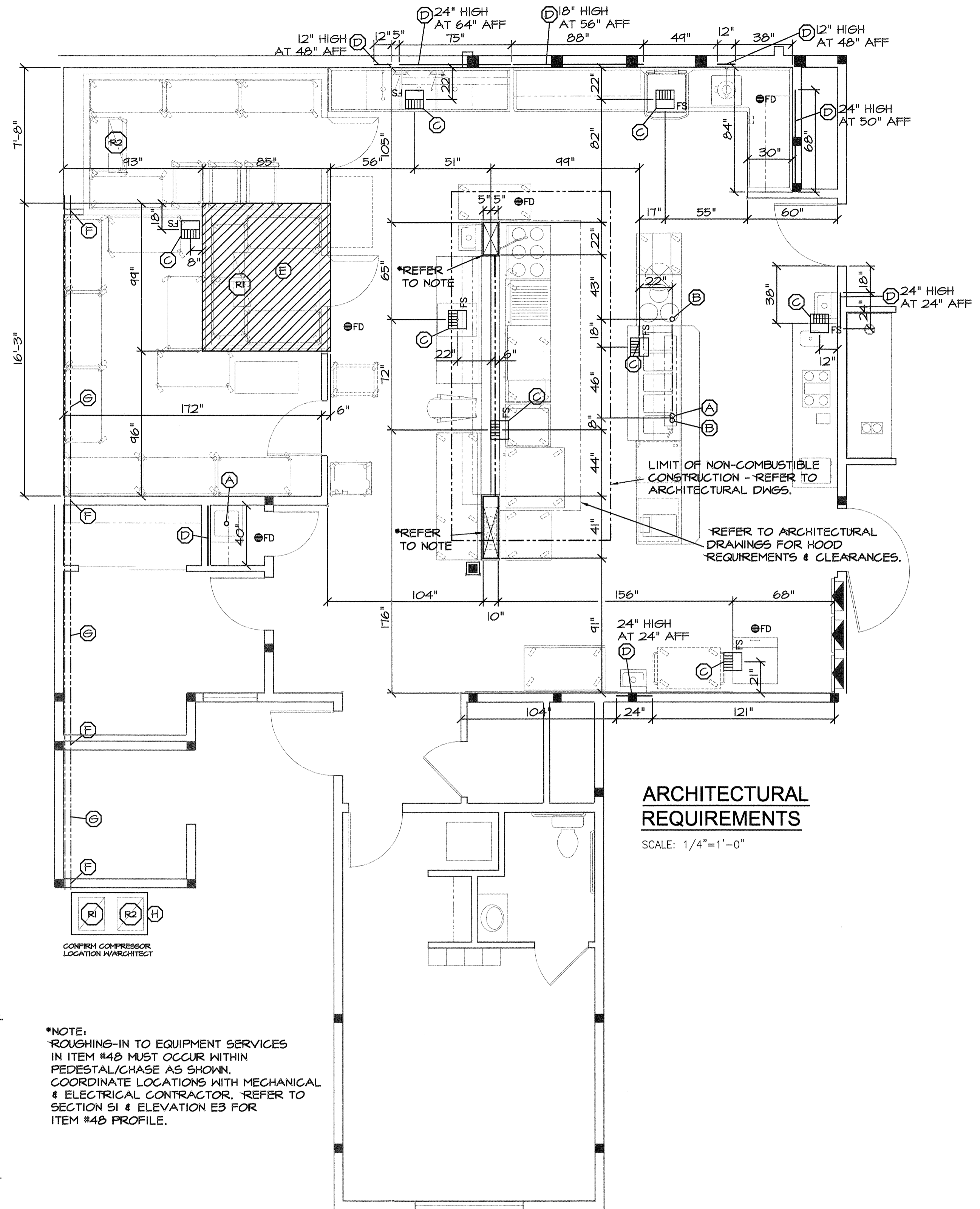


**NOTE:**  
INTENT OF SYMBOLS ON THIS DRAWING IS TO INDICATE APPROXIMATE LOCATION OF SERVICES AS THEY OCCUR ON THE EQUIPMENT. ALL SERVICES TO BE BROUGHT UP THROUGH WALLS WHERE POSSIBLE. NO ROUGHING-IN OF SERVICES SHALL BE CARRIED OUT FROM THIS DRAWING.

ALL WALL MOUNTED RECEPTACLES BY ELECTRICAL CONTRACTOR. ALL EQUIPMENT MOUNTED RECEPTACLES TO BE PROVIDED AND INSTALLED BY THE KITCHEN CONTRACTOR. ELECTRICAL CONSULTANT TO LOCATE ADEQUATE CONVENIENCE OUTLETS (CVO) TO BE INSTALLED BY ELECTRICAL CONTRACTOR.

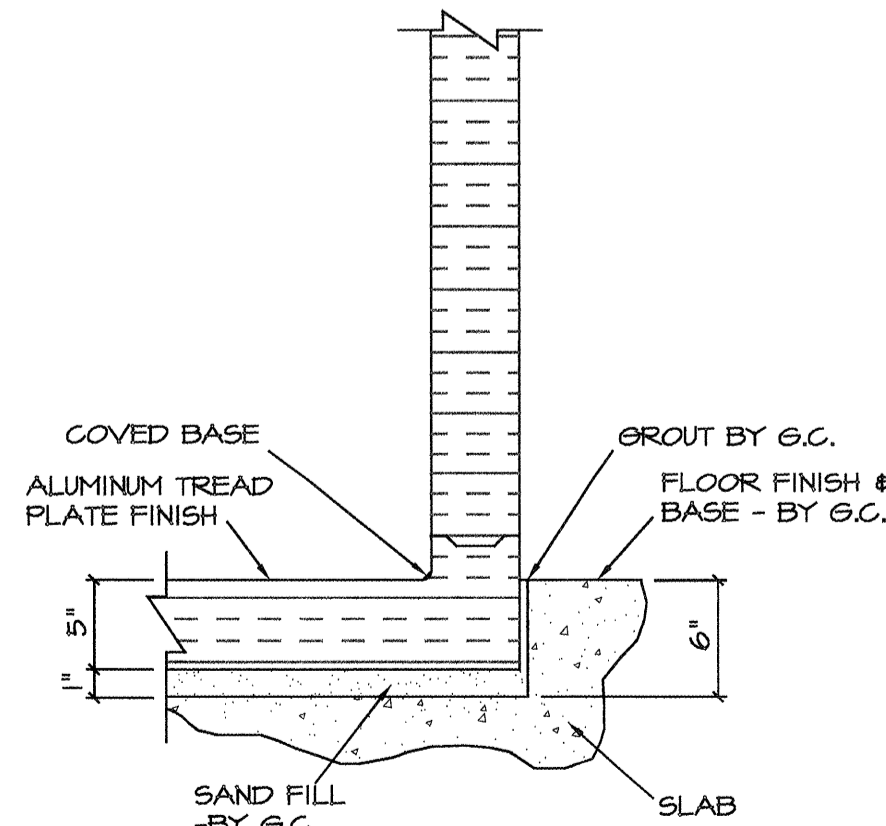
FOR REFERENCE ONLY - VERIFY ALL DIMENSIONS

- ABBREVIATIONS:**
- G.C. = GENERAL CONTRACTOR
  - M.C. = MECHANICAL CONTRACTOR
  - E.C. = ELECTRICAL CONTRACTOR
  - F.E.C. = FOOD EQUIPMENT CONTRACTOR
  - R.C. = REFRIGERATION CONTRACTOR
  - FS = FLOOR SINK
  - FDP = FLOOR DRAIN PAN
  - HD = HOSE BIB
  - WC = UNDER COUNTER
  - US = UNDER SIDE
  - AFF = ABOVE FINISHED FLOOR
  - GI = GREASE INTERCEPTOR



**ARCHITECTURAL REQUIREMENTS**

SCALE: 1/4"=1'-0"



**RECESSED FREEZER FLOOR DETAIL**

SCALE: N.T.S.

**NOTE:**

THIS DRAWING MUST BE READ IN CONJUNCTION WITH THE CORRESPONDING FLOOR PLAN, ELECTRICAL/MECHANICAL SERVICE DRAWINGS, NOTES AND SERVICE SCHEDULES.

THIS DRAWING NOTES WORK UNDER THE GENERAL CONTRACT REQUIRED FOR THE INSTALLATION OF THE FOODSERVICE EQUIPMENT.

REV	DATE	BY	DESCRIPTION



Design	Date	Seal
D.G.N.A.	2001/12/06	
Drawn	Date	
E. LAU	2015/08/17	
App.	Date	

This drawing must not be scaled. The contractor shall verify all dimensions, datums, and levels prior to commencement of work. All errors and omissions to be reported immediately to the consultant. Variations and modifications to work shown on these drawings shall not be carried out without written permission. This is the exclusive property of DGA DESIGN INC. (DAVID GREIG & ASSOCIATES INC.) and may only be reproduced with written permission.

**HAWTHORN RETIREMENT RESIDENCE**

**PORTLAND, ME**

**FOODSERVICE ARCHITECTURAL REQUIREMENTS & GENERAL NOTES**

JOB NUMBER	<b>C203</b>
SCALE	<b>1/4"=1'-0"</b>
DRAWING NUMBER	<b>FS2</b>
REVISION	