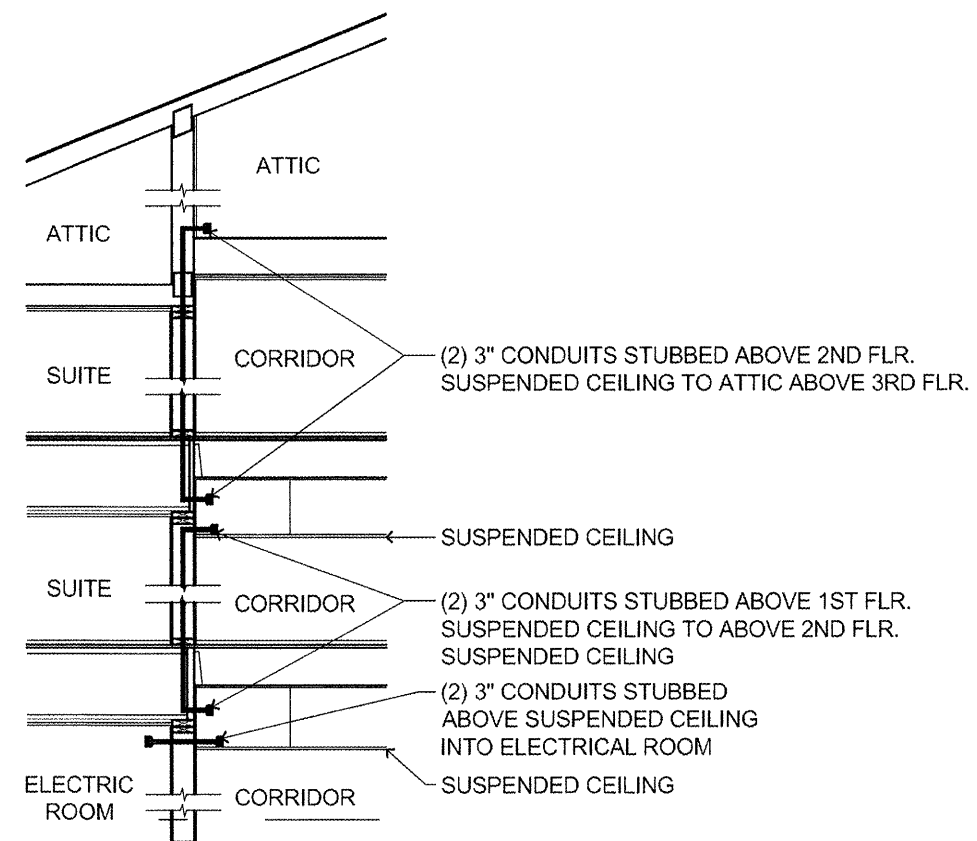
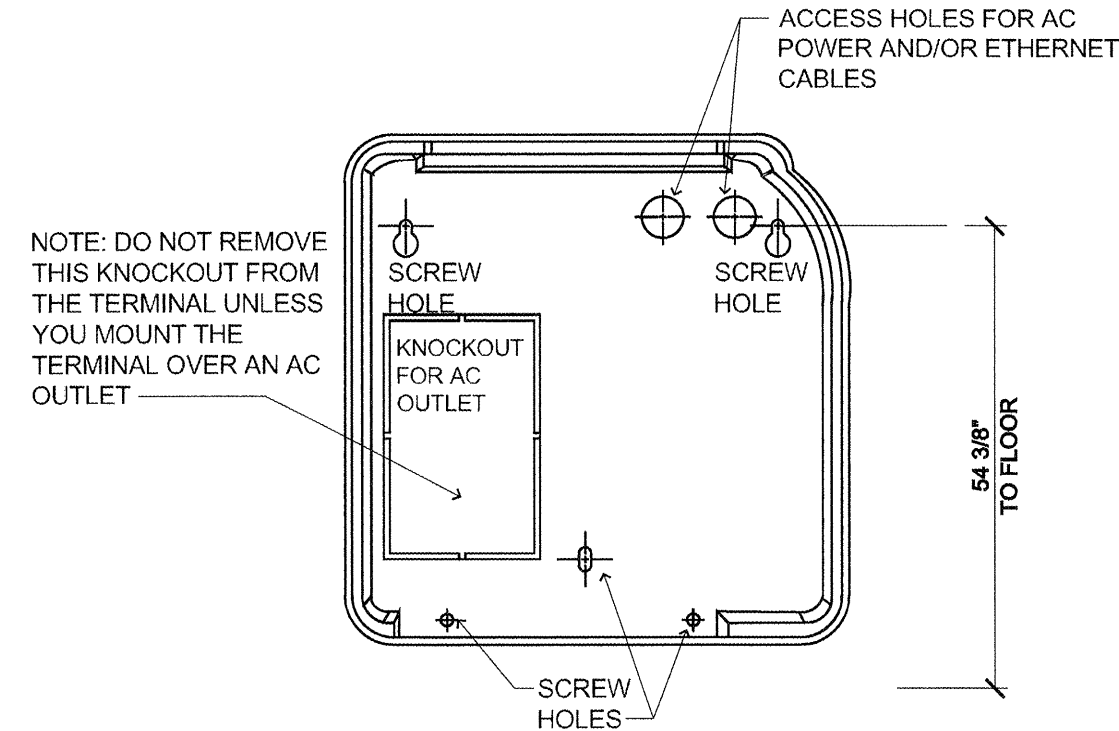


NOT USED

16



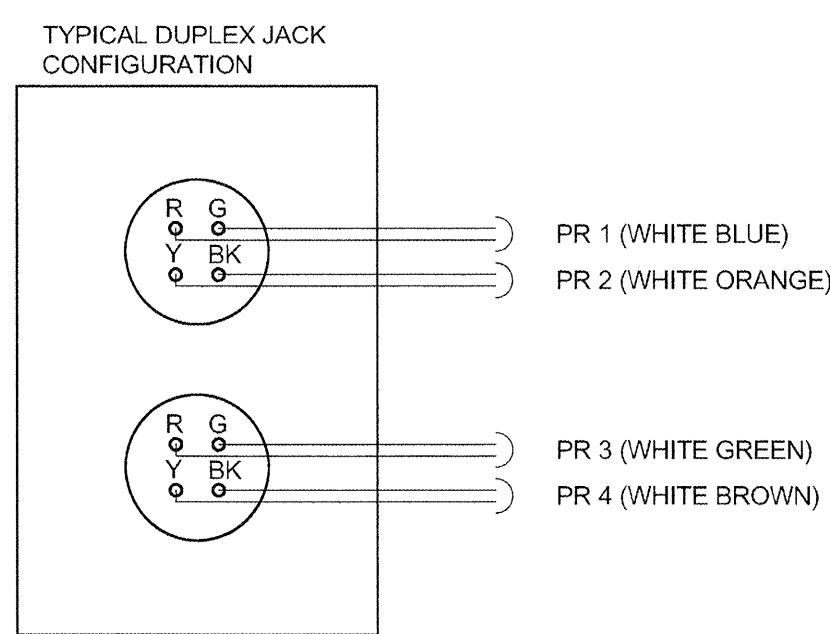
- NOTES:
- ONLY SMOKE DETECTORS IN ELEVATOR LOBBIES AND IN ELEVATOR MACHINE ROOM USED FOR RECALL.
 - ALTERNATE FLOOR ELEVATOR RECALL SMOKE DETECTOR APPLIES ONLY IF THREE STORIES OR TRAVEL GREATER THAN 20'.
 - FIRST FLOOR ELEVATOR RECALL SMOKE DETECTOR, IF SMOKE IS DETECTED ON FIRST FLOOR, THEN ELEVATOR SHALL RECALL TO ALTERNATE FLOOR.
 - ALTERNATE LOCATION OF ELEVATOR SHAFT DETECTOR IF CLEARANCE ON OTHER SIDE IS NOT AVAILABLE.
 - LOCATE ELEVATOR HEAT DETECTOR ACCESS IN CEILING A MIN. OF 36" CLEARANCE. IF CLEARANCE IS NOT AVAILABLE, USE ALTERNATE LOCATION. ATTACH WHITE NAMEPLATE WITH 1/4" RED LETTERS AT CEILING ACCESS TO READ: "ELEVATOR SHAFT HEAT DETECTOR ACCESS".
 - FIXED-TEMPERATURE TYPE 195 DEGREE (F) HEAT DETECTOR FOR ELEVATOR DISCONNECT SHUNT-TRIP. LOCATE WITHIN 24" OF SPRINKLER HEAD. VERIFY WITH FIRE SPRINKLER CONTRACTOR THAT SPRINKLER HEAD IS 215 DEGREE (F) RATED.
 - FIRE SPRINKLER HEAD.
 - FIRE ALARM CONTROL MODULE RELAY (TYP.)
 - JUNCTION BOX FOR TELEPHONE CABLES TO ELEVATOR CAR. EXTEND TO ELEVATOR CONTROLLER AS REQ., VIA 1" CONDUIT.
 - FIXED-TEMPERATURE TYPE, 195 DEGREE (F) HEAT DETECTOR FOR ELEVATOR SHUNT-TRIP. PROVIDE CONTROL MODULE RELAY, IF REQUIRED. COORDINATE WITH FIRE SPRINKLER CONTRACTOR AND NFPA FIRE ALARM CODE.



NOTE: DO NOT REMOVE THIS KNOCKOUT FROM THE TERMINAL UNLESS YOU MOUNT THE TERMINAL OVER AN AC OUTLET

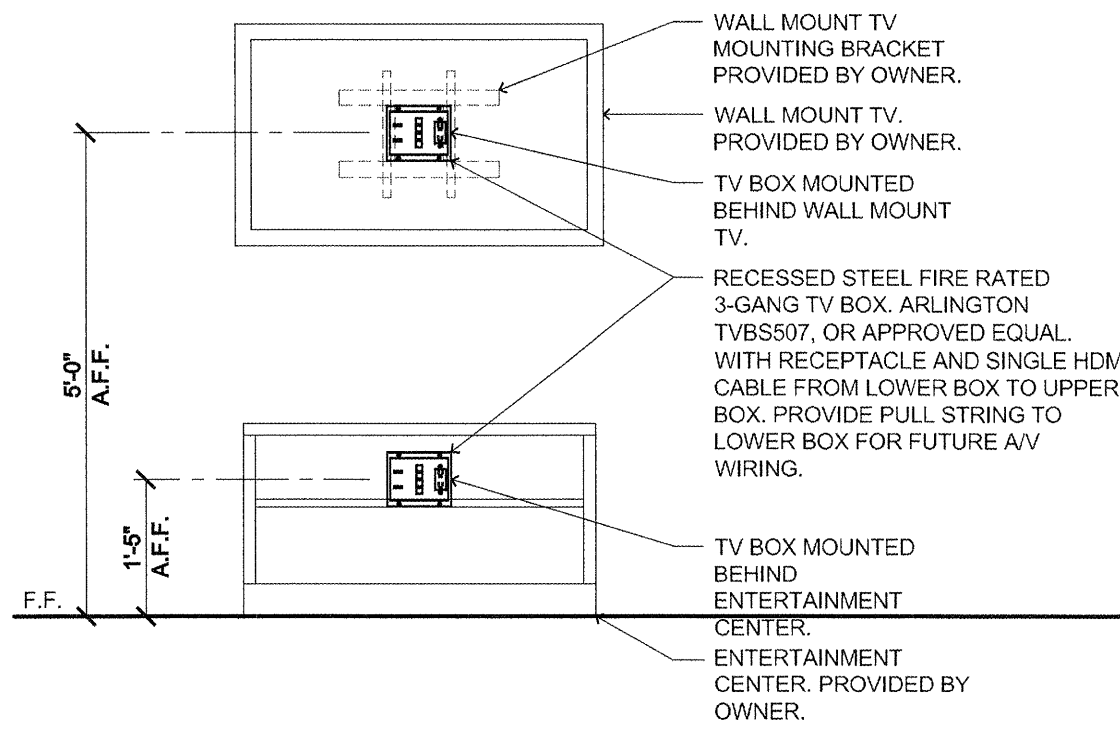
11 TIME CLOCK

SCALE: NOT TO SCALE



10 TYPICAL PHONE JACK

SCALE: NOT TO SCALE

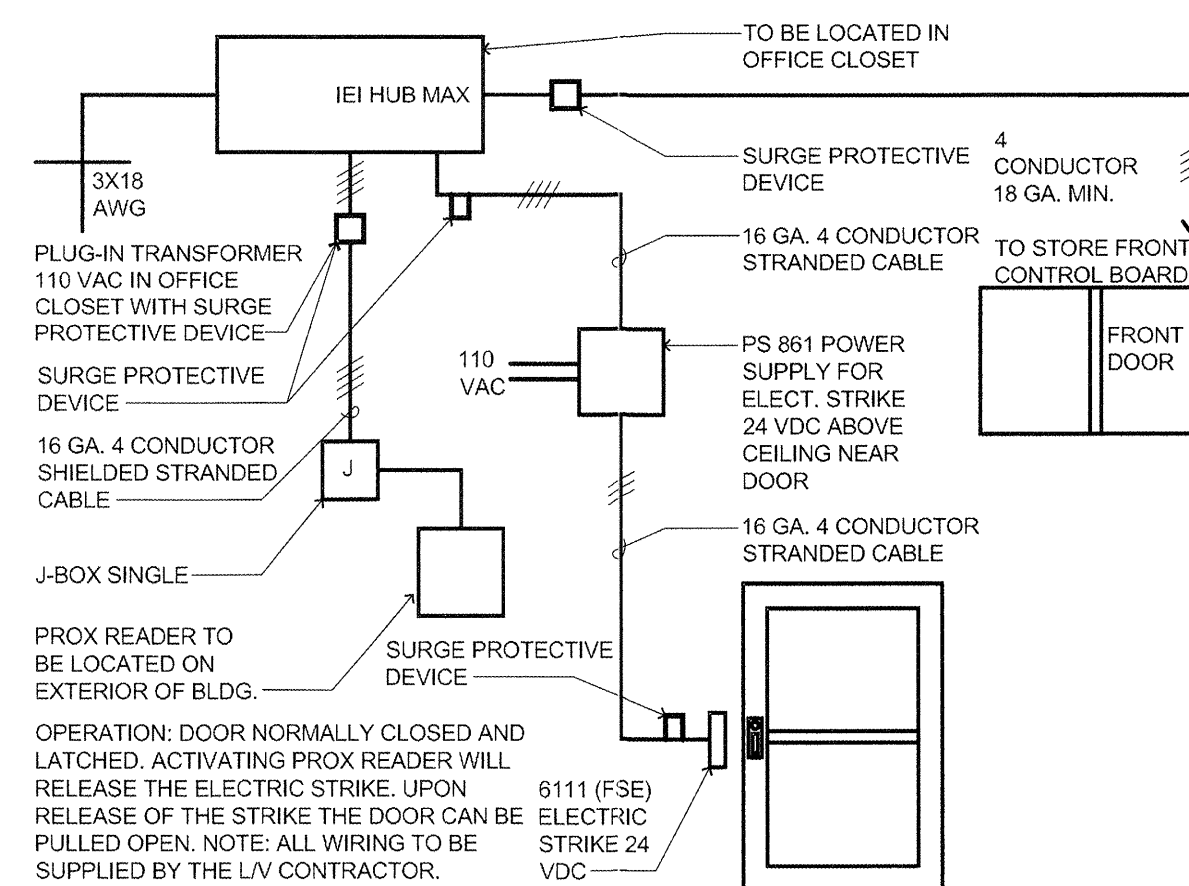


9 WALL MOUNT TV ELECTRICAL INSTALLATION

SCALE: 1/2" = 1'-0"

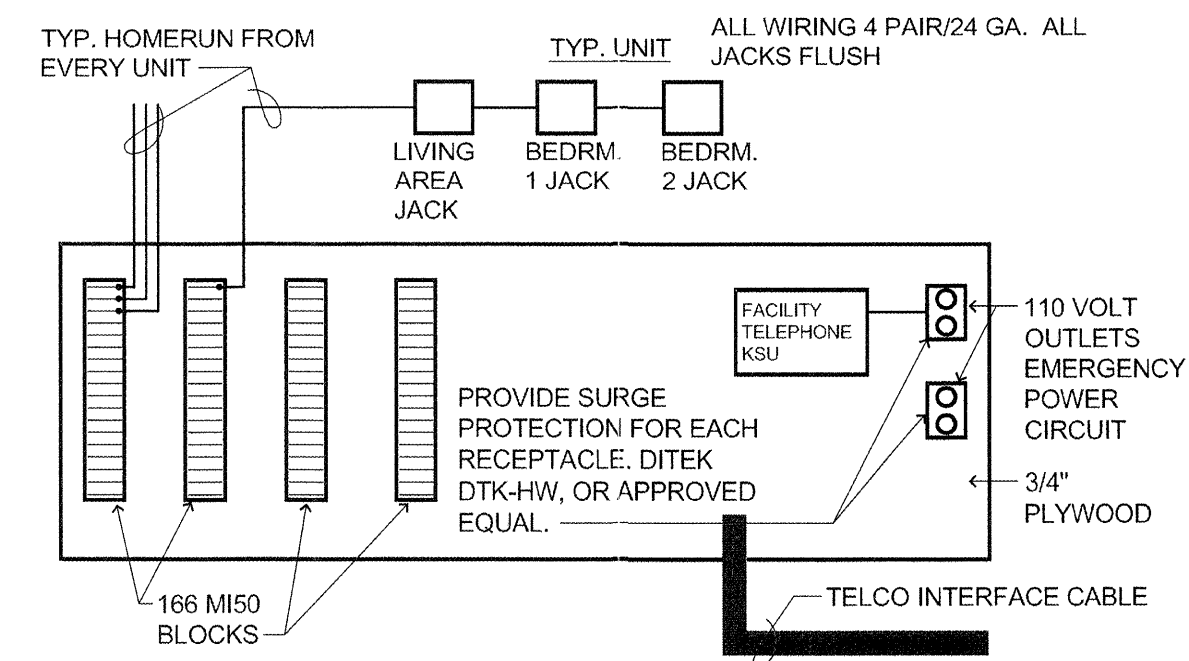
8 DINING / ACTIVITY PA SPEAKERS

SCALE: NOT TO SCALE



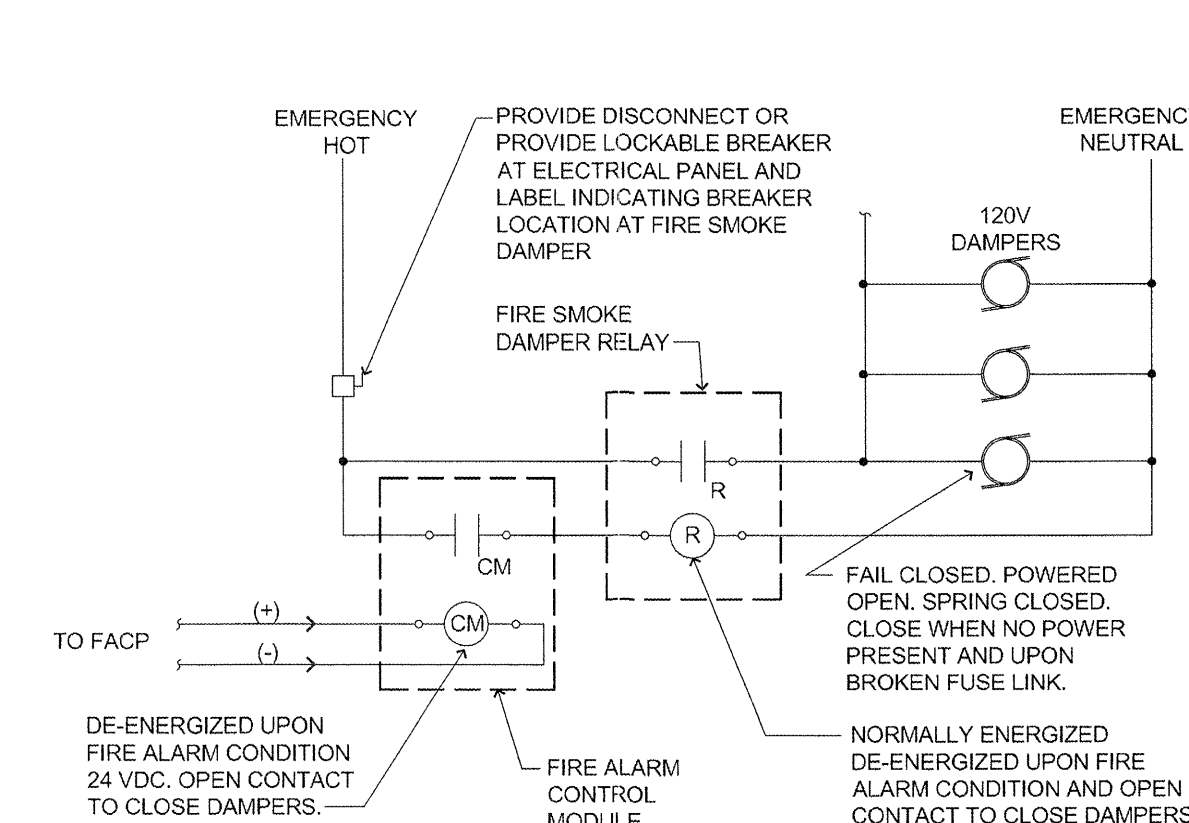
7 ACCESS DOOR CARD READER SYSTEM HUB MAX SYSTEM

SCALE: NOT TO SCALE



6 RESIDENT UNIT TELEPHONE WIRING

SCALE: NOT TO SCALE

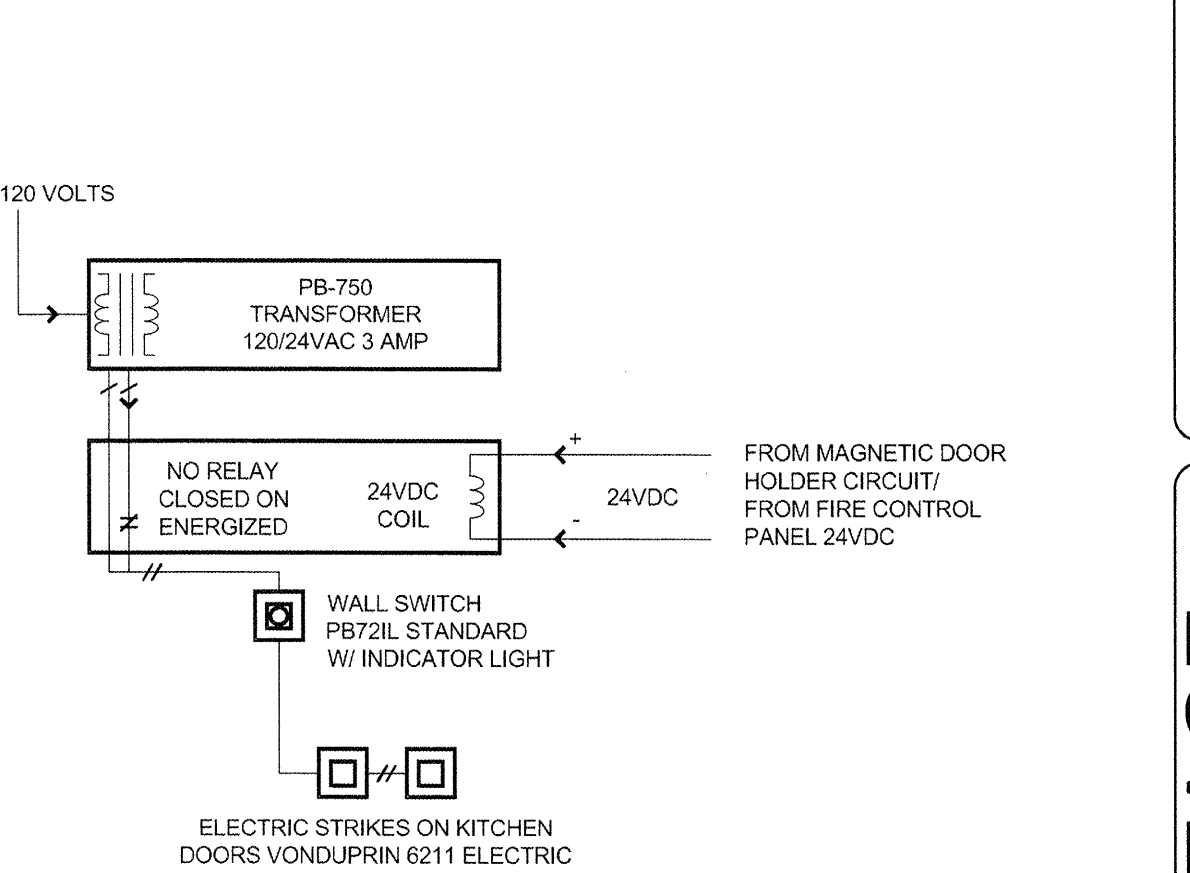


5 FIRE/SMOKE DAMPER CONTROL

SCALE: N.T.S.

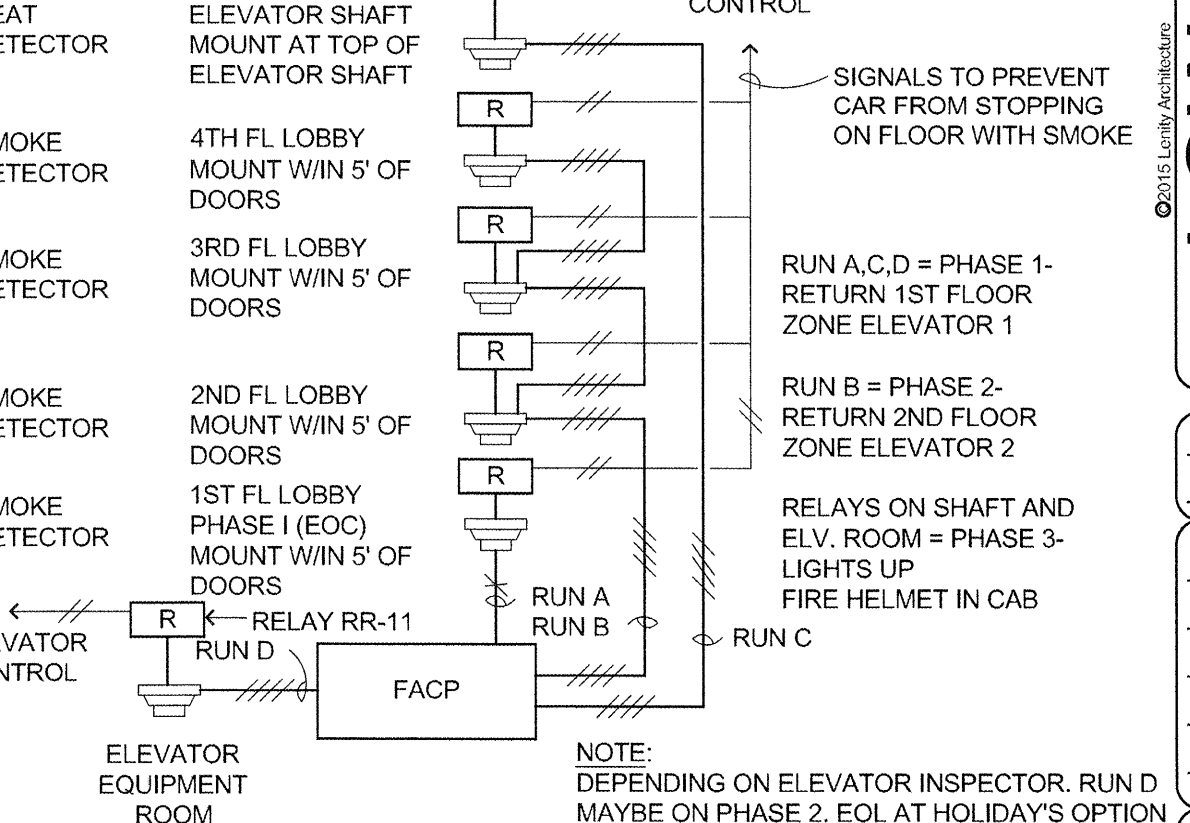
3 ROOM SMOKE/CO DETECTOR

SCALE: N.T.S.



2 ELECTRONIC STRIKE (POWER SYSTEM)

SCALE: NOT TO SCALE

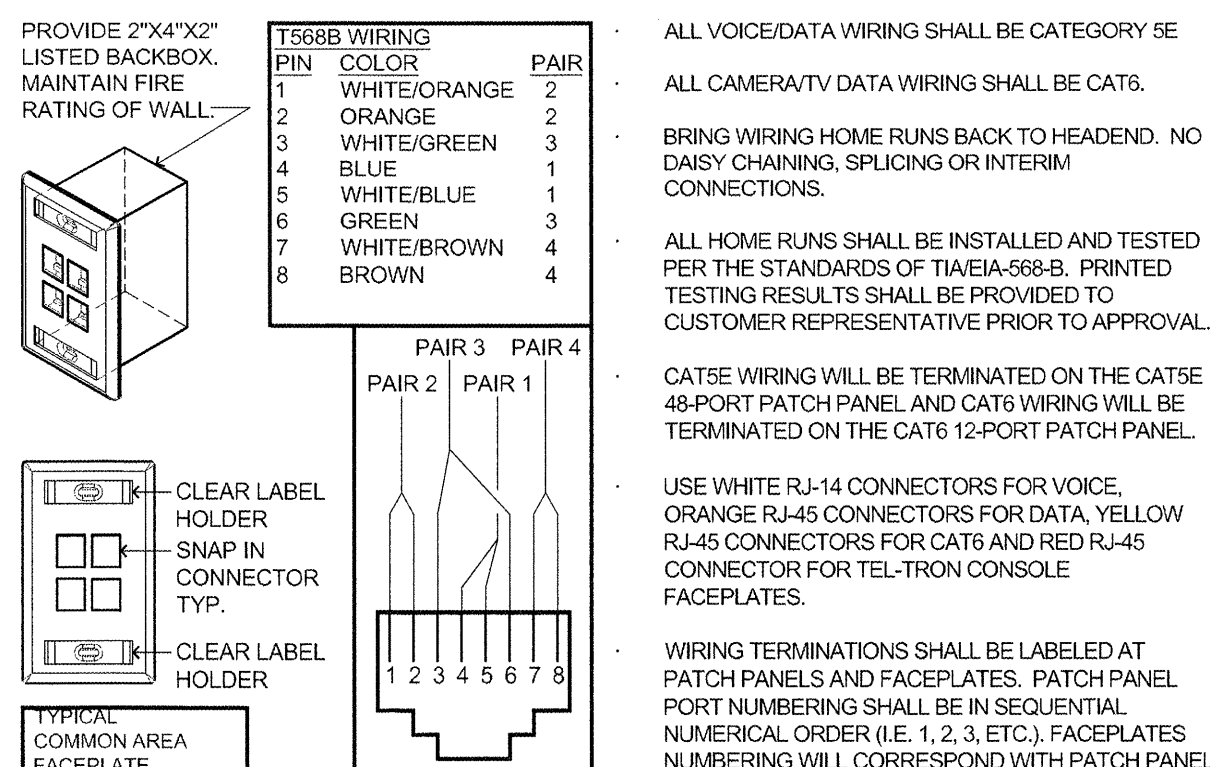


1 ELEVATOR FIRE SERVICE 4 STORY

SCALE: N.T.S.

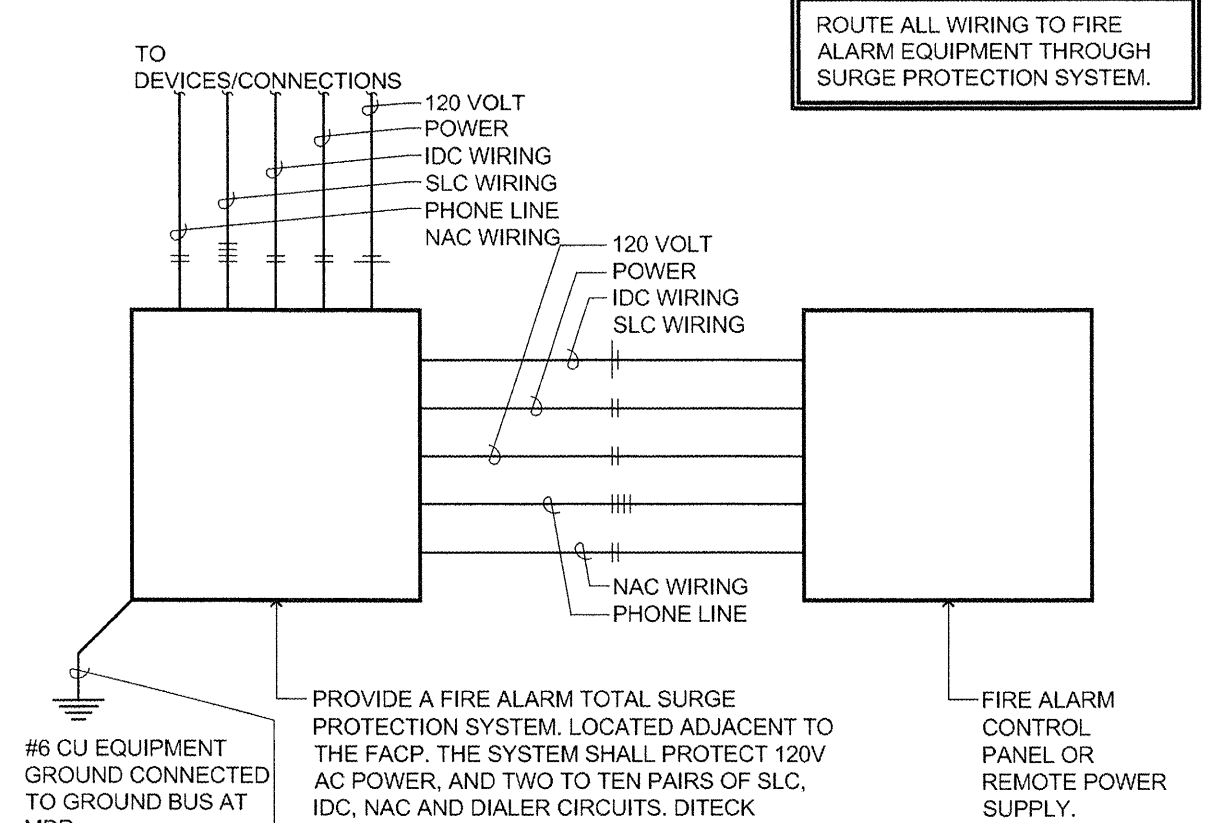
19 LOW VOLTAGE CONDUIT FLOOR TO FLOOR

SCALE: NOT TO SCALE



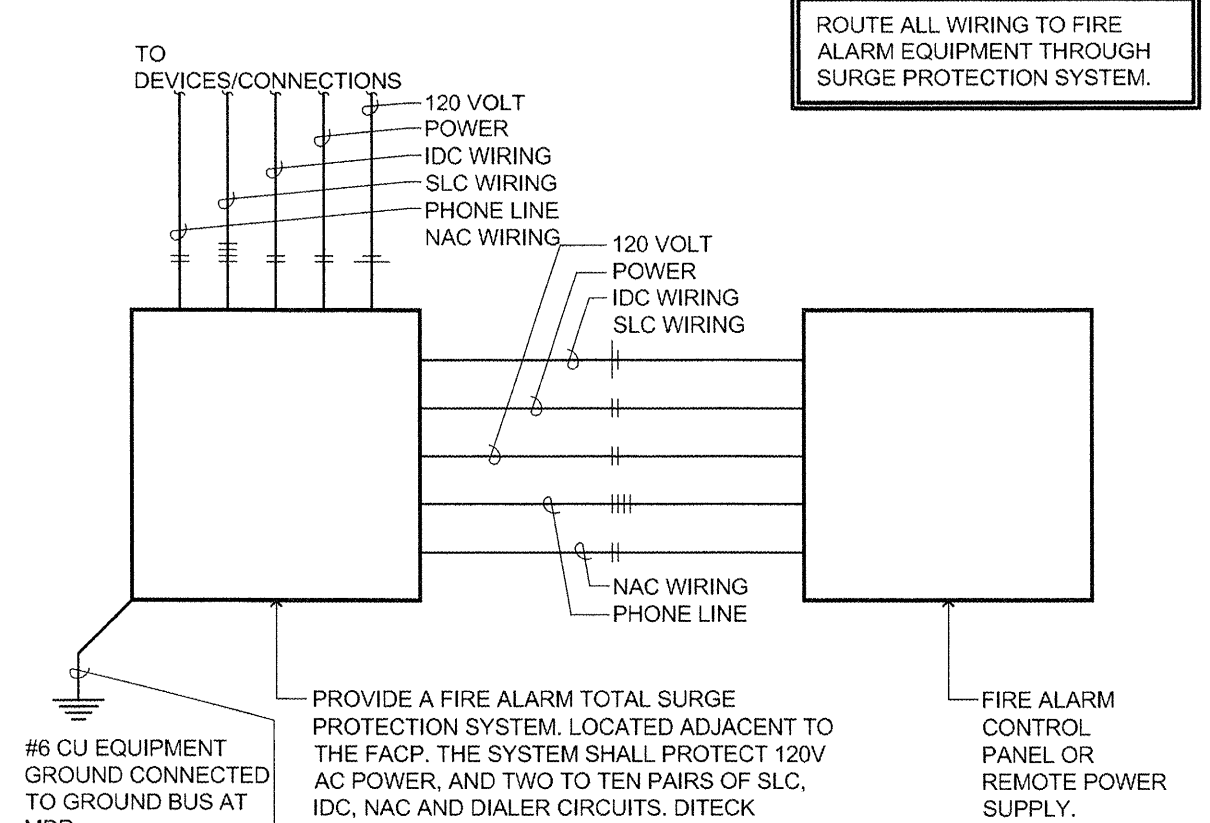
18 TYPICAL FACEPLATE DETAIL DATA AND TELEPHONE

SCALE: N.T.S.



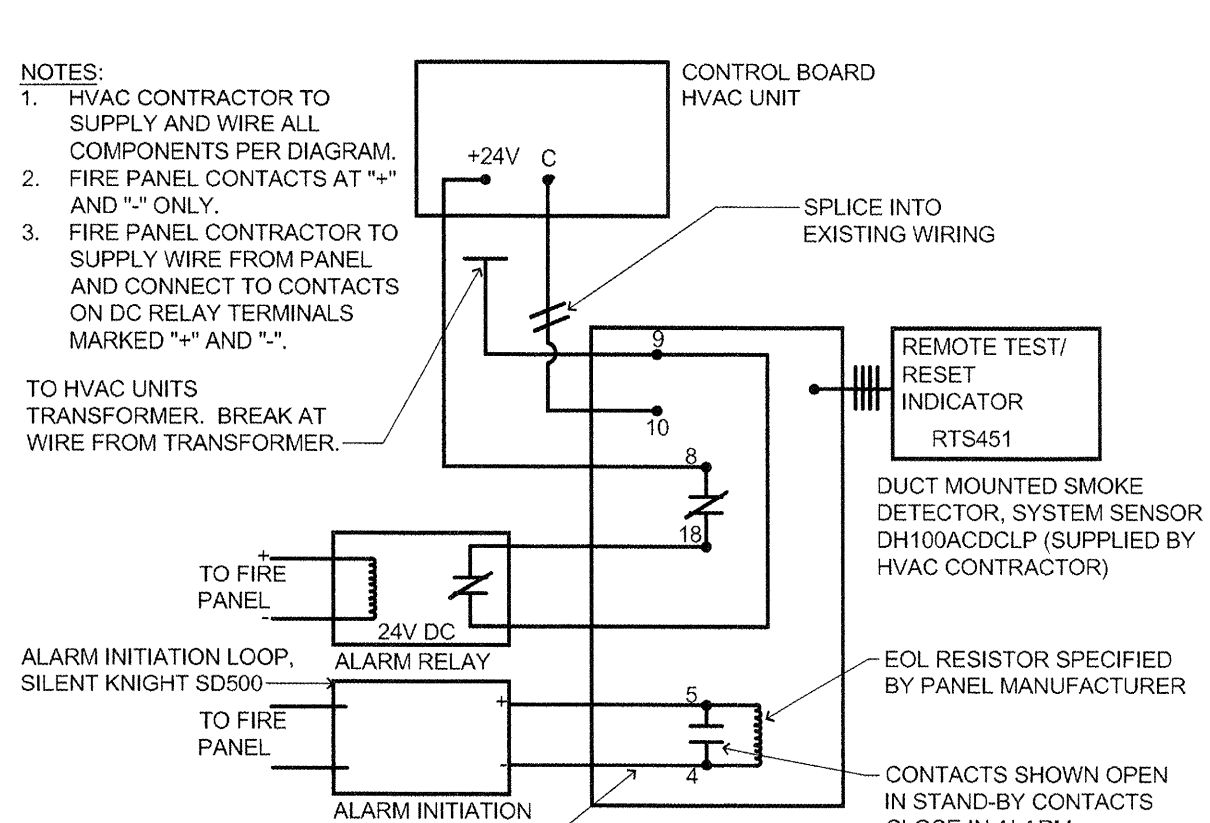
17 SURGE PROTECTION FIRE ALARM SYSTEM

SCALE: NOT TO SCALE



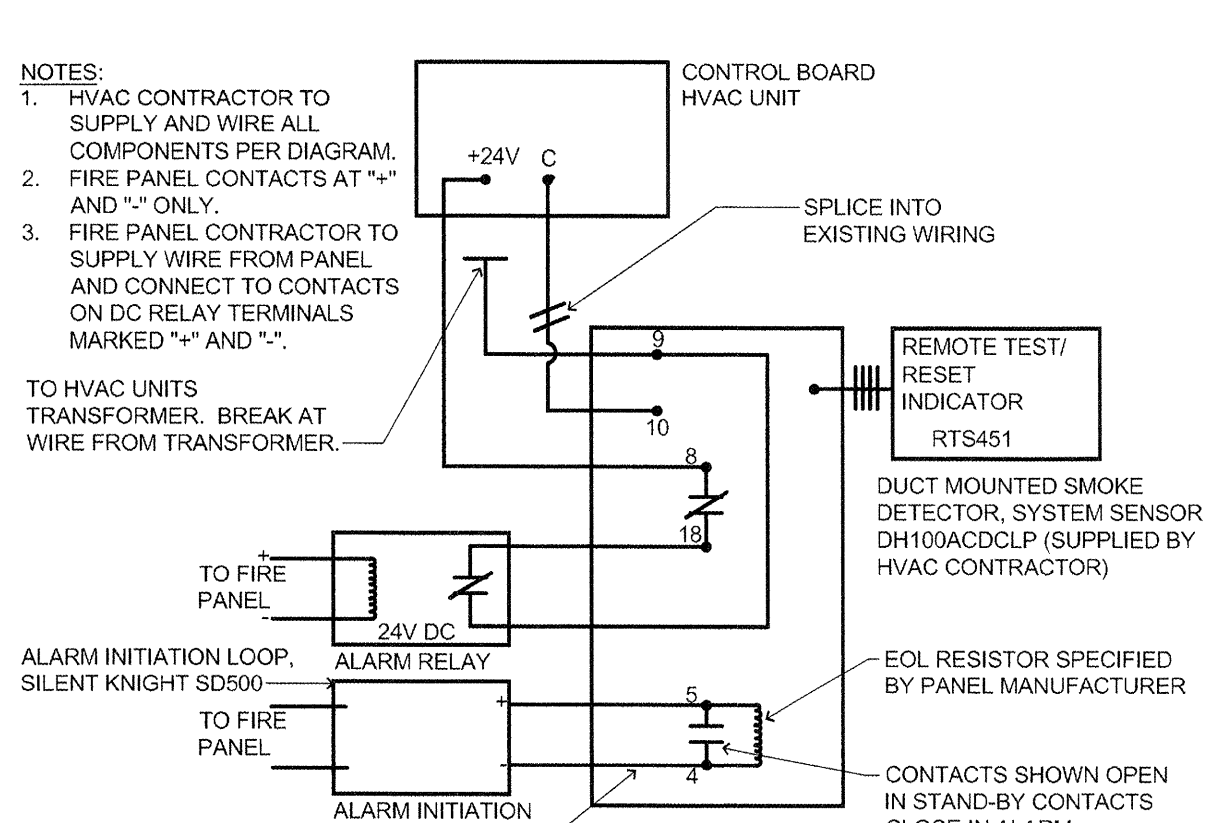
14 ELEV. SYSTEM FIRE ALARM

SCALE: NOT TO SCALE



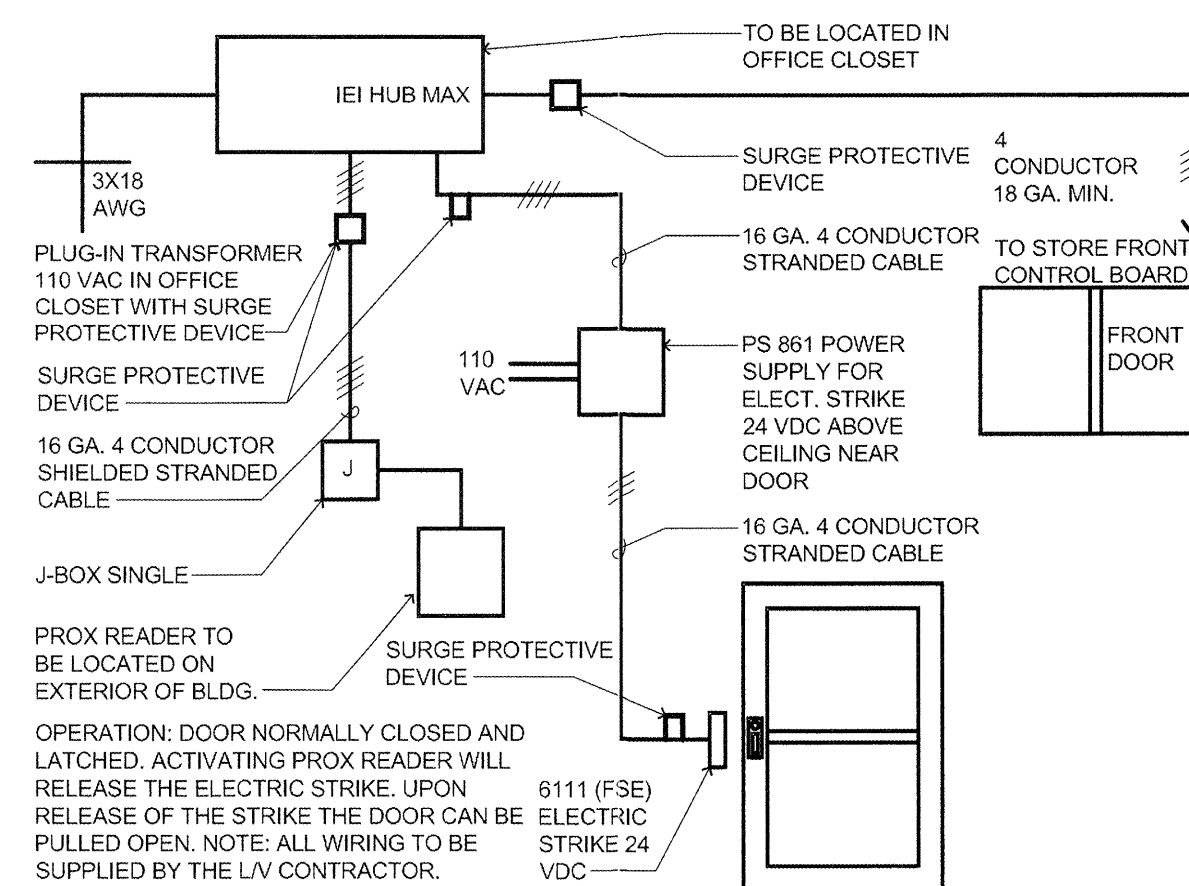
13 FIRE ALARM/AC UNIT SHUTDOWN

SCALE: N.T.S.



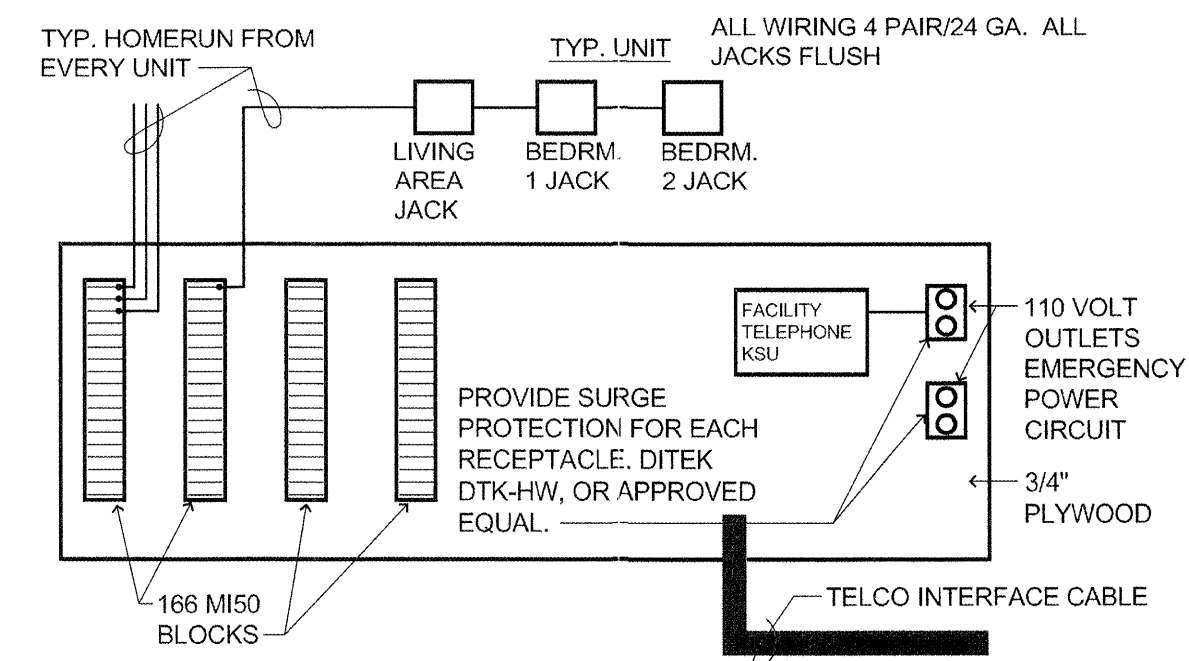
8 DINING / ACTIVITY PA SPEAKERS

SCALE: NOT TO SCALE



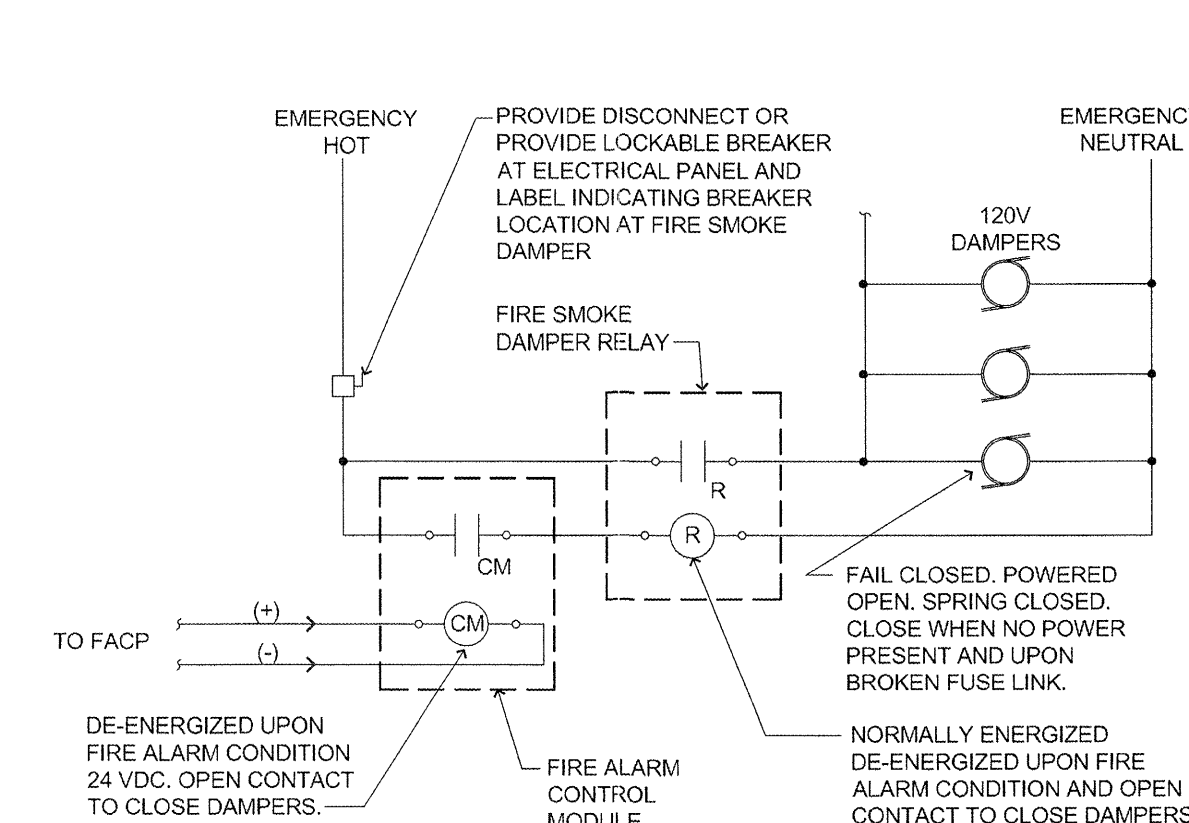
7 ACCESS DOOR CARD READER SYSTEM HUB MAX SYSTEM

SCALE: NOT TO SCALE



6 RESIDENT UNIT TELEPHONE WIRING

SCALE: NOT TO SCALE

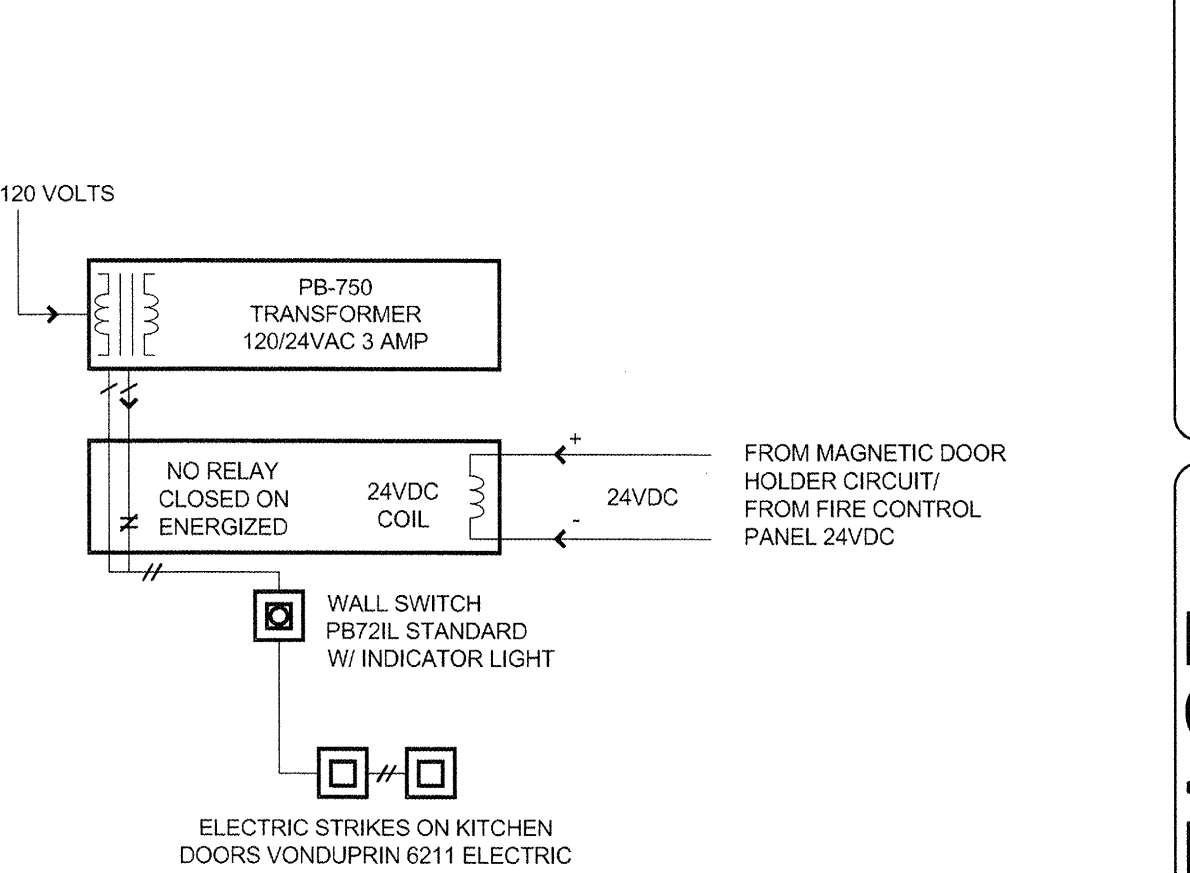


5 FIRE/SMOKE DAMPER CONTROL

SCALE: N.T.S.

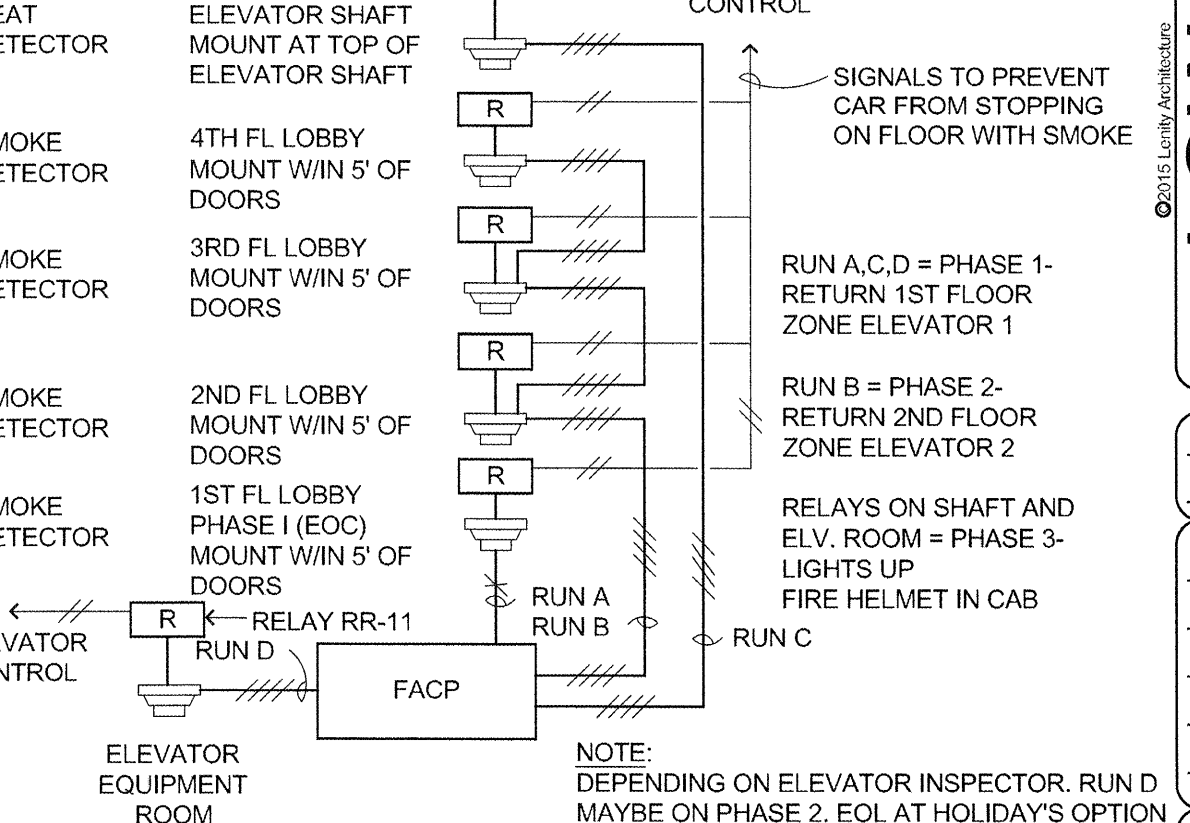
3 ROOM SMOKE/CO DETECTOR

SCALE: N.T.S.



2 ELECTRONIC STRIKE (POWER SYSTEM)

SCALE: NOT TO SCALE



1 ELEVATOR FIRE SERVICE 4 STORY

SCALE: N.T.S.



lenity
architecture

3150 Lettie Court SE, Salem, Oregon 97301
503.399.1090 #503.399.0585

COLSON AND COLSON
GENERAL CONTRACTOR, INC.

2280 McGLICHRIST STREET SE, SUITE 200
SALEM, OREGON, 97302
PHONE (503) 586-7401

PORTLAND
RETIREMENT RESIDENCE

802 OCEAN AVE. PORTLAND, MAINE 04103

LOW VOLTAGE
DIAGRAMS/
DETAILS

DATE: 8/28/2015

REVISED DATE:

SHEET E4.2