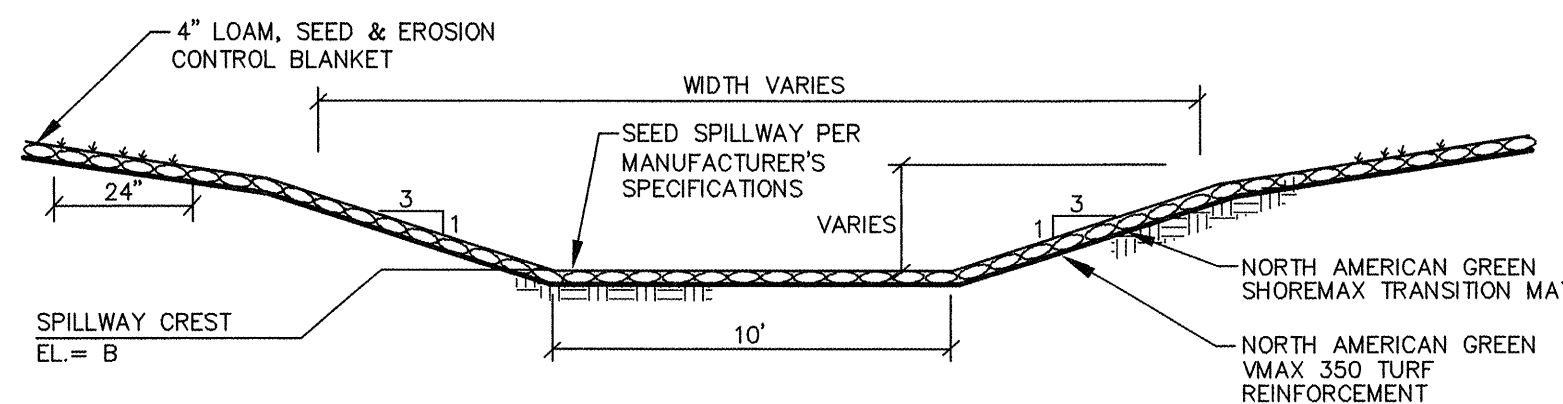


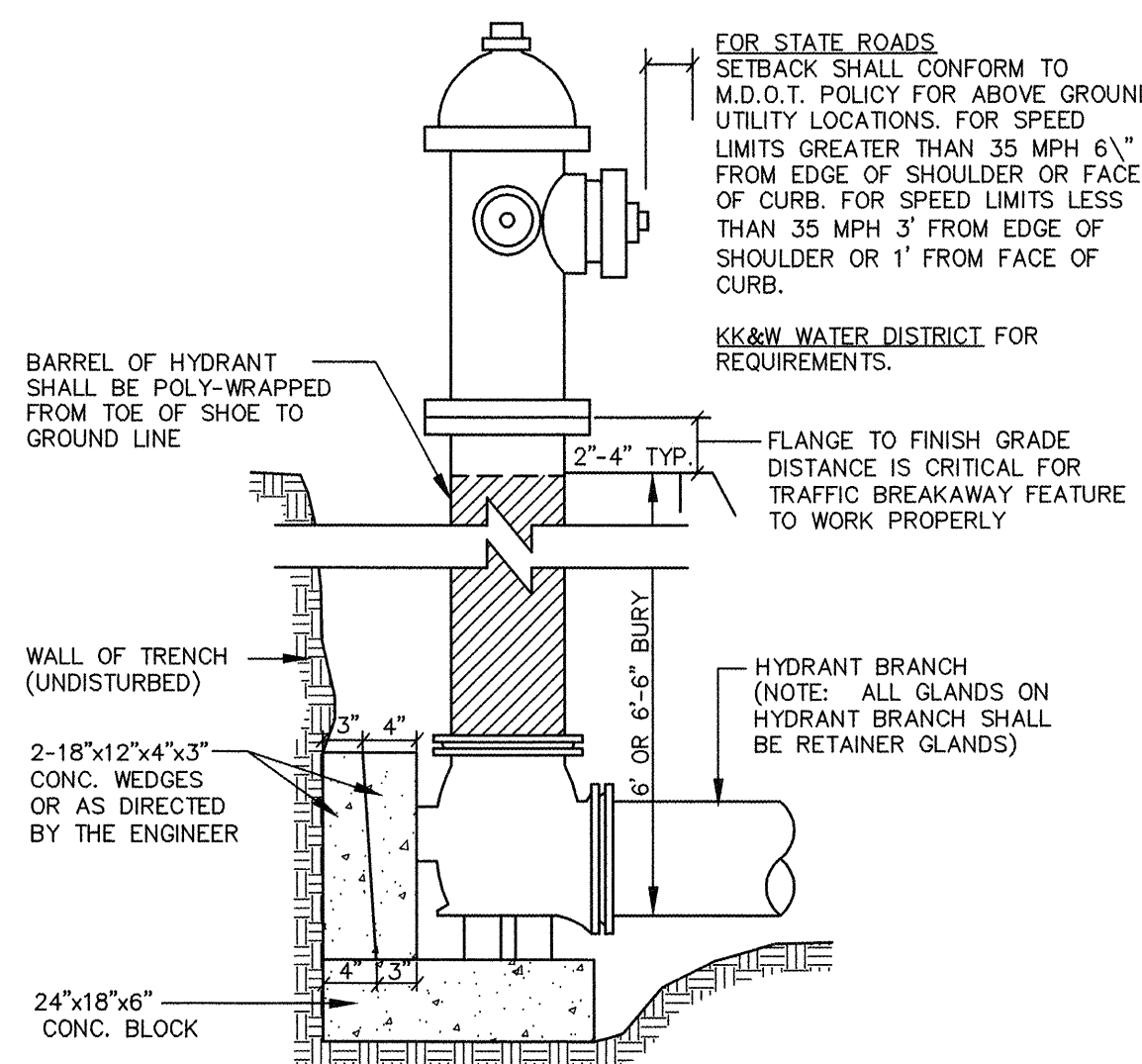
**EMBAKMENT CONSTRUCTION**

1. CONSTRUCTION OF COMMON BORROW MATERIAL MEETING M.D.O.T. SPECIFICATION.
2. PLACE BORROW MATERIAL IN 12" LIFTS, COMPACTED TO 95% OF MAXIMUM DRY DENSITY.
3. EROSION CONTROL MESH WHERE SPECIFIED ON PLANS.
4. LOAM, SEED, AND STABILIZE IN ACCORDANCE WITH SEDIMENTATION AND EROSION CONTROL PLAN.

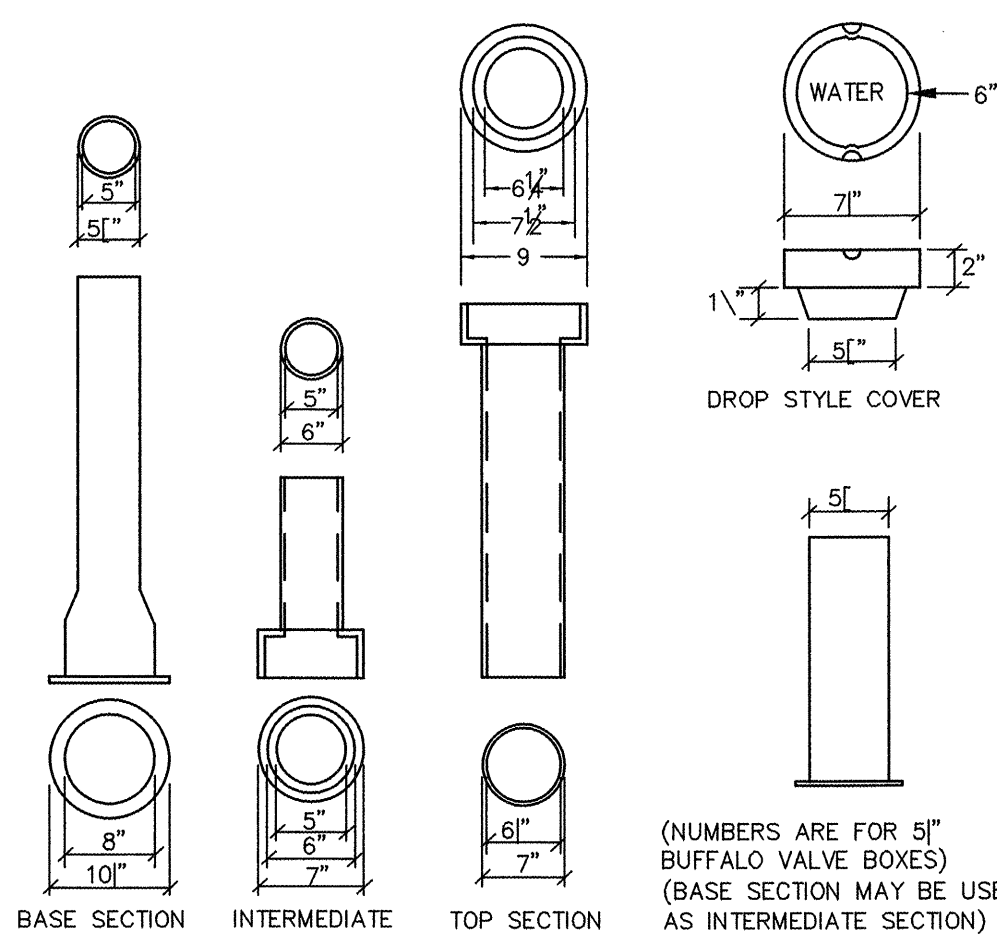
**1 SPILLWAY SECTION**  
NOT TO SCALE



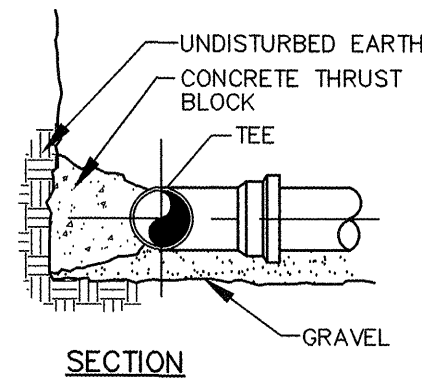
**2 EMERGENCY SPILLWAY CROSS-SECTION**  
NOT TO SCALE



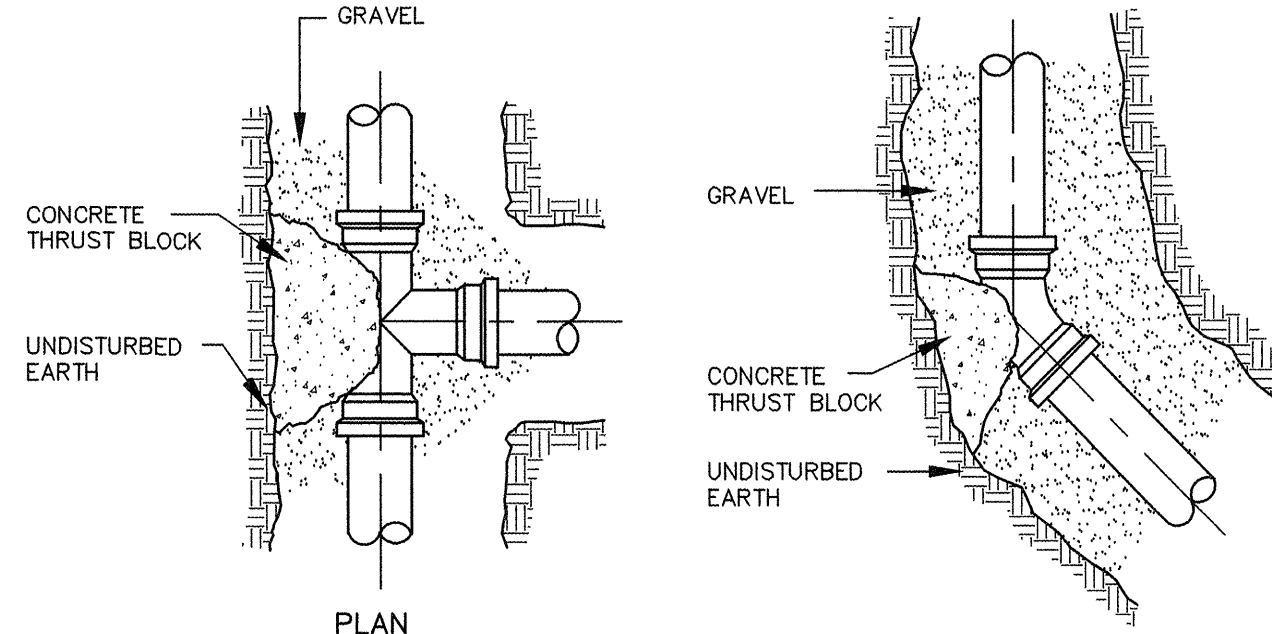
**3 TYPICAL HYDRANT INSTALLATION**  
NOT TO SCALE



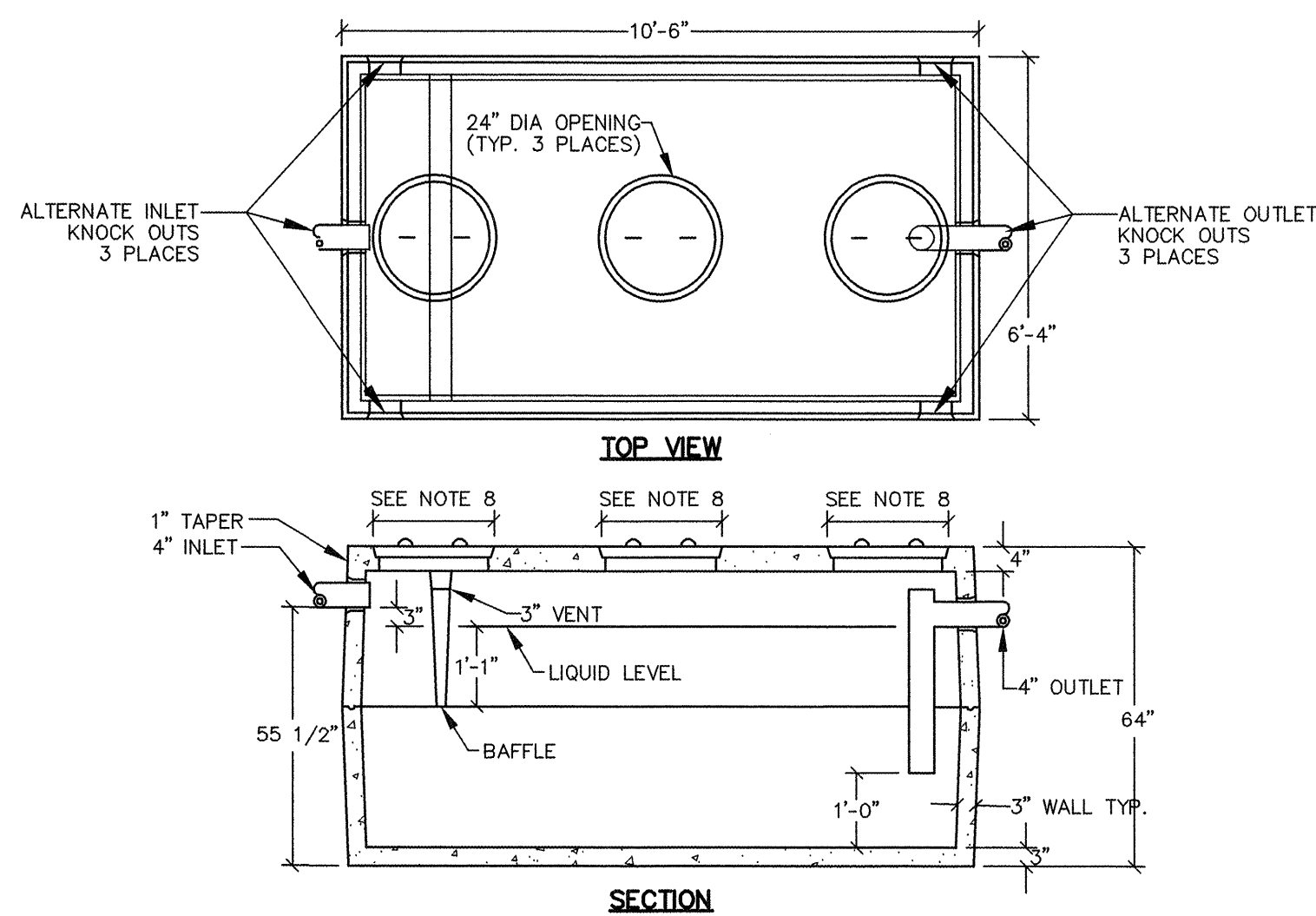
**4 VALVE BOX & COVER**  
NOT TO SCALE



FITTINGS	CONCRETE THRUST BLOCK SIZE REQUIREMENTS		
	90° BENDS	45° BENDS	TEES AND PLUGS
PIPE SIZE 6"	4.0	2.0	3.0
8"	8.0	4.0	6.0
12"	15	10	10

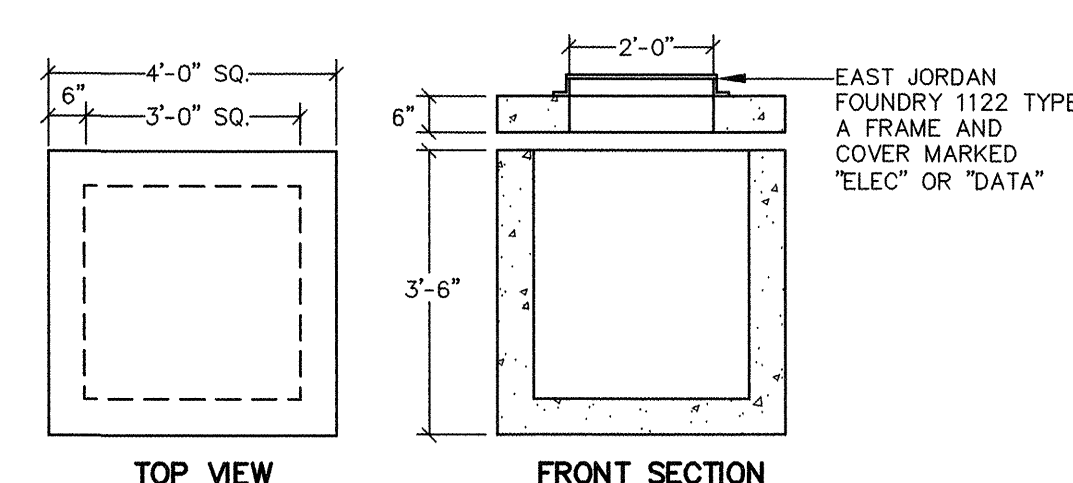


**5 WATER TEE & BEND DETAIL**  
NOT TO SCALE



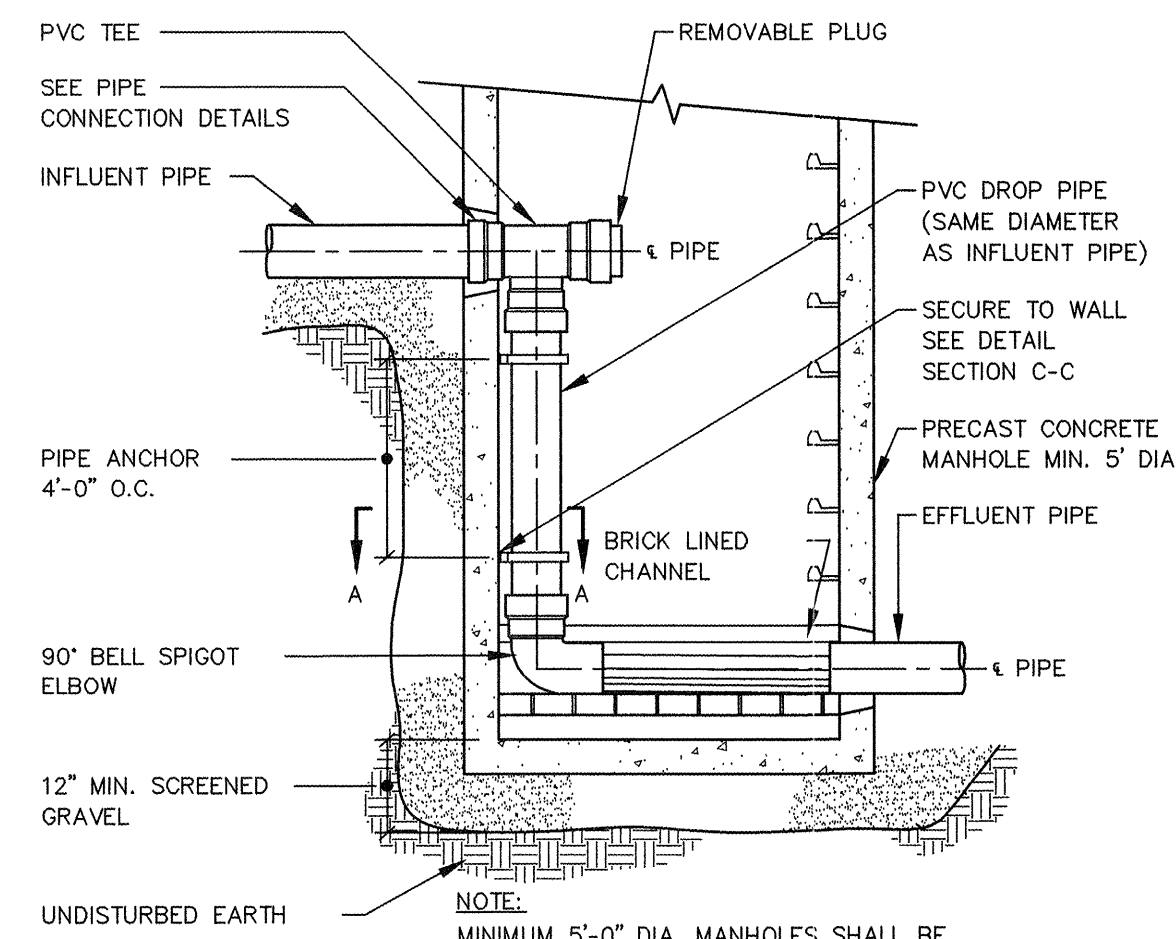
- NOTES:**
1. STRUCTURE SHALL BE 1,500 GALLON GREASE TRAP AS MANUFACTURED BY PRECAST CONCRETE PRODUCTS OF MAINE, INC. (ITEM #A-904) OR APPROVED EQUAL.
  2. CONCRETE 4000 PSI AT 28 DAYS.
  3. INLET BAFFLE IS PRECAST AS ONE UNIT WITH THE TOP SECTION OF THE SEPTIC TANK.
  4. TANKS REINFORCED WITH 6X6X10 G.A. WIRE.
  5. KEYED JOINTS SEALED WITH ASPHALT SEALANT.
  6. HEAVY DUTY SEPTIC TANK TOPS REINFORCED WITH 1/2" REBAR ON 6" CENTERS EACH WAY.
  7. GREASE FILTER AVAILABLE.
  8. PROVIDE PRECAST SECTIONS AND EAST JORDAN FOUNDRY 1122 TYPE A FRAME AND COVER MARKED "SEWER"

**6 1,500 GALLON GREASE TRAP**  
NOT TO SCALE

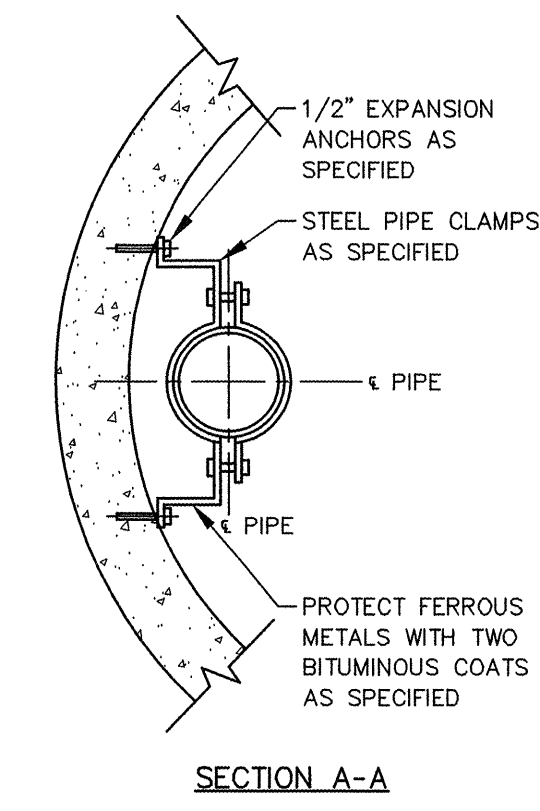


- NOTES:**
1. STRUCTURE SHALL BE 3" SQ UTILITY BOX WITH 6" WALLS AS MANUFACTURED BY PRECAST CONCRETE PRODUCTS OF MAINE, INC. (ITEM #B-14) OR APPROVED EQUAL.
  2. CONCRETE 4000 PSI AT 28 DAYS.
  3. STRUCTURE TO BE H-20 LOADED.
  4. OPENINGS AS NEEDED.

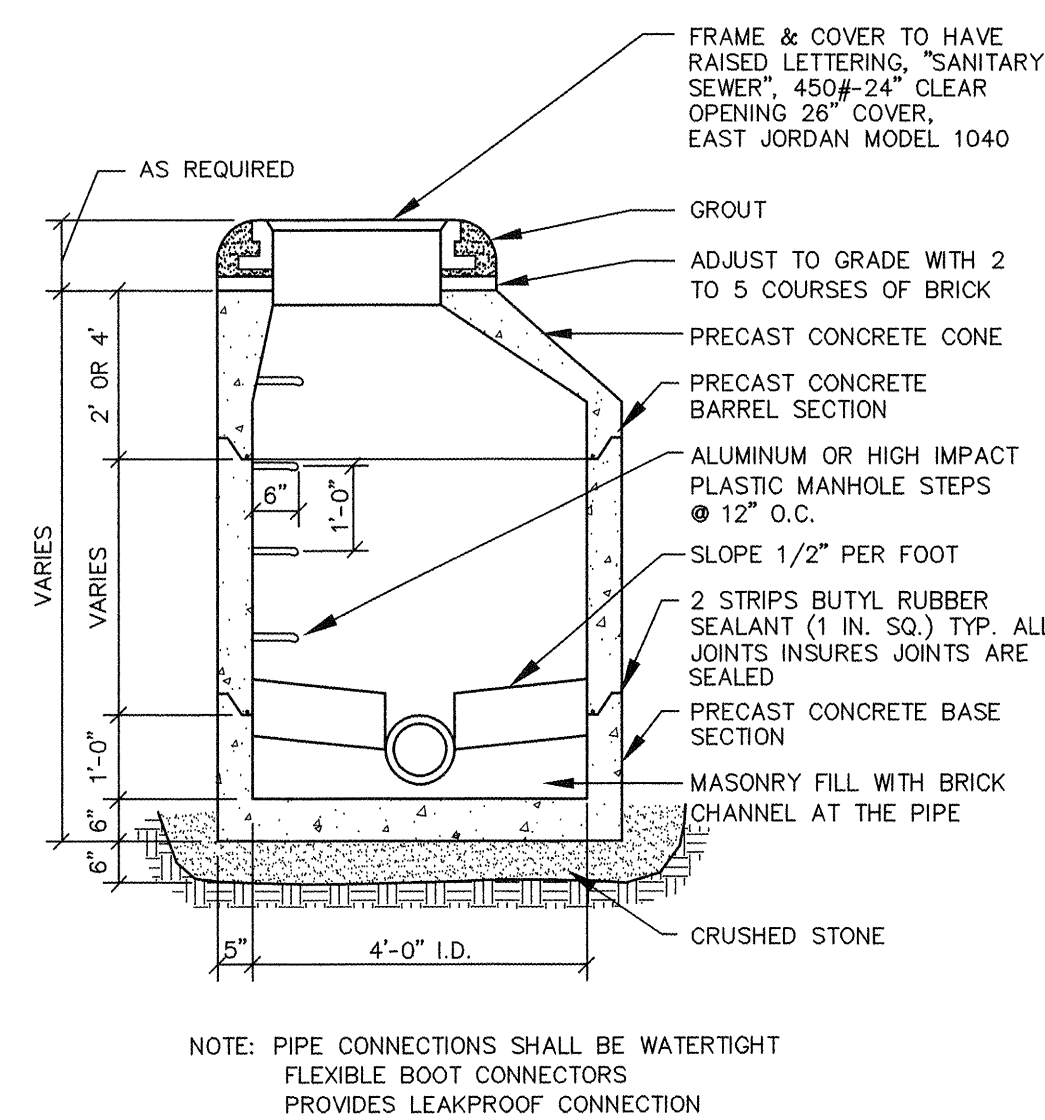
**7 UTILITY PULL BOX**  
NOT TO SCALE



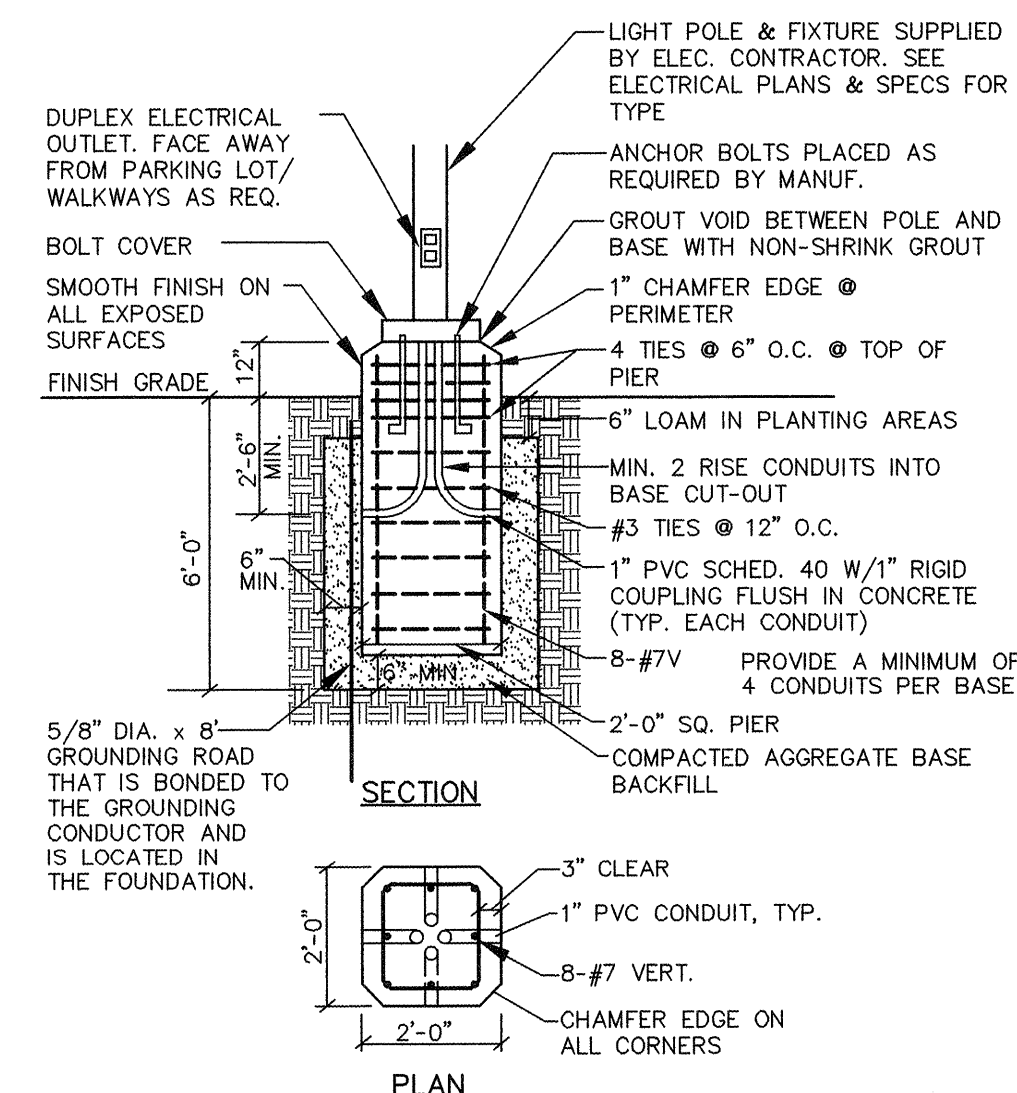
**8 PVC DROP CONNECTION (INTERNAL)**  
NOT TO SCALE



**11 PRESSURE TREATED WOOD GUARDRAIL**  
NOT TO SCALE

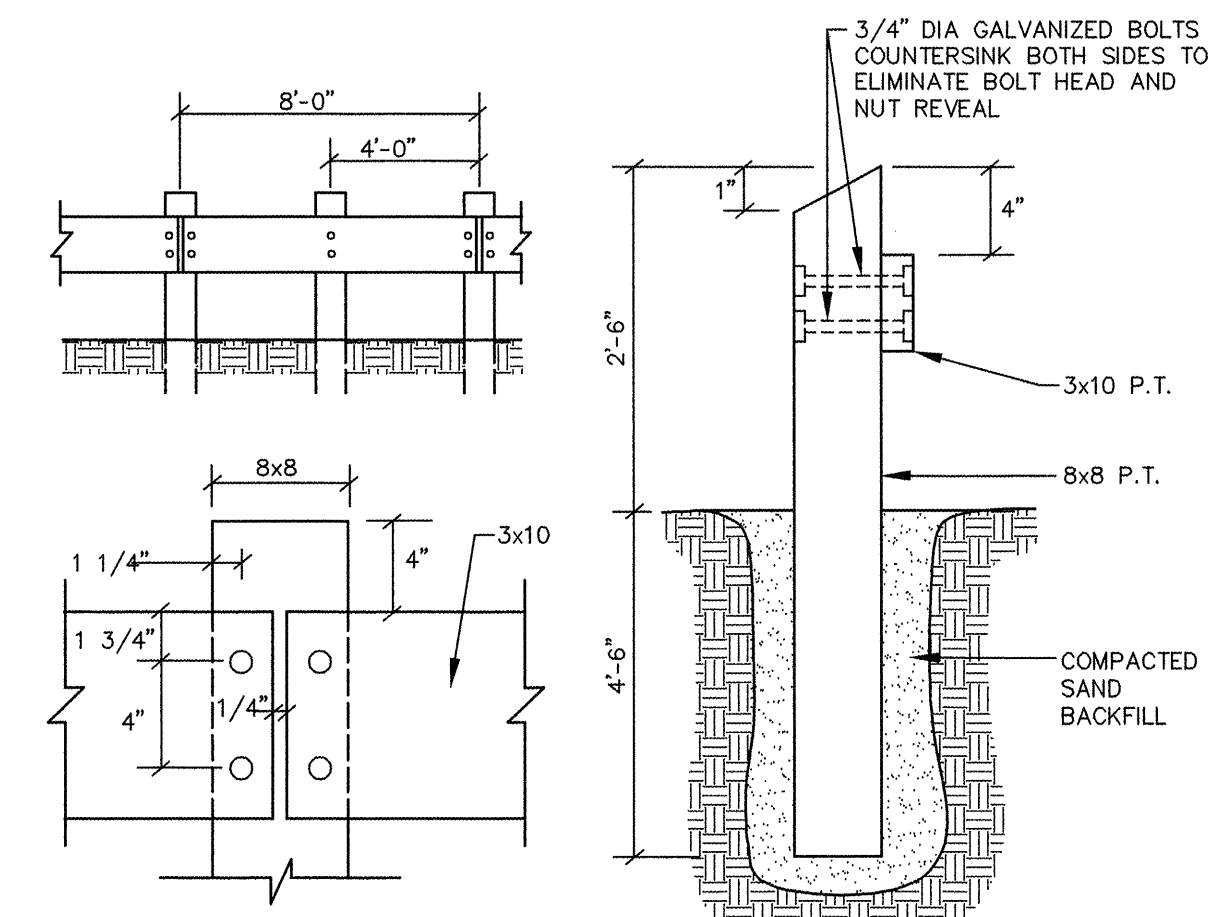


**9 PRECAST MANHOLE**  
NOT TO SCALE

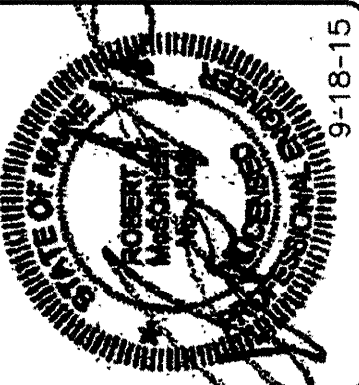


- NOTES:**
1. CONCRETE f'c=4000 psi.
  2. REINF. STEEL GRADE 60 NEW BARS.
  3. CONCRETE 3/4" AGG., 6 +/- 1% ENTRAINED AIR.
  4. PROVIDE 2 COATS BITUMINOUS DAMPROOFING FOR ALL CONCRETE BELOW GRADE.
  5. INSTALL BASE 3"-0" ABOVE FINISH GRADE IN LOCATIONS WHERE POLES ARE IN PARKING LOT PAVEMENT.
  6. BID ALT. - CONTRACTOR MAY SUBSTITUTE PRECAST CONCRETE LIGHT POLE BASE EQUAL TO ABOVE SPEC.

**10 LIGHT POLE BASE**  
NOT TO SCALE



**12 TYPICAL DUMPSTER ENCLOSURE**  
NOT TO SCALE



DESIGNED	CHECKED
PDO	RAM
A. RAM 9-18-15 PLAN SUBMISSION TO CITY OF PORTLAND	
REV. BY:	DATE:
STATUS: THIS PLAN SHALL NOT BE MODIFIED WITHOUT WRITTEN PERMISSION FROM SEBAGO TECHNICS, INC. ANY ALTERATIONS AUTHORIZED OR OTHERWISE, SHALL BE AT THE USER'S SOLE RISK AND WITHOUT LIABILITY TO SEBAGO TECHNICS, INC.	

**SEBAGO TECHNICS**  
WWW.SEBAGO/TECHNICS.COM  
75 John Roberts Rd., Site 1A, LE 04106  
South Portland, ME 04240  
Leipzig, ME 04240  
Tel. 207-200-2100  
Tel. 207-783-5656

**DETAILS OF:** PORTLAND RETIREMENT RESIDENCE  
802 OCEAN AVENUE  
PORTLAND, ME  
**FOR:** HAWTHORN DEVELOPMENT GROUP, LLC  
9310 NE VANCOUVER MALL DR., STE200  
VANCOUVER, WA 98662-8210

PROJECT NO.	SCALE
14432	NTS

SHEET 12 OF 14