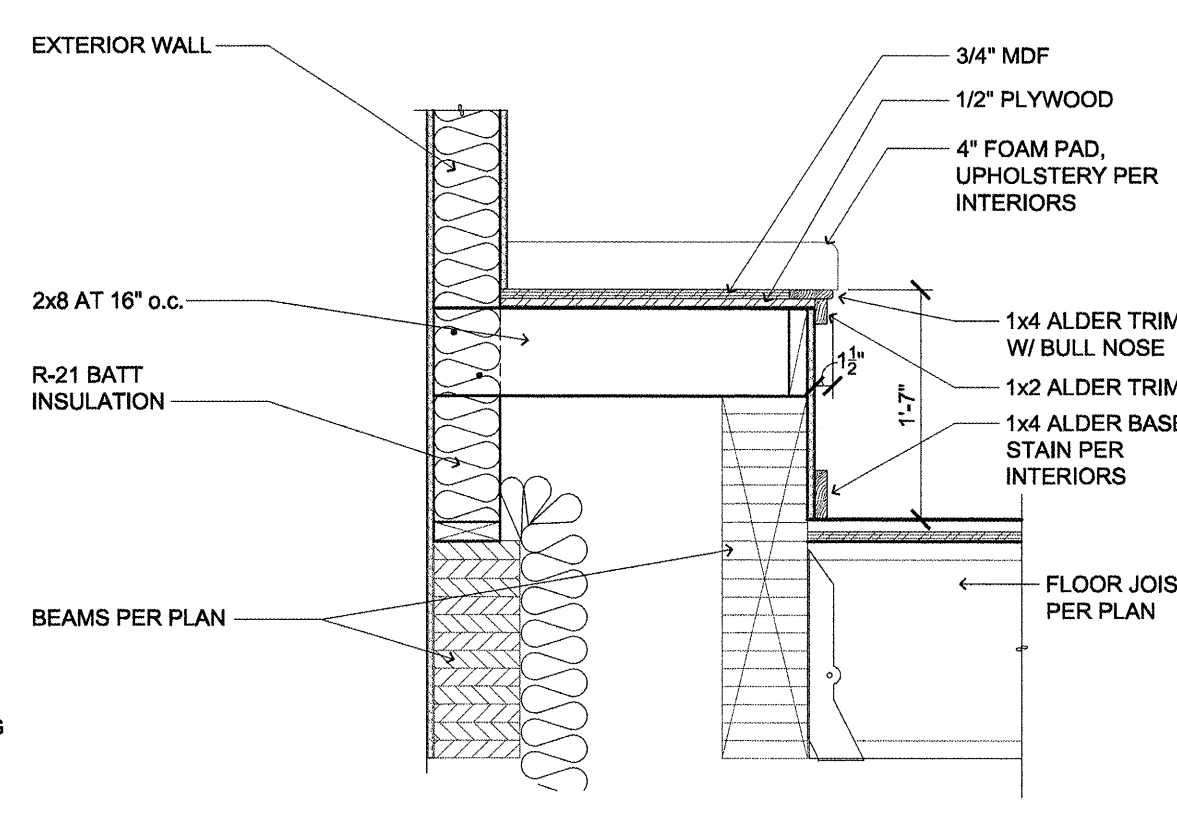
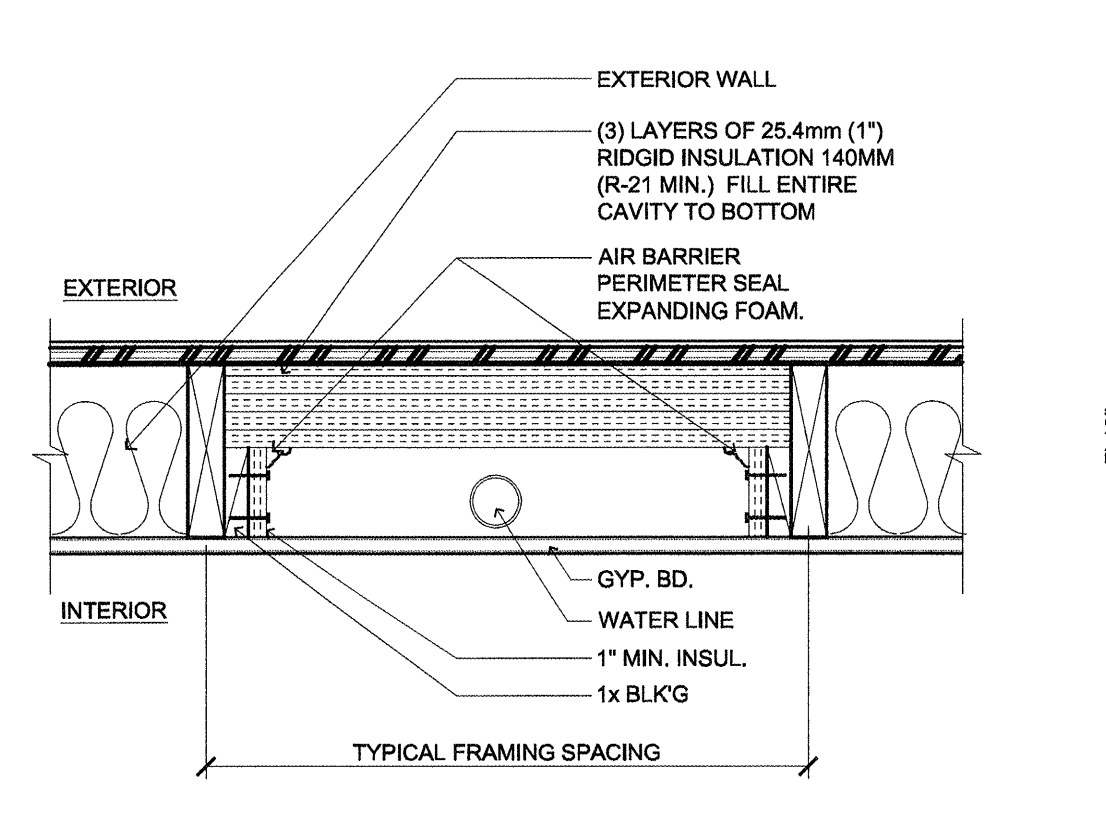


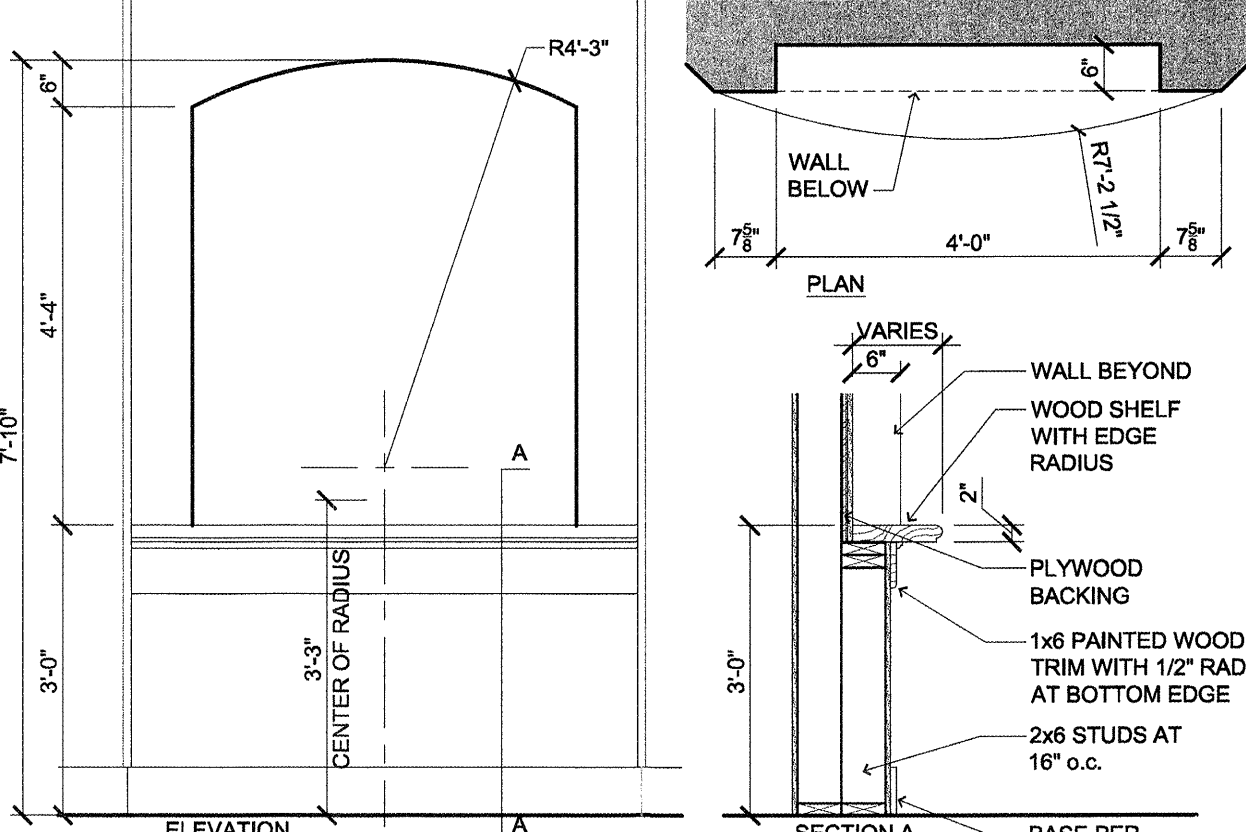
19 SUSPENDED ACOUSTIC CEILING
(ACOUSTIC TILE SUSPENSION)
SCALE: N.T.S.



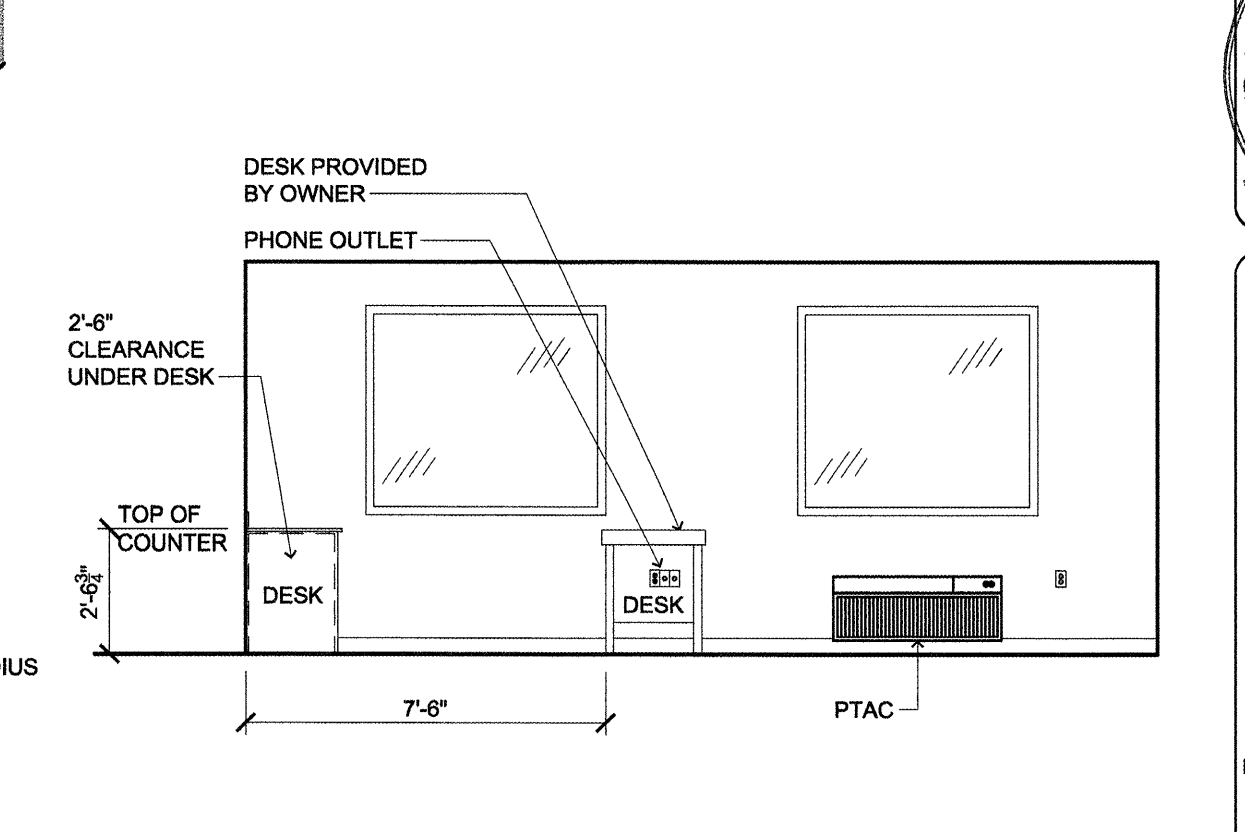
15 TV ROOM BENCH
(SECTION)
SCALE: 3/4" = 1'-0"



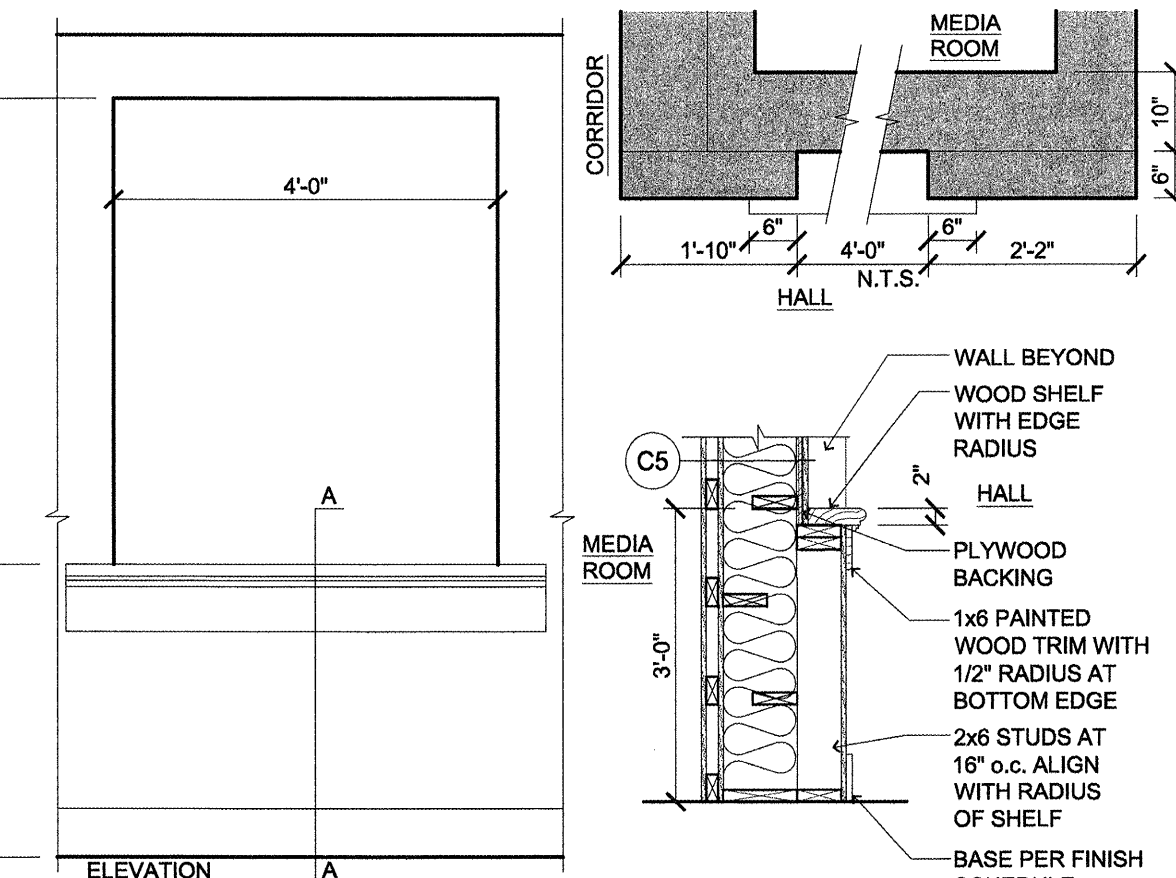
11 INSTALLATION DETAIL
(FREEZE PROTECTION)
SCALE: 1-1/2" = 1'-0"



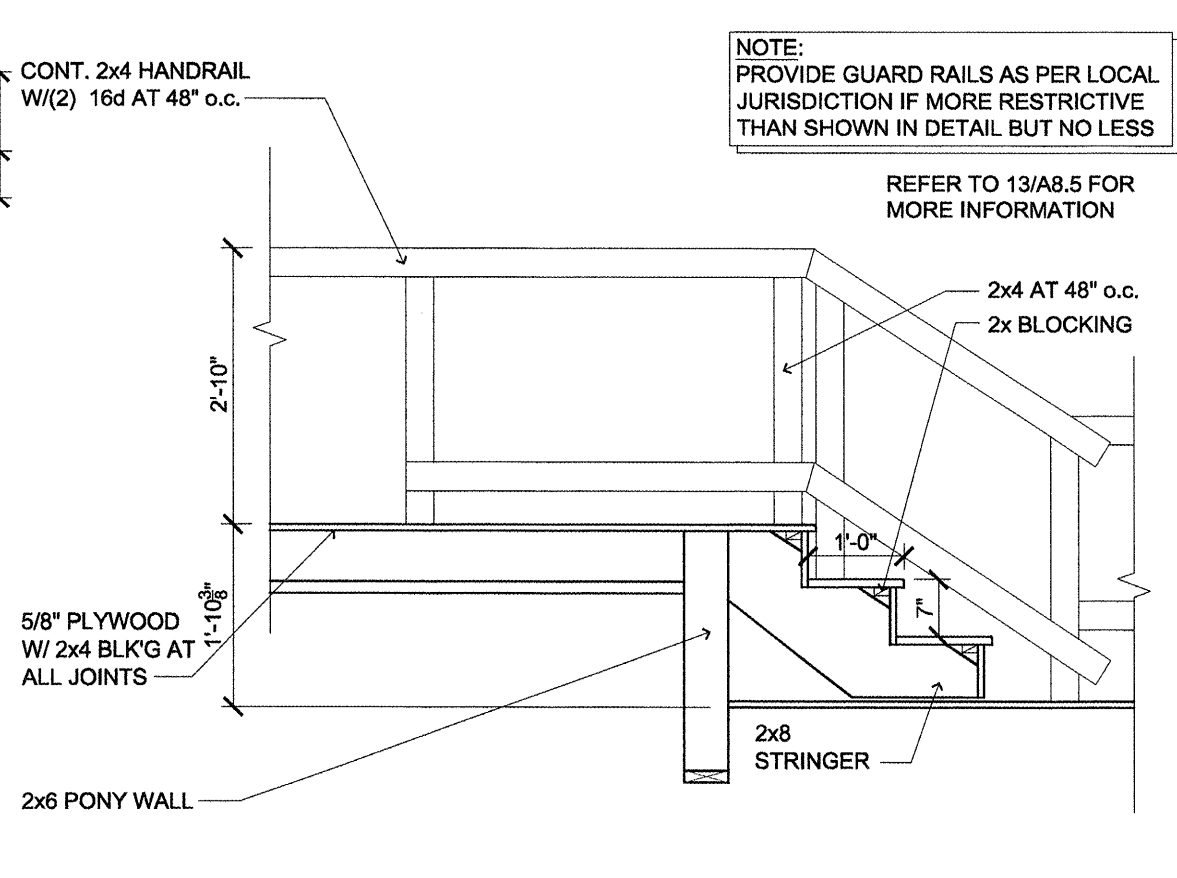
8 WALL RECESS
(PLAN / SECTION / ELEVATION)
SCALE: 1/2" = 1'-0"



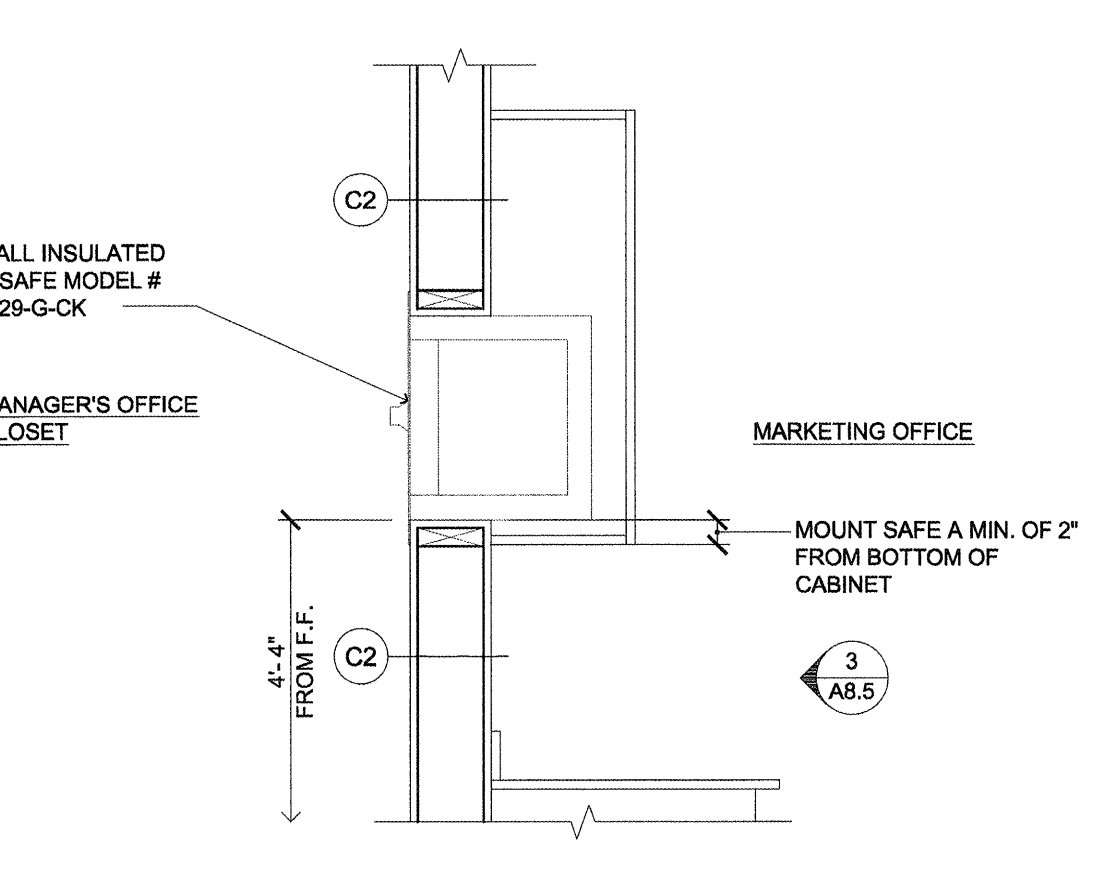
4 OFFICE
(ELEVATION)
SCALE: 1/4" = 1'-0"



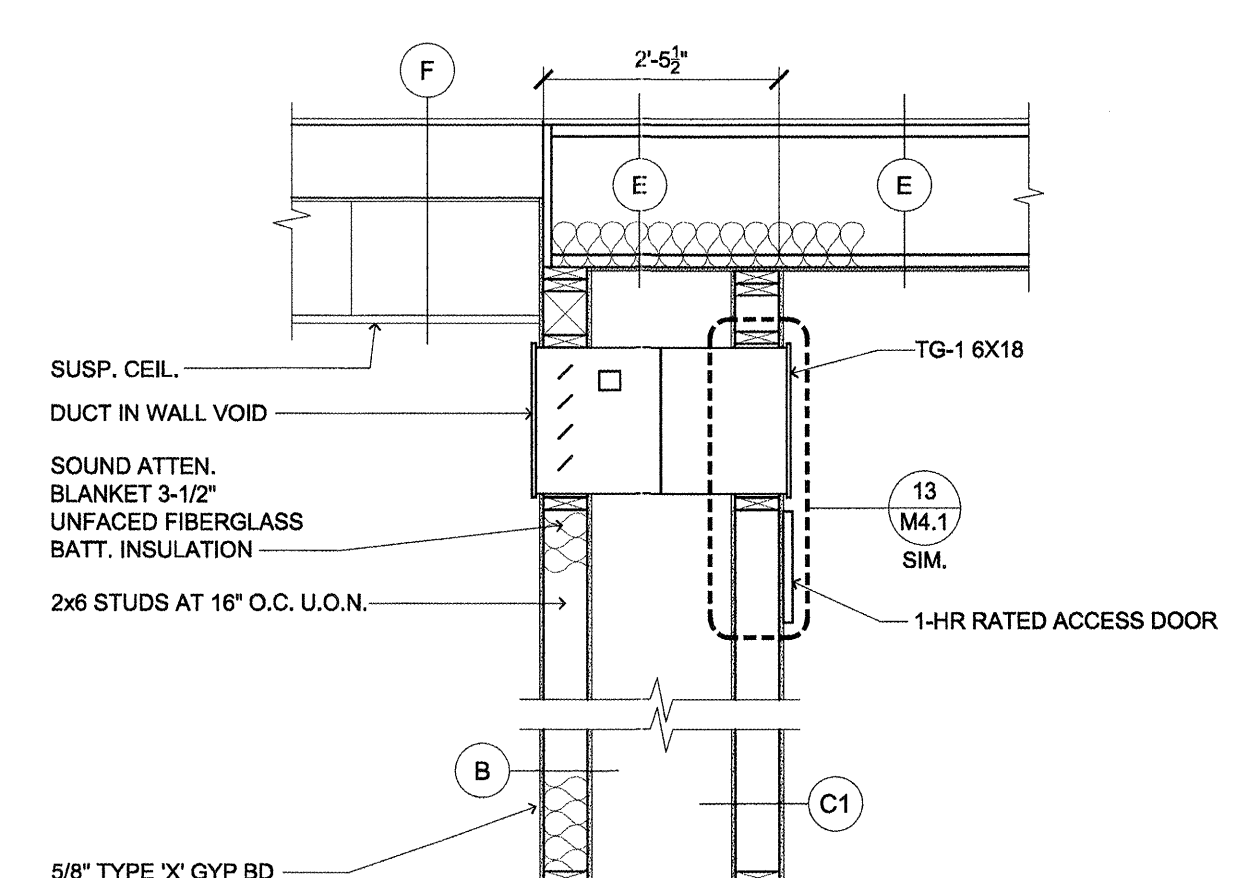
18 WALL RECESS
(PLAN / SECTION / ELEVATION)
SCALE: 1/2" = 1'-0"



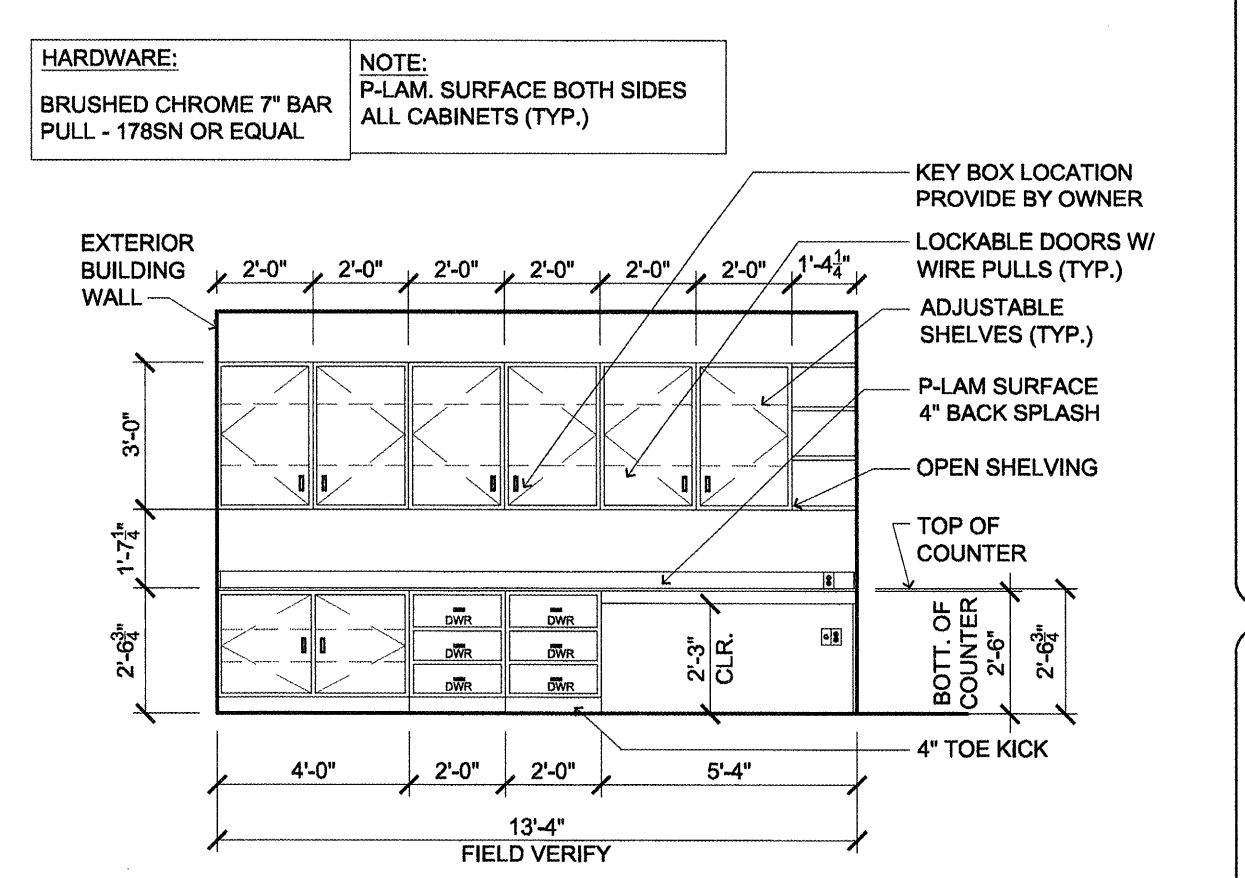
14 STAIRS
(AT ATTIC CATWALK)
SCALE: 1/2" = 1'-0"



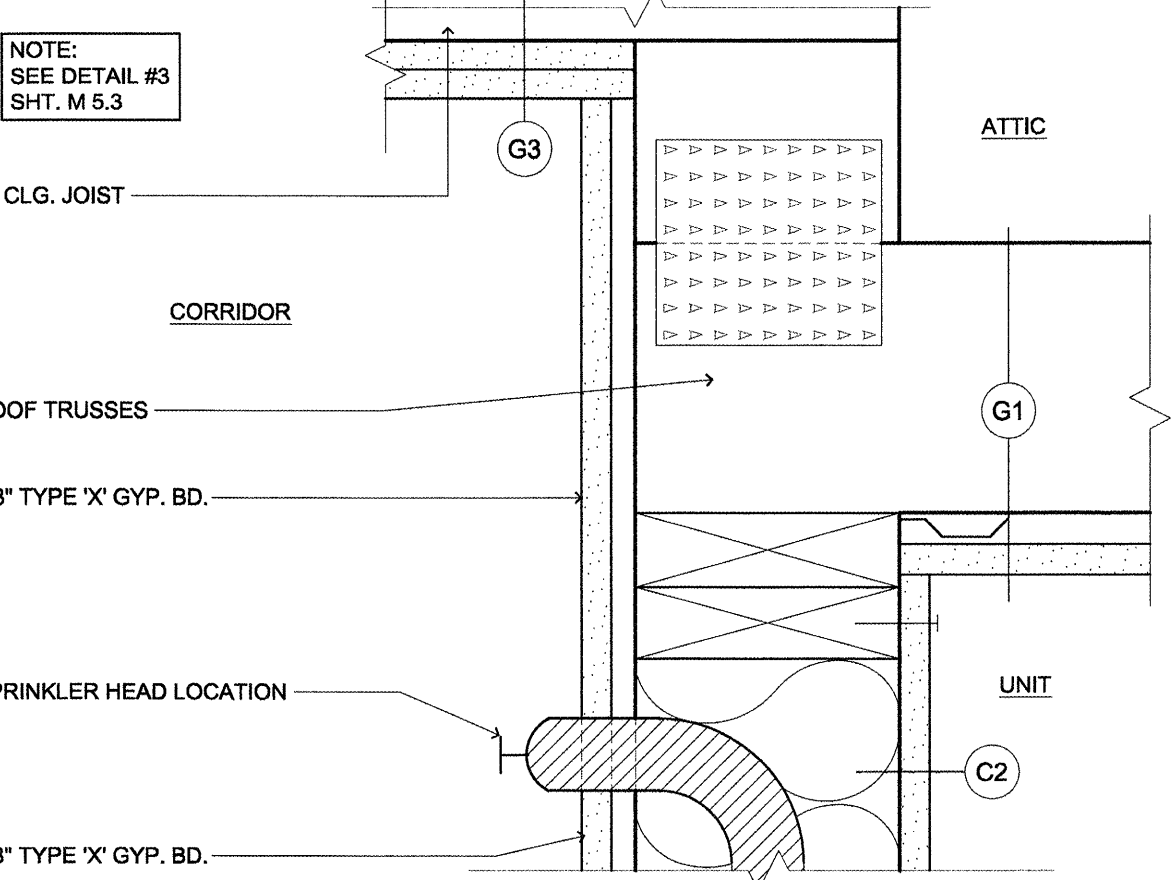
10 WALL SAFE
(AT MANAGERS CLOSET)
SCALE: 3/4" = 1'-0"



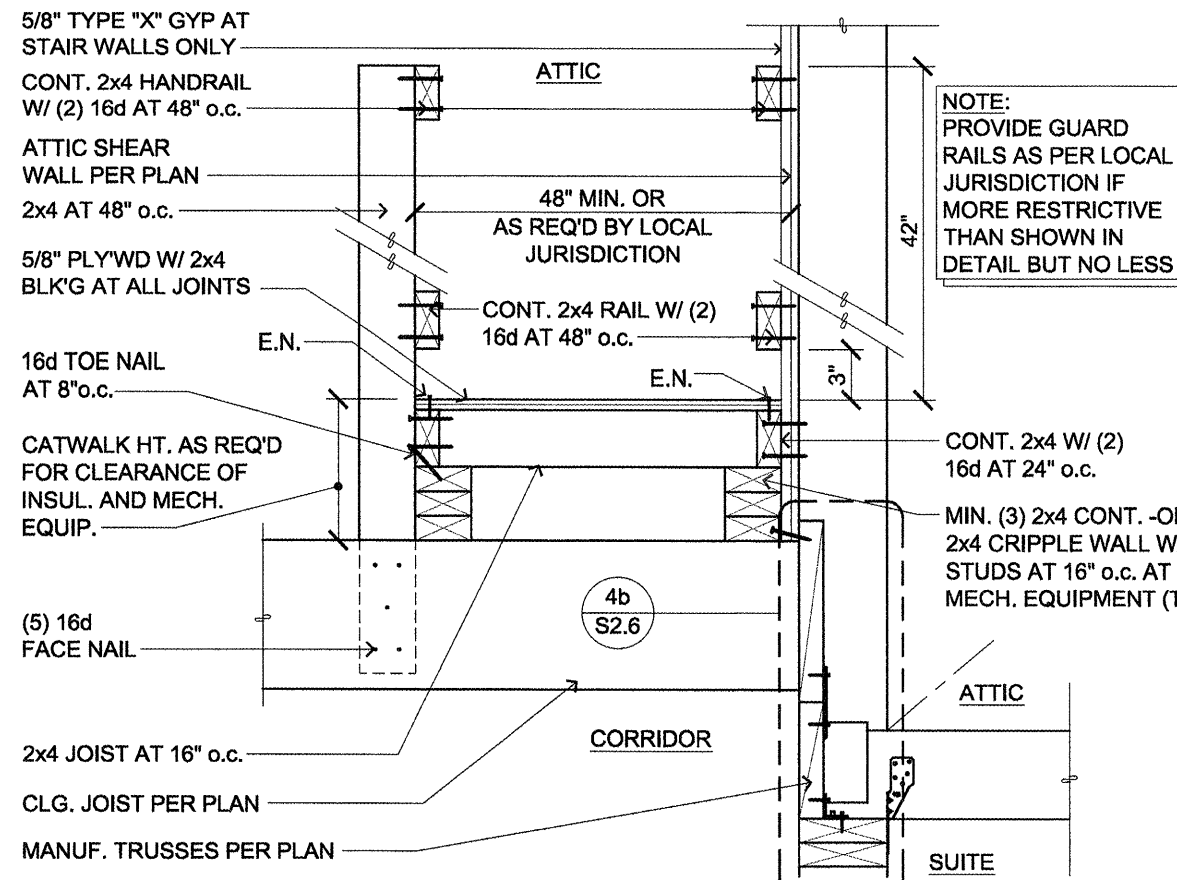
3 MARKETING ROOM
(ELEVATION)
SCALE: 1/4" = 1'-0"



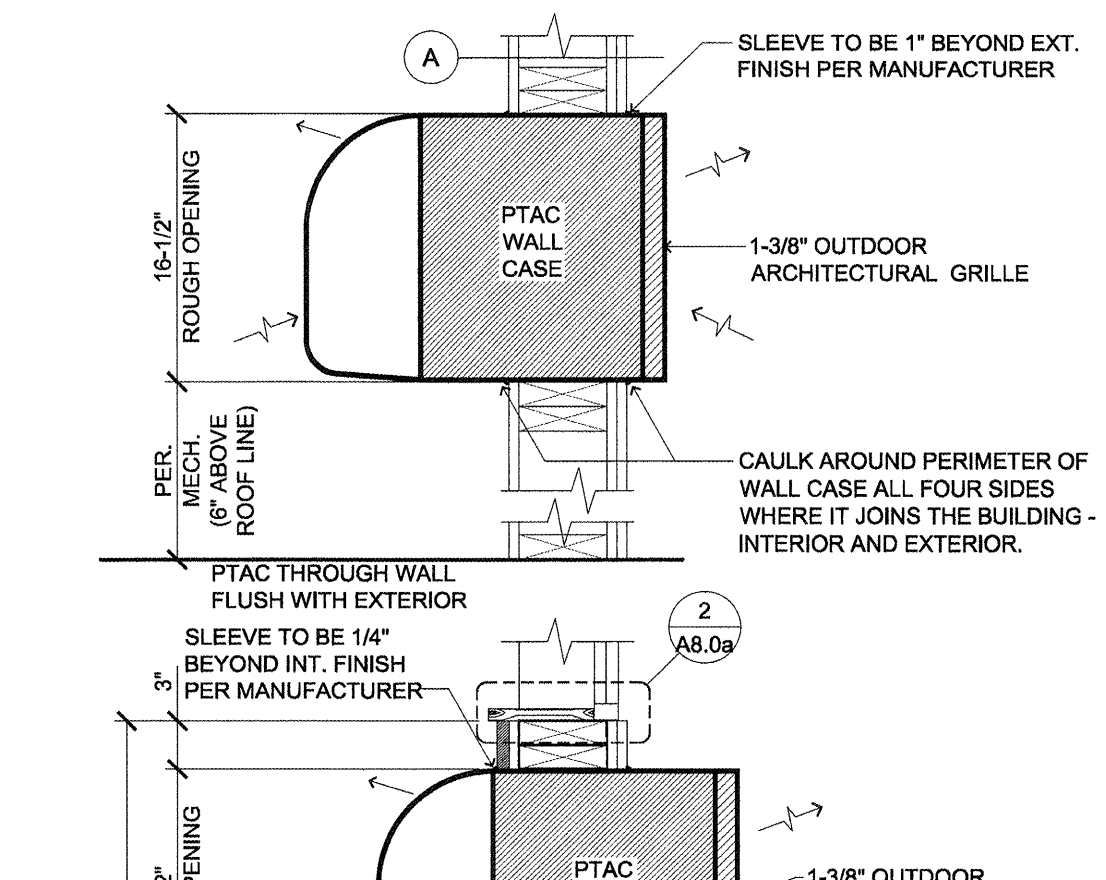
3 MARKETING ROOM
(ELEVATION)
SCALE: 1/4" = 1'-0"



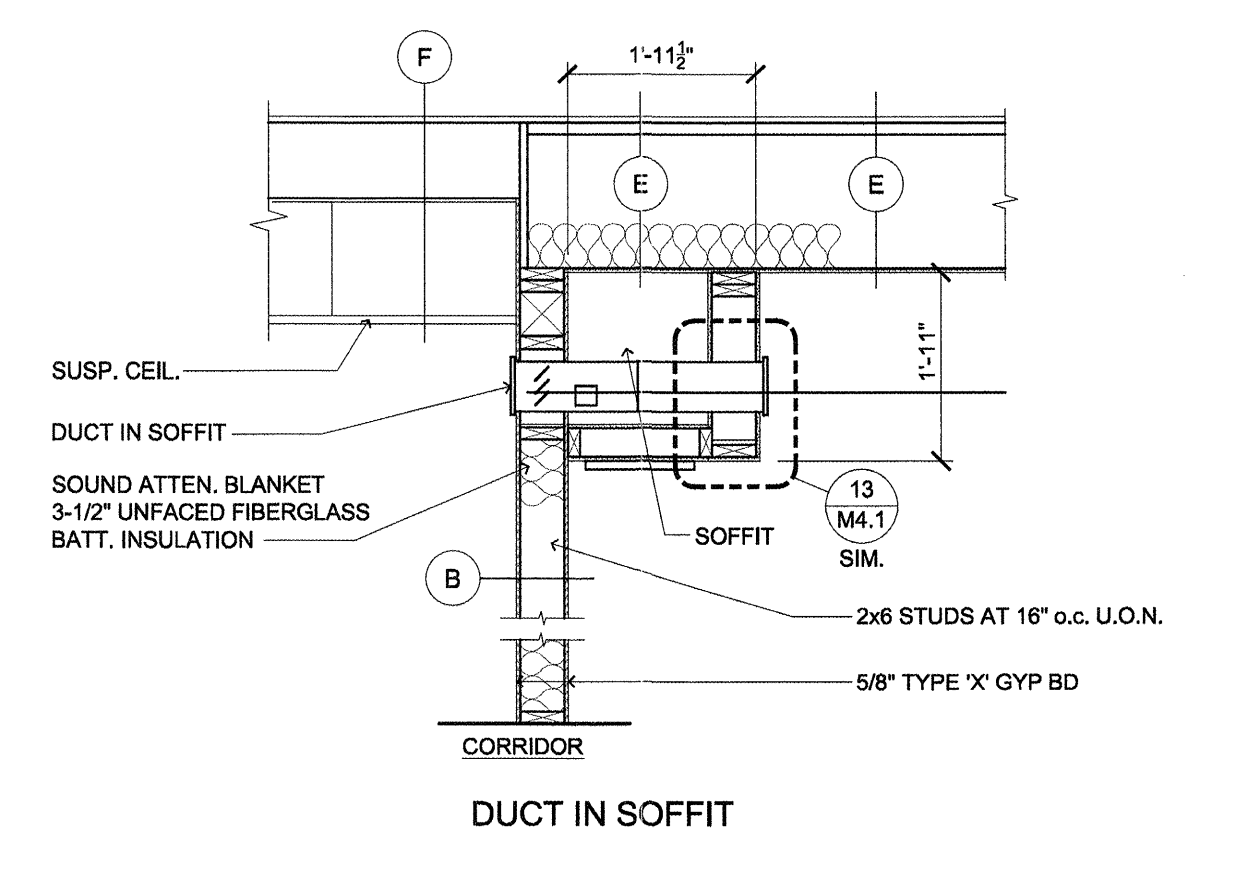
17 SPRINKLER HEAD DRYWALL SHEAR
SCALE: 3" = 1'-0"



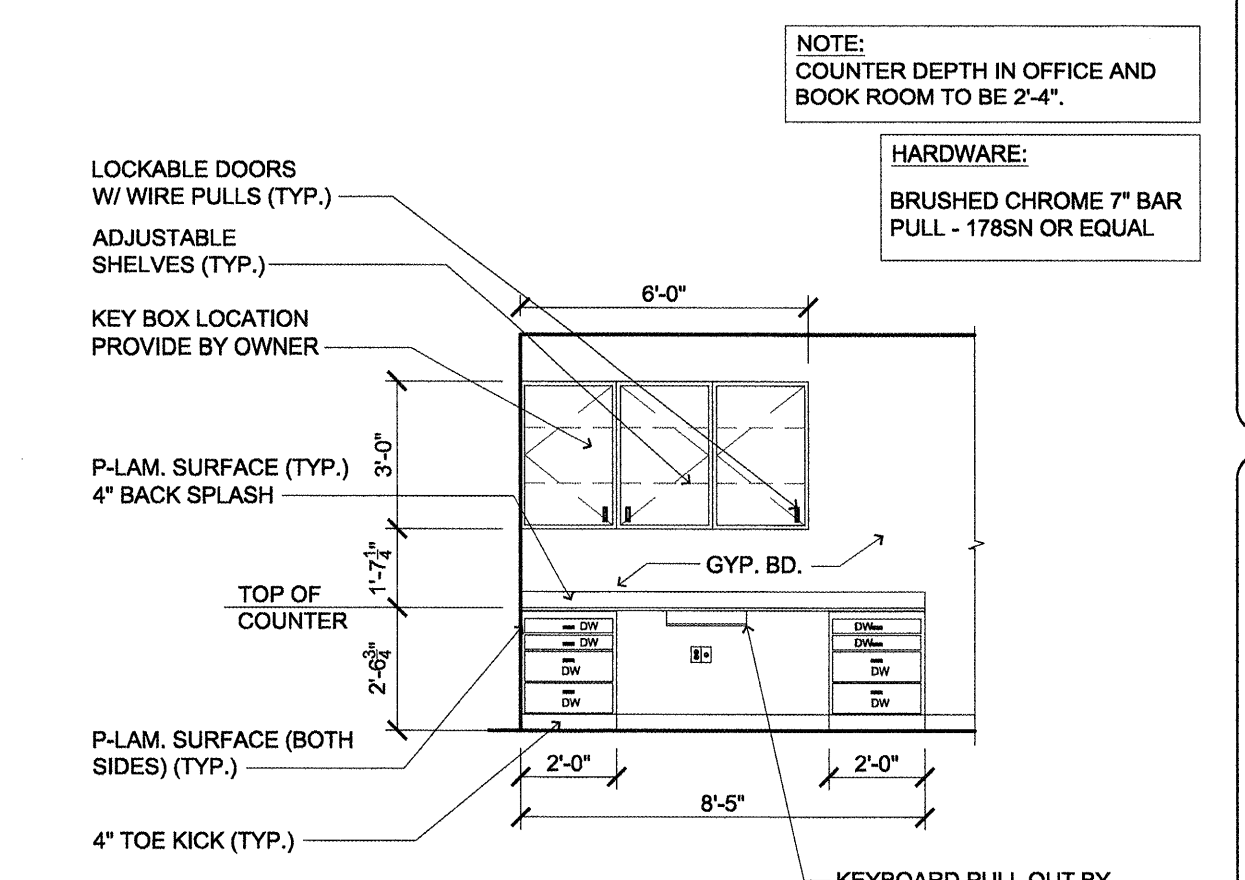
13 ATTIC CATWALK
(TYP. CONDITION - HEIGHT VARIES AT EQUIP.)
SCALE: 1" = 1'-0"



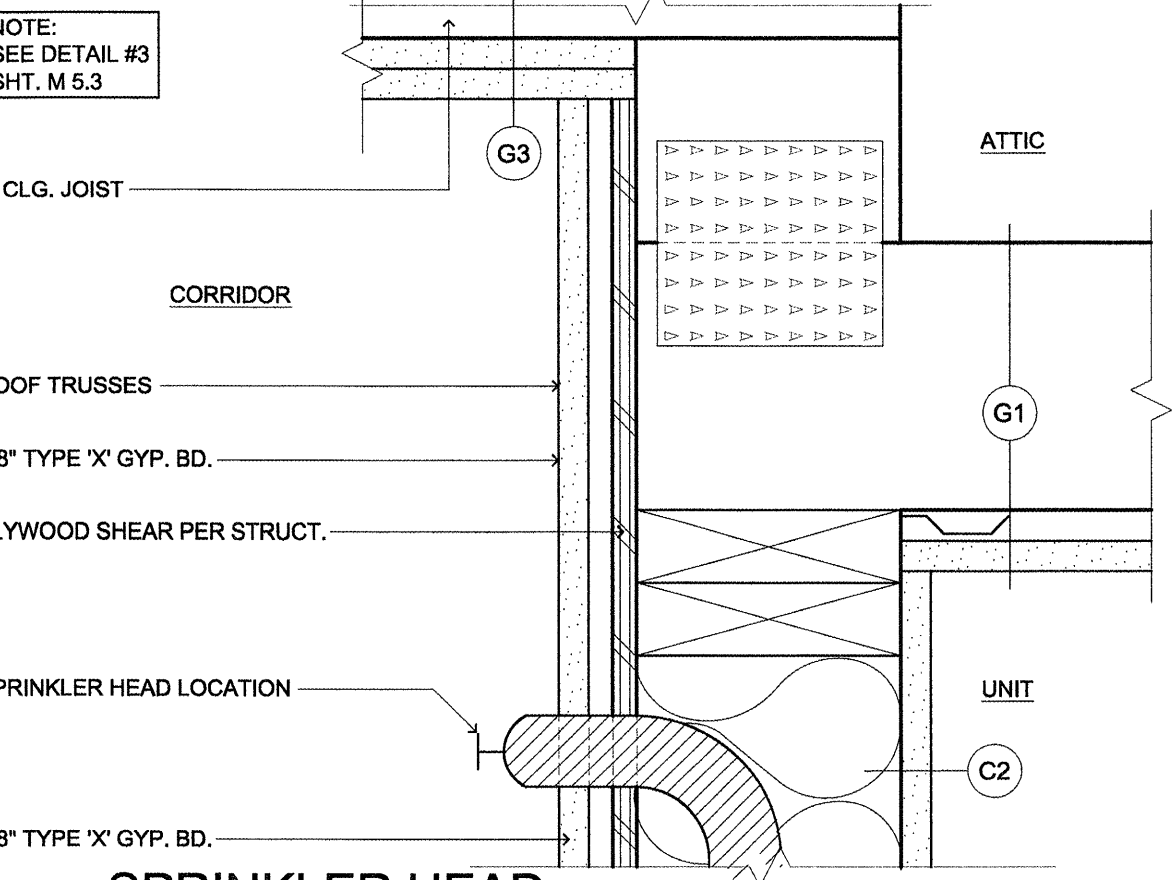
6 TRANSFER DUCT
(AT LAUNDRY)
SCALE: 1/2" = 1'-0"



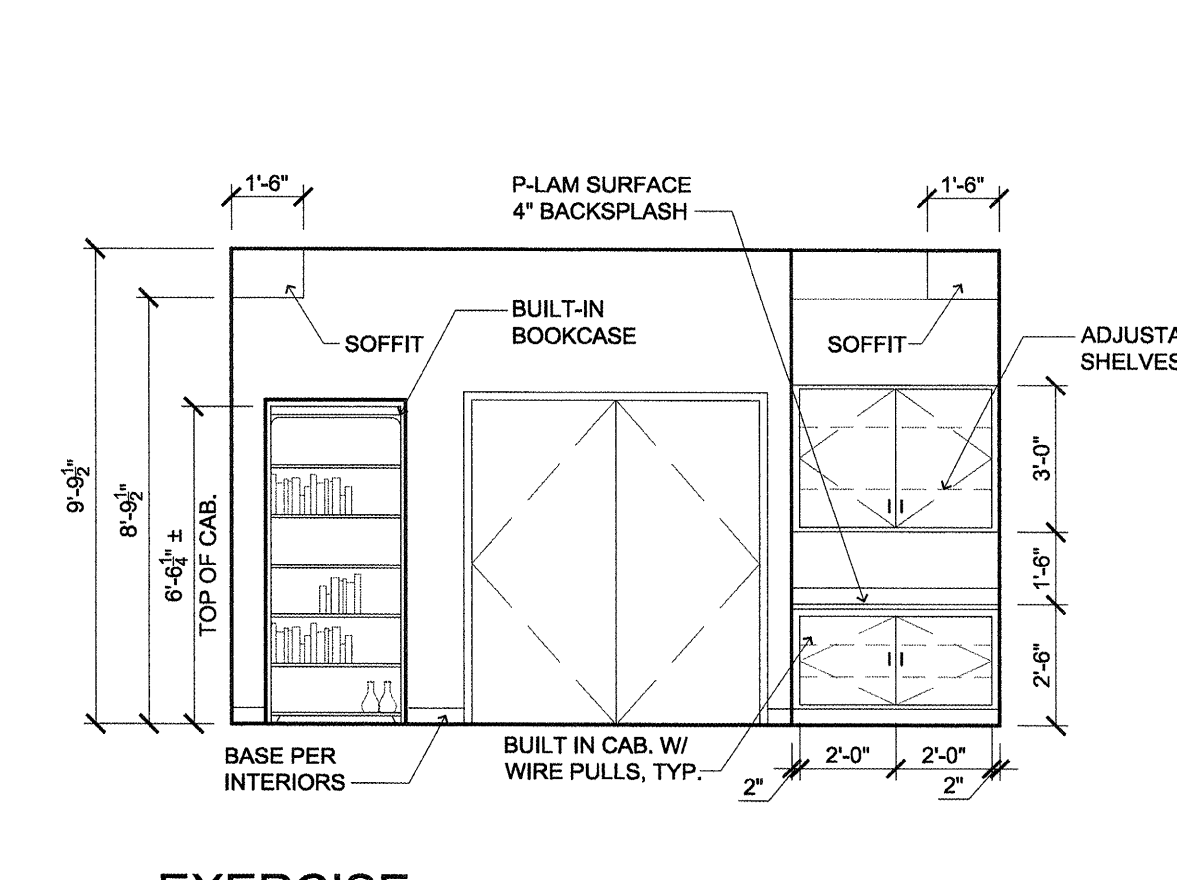
6 TRANSFER DUCT
(AT LAUNDRY)
SCALE: 1/2" = 1'-0"



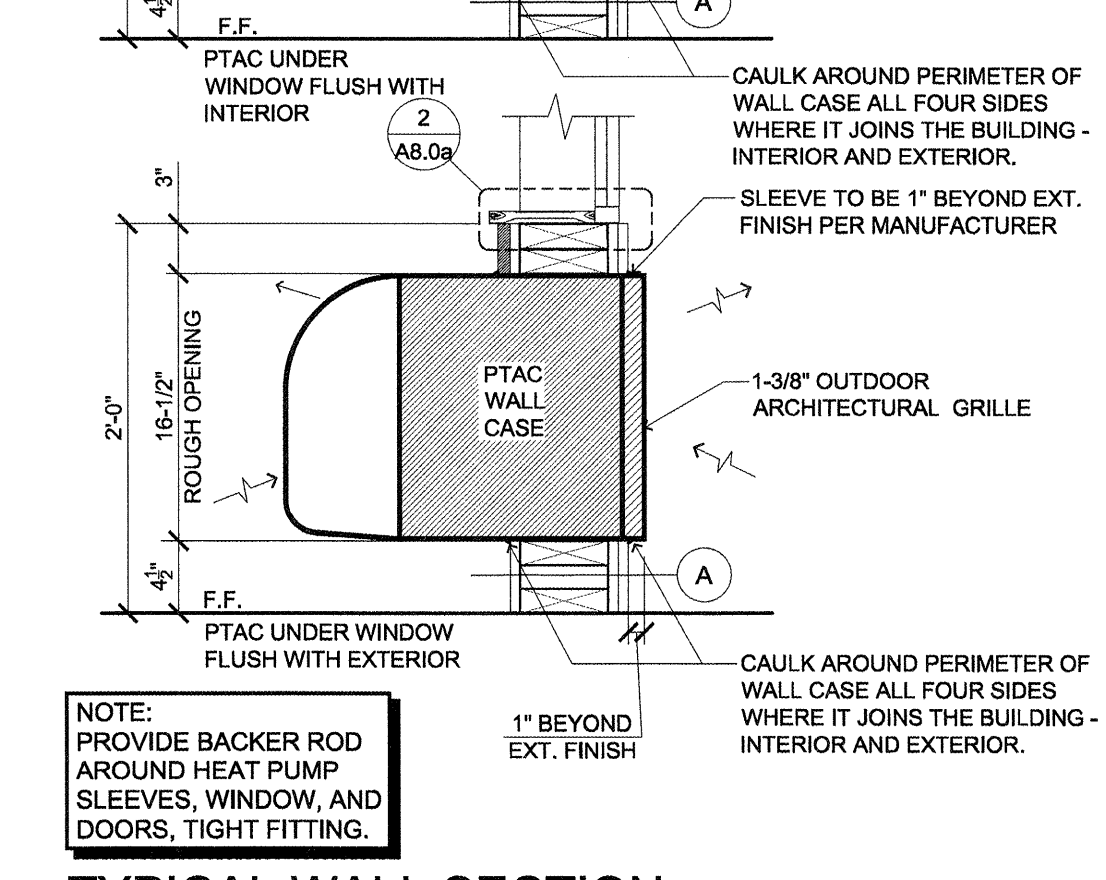
2 OFFICE
(ELEVATION)
SCALE: 1/4" = 1'-0"



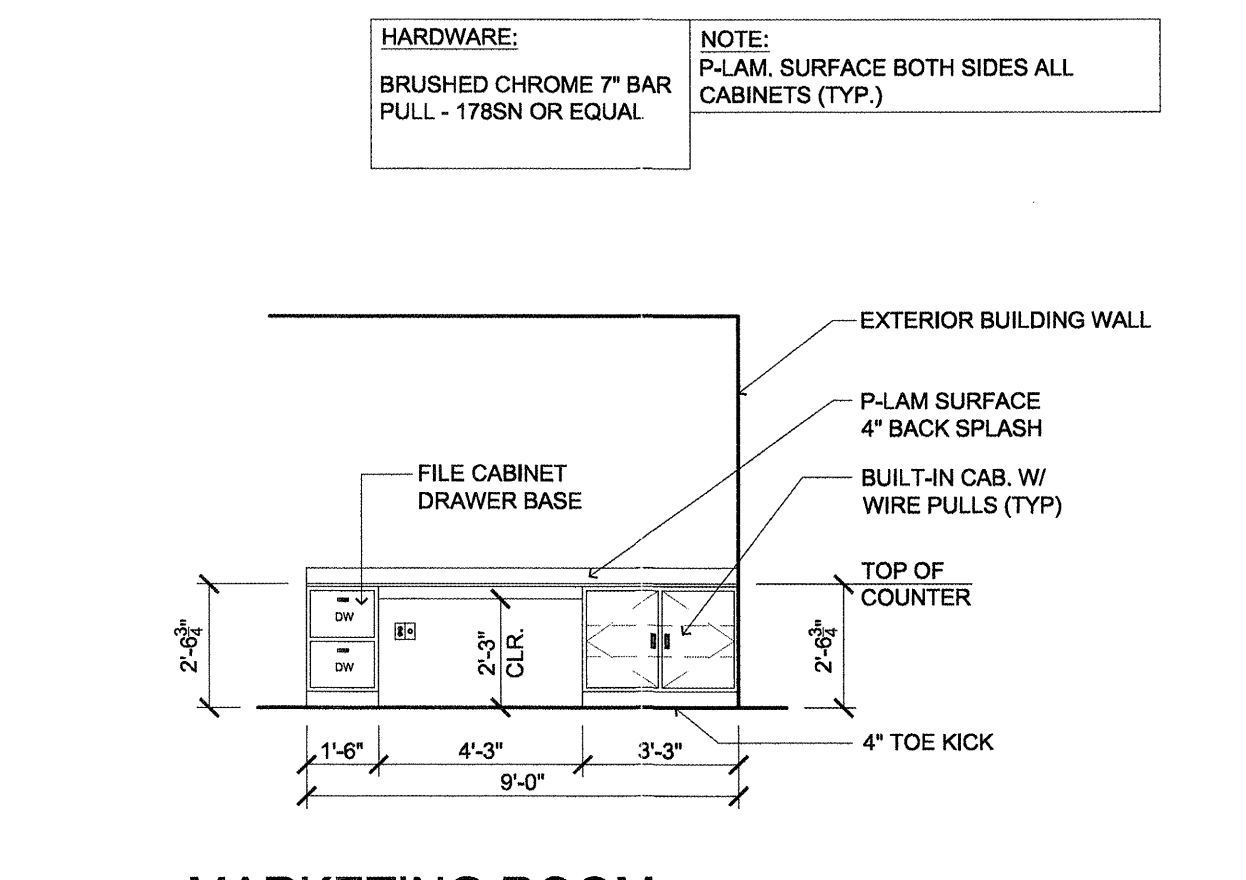
16 SPRINKLER HEAD PLYWOOD SHEAR
SCALE: 3" = 1'-0"



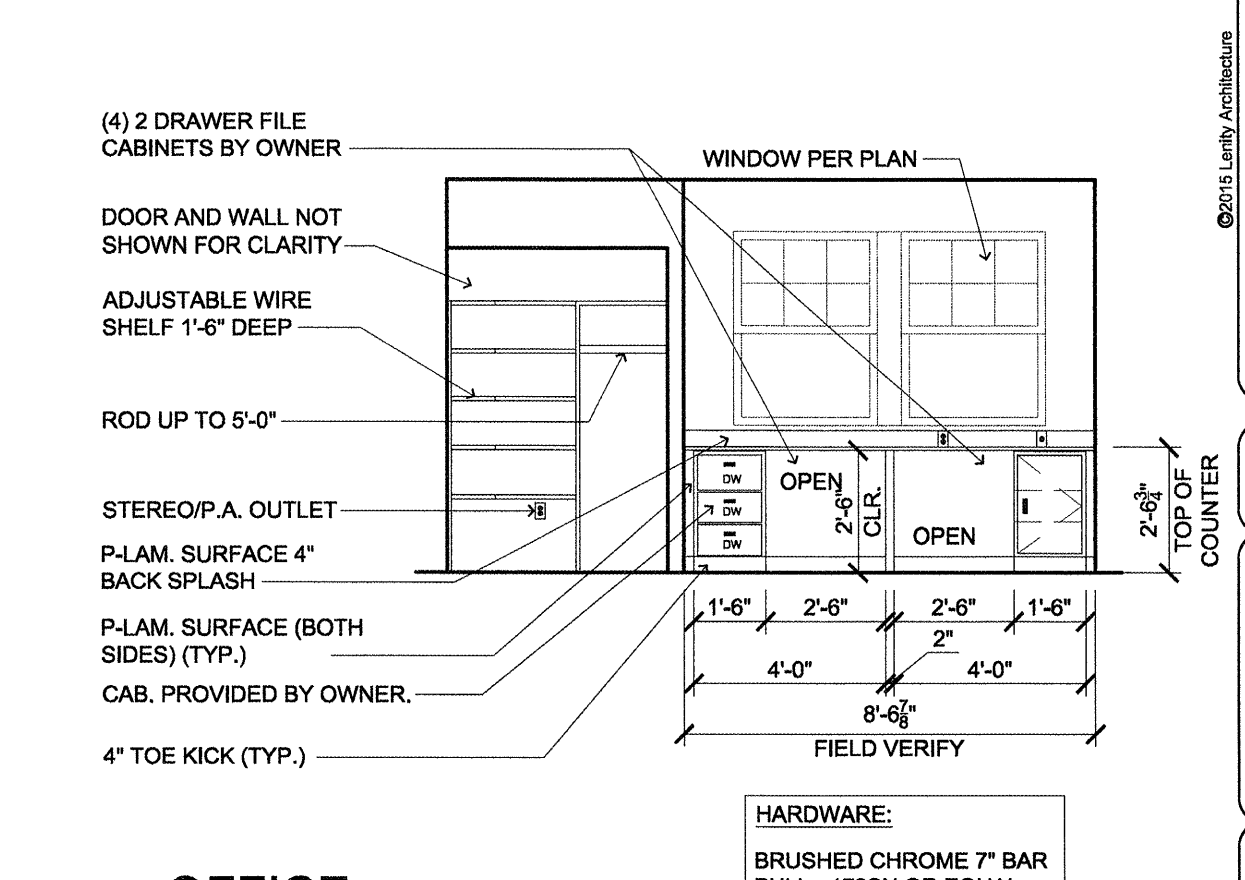
12 EXERCISE
(ELEVATION)
SCALE: 1/4" = 1'-0"



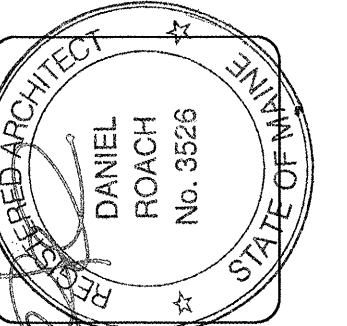
9 TYPICAL WALL SECTION
(AT PTAC)
SCALE: 1" = 1'-0"



5 MARKETING ROOM
(ELEVATION)
SCALE: 1/4" = 1'-0"



1 OFFICE
(ELEVATION)
SCALE: 1/4" = 1'-0"



lenity architecture
3150 Kettle Creek SE, Salem, Oregon 97301
P: 503.399.1090 F: 503.399.0585

COLSON AND COLSON
GENERAL CONTRACTOR, INC.
2280 McILCHRIST STREET SE, SUITE 200
SALEM, OREGON, 97302
PHONE (503) 586-7401

PORTLAND
RETIREMENT RESIDENCE
802 OCEAN AVE., PORTLAND, MAINE 04103

INTERIOR ELEVATIONS AND DETAILS

DATE: 8/28/2015
REVISED DATE:
SHEET: A8.5