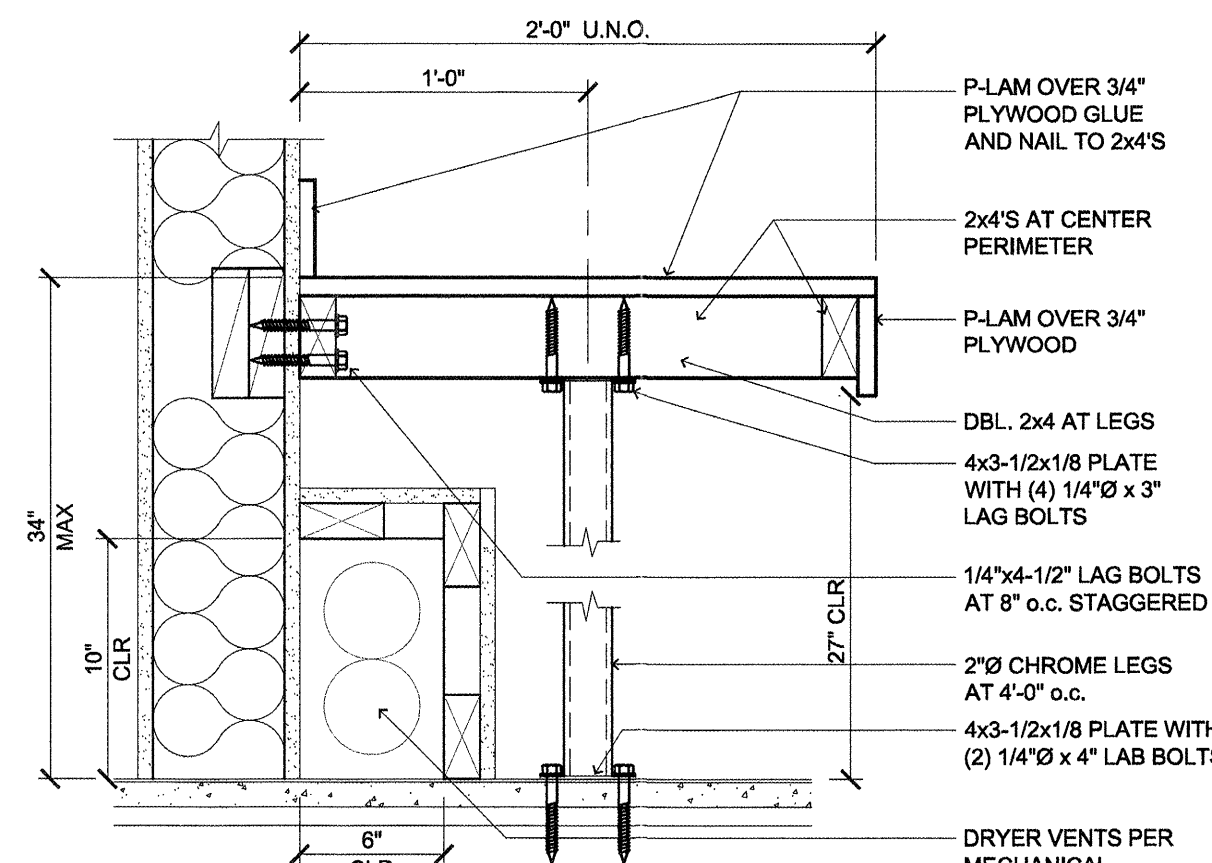


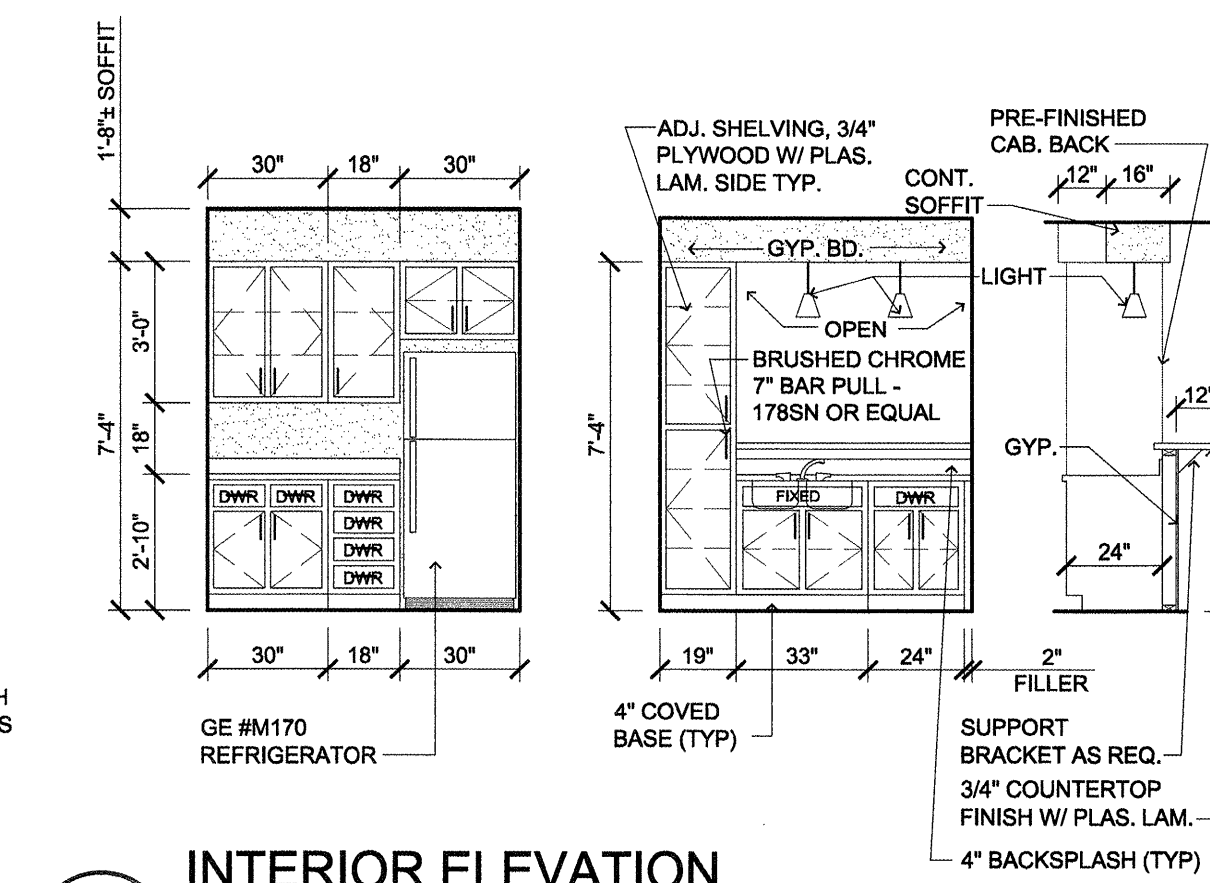
**15 INTERIOR ELEVATION (EXERCISE)**  
SCALE: 1/4" = 1'-0"

T:\12\FURNISH\300CASWK\1230210



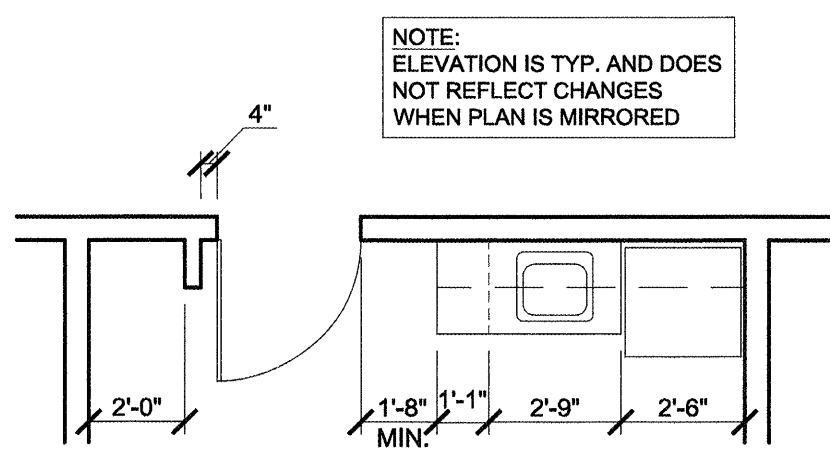
**7 DRYER VENTING (SOFFIT)**  
SCALE: 1-1/2" = 1'-0"

T:\12\FURNISH\300CASWK\1230210

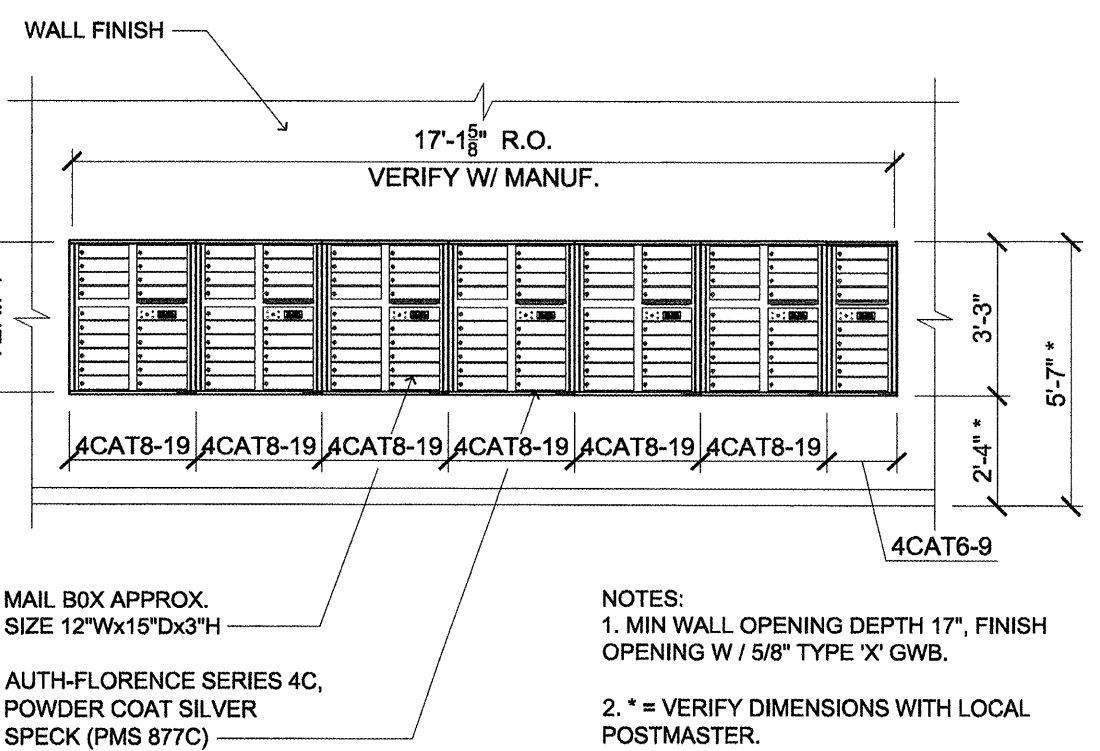


**3 INTERIOR ELEVATION (CO-MANAGER'S KITCHEN)**  
SCALE: 1/4" = 1'-0"

T:\12\FURNISH\300CASWK\1230210

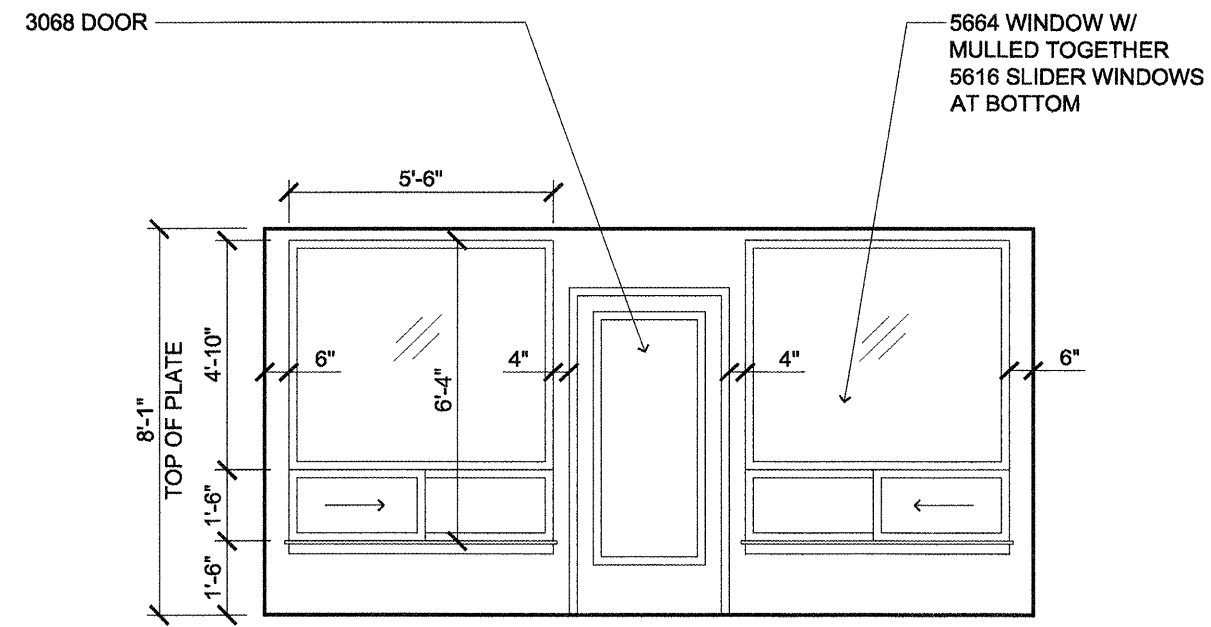


**PLAN VIEW**



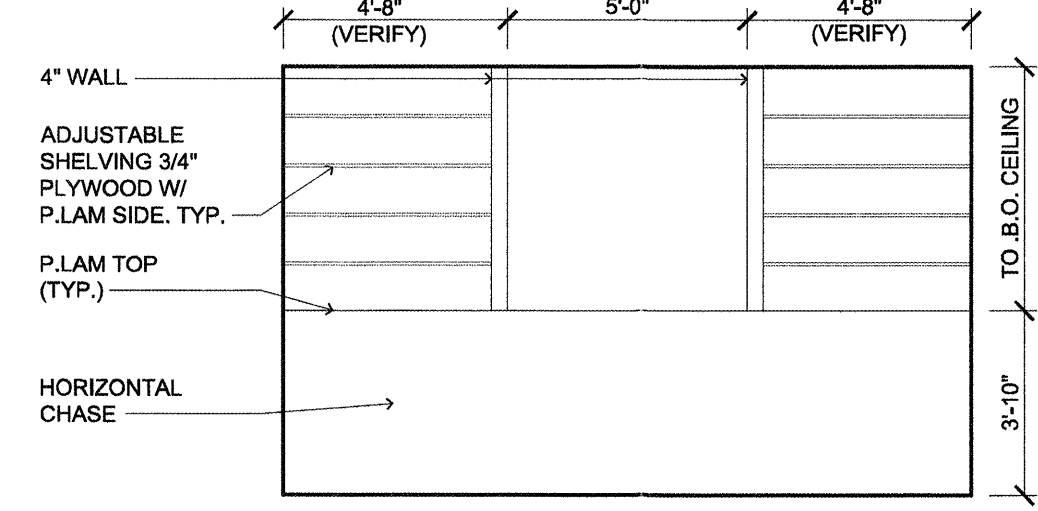
**13 MAILBOXES (TYPICAL ELEVATION)**  
SCALE: 1/4" = 1'-0"

T:\12\FURNISH\300CASWK\1230210



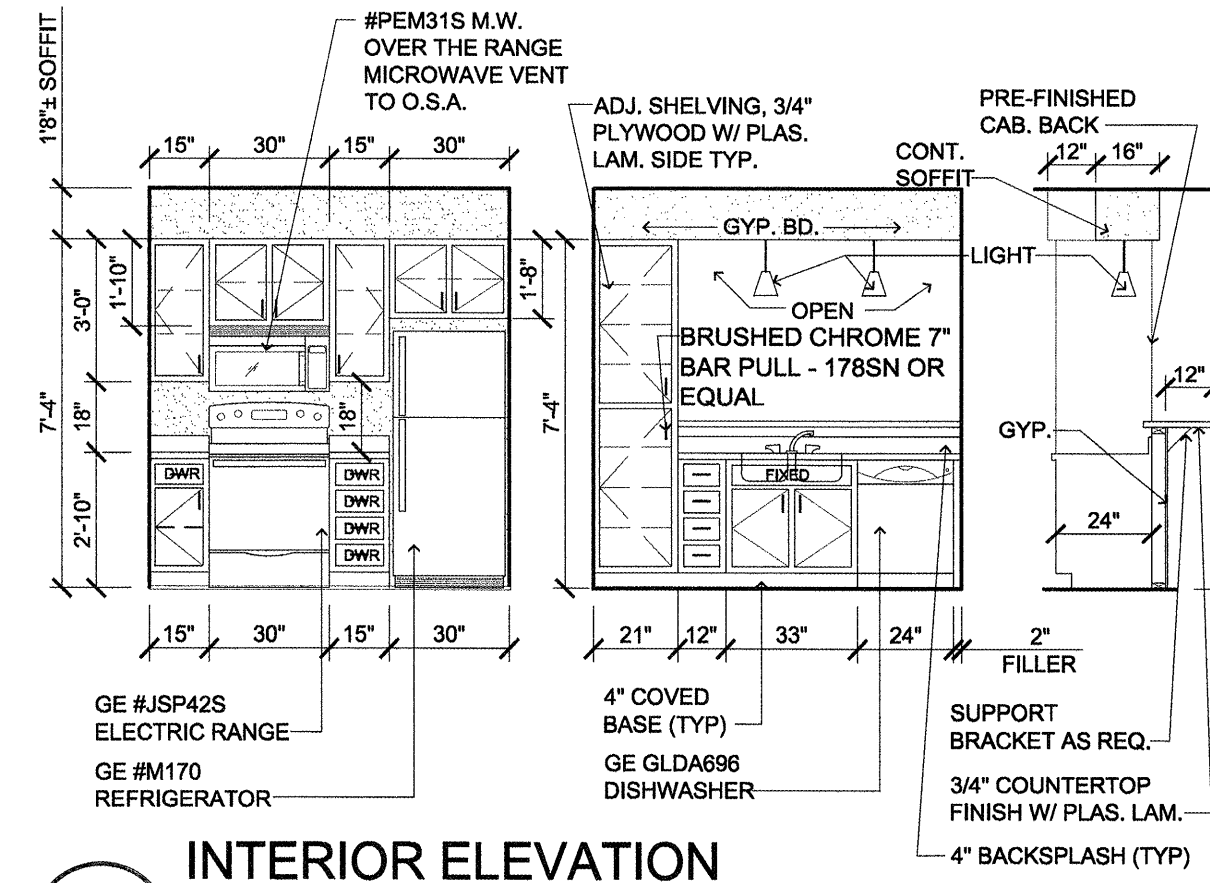
**10 INTERIOR ELEVATION (SUN DECK)**  
SCALE: 1/4" = 1'-0"

T:\12\FURNISH\300CASWK\1230210



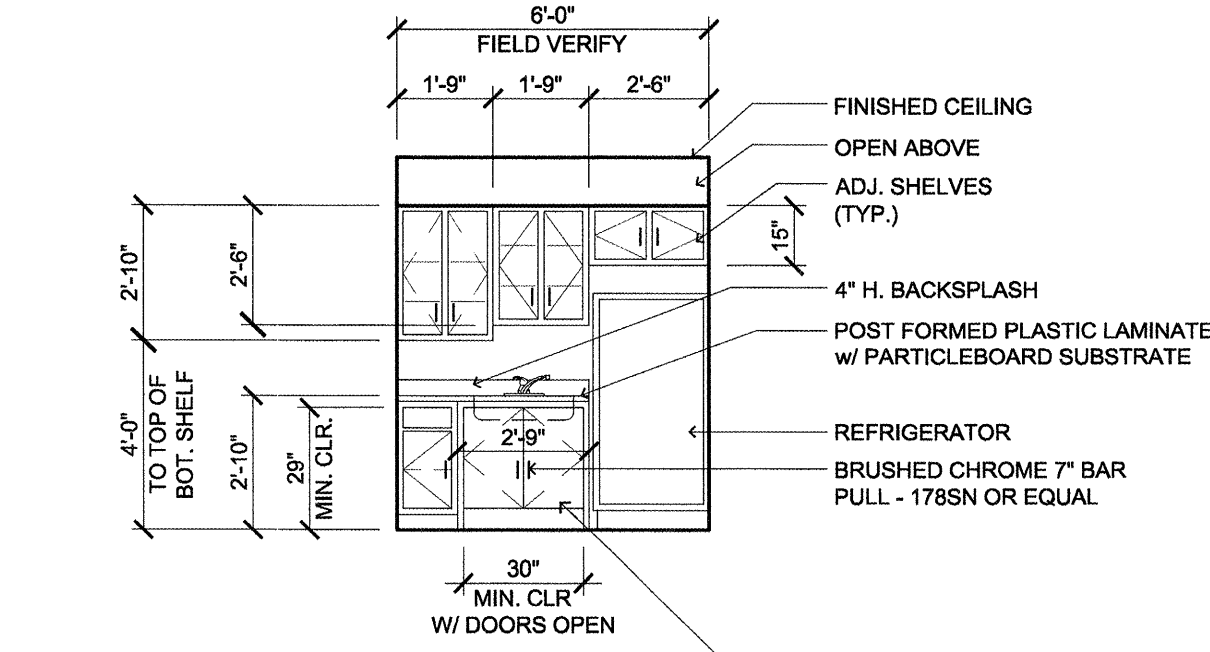
**6 SHELVING ABOVE HORIZONTAL CHASE (ELEVATION)**  
SCALE: 1/4" = 1'-0"

T:\12\FURNISH\300CASWK\1230210



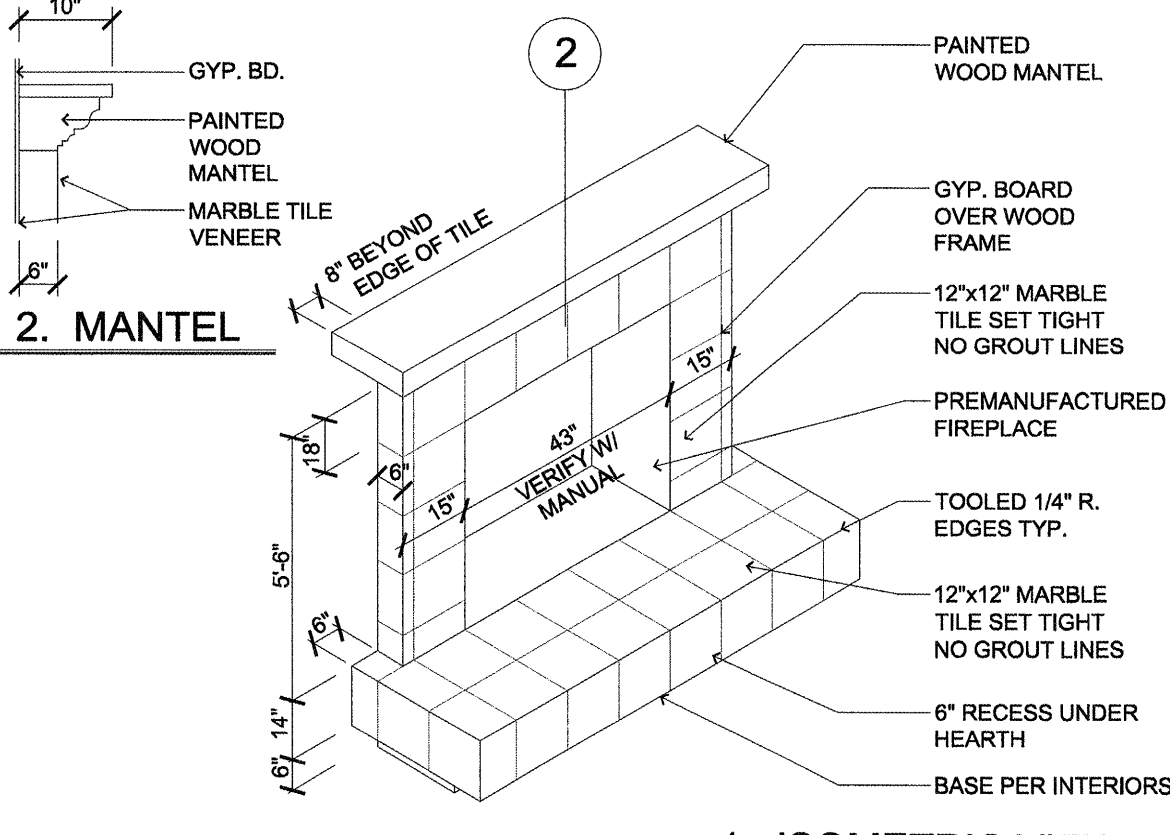
**2 INTERIOR ELEVATION (MANAGER'S KITCHEN)**  
SCALE: 1/4" = 1'-0"

T:\12\FURNISH\300CASWK\1230210



**14 INTERIOR ELEVATION (ACCESSIBLE SUITE CABINETS)**  
SCALE: 1/4" = 1'-0"

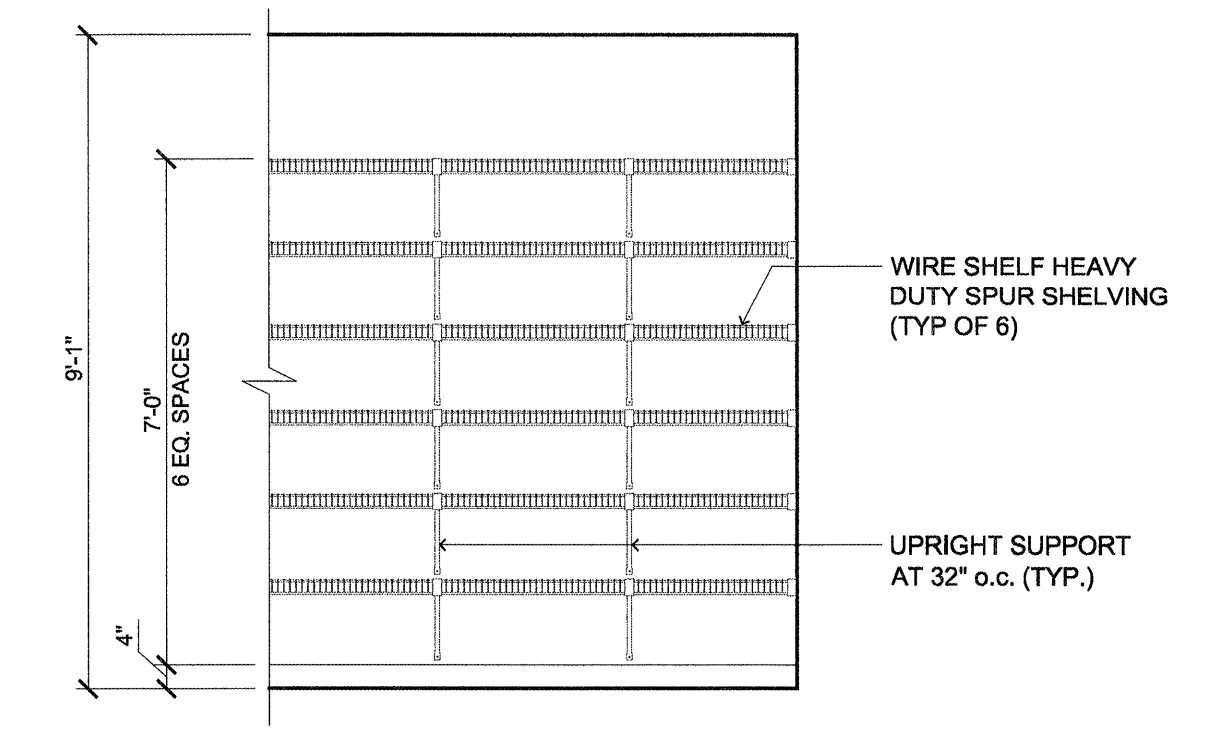
T:\12\FURNISH\300CASWK\1230210



**1. ISOMETRIC VIEW**

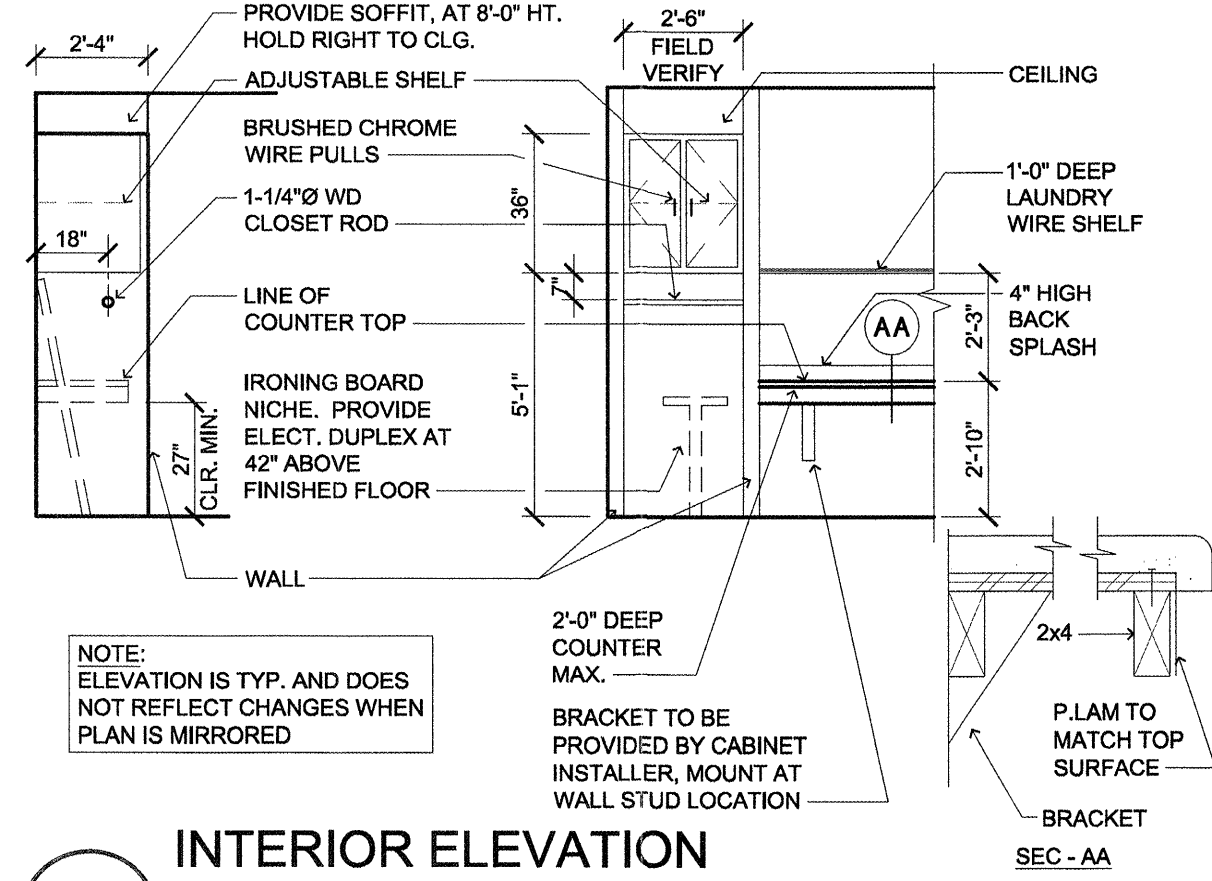
**12 FIREPLACE DETAILS (MANTEL & ISOMETRIC)**  
SCALE: NOT TO SCALE (1:12)

T:\12\FURNISH\300CASWK\1230210



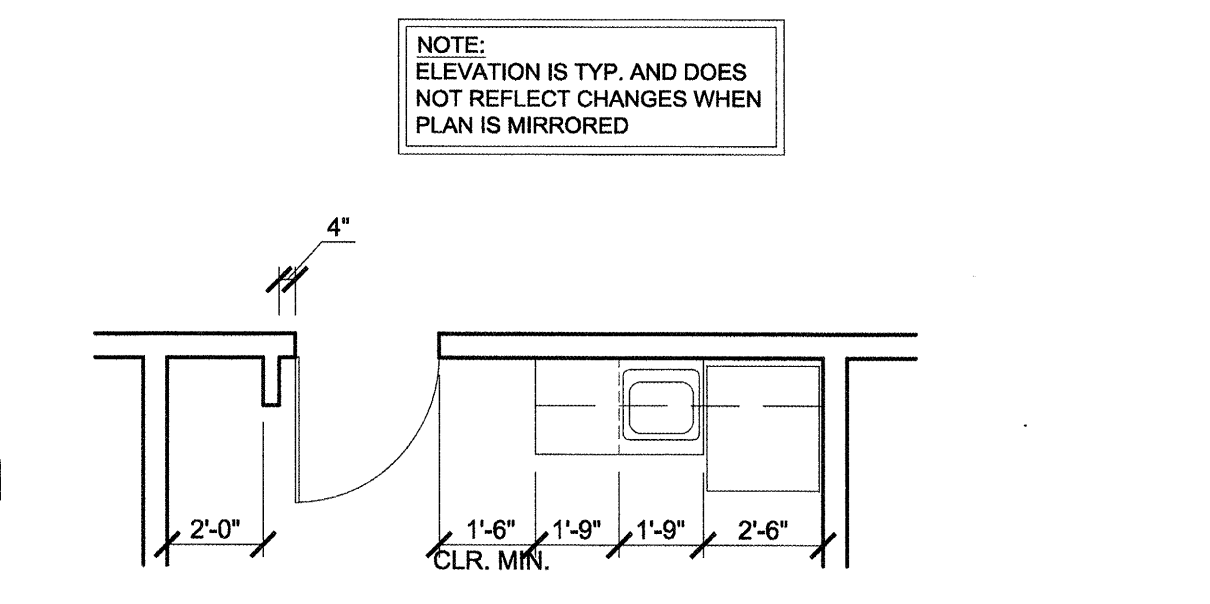
**9 INTERIOR ELEVATION (LINEN SHELVES)**  
SCALE: 3/8" = 1'-0"

T:\12\FURNISH\300CASWK\1230210



**5 INTERIOR ELEVATION (LAUNDRY)**  
SCALE: 1/4" = 1'-0"

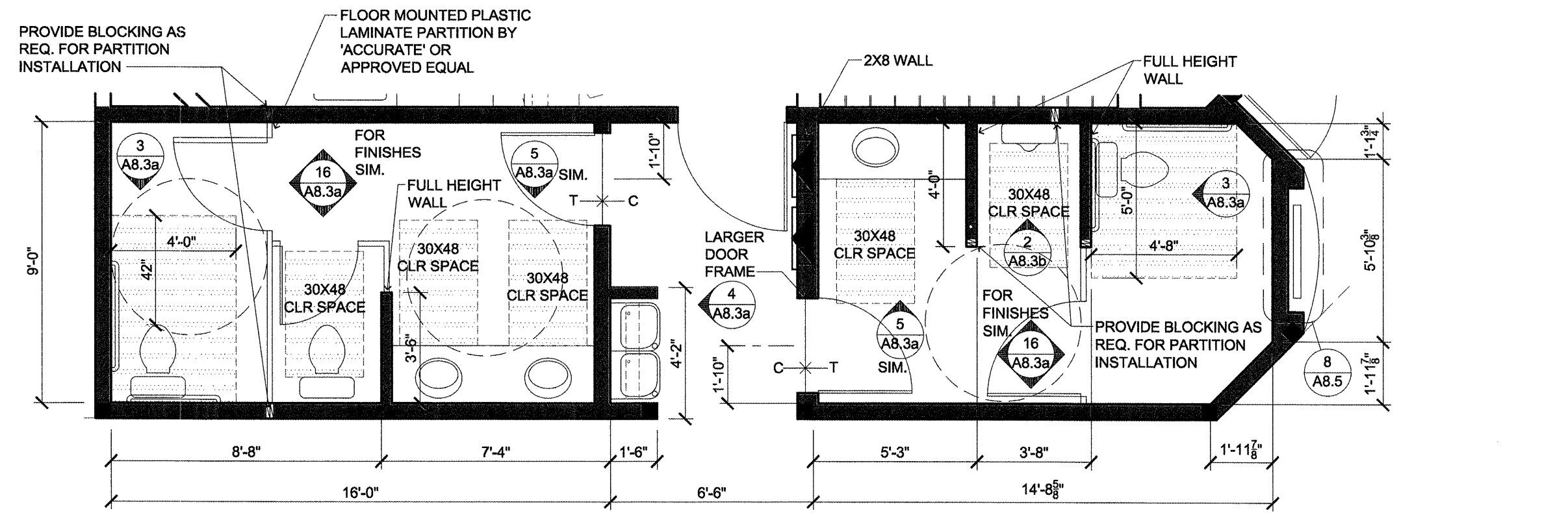
T:\12\FURNISH\300CASWK\1230210



**PLAN VIEW**

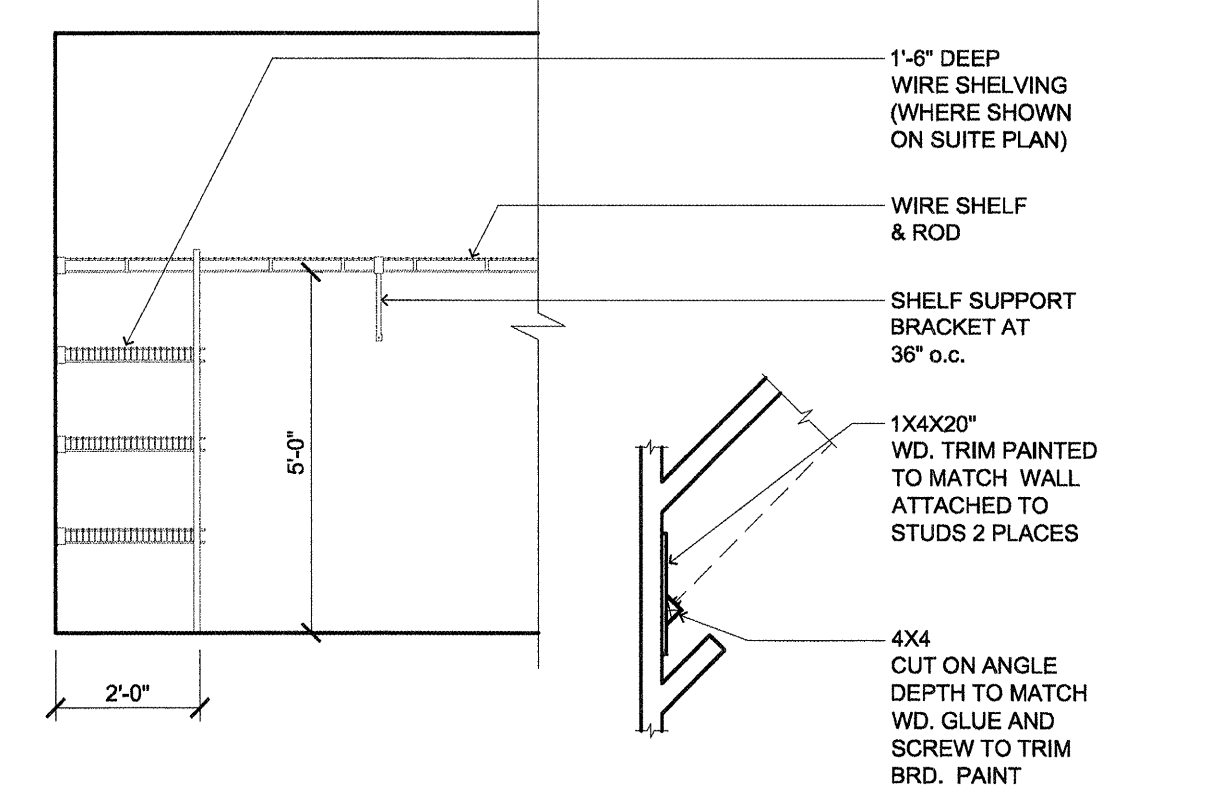
**1 INTERIOR ELEVATION (TYPICAL SUITE CABINETS)**  
SCALE: 1/4" = 1'-0"

T:\12\FURNISH\300CASWK\1230210



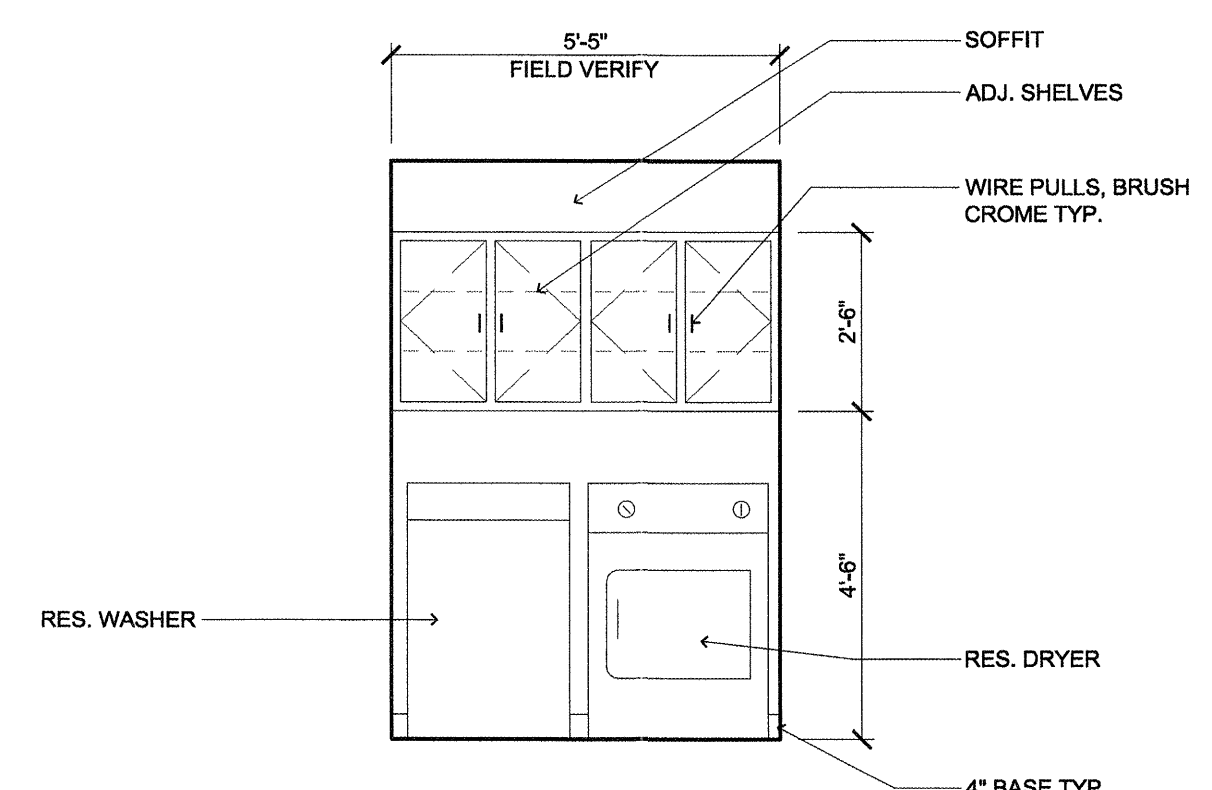
**11 ENLARGED BATHROOM (GROUND FLOOR)**  
SCALE: 1/4" = 1'-0"

T:\12\FURNISH\300CASWK\1230210



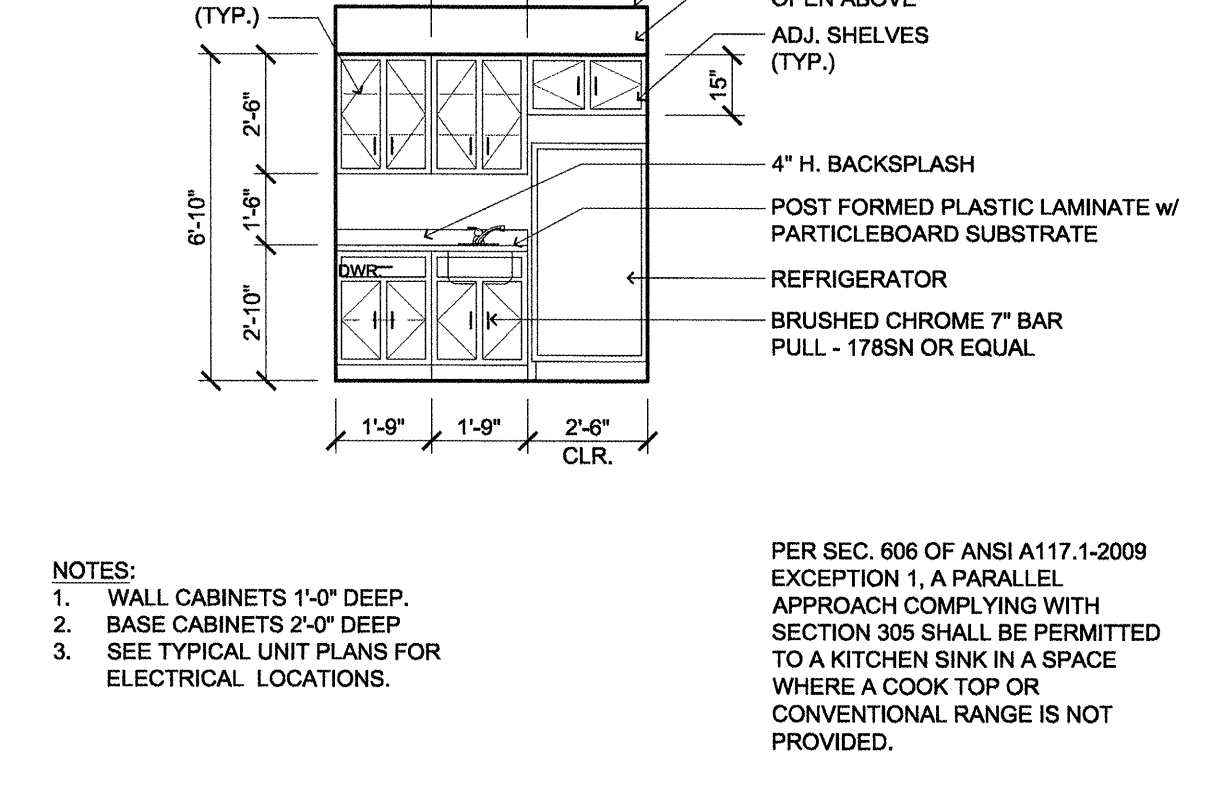
**8 INTERIOR ELEVATION (TYPICAL SUITE CLOSET)**  
SCALE: 3/8" = 1'-0"

T:\12\FURNISH\300CASWK\1230210



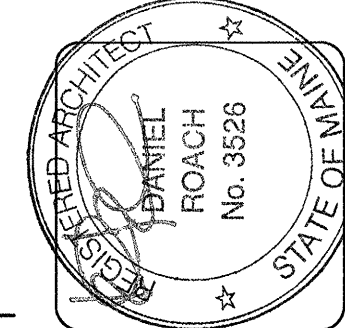
**4 MANAGER'S LAUNDRY (CASEWORK)**  
SCALE: 3/8" = 1'-0"

T:\12\FURNISH\300CASWK\1230210



**1 INTERIOR ELEVATION (TYPICAL SUITE CABINETS)**  
SCALE: 1/4" = 1'-0"

T:\12\FURNISH\300CASWK\1230210



**lenity architecture**  
3150 Kettle Creek SE, Salem, Oregon 97301  
P: 503.595.1090 F: 503.595.0585

**COLSON AND COLSON**  
GENERAL CONTRACTOR, INC.  
2280 MCGILCHRIST STREET SE, SUITE 200  
SALEM, OREGON, 97302  
PHONE (503) 586-7401

**PORTLAND RETIREMENT RESIDENCE**  
802 OCEAN AVE., PORTLAND, MAINE 04103

**INTERIOR ELEVATIONS AND DETAILS**

DATE: 8/28/2015

REVISED DATE:

SHEET: A8.4a

08/28/2015 10:53 AM jacob...  
 T:\12\FURNISH\300CASWK\1230210\Interior Elevations and Details.dwg A8.4a