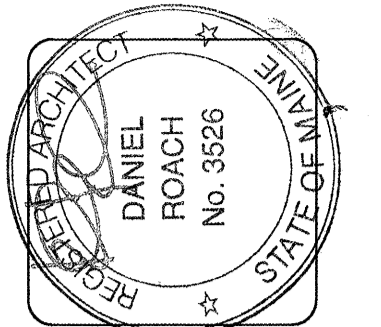
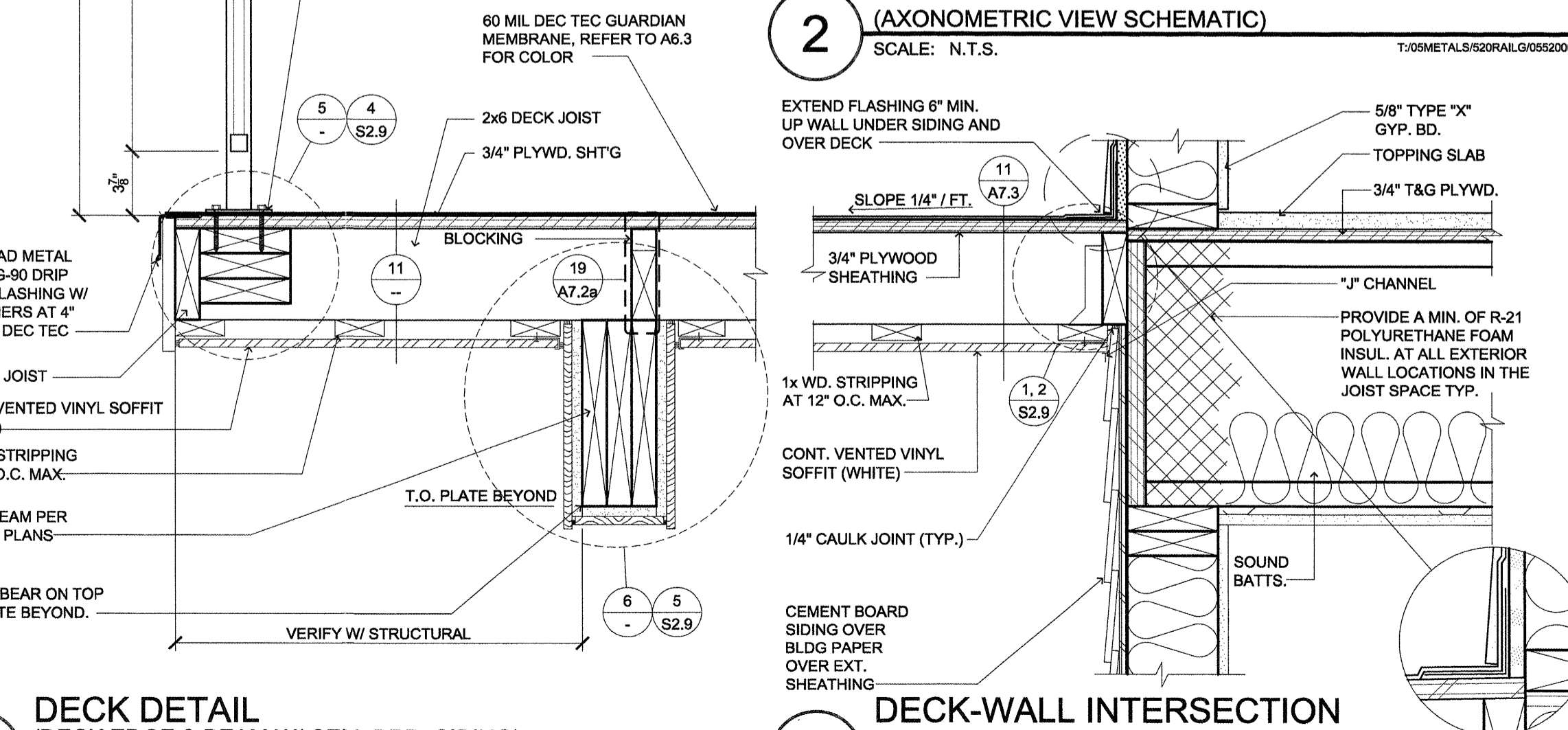
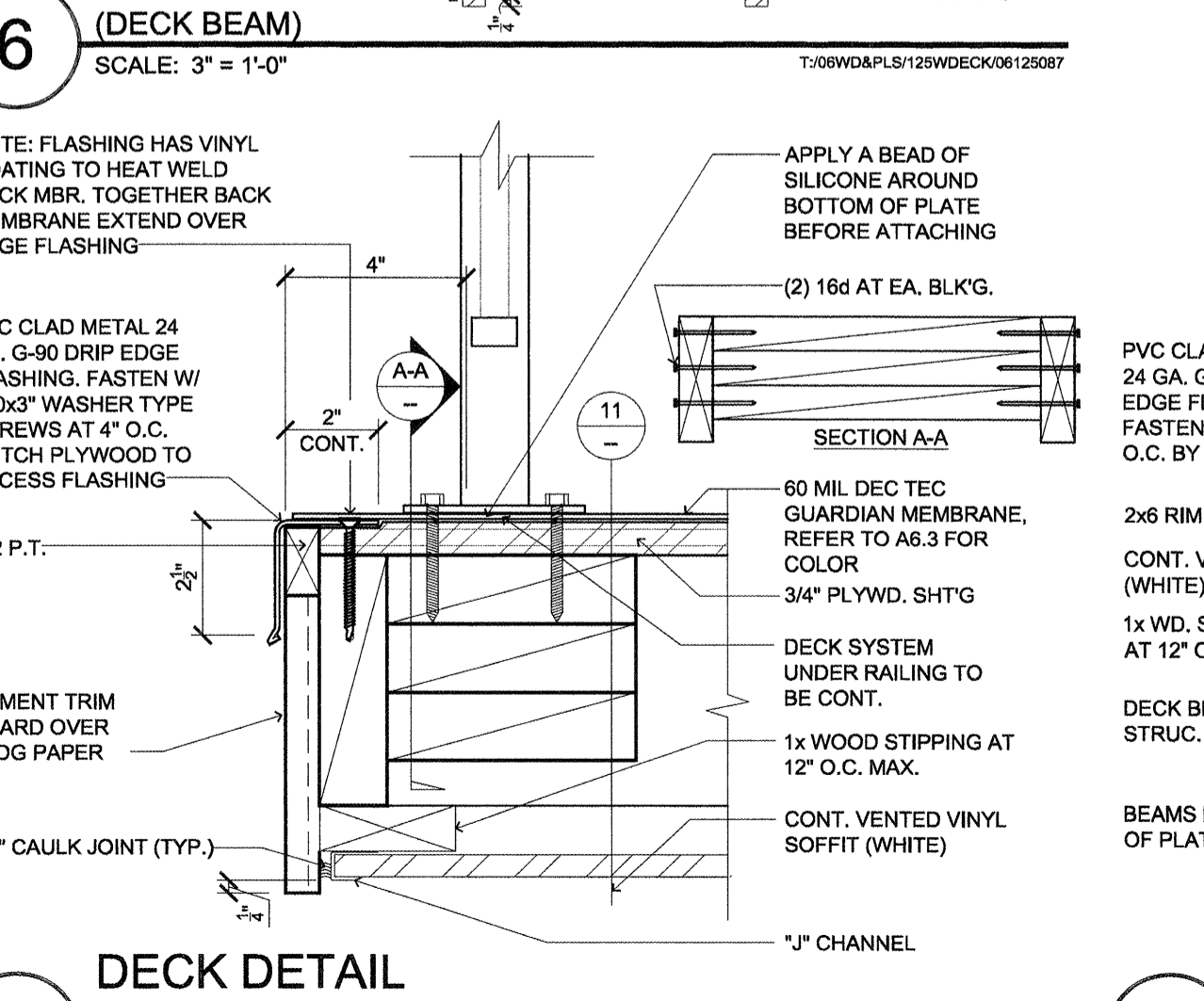
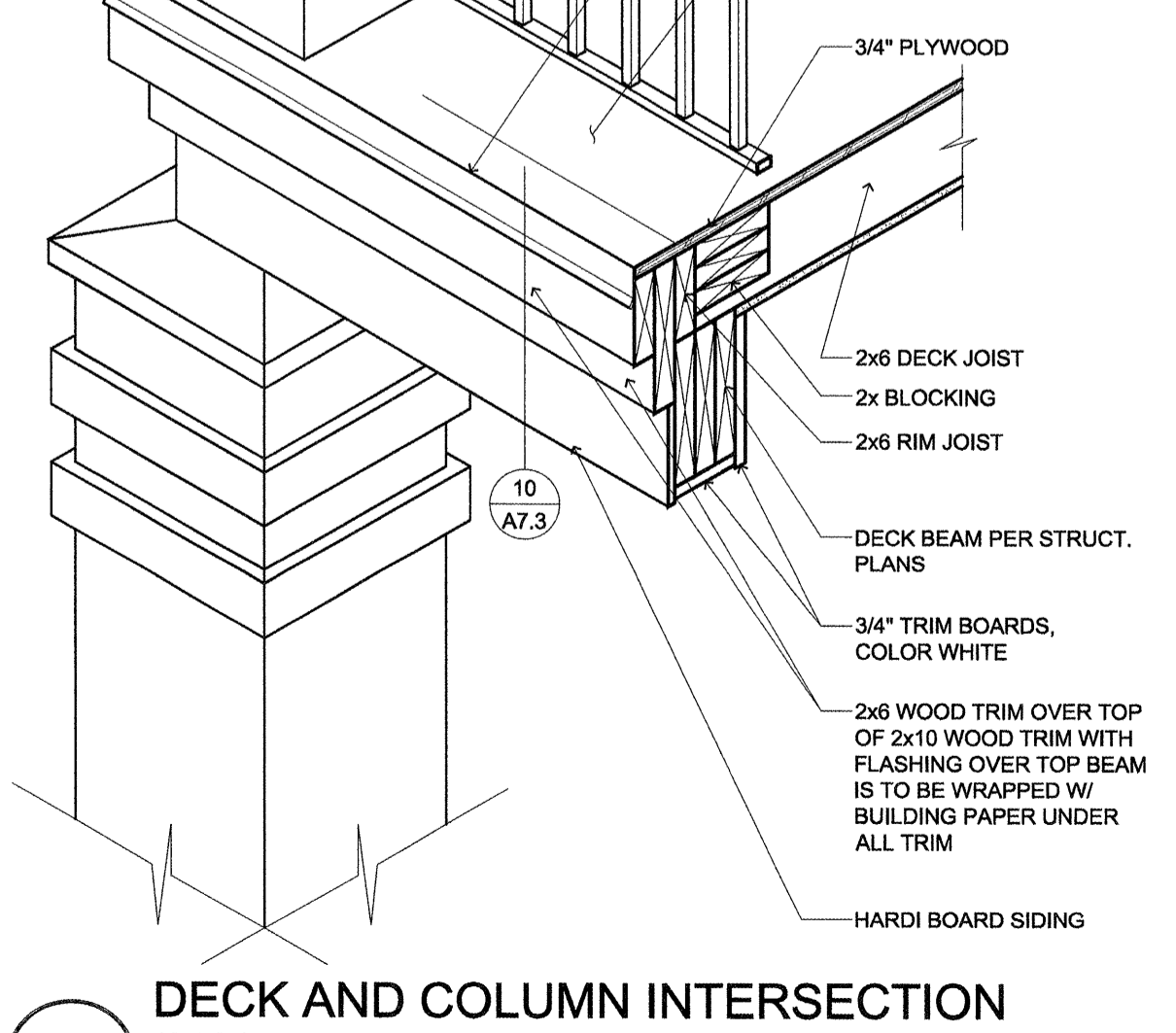
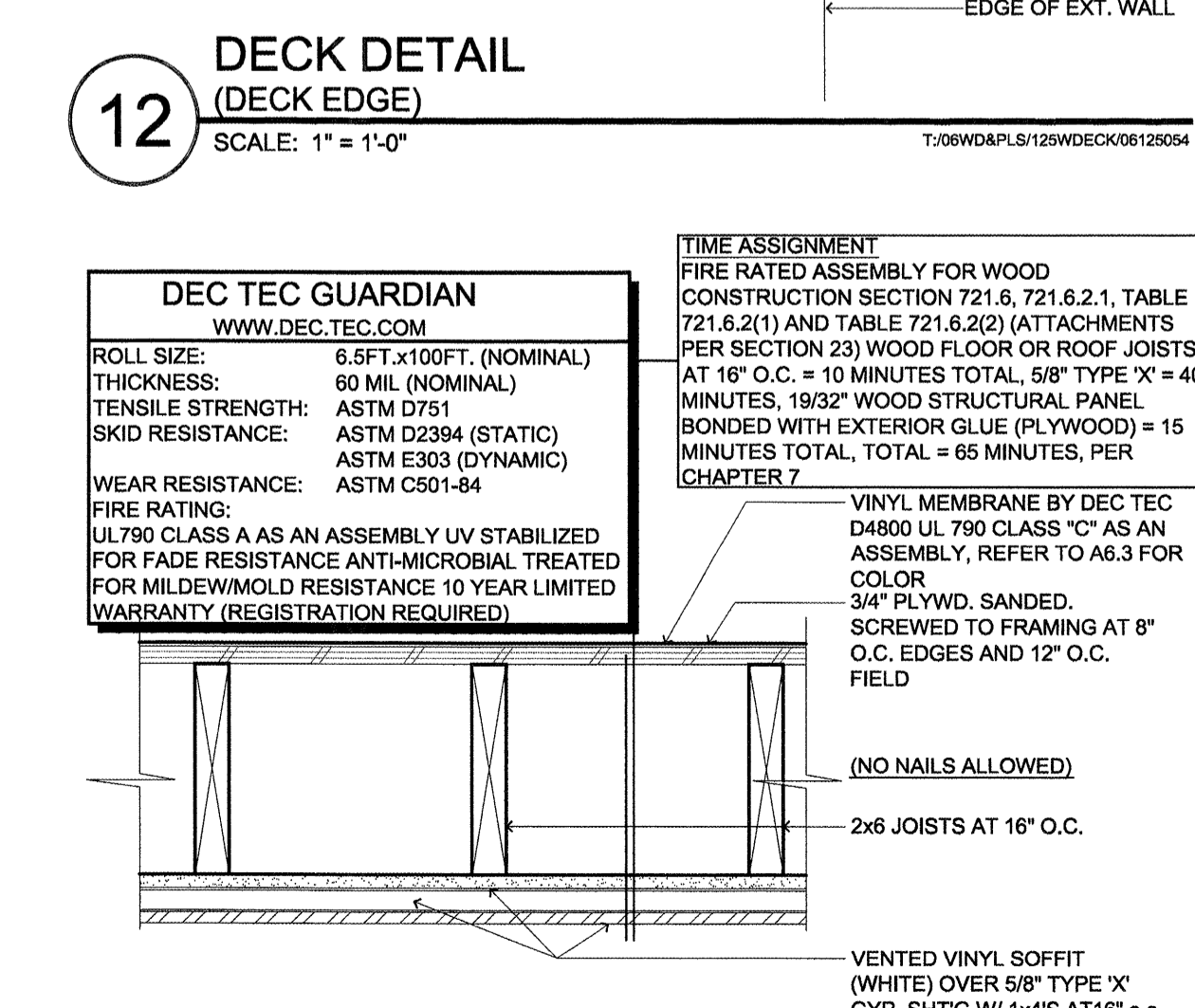
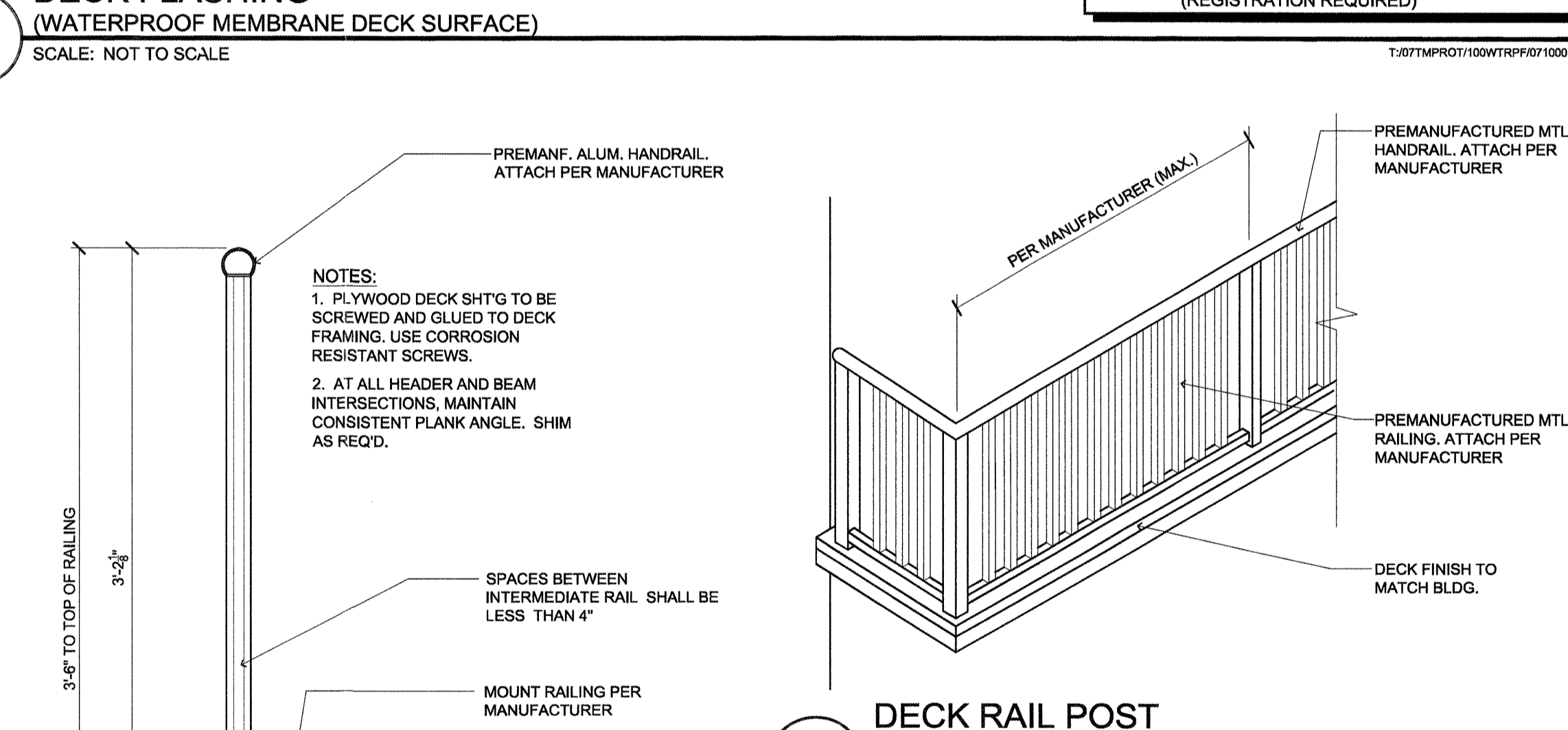
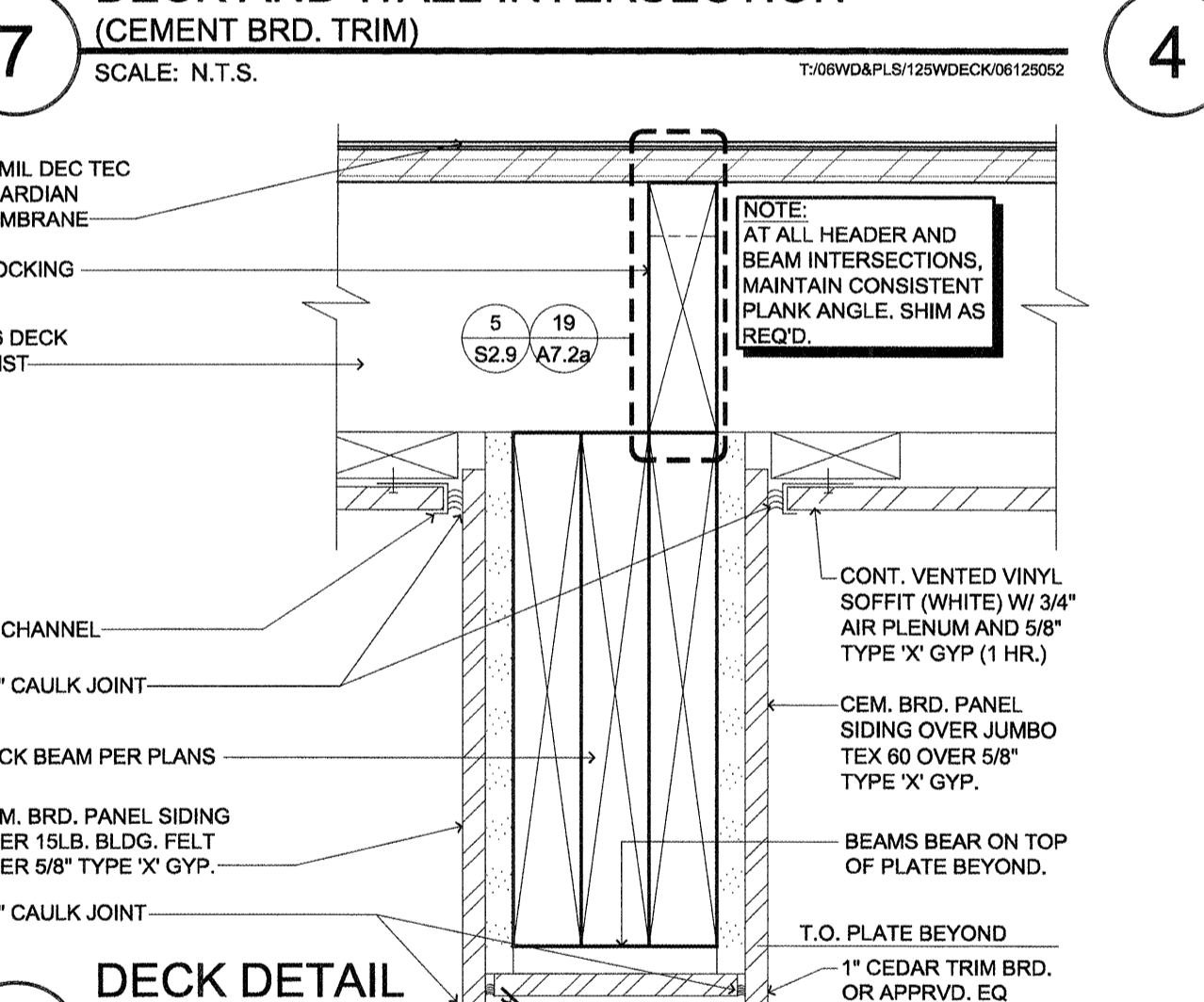
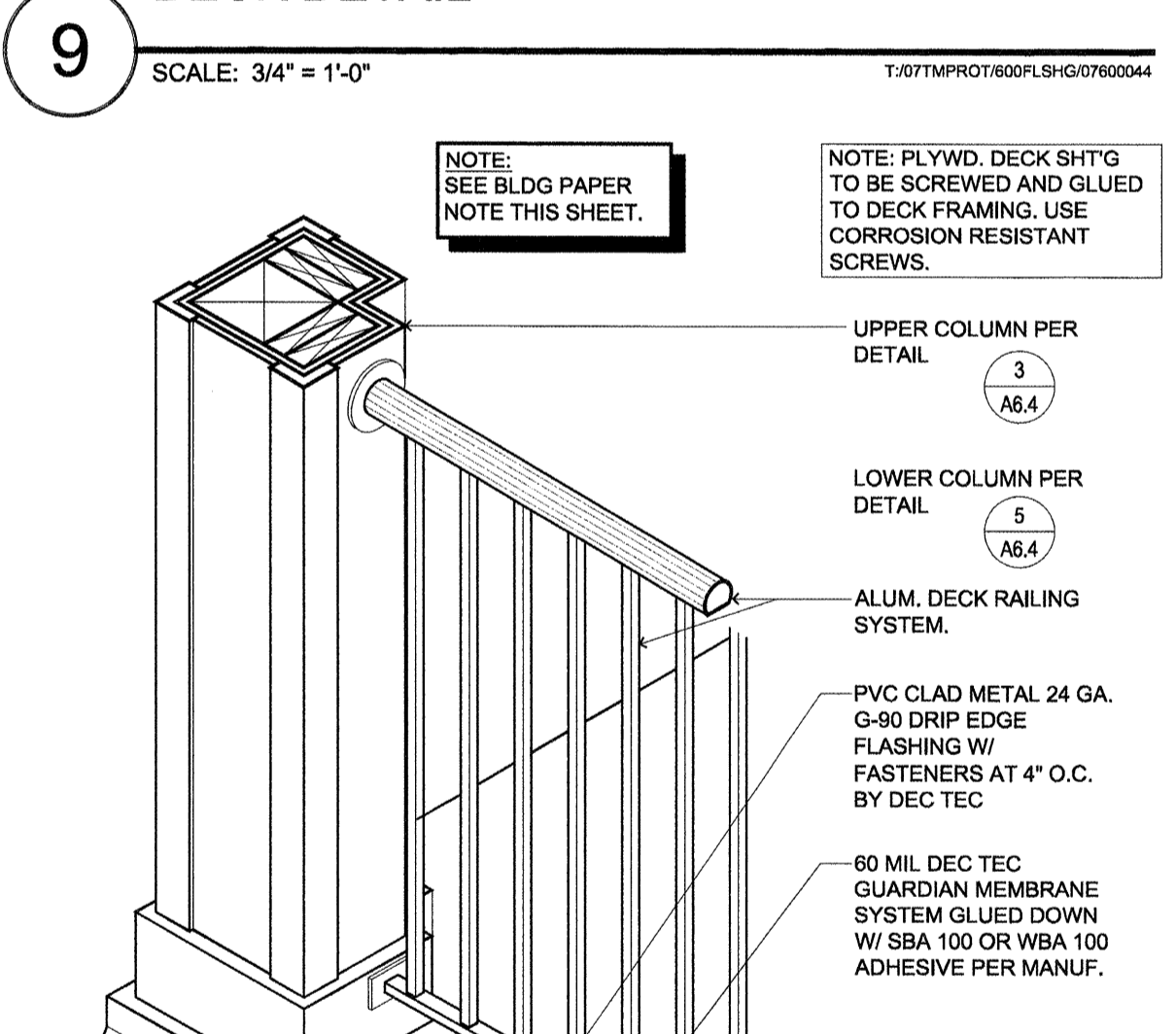
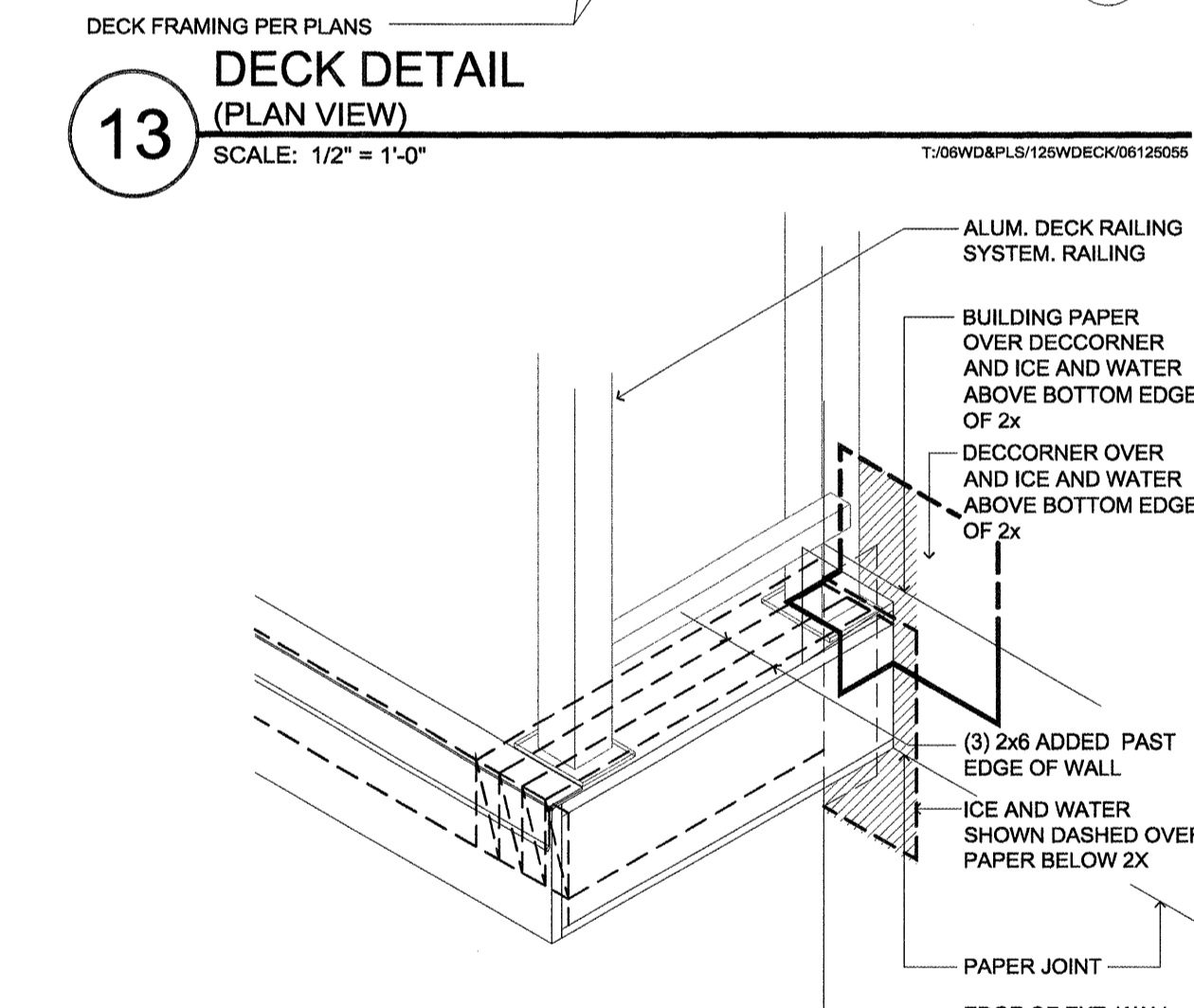
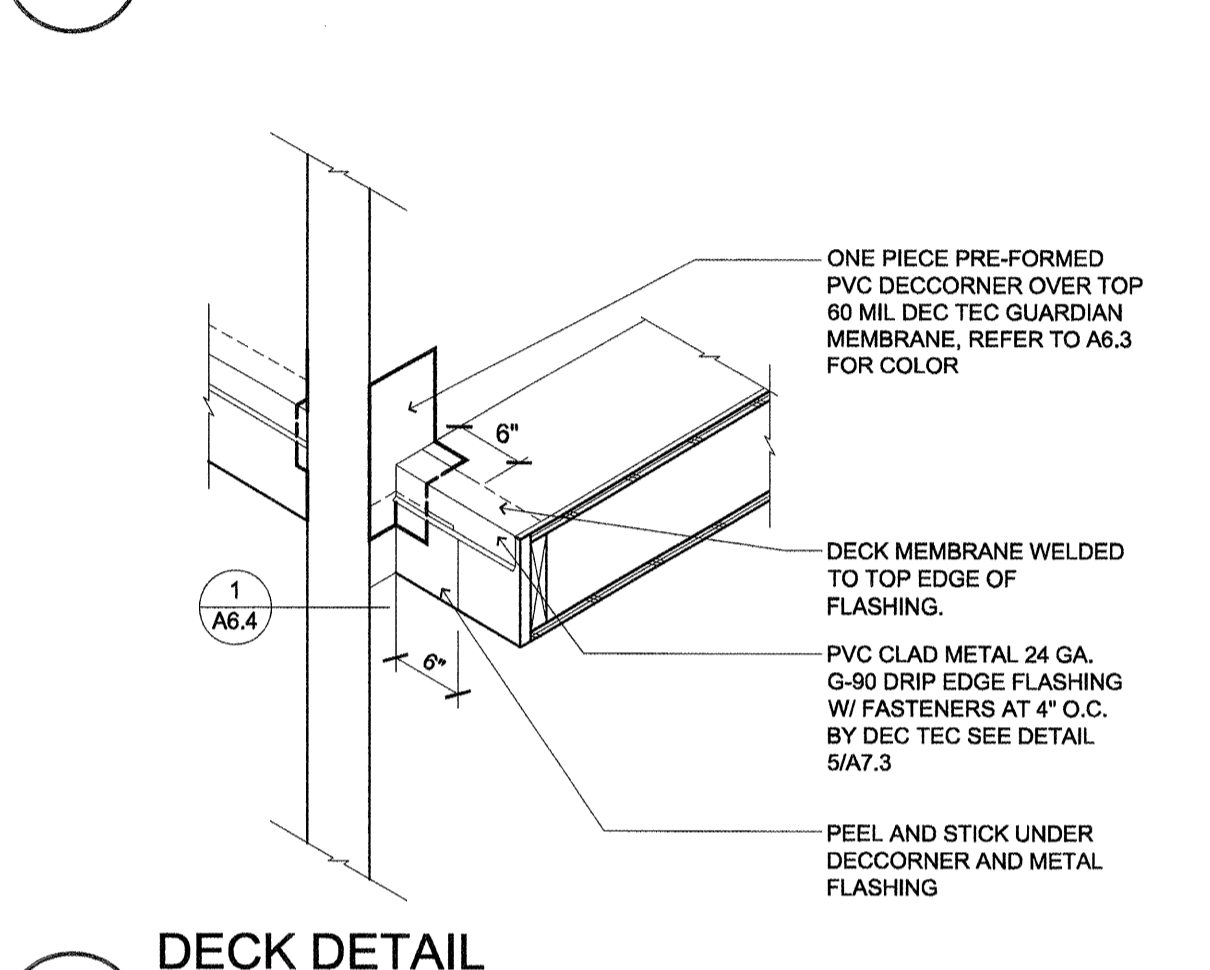
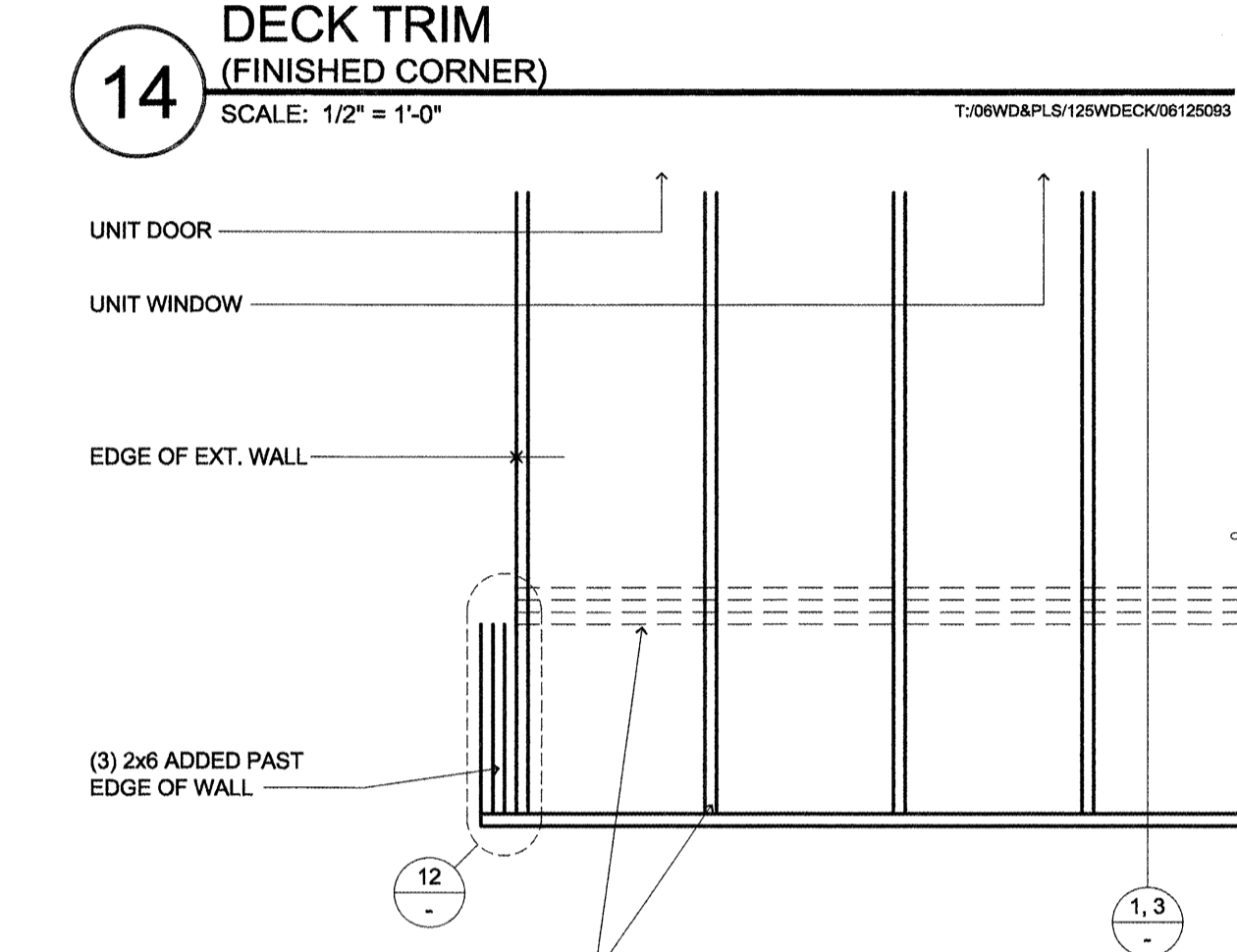
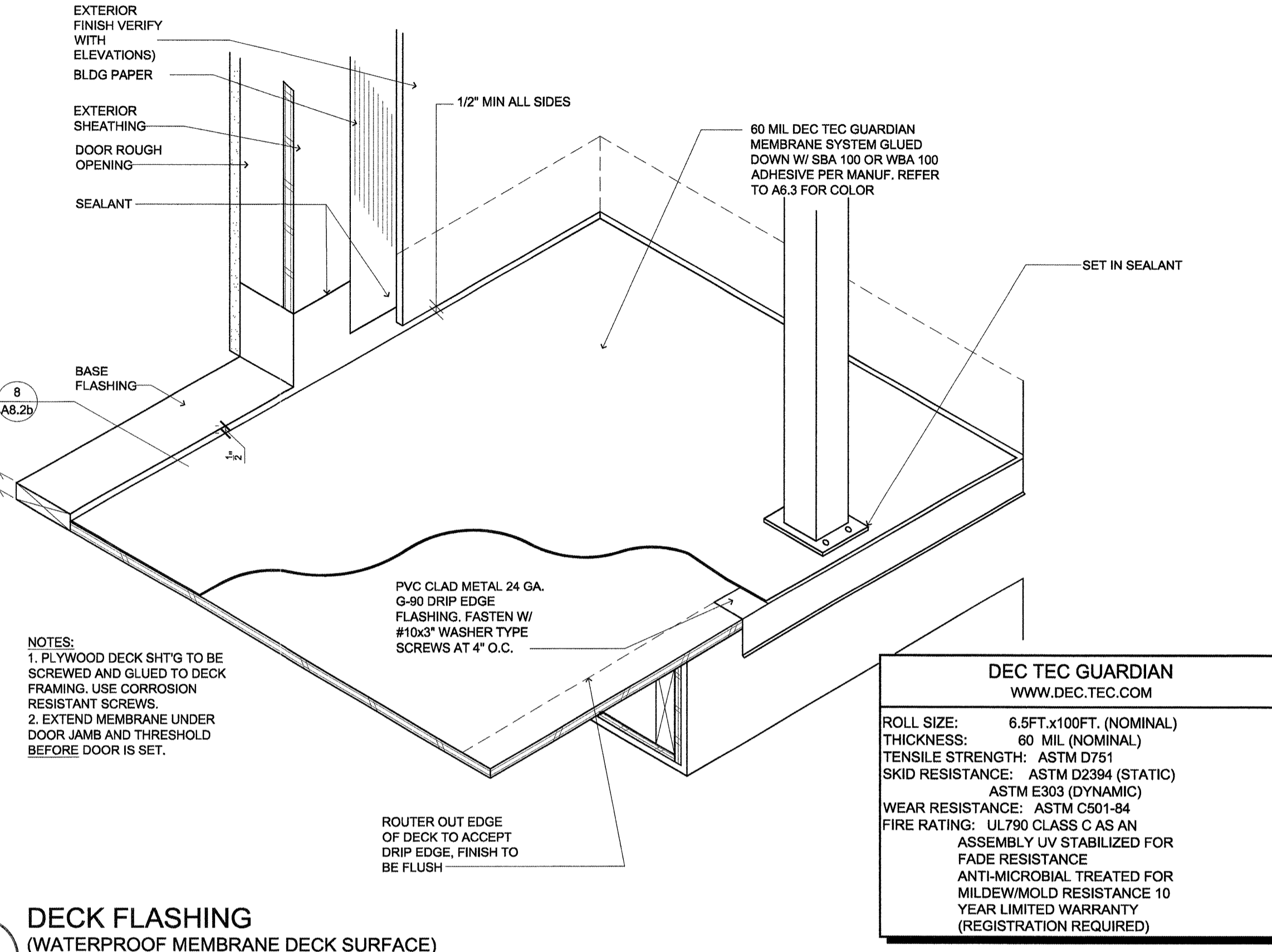
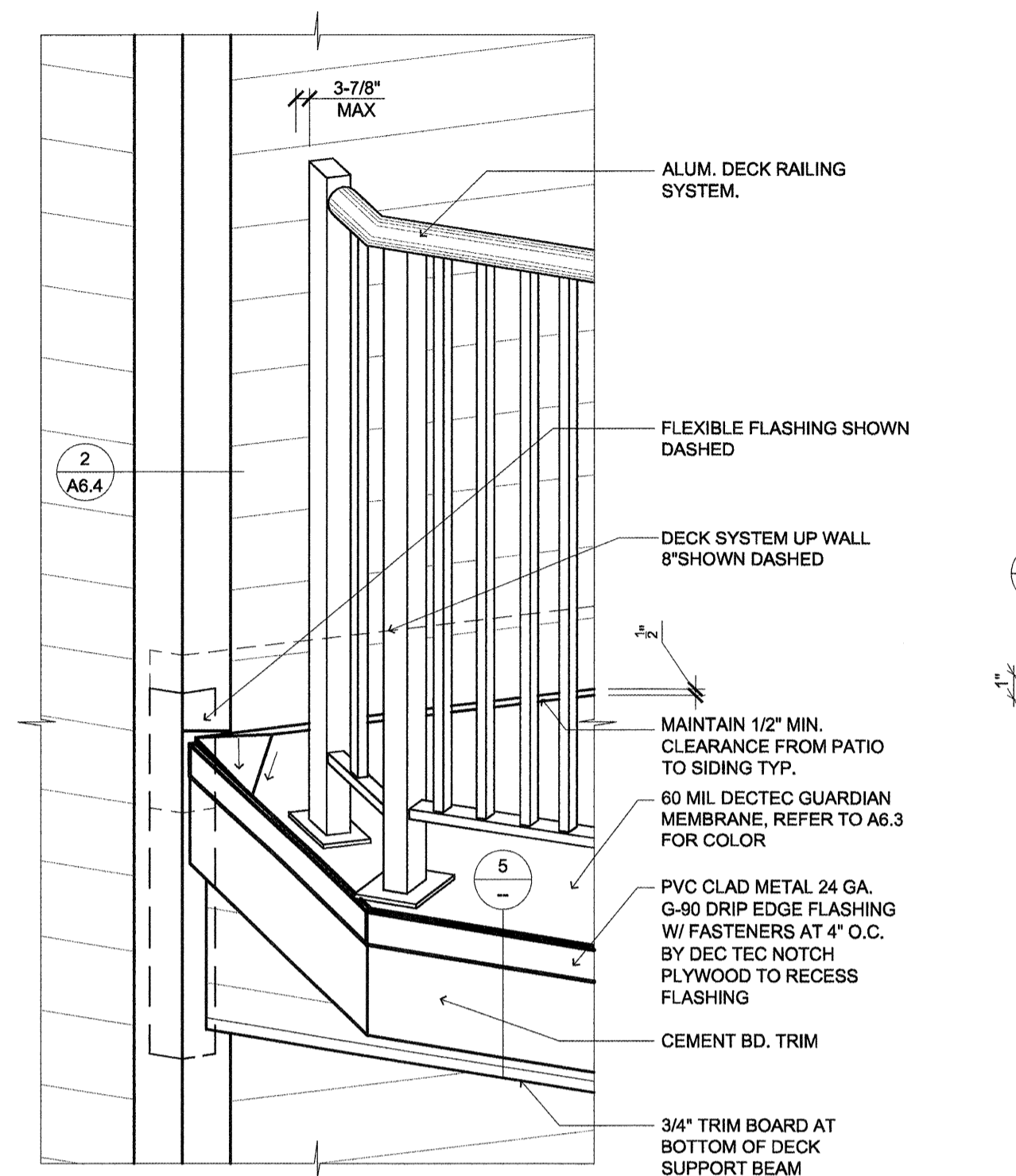


NOTE: DETAILS AND ELEVATION DEPICTED ON THIS SHEET ARE SHOWN WITH 45° WALL AND COLUMN ANGLES. ALL INFORMATION AND MATERIALS APPLY TO THIS PROJECT WHICH IS SIMILAR WITH 90° ANGLES. WINDOWS MAY BE SHOWN AS SLIDERS, ON THIS PROJECT, SINGLE HUNG WINDOWS ARE USED IN NON-DECK AREAS. REFER TO FLOOR PLANS FOR CORRECT LOCATION.



lenity architecture  
3150 Lettie Court, SE, Salem, Oregon 97301  
P: 503 399 1090 F: 503 399 0585 W: lenityarchitecture.com

COLSON AND COLSON  
GENERAL CONTRACTOR, INC.  
2280 McJILCHRIST STREET, SUITE 200  
SALEM, OREGON, 97302  
PHONE (503) 586-7401

PORTLAND  
RETIREMENT RESIDENCE  
802 OCEAN AVE., PORTLAND, MAINE 04103

DECK DETAILS  
WITH CEMENT  
WITH SIDING

DATE  
8/28/2015

REVISED DATE

SHEET  
A7.3

8/28/2015 3:52:52 PM J:\06\WDP\SL125\WDECK06125038 - 11.dwg  
 8/28/2015 3:52:52 PM J:\06\WDP\SL125\WDECK06125038 - 11.dwg  
 8/28/2015 3:52:52 PM J:\06\WDP\SL125\WDECK06125038 - 11.dwg