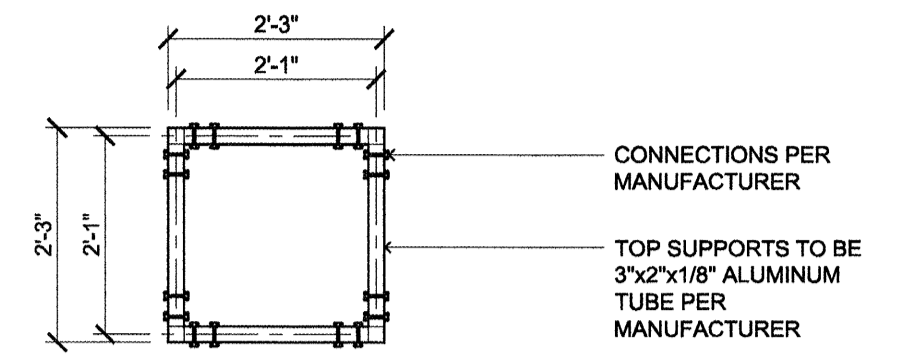


lenity
architecture
3150 Kettle Court SE, Salem, Oregon 97301
P: 503 395 1030 F: 503 395 0585 W: lenityarchitecture.com

COLSON AND COLSON
GENERAL CONTRACTOR, INC.
2260 McJILCHRIST STREET SE, SUITE 200
SALEM, OREGON, 97302
PHONE (503) 586-7401

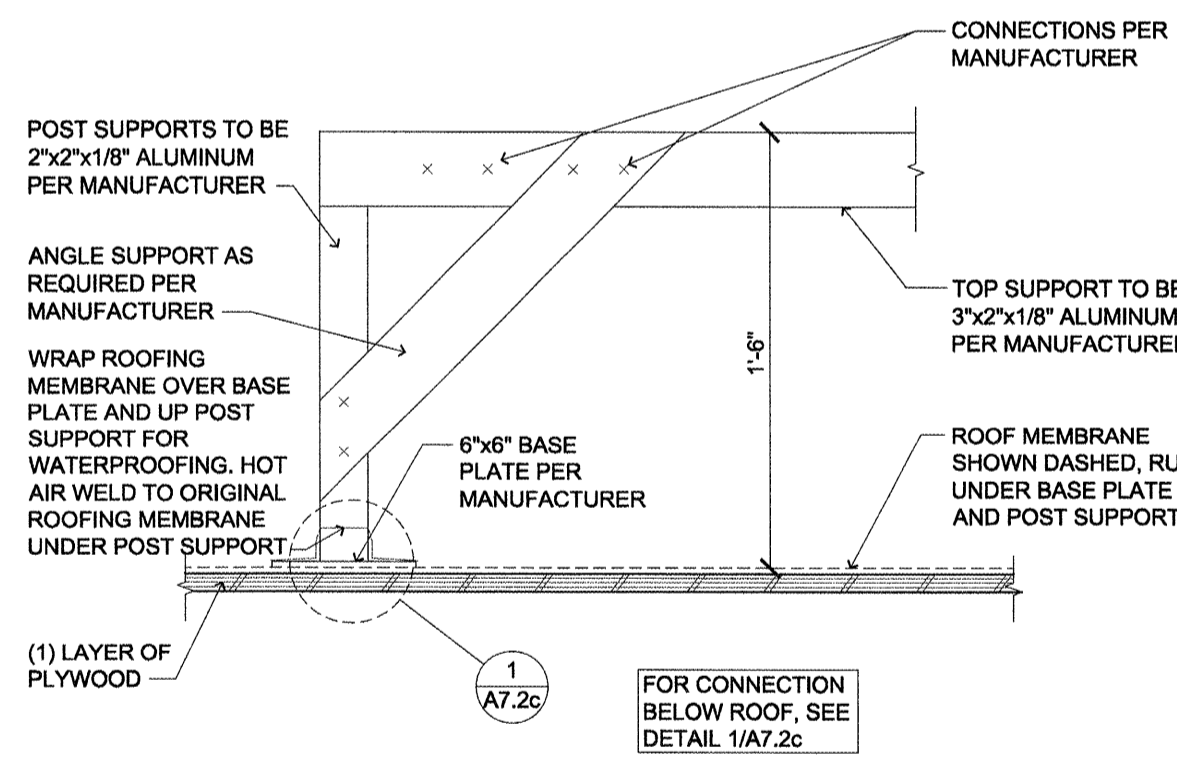
PORTLAND
RETIREMENT RESIDENCE
802 OCEAN AVE., PORTLAND, MAINE 04103

ROOF DETAILS

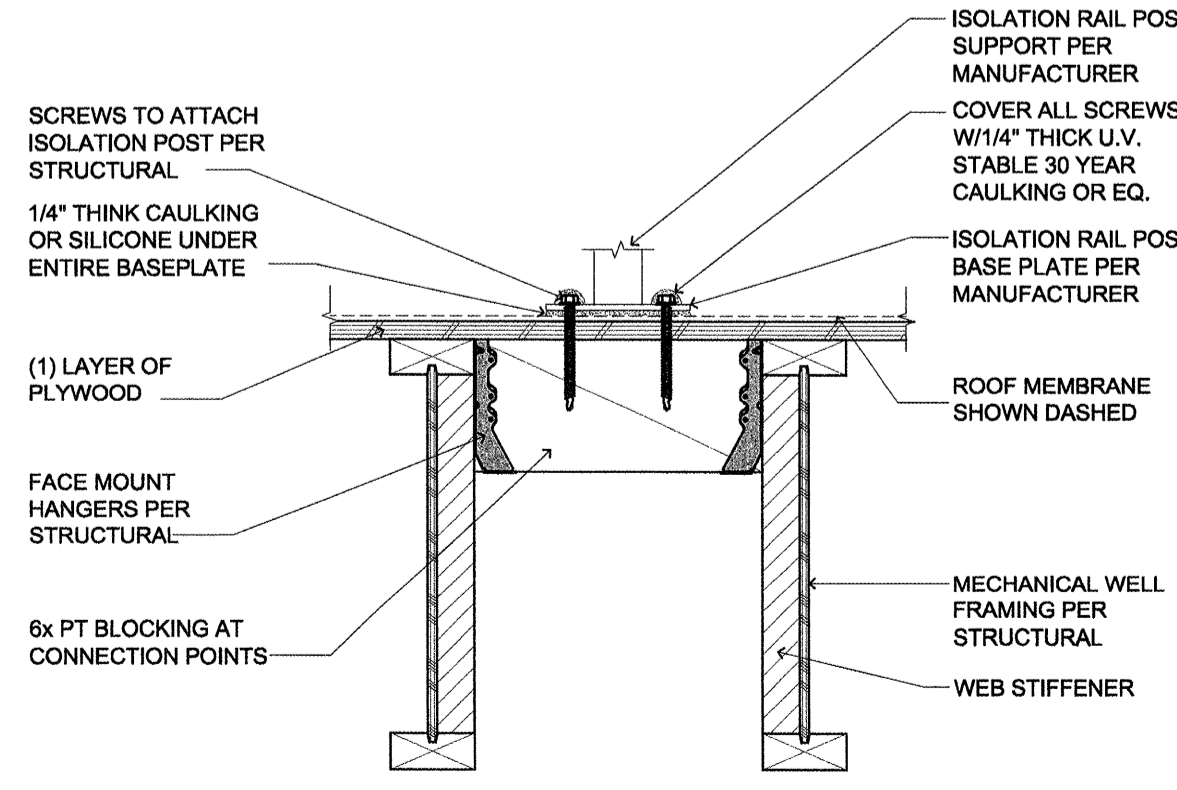


SEE DETAILS 1 AND 2 FOR FLASHING AND CONNECTION TO ROOF

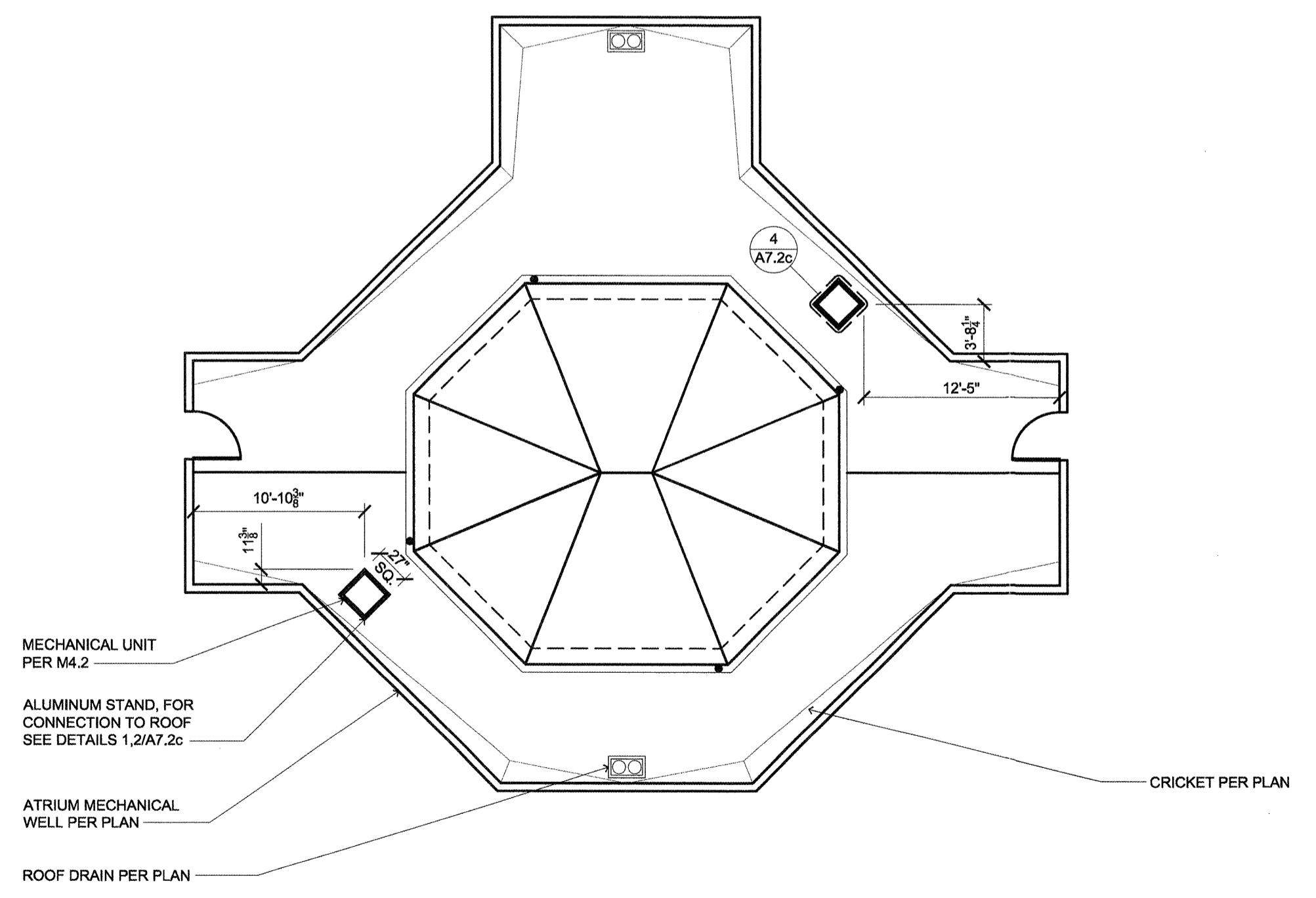
4 ALUMINUM STAND
(TOP VIEW AT ATRIUM MECHANICAL WELL)
SCALE: 1/2" = 1'-0" T:\07\MP\PROT\600\FLSHG\07600147



2 ALUMINUM STAND ATTACHMENT (FLASHING)
SCALE: 1-1/2" = 1'-0" T:\07\MP\PROT\600\FLSHG\07600146



1 ALUMINUM STAND ATTACHMENT (ROOF CONNECTION)
SCALE: 1-1/2" = 1'-0" T:\07\MP\PROT\600\FLSHG\07600146



5 ISOLATION RAILS
(LOCATION AT ATRIUM MECHANICAL WELL)
SCALE: 1/8" = 1'-0" T:\07\MP\PROT\600\FLSHG\07600151

DATE	8/28/2015
REVISED DATE	
SHEET	A7.2c