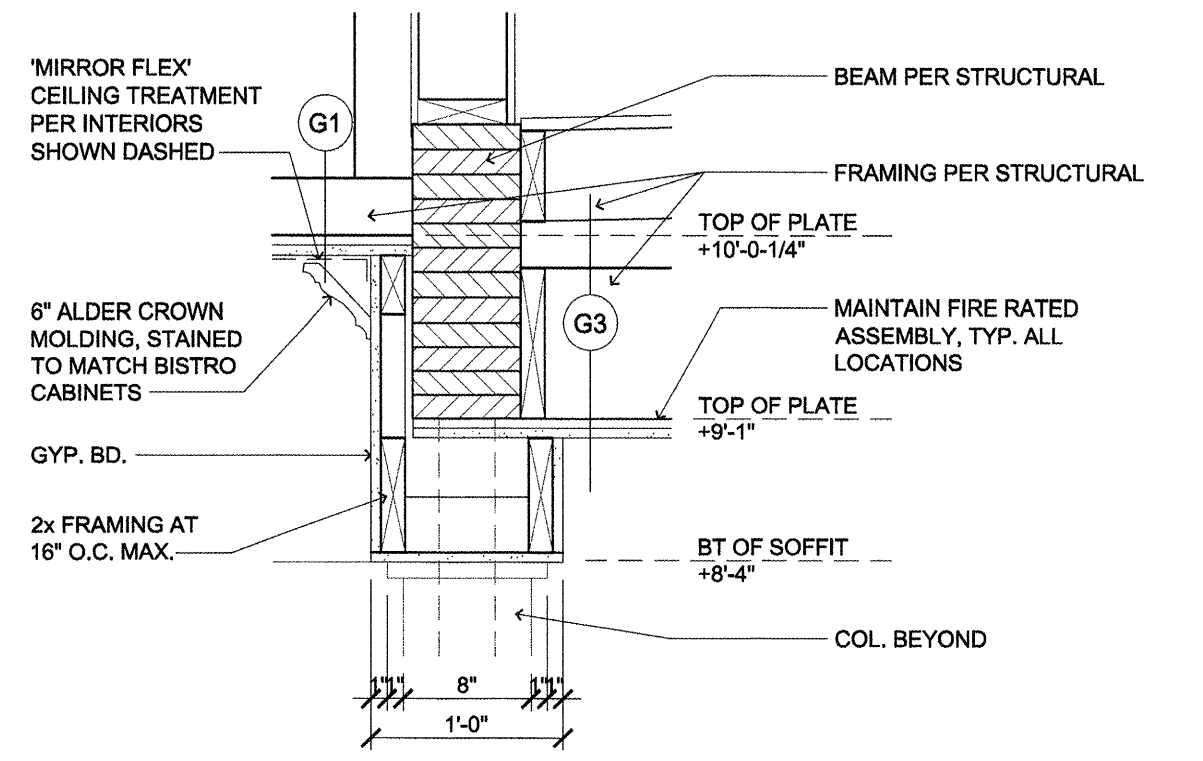
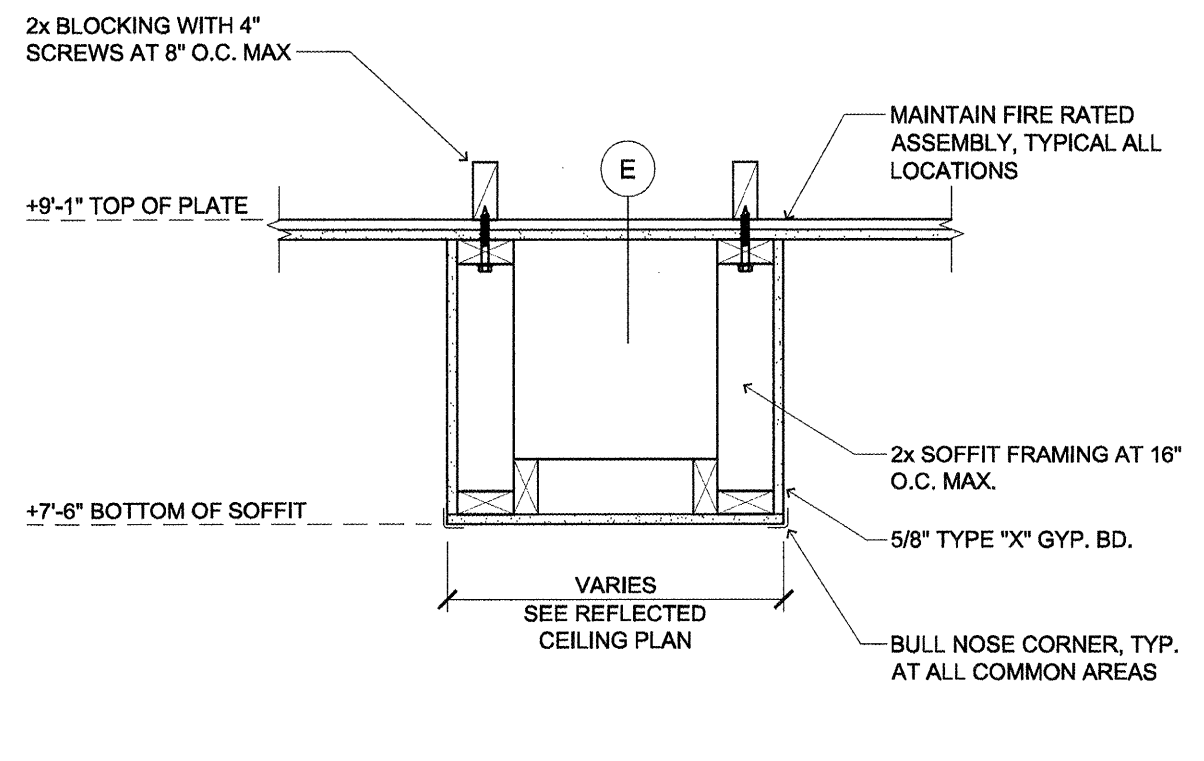


NOT USED

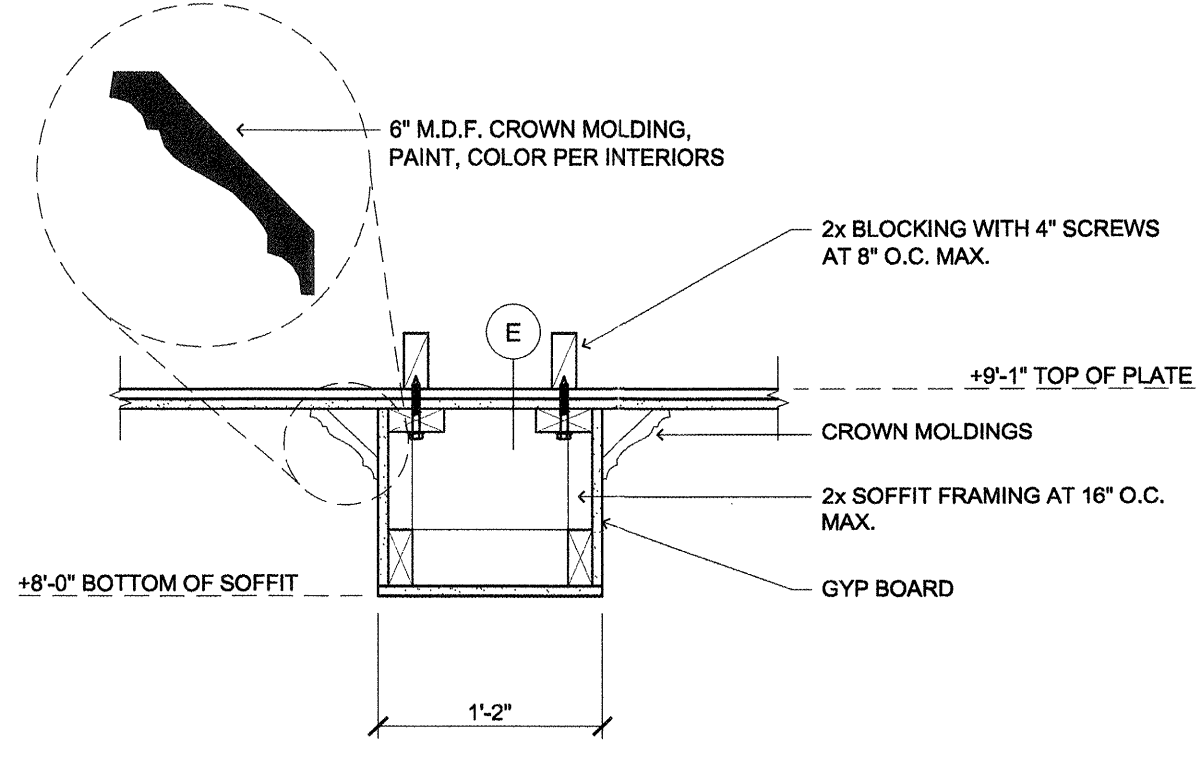
19



15 SOFFIT DETAIL (BISTRO) SCALE: 1"=1'-0"



11 SOFFIT DETAIL (BISTRO) SCALE: 1"=1'-0"



7 COFFERED CEILING (DINING ROOM) SCALE: 1"=1'-0"

NOTE: DIMENSIONS OF SOFFITS ON 1ST FLOOR ARE TAKEN FROM FINISH FLOOR. DIMENSIONS OF SOFFITS ON 2ND FLOOR AND ABOVE ARE TAKEN FROM TOP OF PLYWOOD.

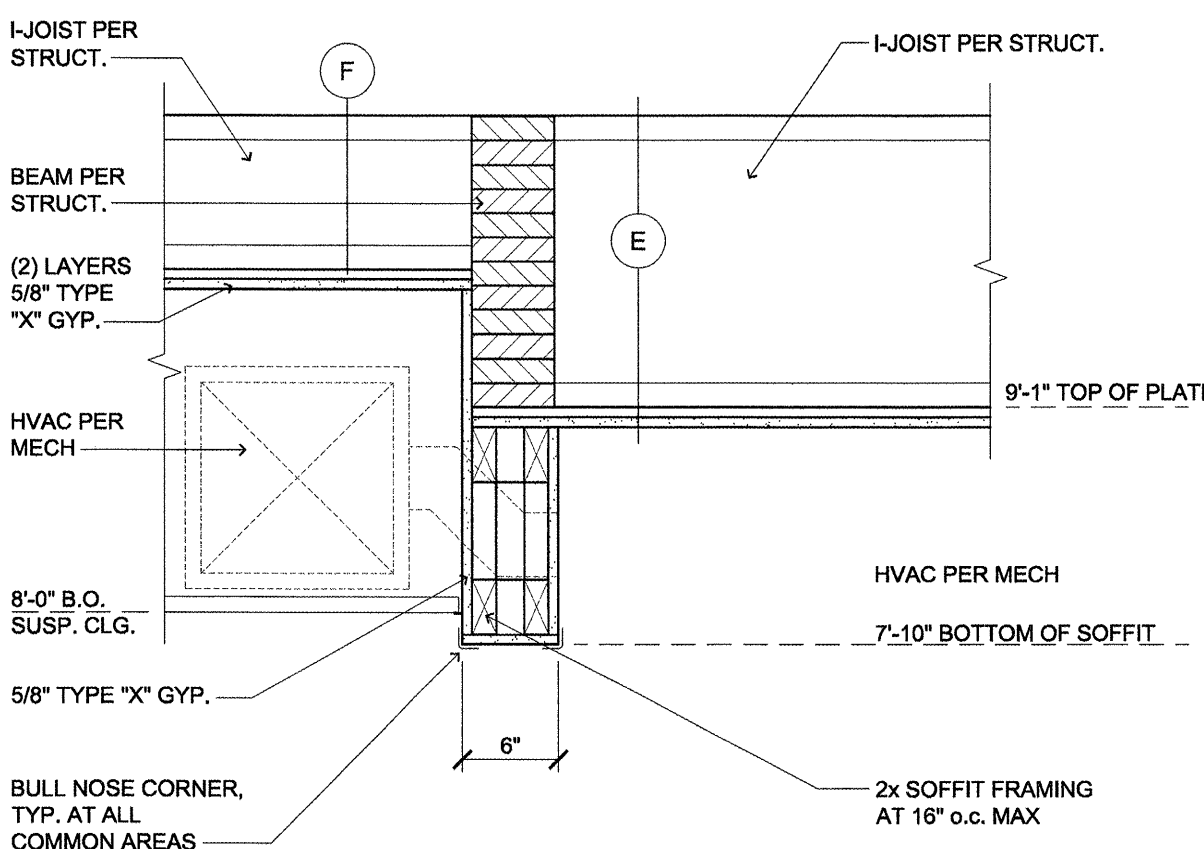
NOTE: SOFFITS CAN BE FRAMED USING METAL STUDS, CONTRACTORS OPTION.

NOTE: DIMENSIONS MIN. CONTINUOUS FULL LENGTH OF SOFFIT. ATTACH SOFFIT FRAMING WITH 4" SCREWS AT 8" O.C. MAX.

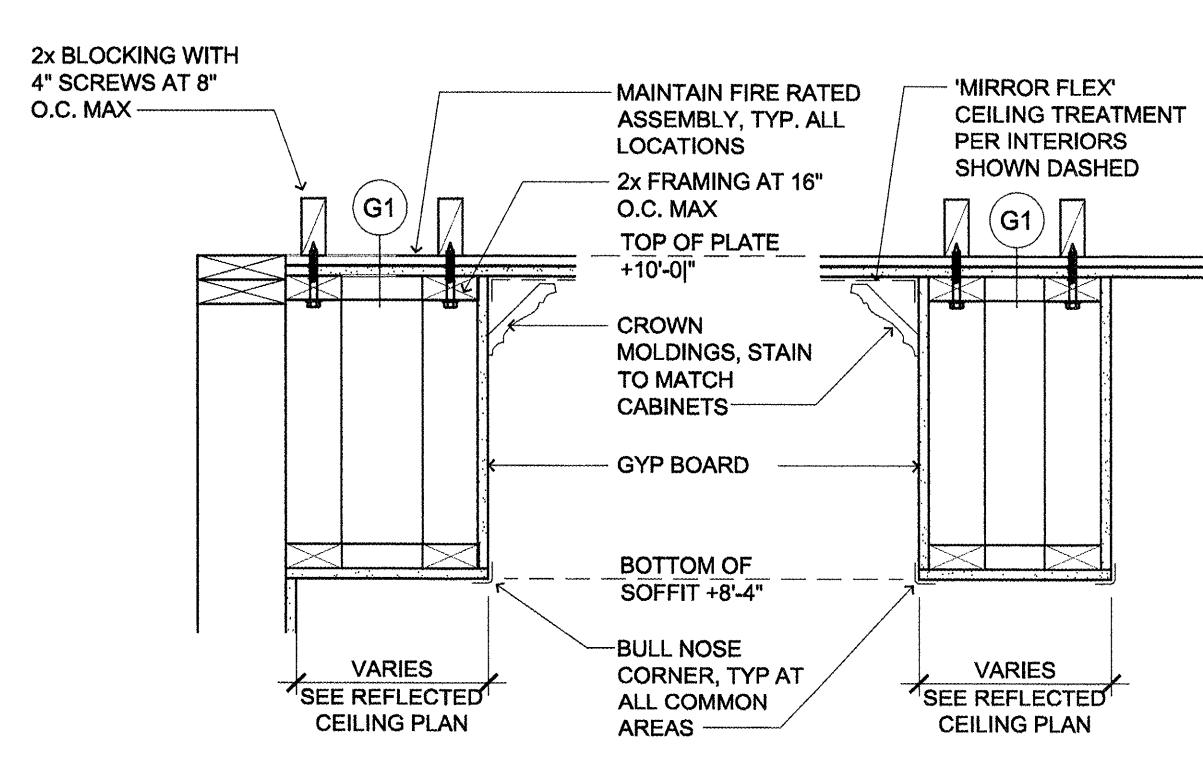
NOTE: WHERE POSSIBLE, PROVIDE DIAGONAL BLOCKING IN SOFFITS WIDER THAN 18".

NOT USED

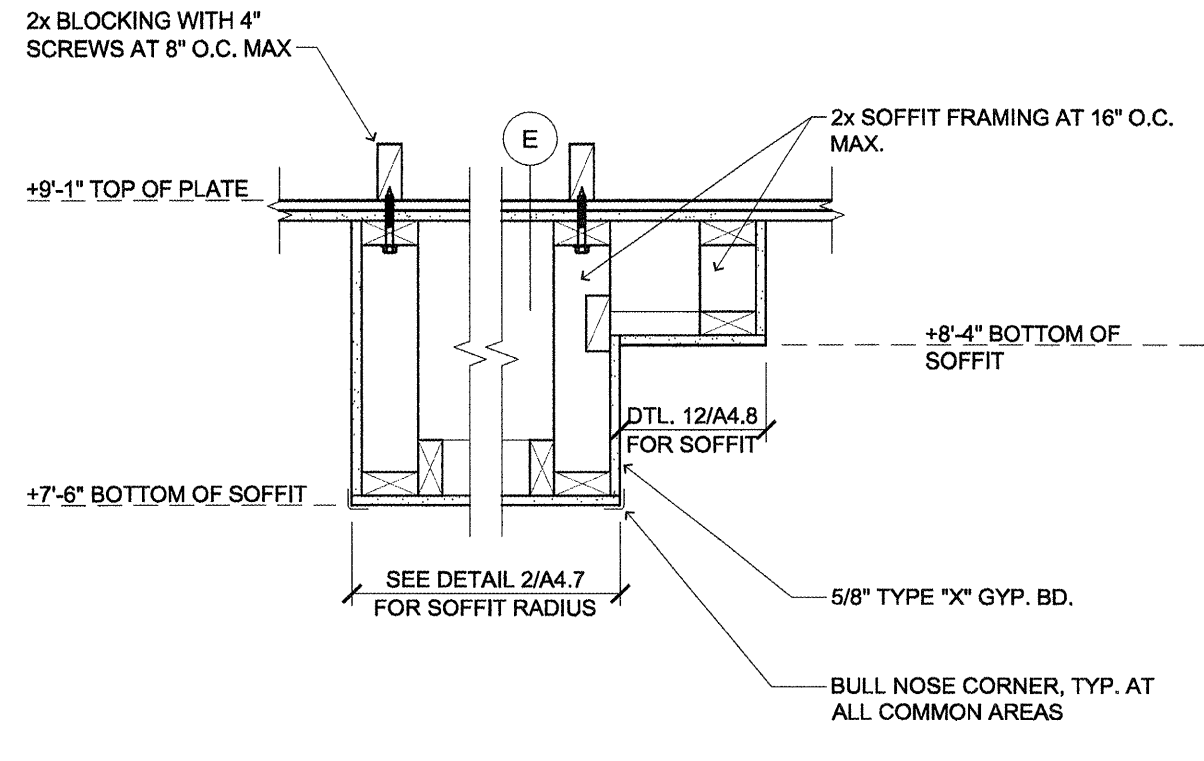
18



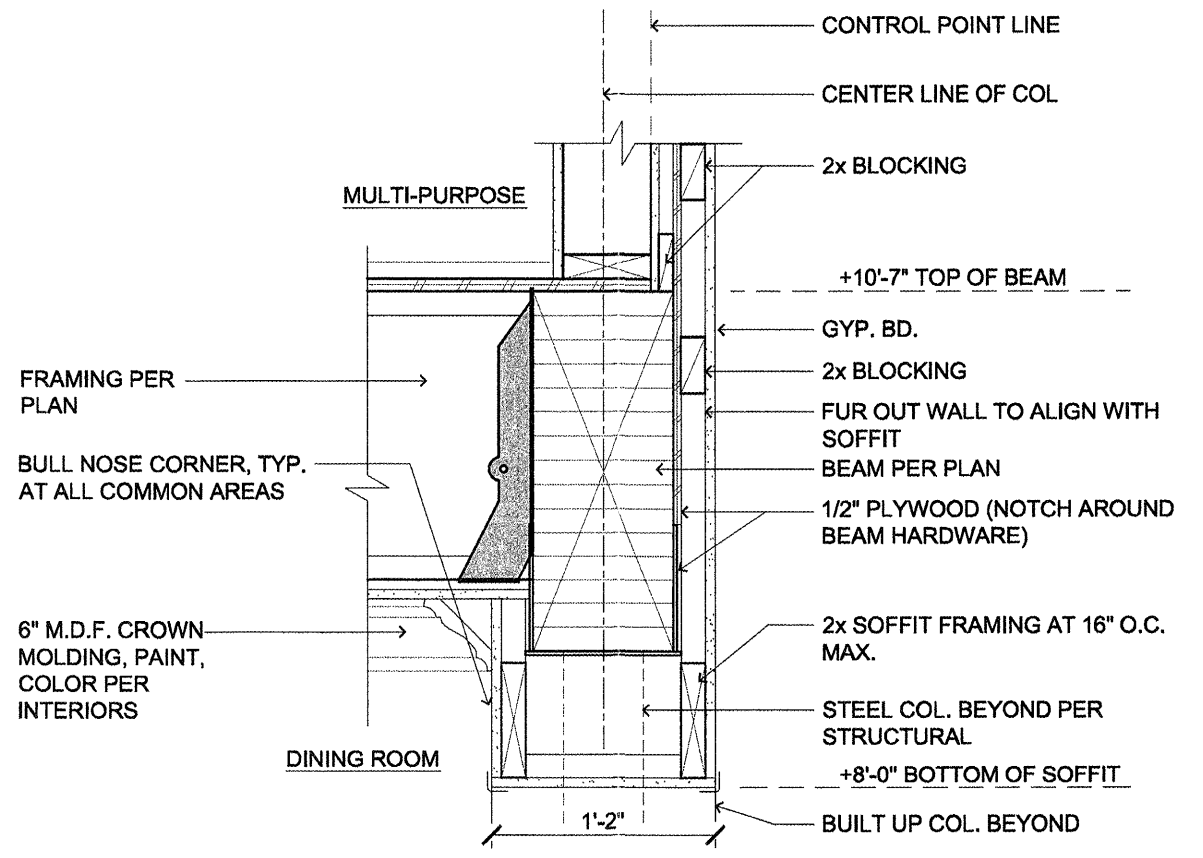
17 SOFFIT DETAIL (TV ROOM) SCALE: 1"=1'-0"



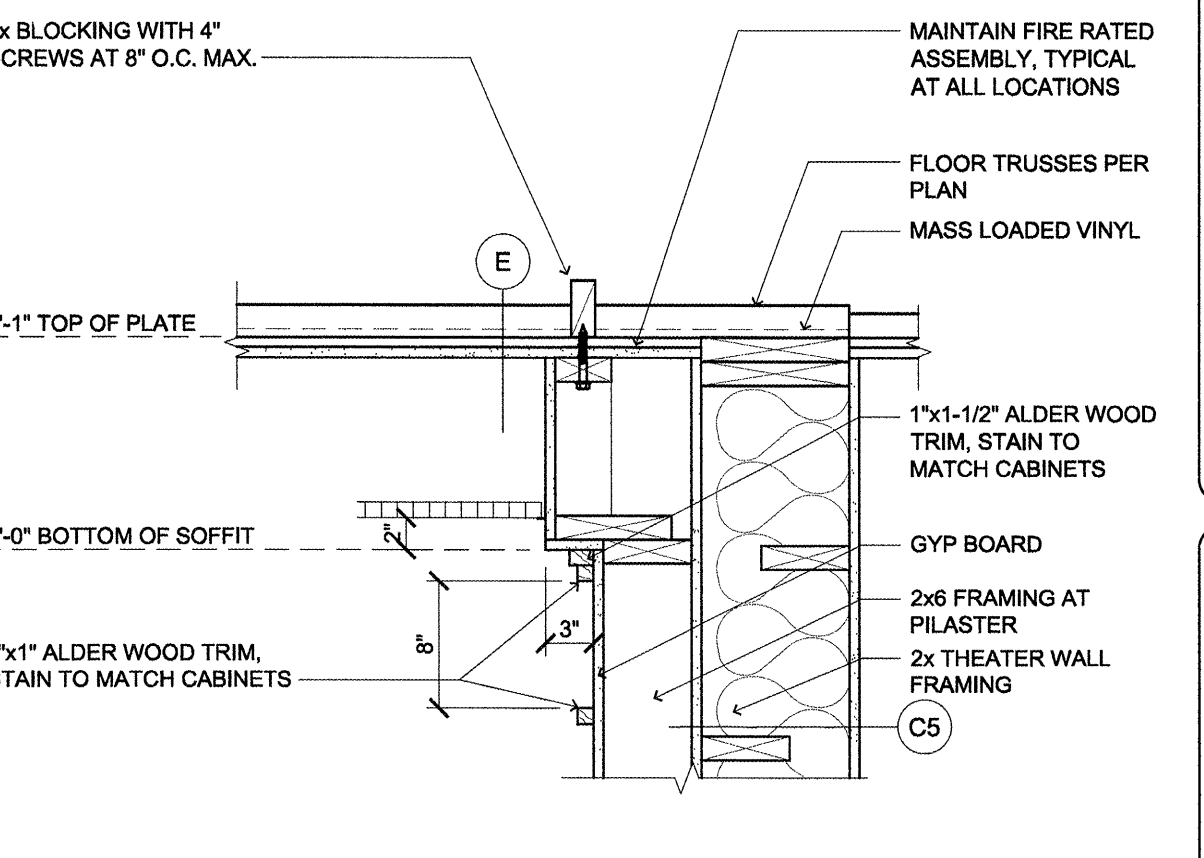
14 SOFFIT DETAIL (BISTRO) SCALE: 1"=1'-0"



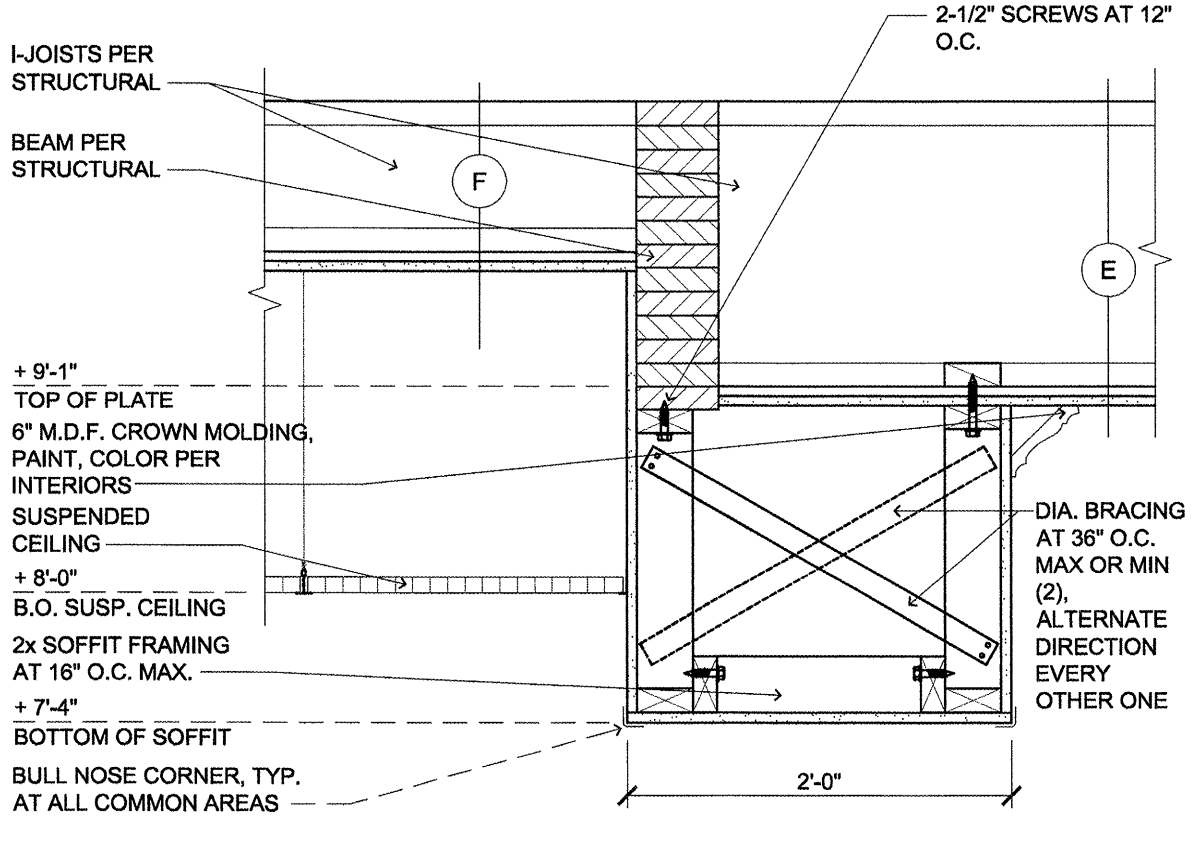
10 SOFFIT DETAIL (BISTRO) SCALE: 1"=1'-0"



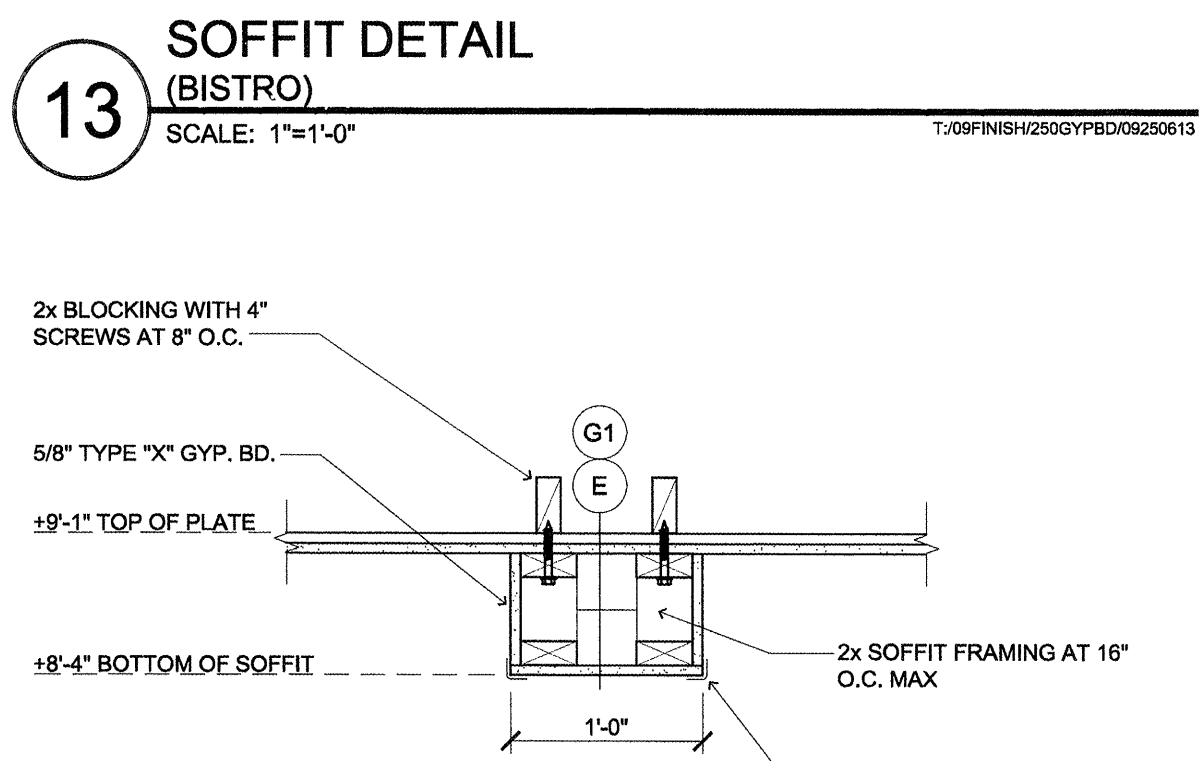
6 COFFERED CEILING (DINING ROOM) SCALE: 1"=1'-0"



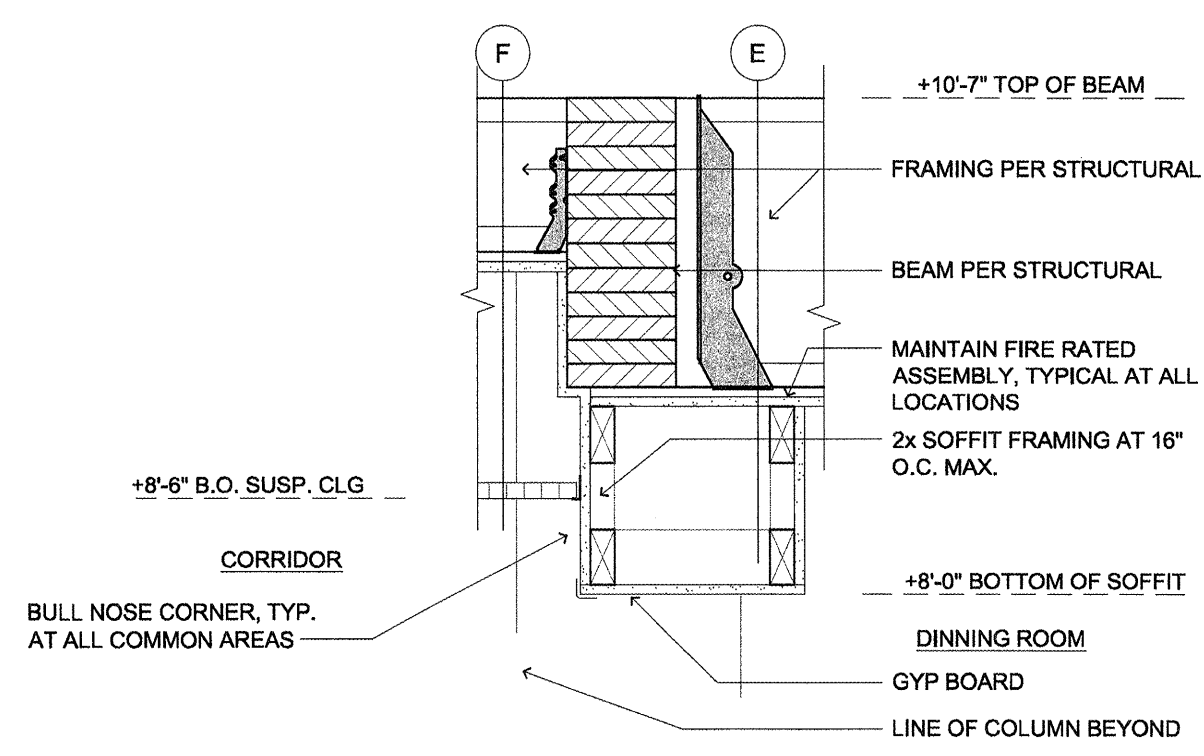
3 PILASTER (AT MEDIA ROOM) SCALE: 1"=1'-0"



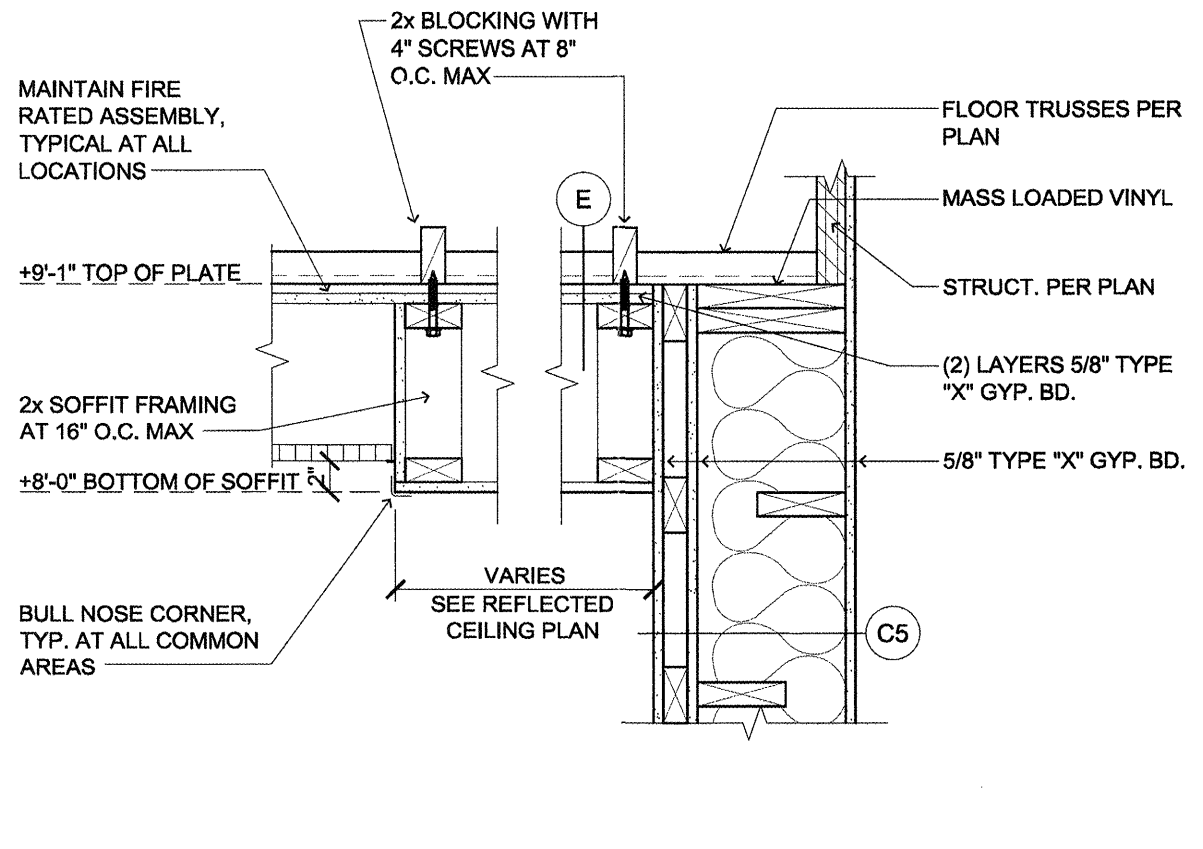
16 SOFFIT DETAIL (MULTIPURPOSE) SCALE: 1"=1'-0"



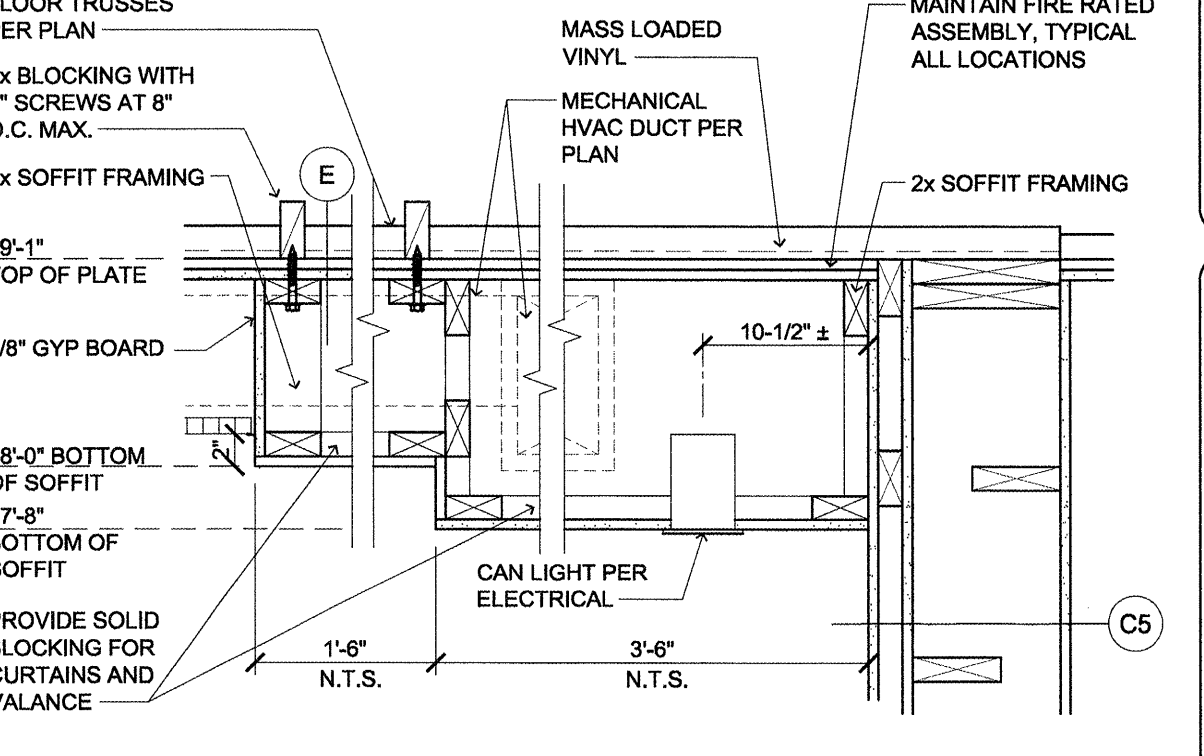
13 SOFFIT DETAIL (BISTRO) SCALE: 1"=1'-0"



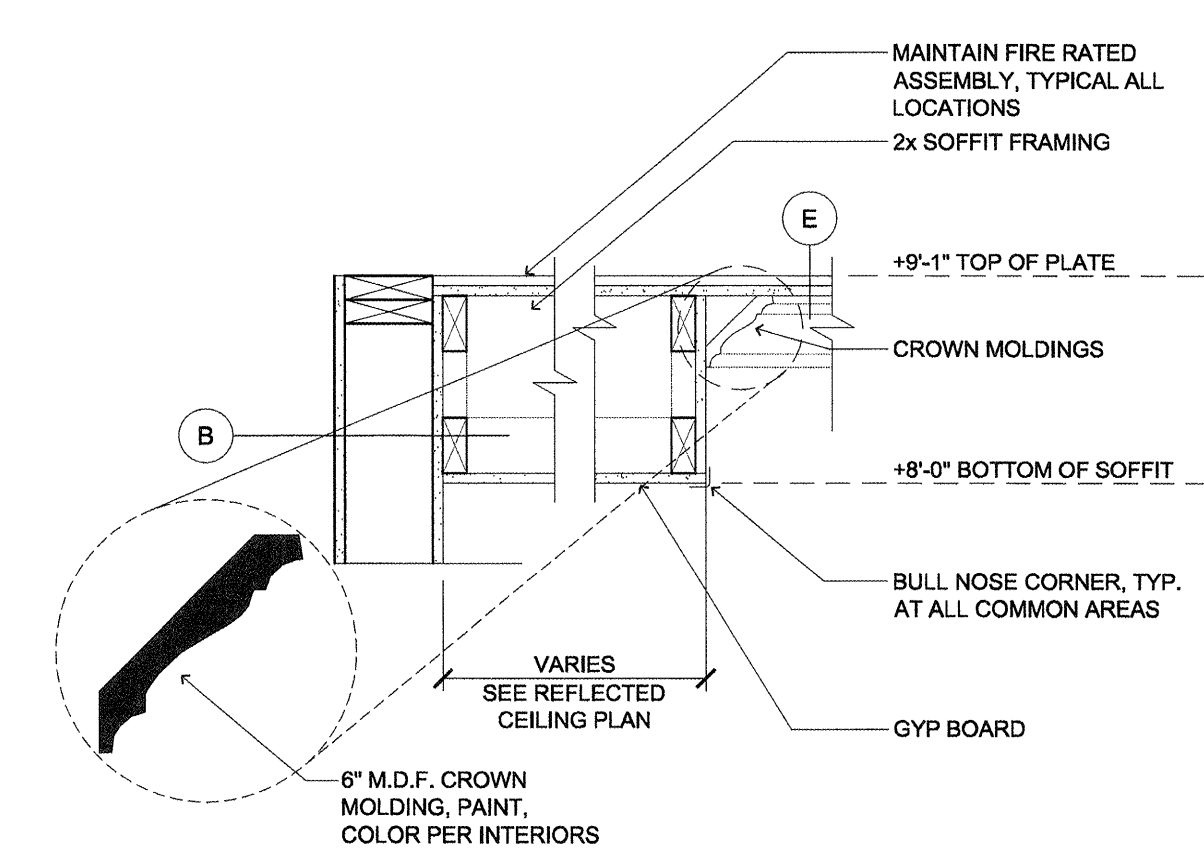
9 COFFERED CEILING (DINING ROOM / CORRIDOR) SCALE: 1"=1'-0"



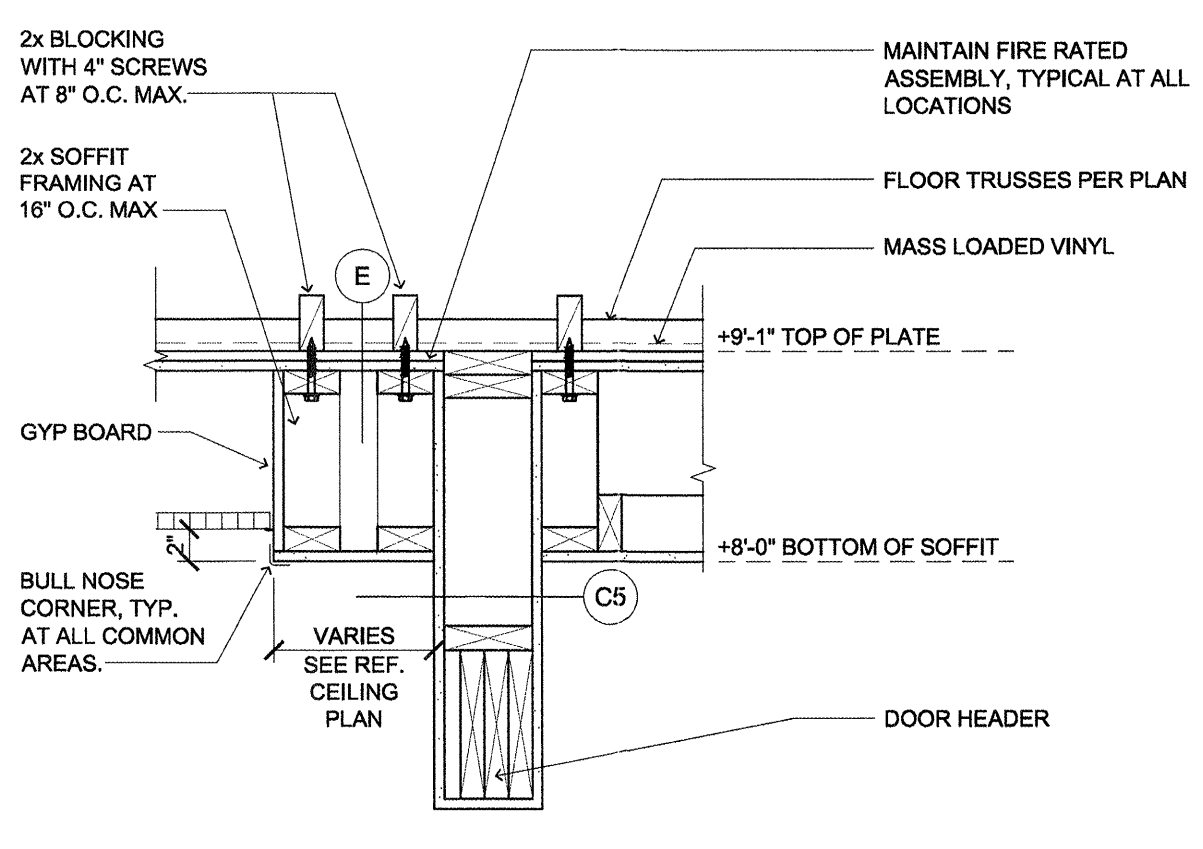
5 COFFERED CEILING (MEDIA ROOM OVER CABINETS) SCALE: 1"=1'-0"



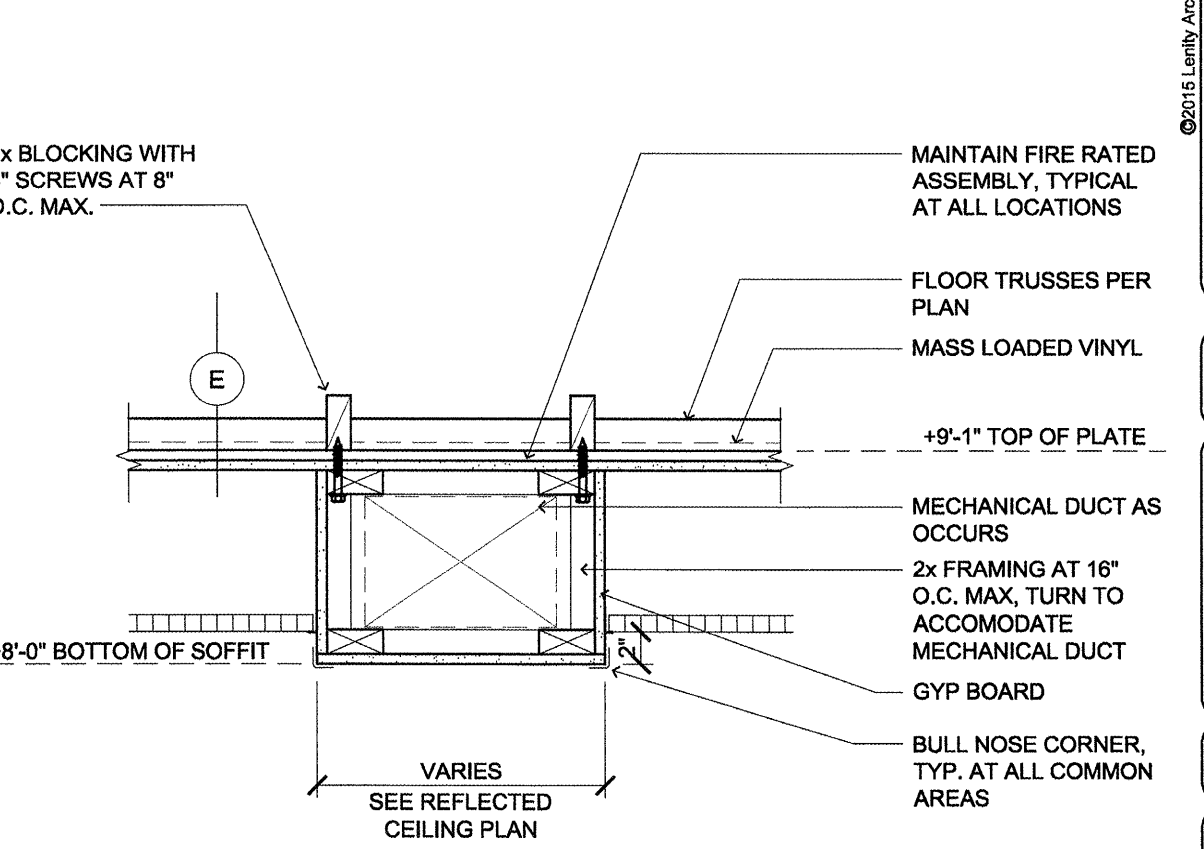
2 COFFERED CEILING (MEDIA ROOM CEILING EDGE) SCALE: 1"=1'-0"



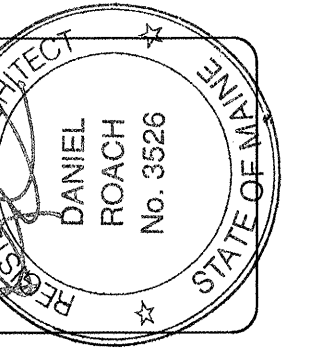
8 COFFERED CEILING (DINING ROOM) SCALE: 1"=1'-0"



4 COFFERED CEILING (MEDIA ROOM AT DOOR) SCALE: 1"=1'-0"



1 COFFERED CEILING (MEDIA ROOM CEILING MID SPAN) SCALE: 1"=1'-0"



lenity architecture 3150 Lettie Court SE, Salem, Oregon 97301 P: 503 398 1090 F: 503 398 0505

COLSON AND COLSON GENERAL CONTRACTOR, INC. 2280 McMillen Street SE, Suite 200 Salem, Oregon, 97302 PHONE (503) 586-7401

PORTLAND RETIREMENT RESIDENCE 802 OCEAN AVE., PORTLAND, MAINE 04103

CEILING DETAILS

DATE 8/28/2015

REVISED DATE

SHEET

A4.8

©2015 Lenity Architecture