

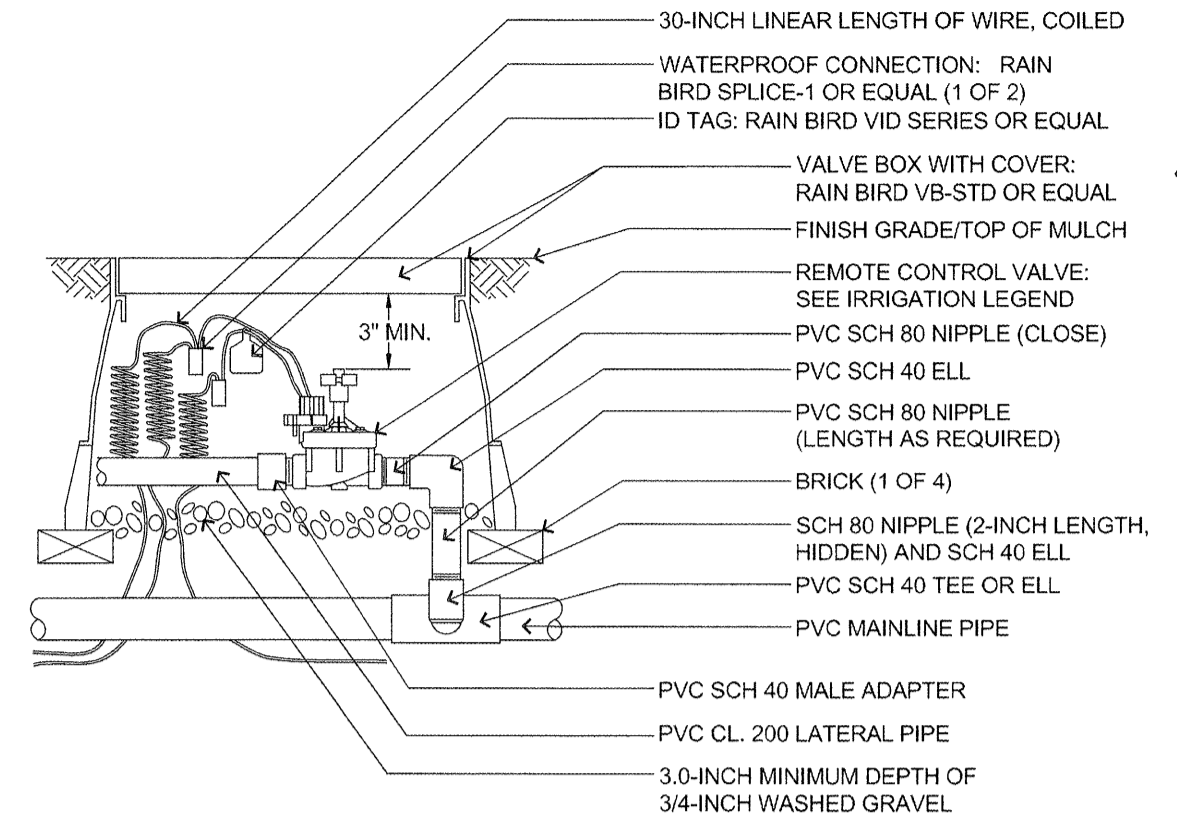
lenity
architecture
3150 Kennebec Street, Suite 200
Salem, Oregon 97302
P: 503.399.1950 F: 503.399.0385
www.lenityarchitecture.com

COLSON AND COLSON
GENERAL CONTRACTOR, INC.
2280 McGillchrist Street, Suite 200
Salem, Oregon, 97302
PHONE (503) 586-7401

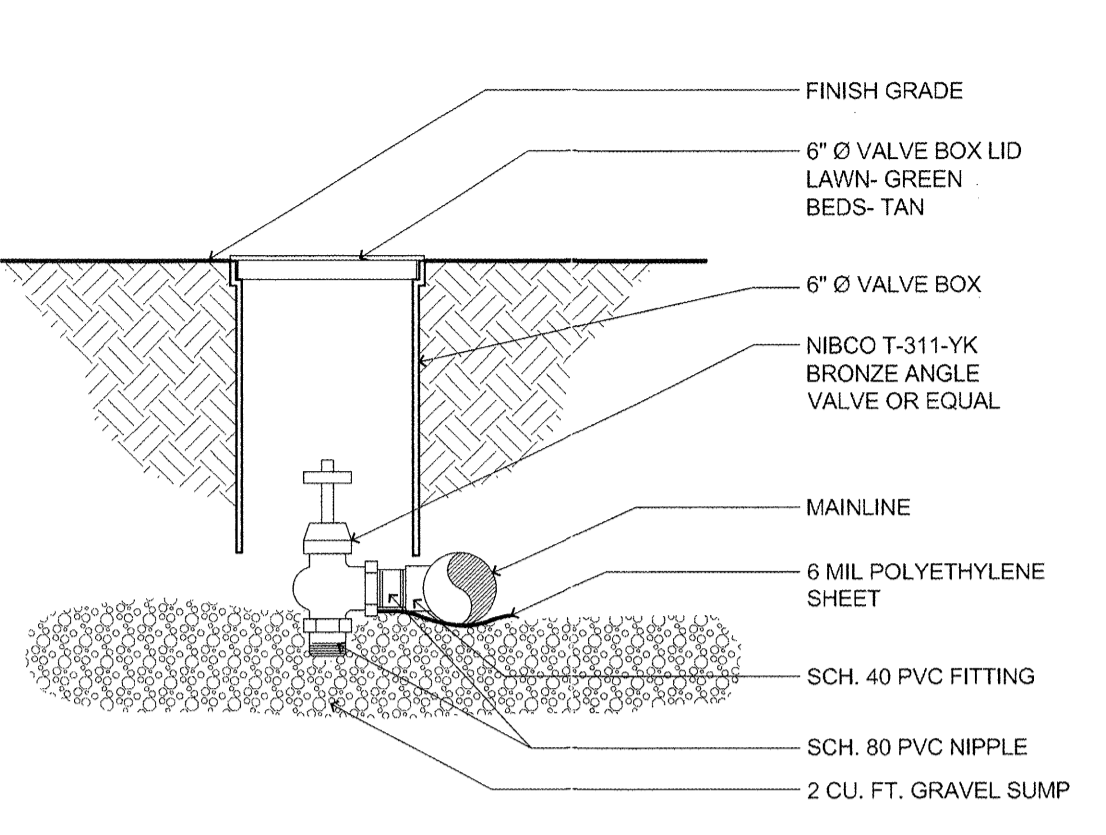
PORTLAND
RETIREMENT RESIDENCE
802 OCEAN AVE. PORTLAND, MAINE 04103

IRRIGATION
DETAILS

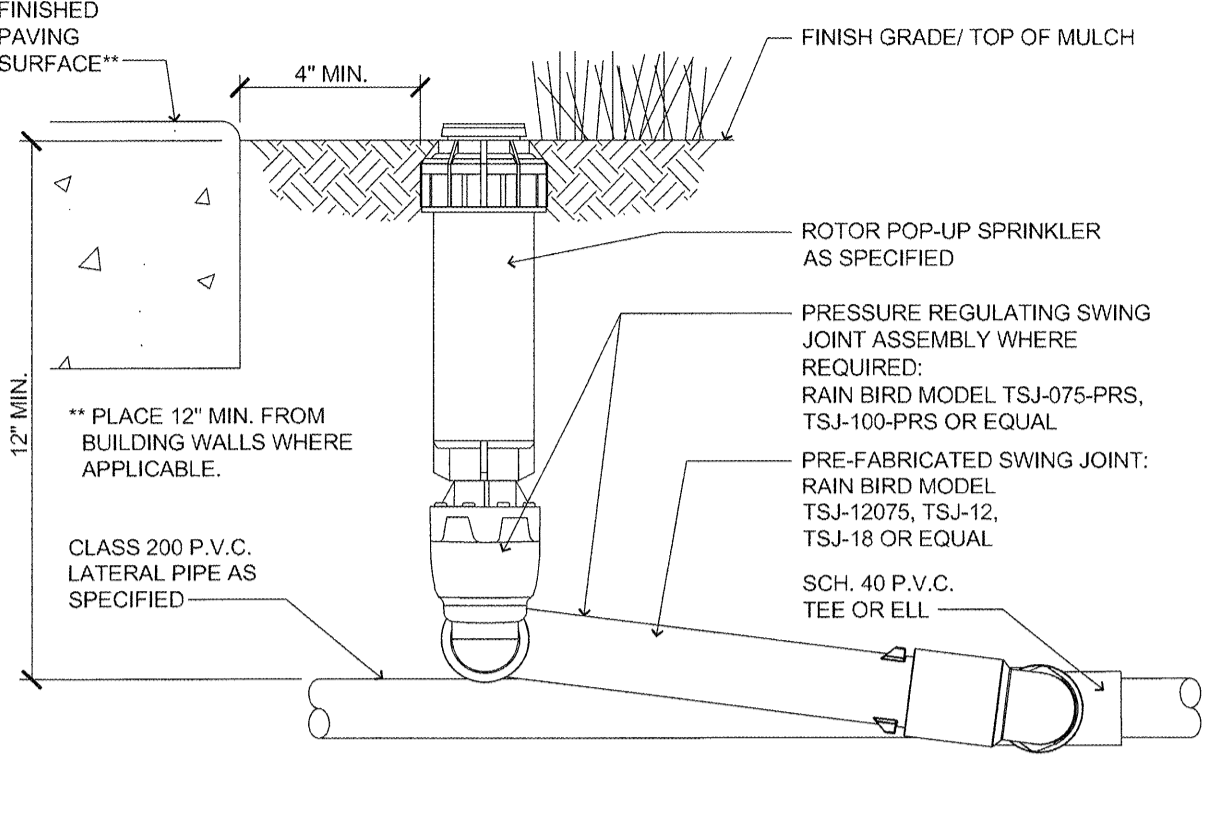
DATE: 8/28/2015
REVISED DATE: 9/22/2015
SHEET: A1.4a



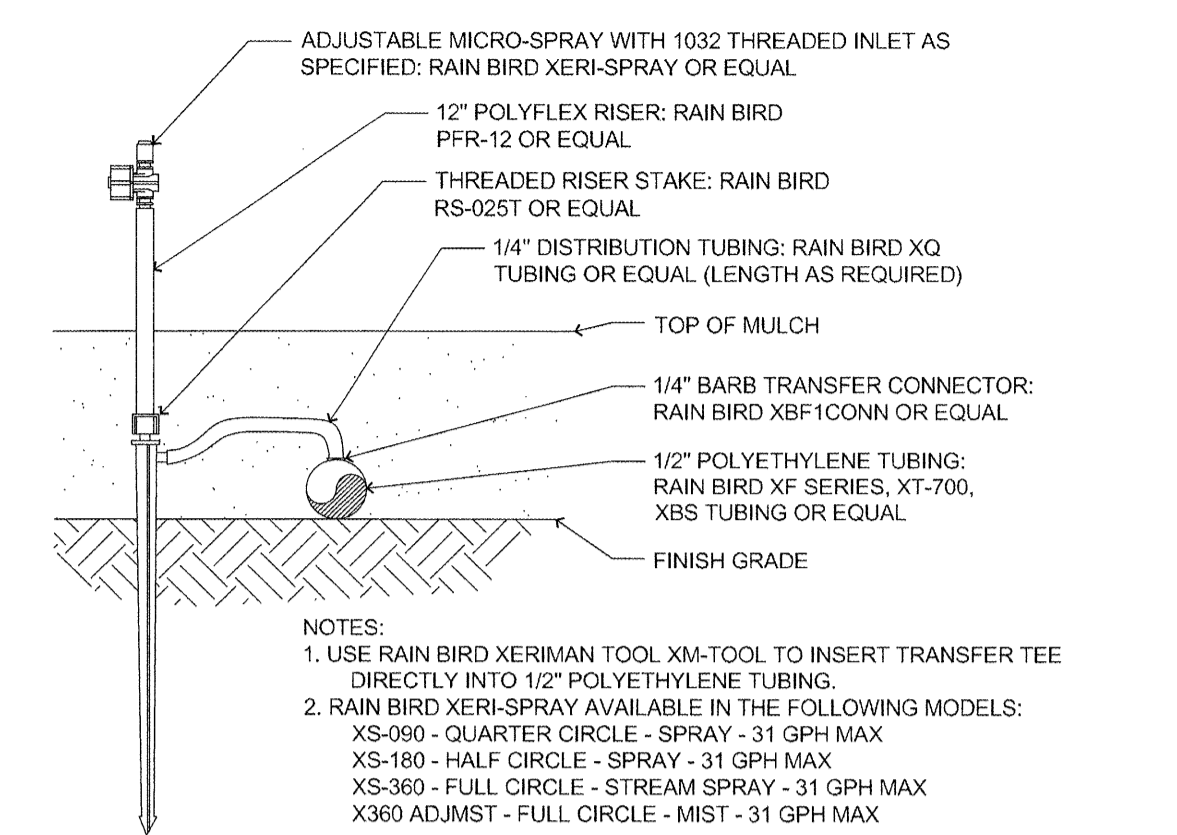
4 ELECTRIC VALVE ASSEMBLY (IRRIGATION DETAIL)
SCALE: NOT TO SCALE



8 MANUAL DRAIN VALVE (IRRIGATION DETAIL)
SCALE: NOT TO SCALE



12 ROTOR POP-UP SPRINKLER (4", 6", & 12" MODELS)
SCALE: NOT TO SCALE



16 XERI-SPRAY ON POLY-FLEX RISER (1032 THREADED MICRO-SPRAY-STAKE INTO 1/2" POLY. PIPE)
SCALE: NOT TO SCALE

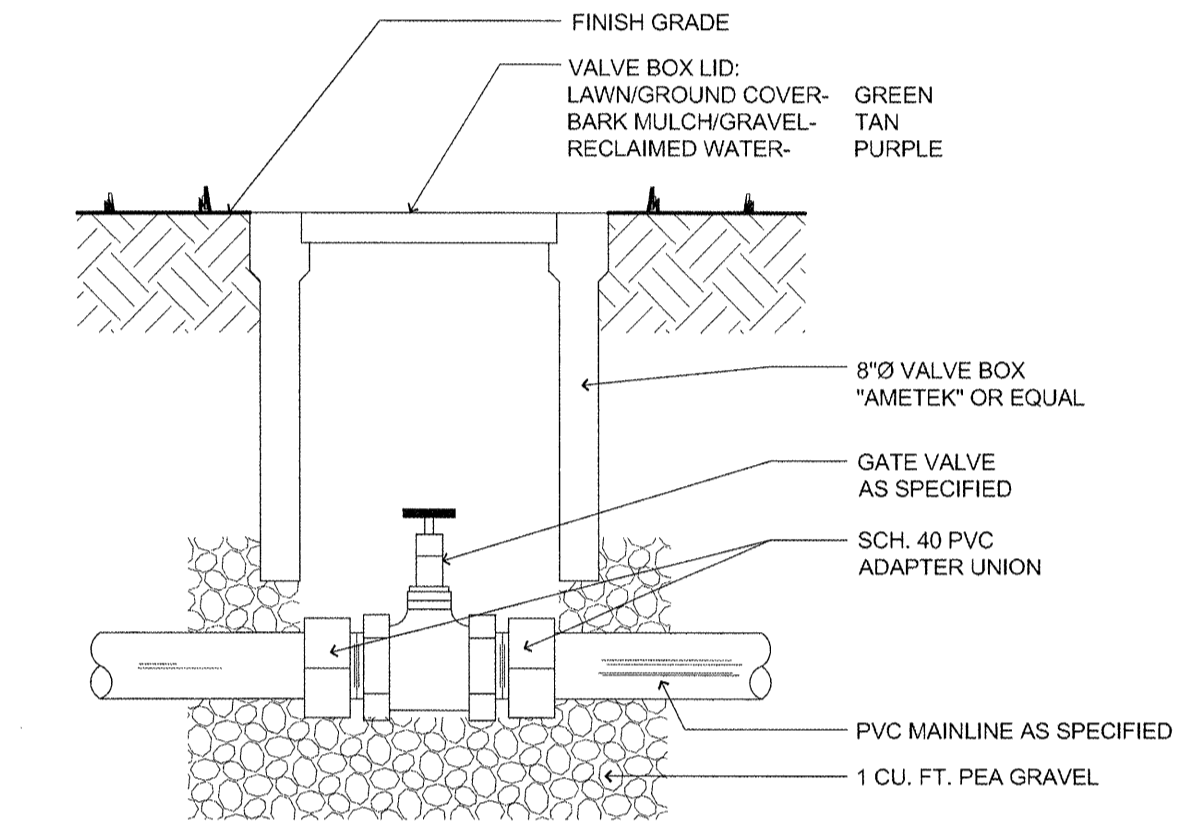
MAINLINE

GALLON PER MINUTE	PIPE SIZE & CLASS
0 - 12 GALLONS	1" SCHEDULE 40
13 - 20 GALLONS	1-1/4" SCHEDULE 40
21 - 30 GALLONS	1-1/2" SCHEDULE 40
31 - 50 GALLONS	2" SCHEDULE 40
51 - 70 GALLONS	2-1/2" CLASS 315
71 - 100 GALLONS	3" CLASS 315
101 - 180 GALLONS	4" CLASS 315

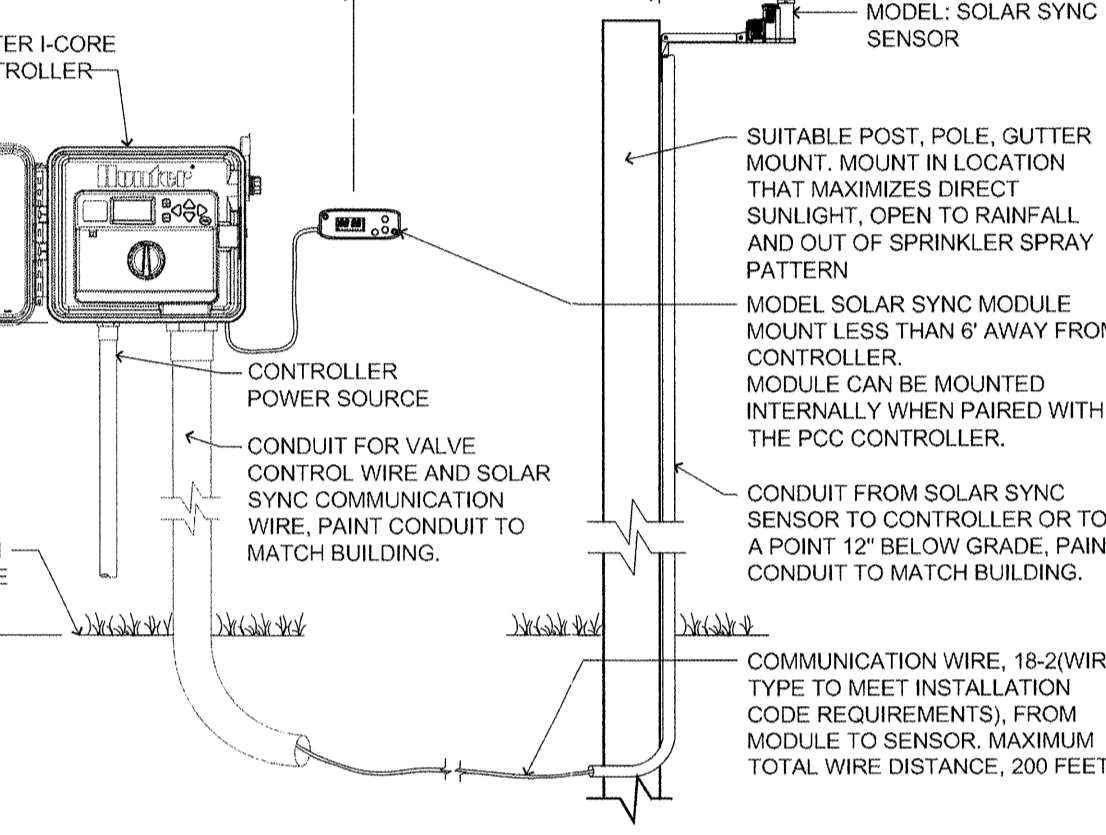
LATERAL PIPE

GALLON PER MINUTE	PIPE SIZE & CLASS
0 - 10 GALLONS	3/4" CLASS 200
11 - 20 GALLONS	1" CLASS 200
21 - 30 GALLONS	1-1/4" CLASS 200
31 - 40 GALLONS	1-1/2" CLASS 200
41 - 60 GALLONS	2" CLASS 200
61 - 80 GALLONS	2-1/2" CLASS 200
81 - 120 GALLONS	3" CLASS 200

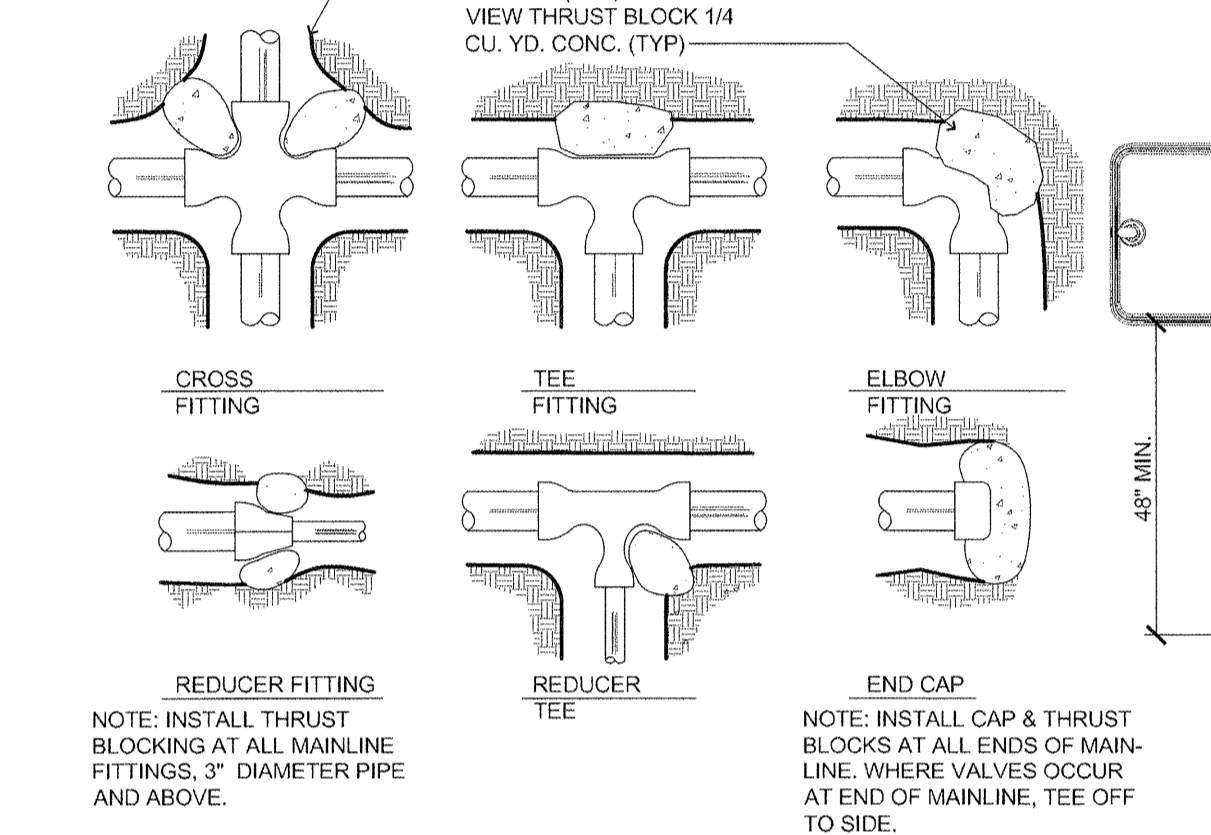
PIPE SIZE SCHEDULE (IRRIGATION DETAIL)
SCALE: NOT TO SCALE



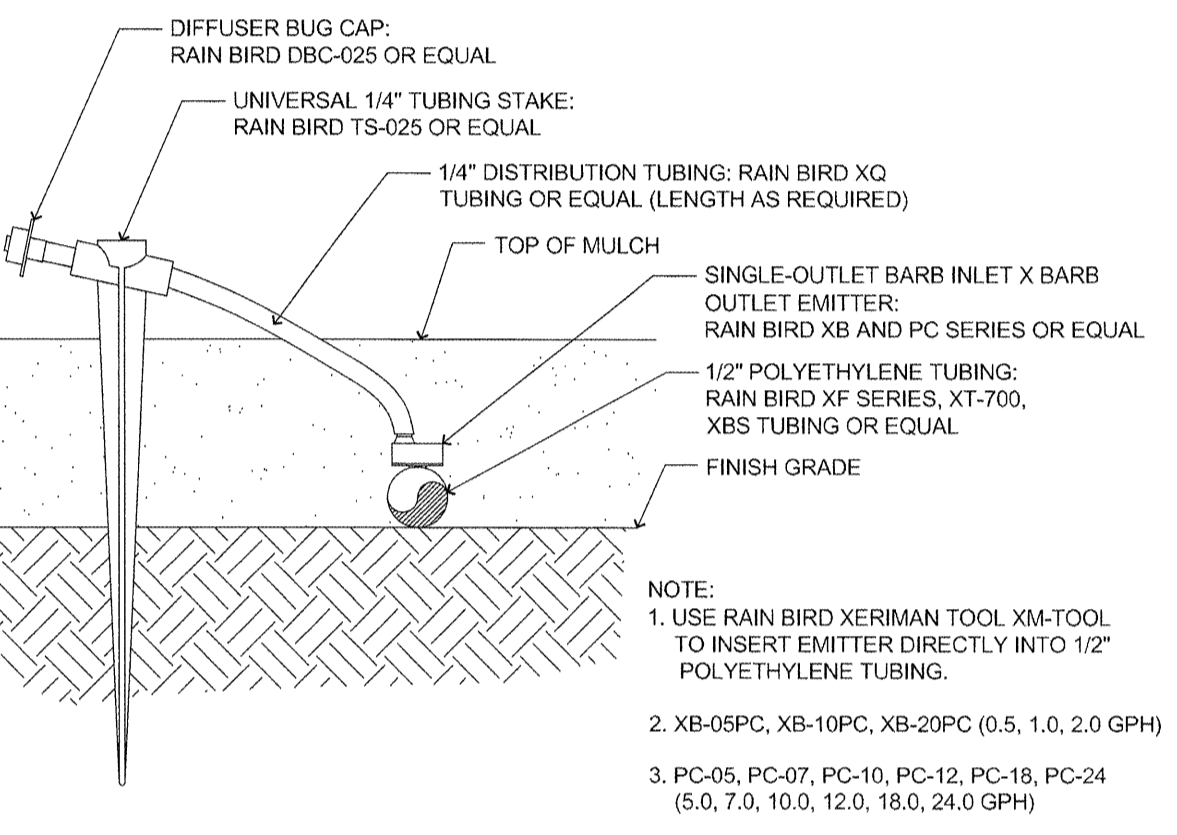
3 GATE VALVE (IRRIGATION DETAIL)
SCALE: NOT TO SCALE



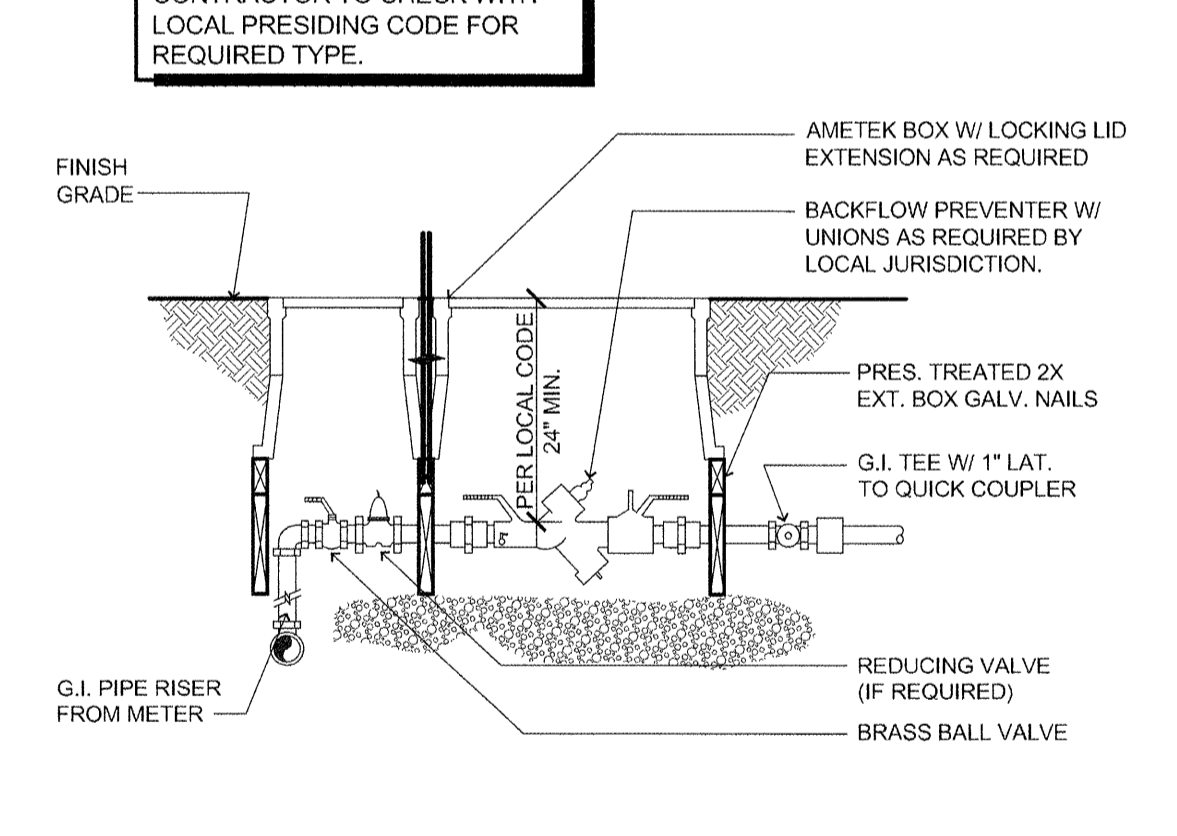
7 HUNTER I-CORE CONTROLLER (WITH SOLAR SYNC WEATHER SENSOR)
SCALE: NOT TO SCALE



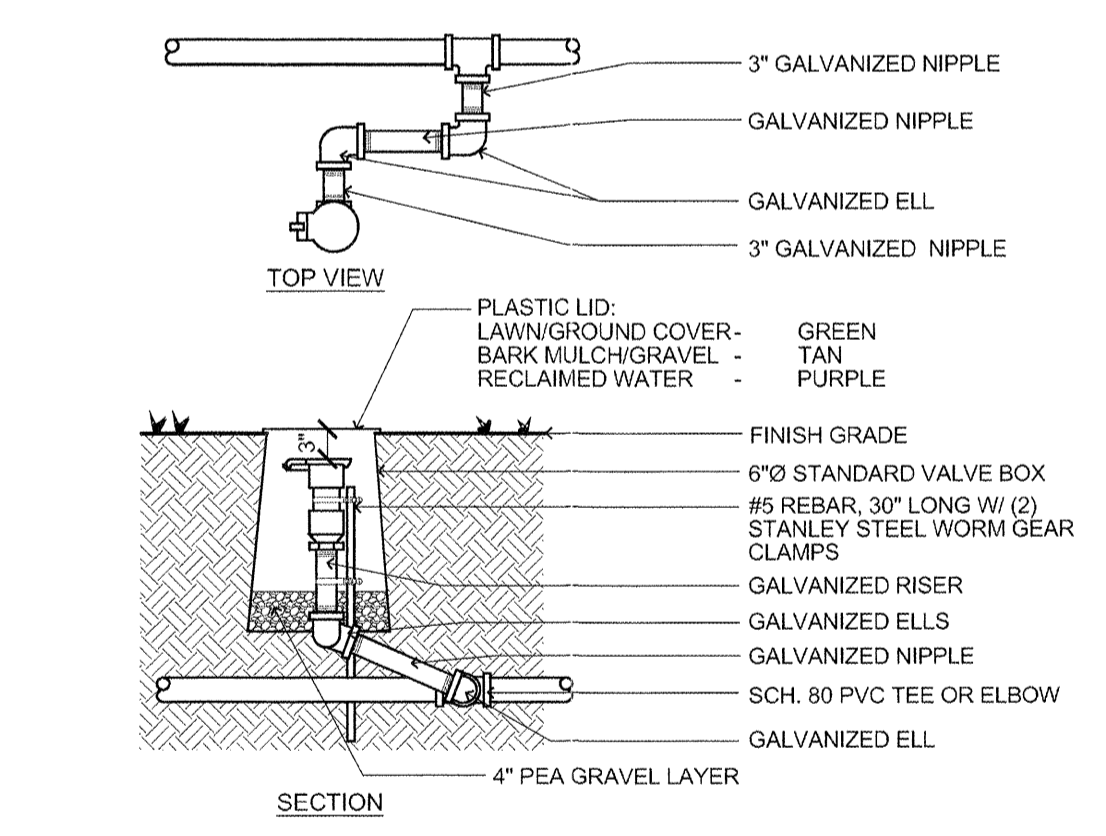
11 THRUST BLOCKING
SCALE: NOT TO SCALE



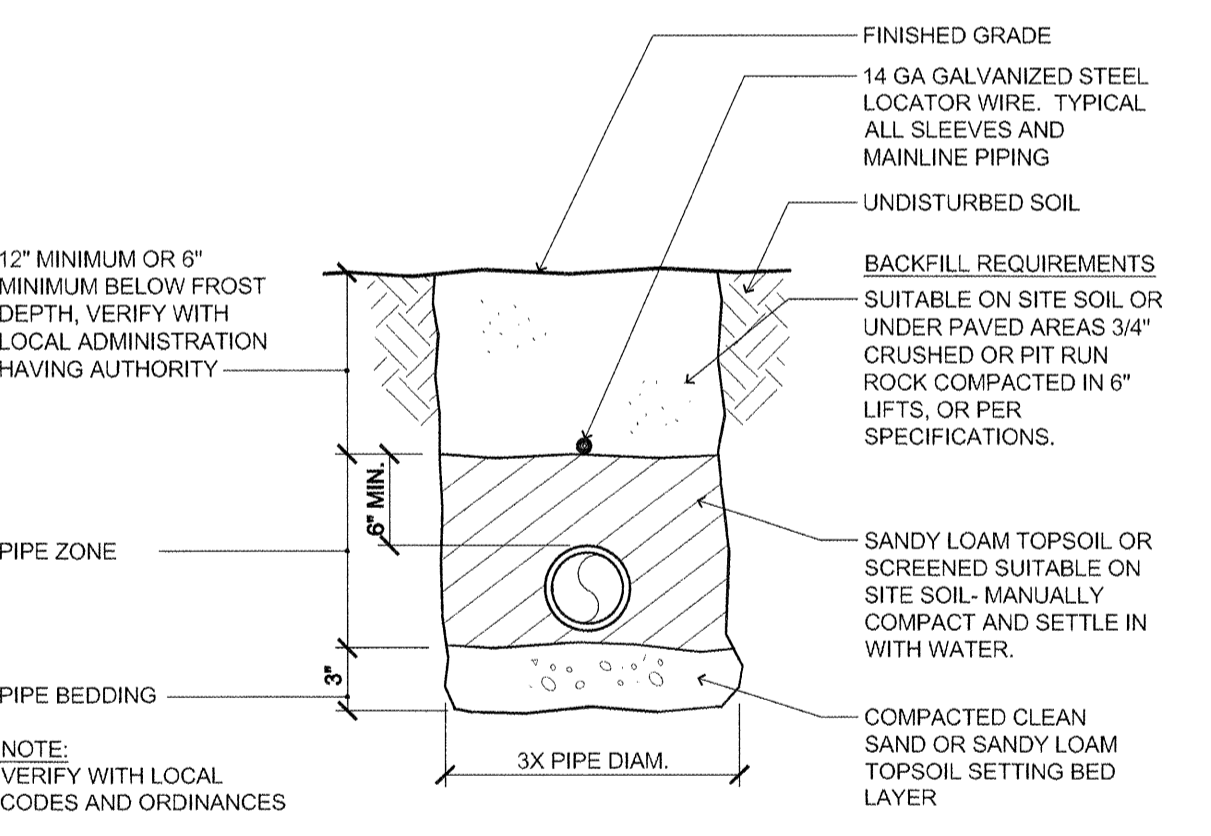
15 DRIP EMITTER INTO 1/2" TUBING WITH 1/4" TUBING, STAKE AND BUG CAP
SCALE: NOT TO SCALE



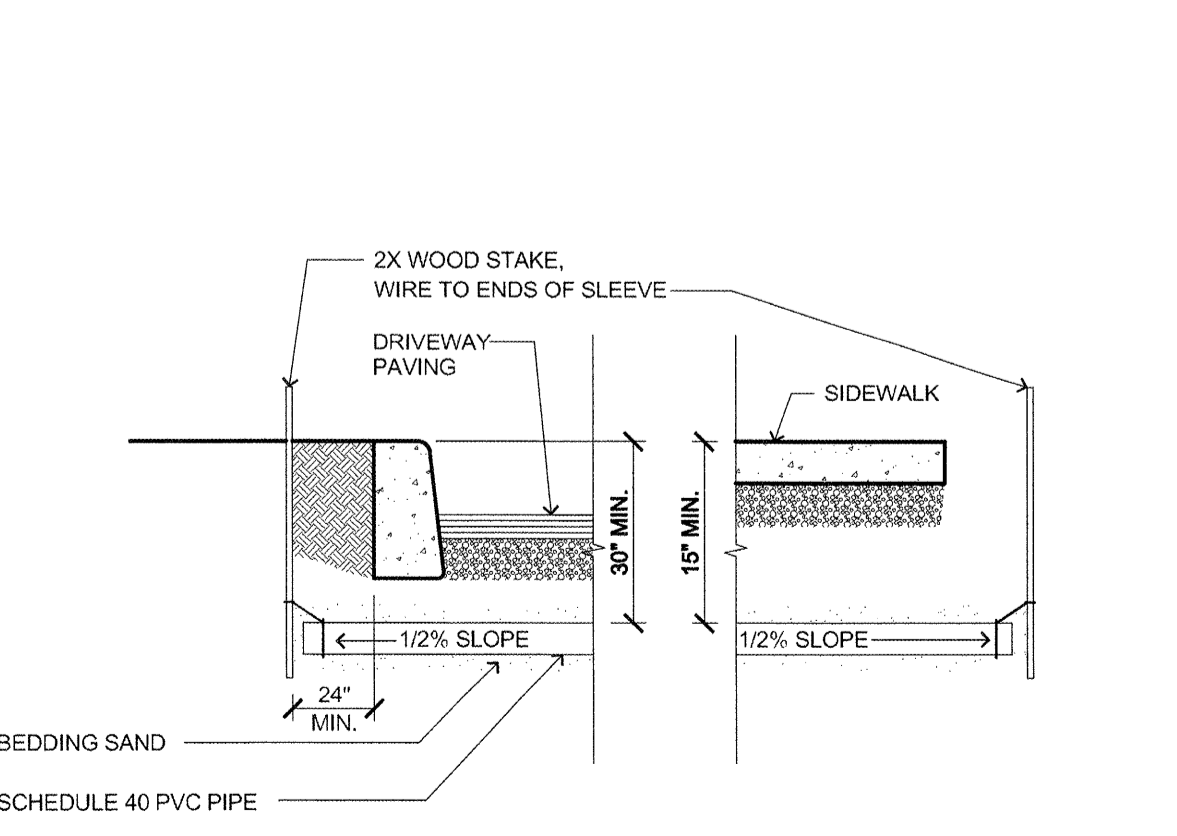
2 BACKFLOW PREVENTION DEVICE (AS REQUIRED)
SCALE: NOT TO SCALE



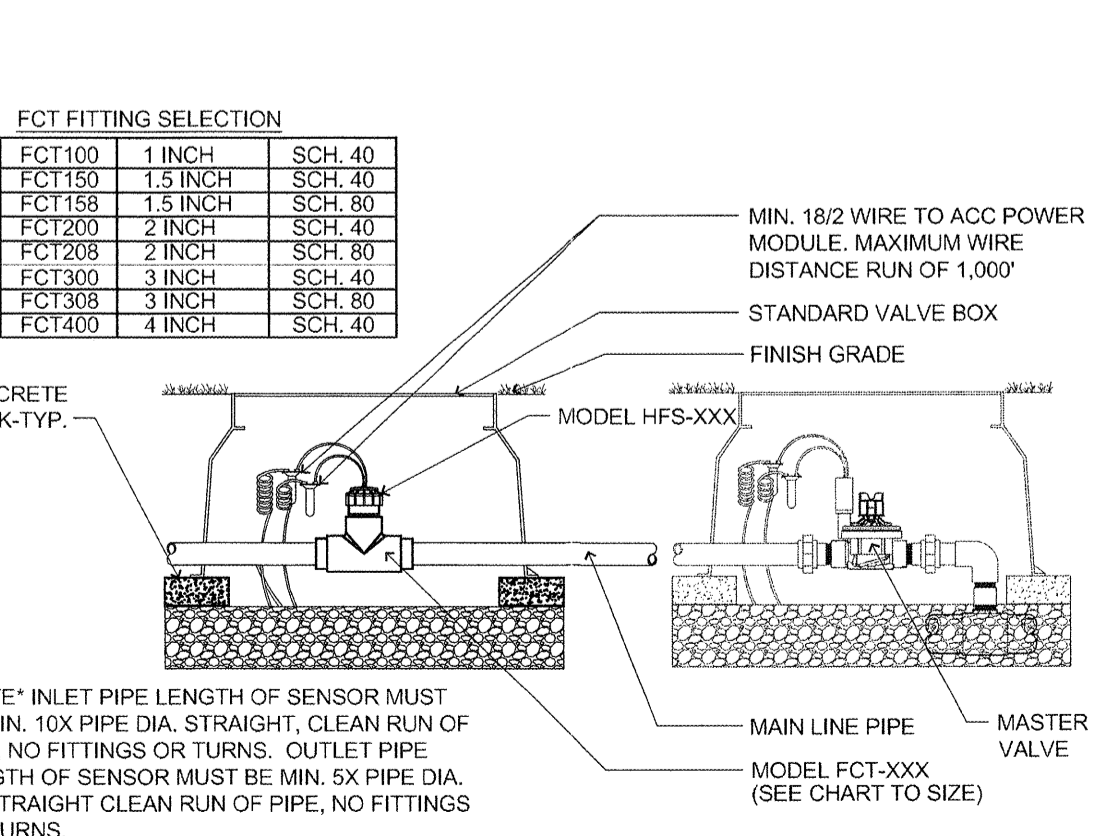
6 QUICK COUPLER
SCALE: NOT TO SCALE



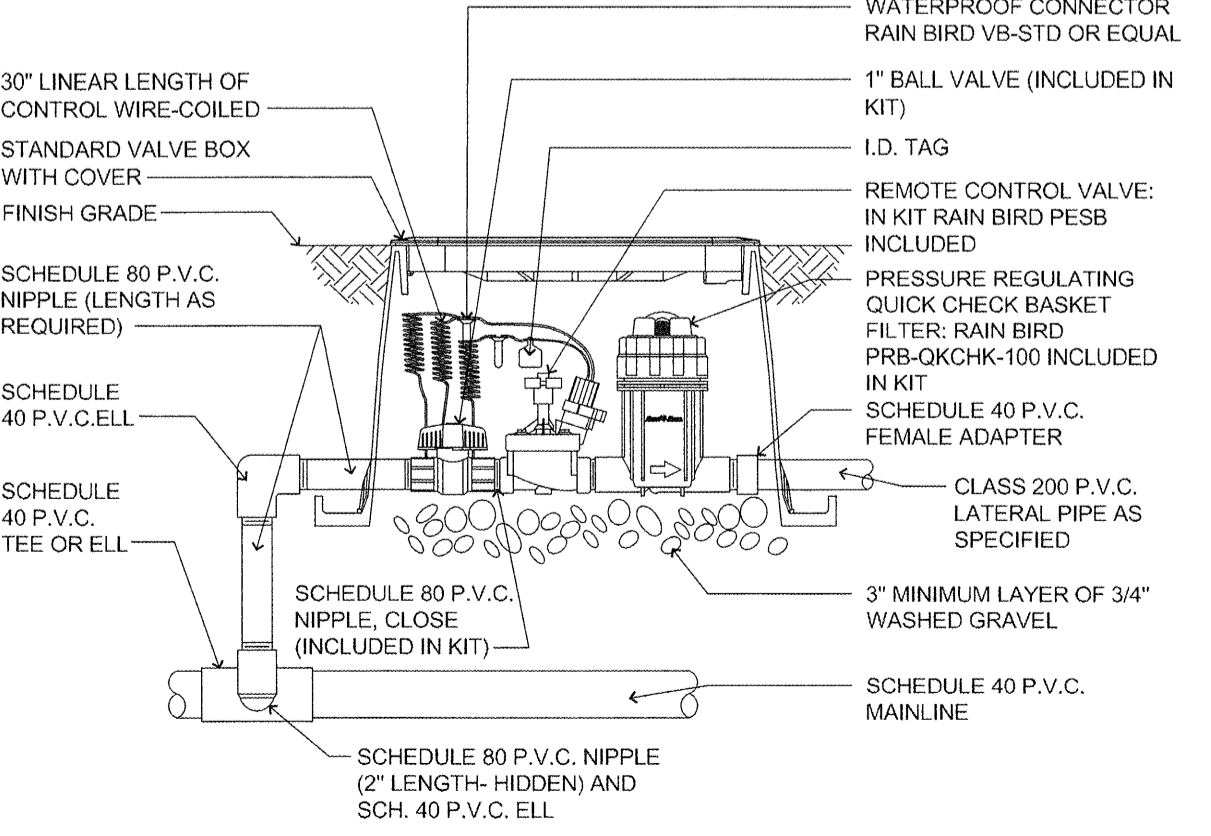
10 PIPE TRENCH INSTALLATION
SCALE: NOT TO SCALE



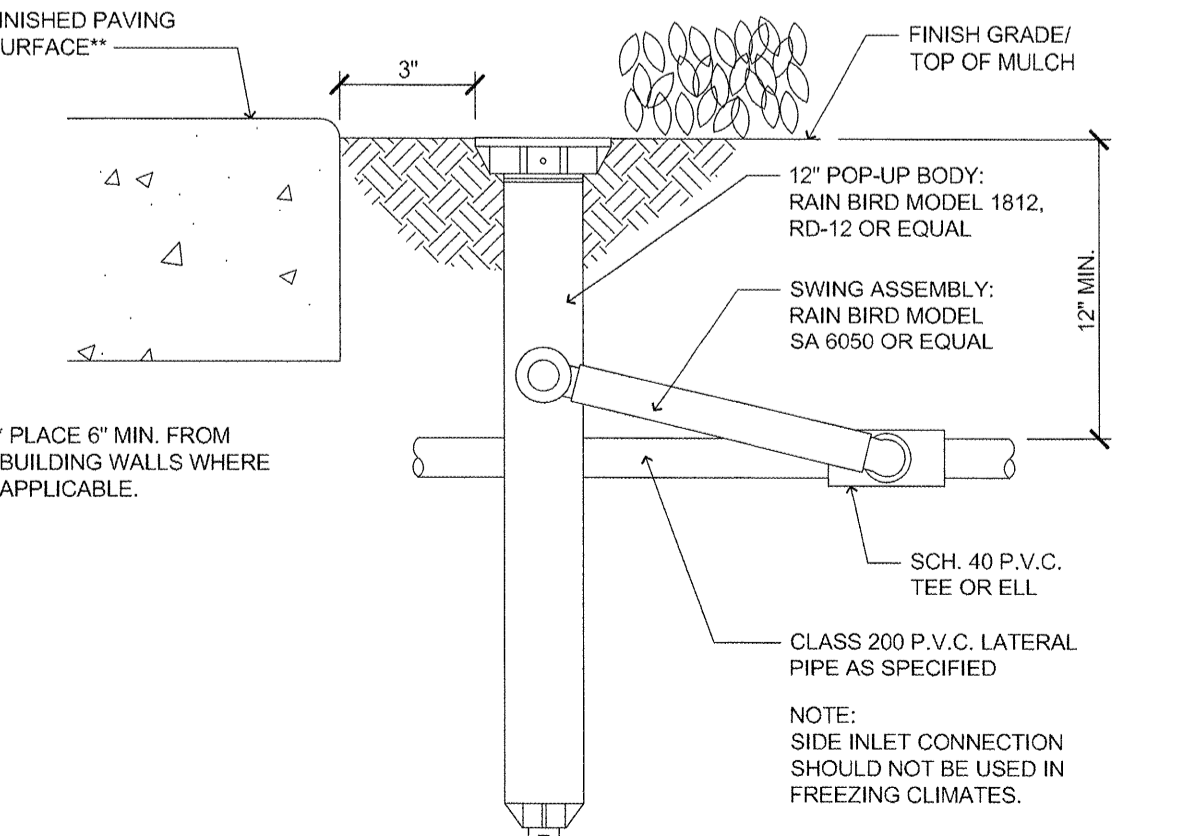
1 SLEEVE (IRRIGATION DETAIL)
SCALE: NOT TO SCALE



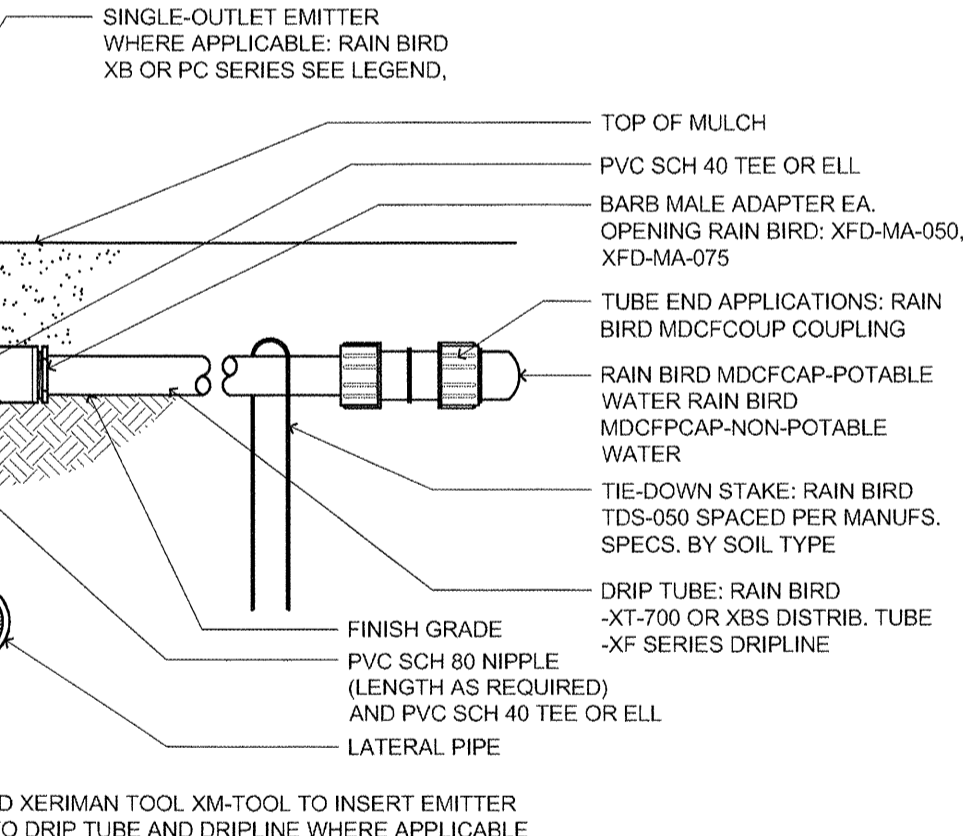
5 FLOW SENSOR (HUNTER HFS SERIES OR EQUAL)
SCALE: NOT TO SCALE



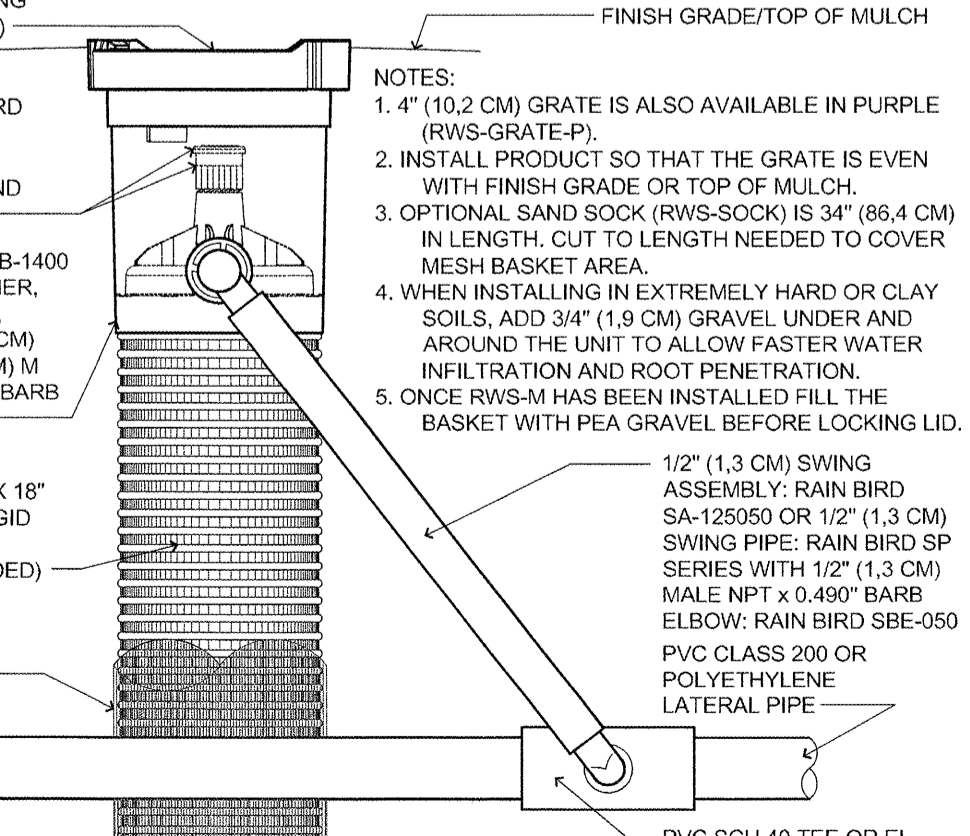
9 COMMERCIAL DRIP CONTROL ZONE KIT
SCALE: NOT TO SCALE



13 POP-UP SPRAY BODY (12" MODEL)
SCALE: NOT TO SCALE



18 PVC TO DRIP TUBE CONNECTION
SCALE: NOT TO SCALE



17 ROOT WATERING SYSTEM (18" TUBE)
SCALE: NOT TO SCALE