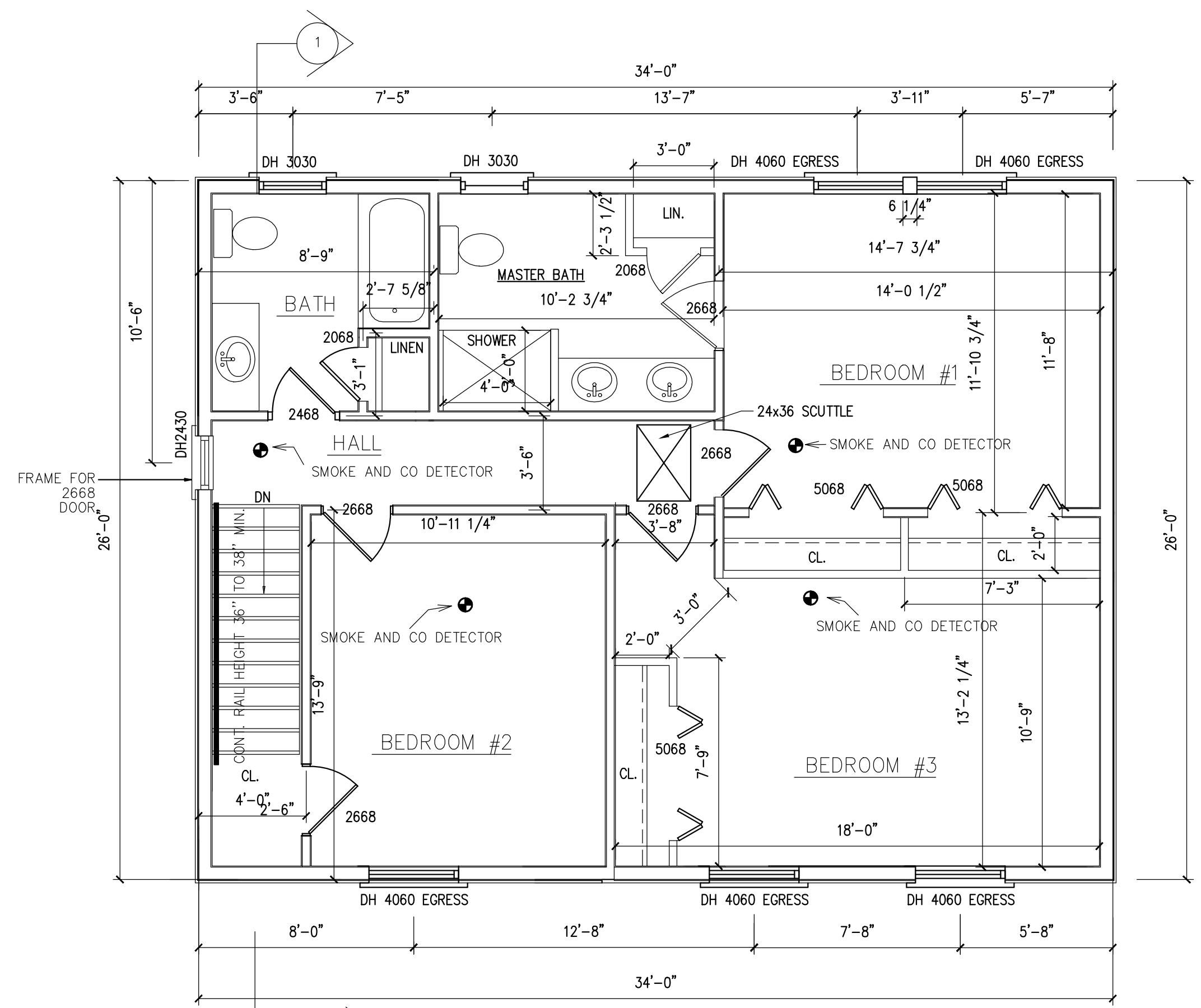
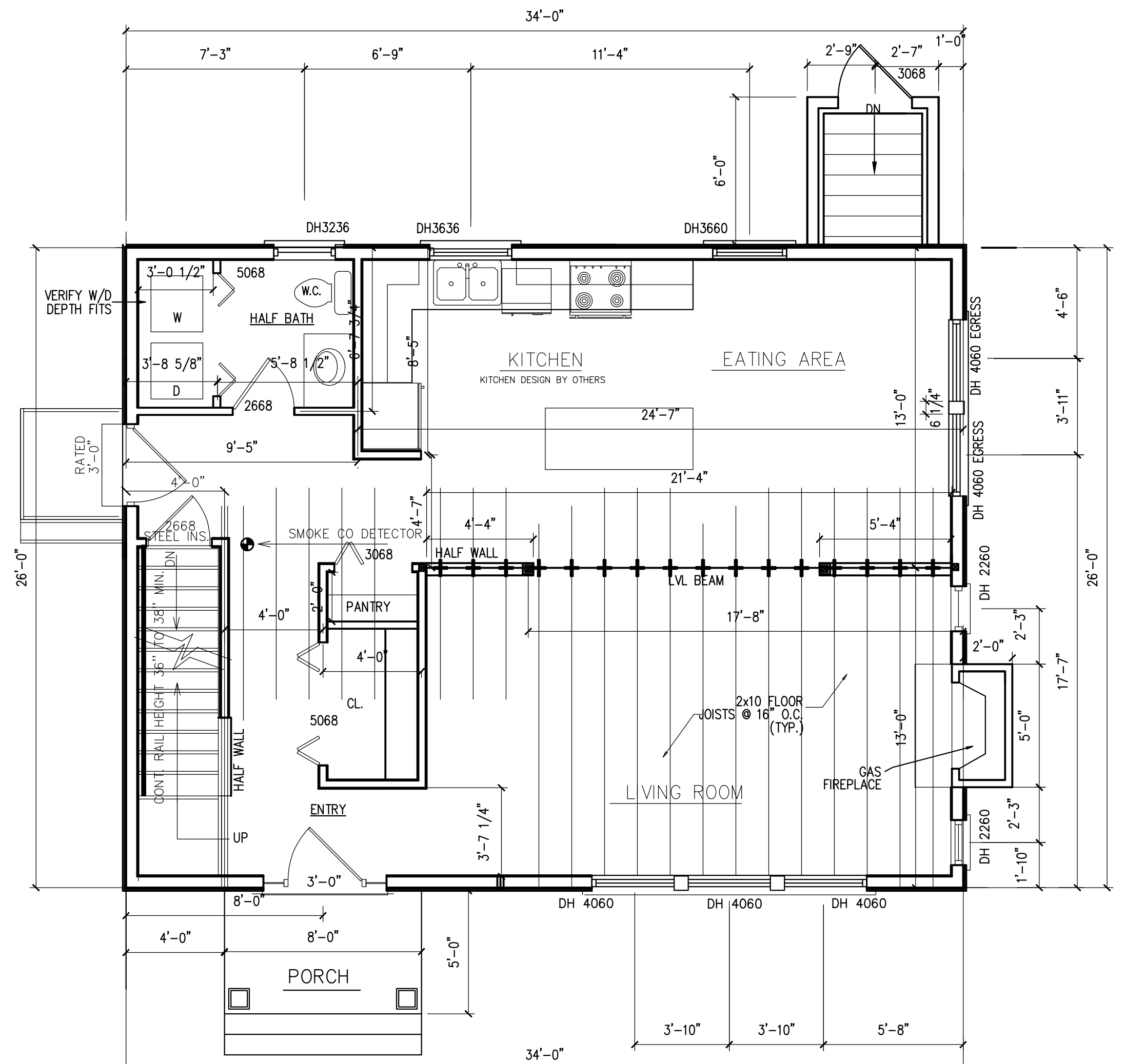
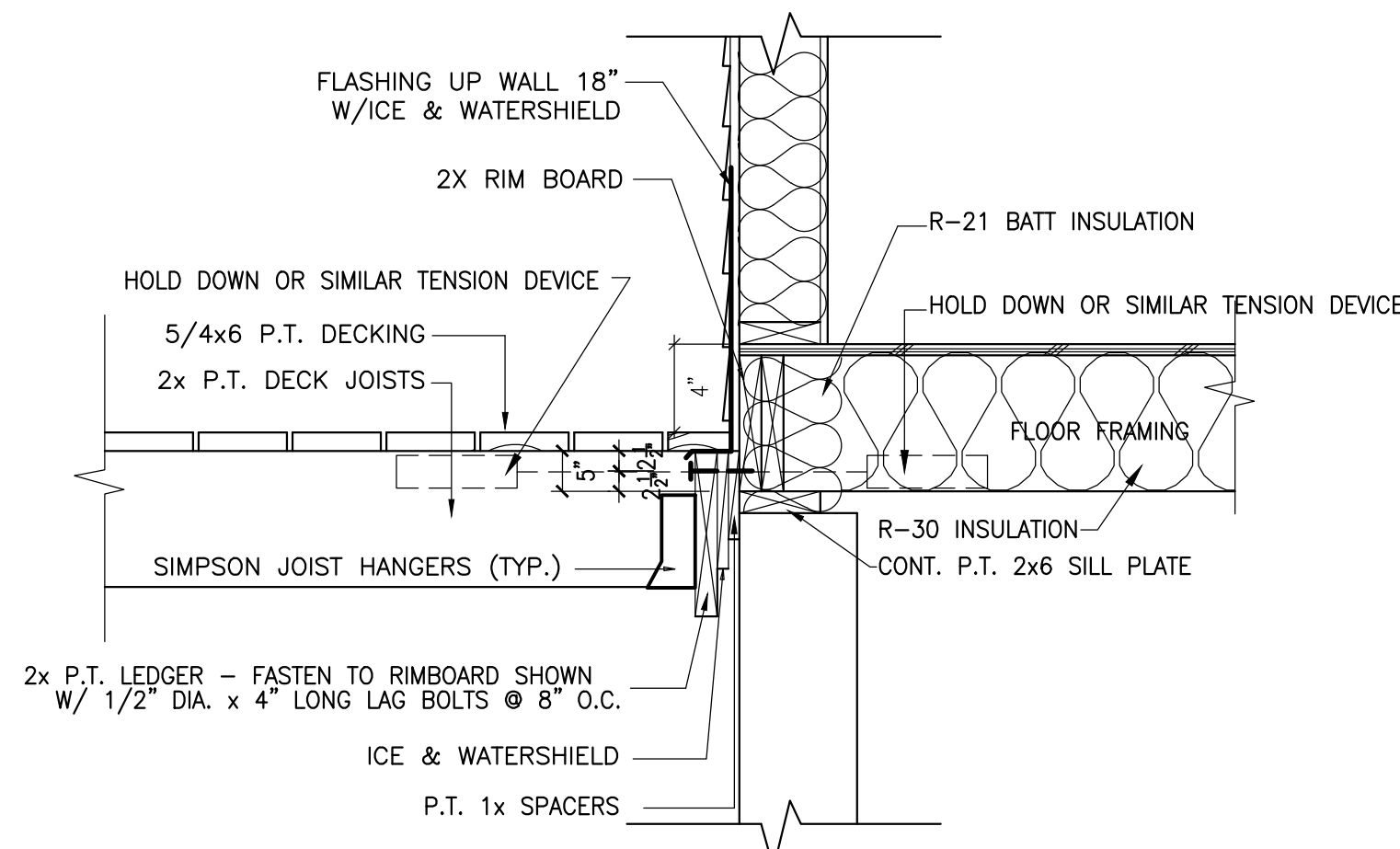
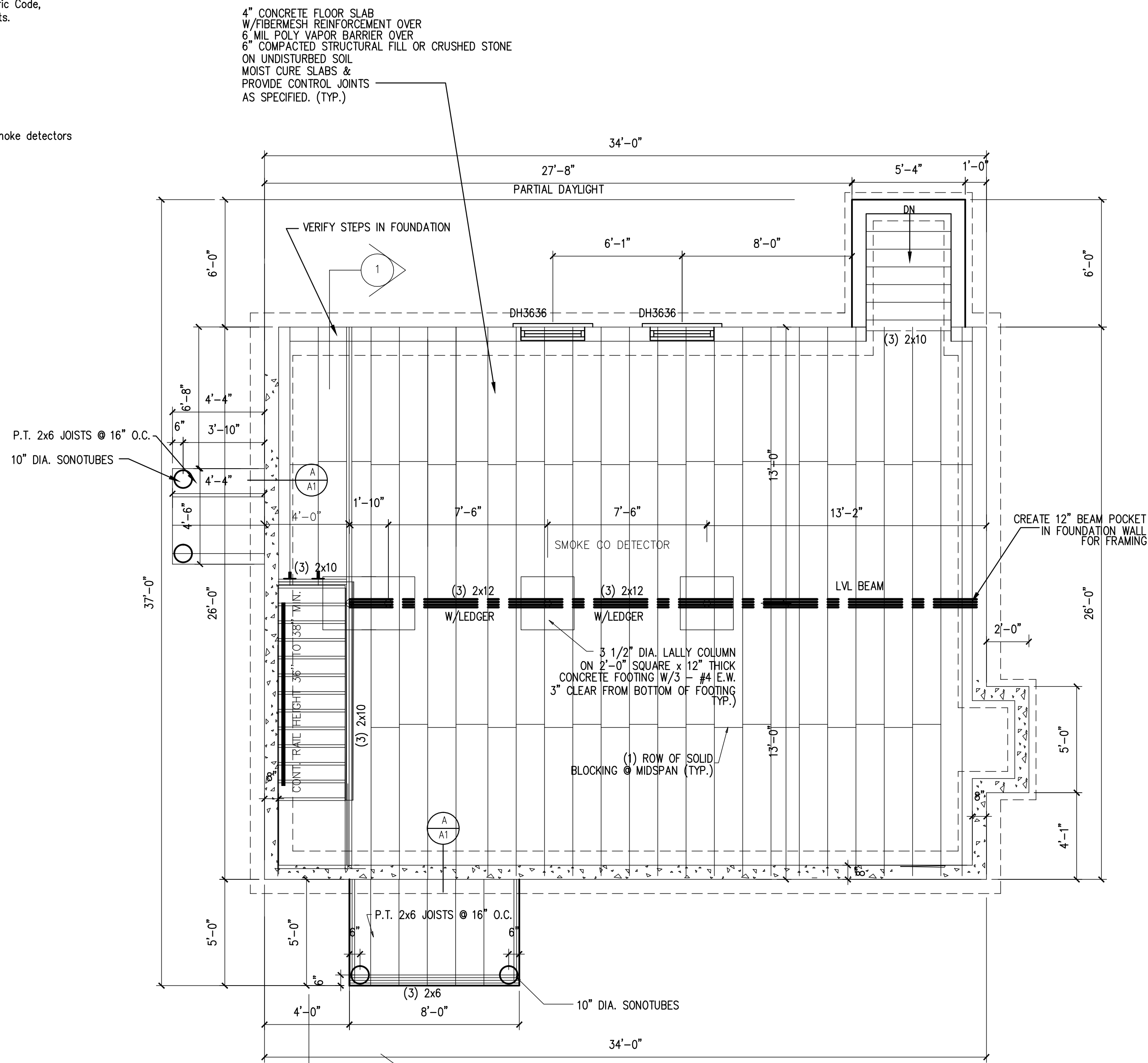
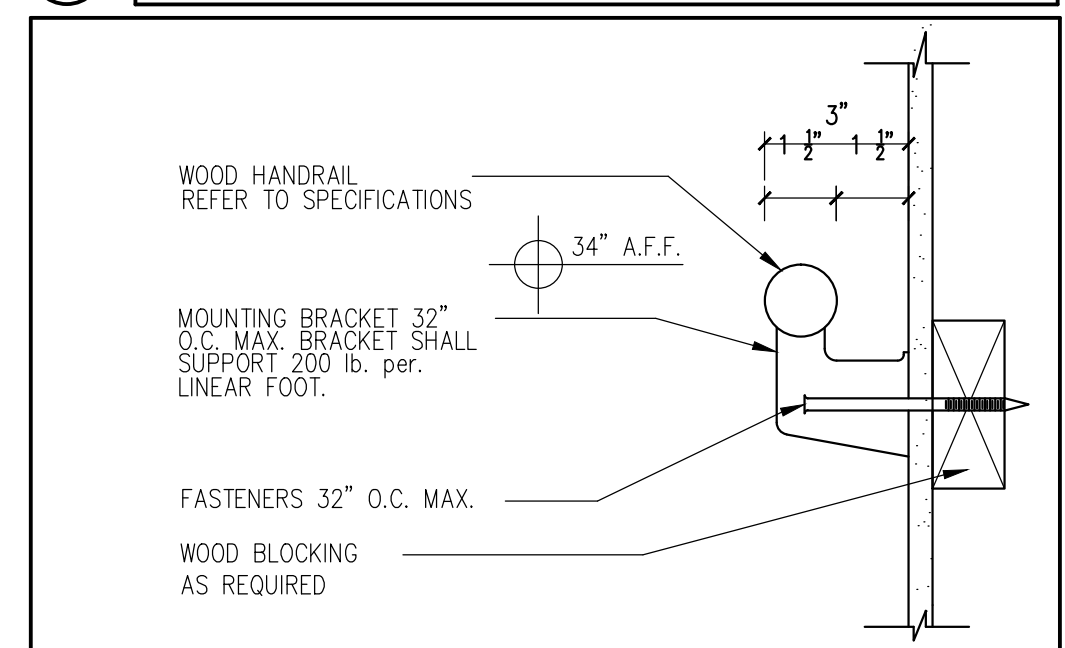
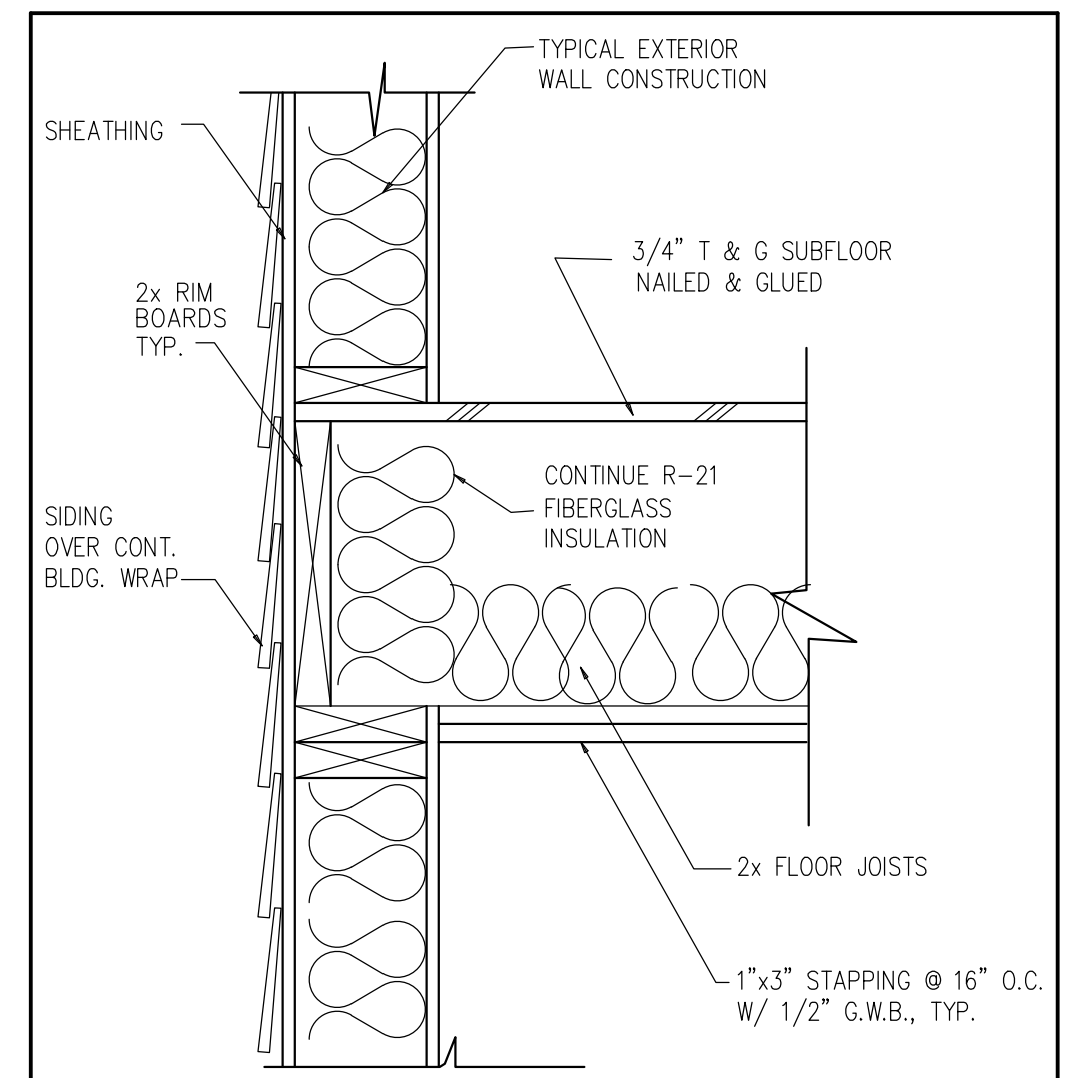
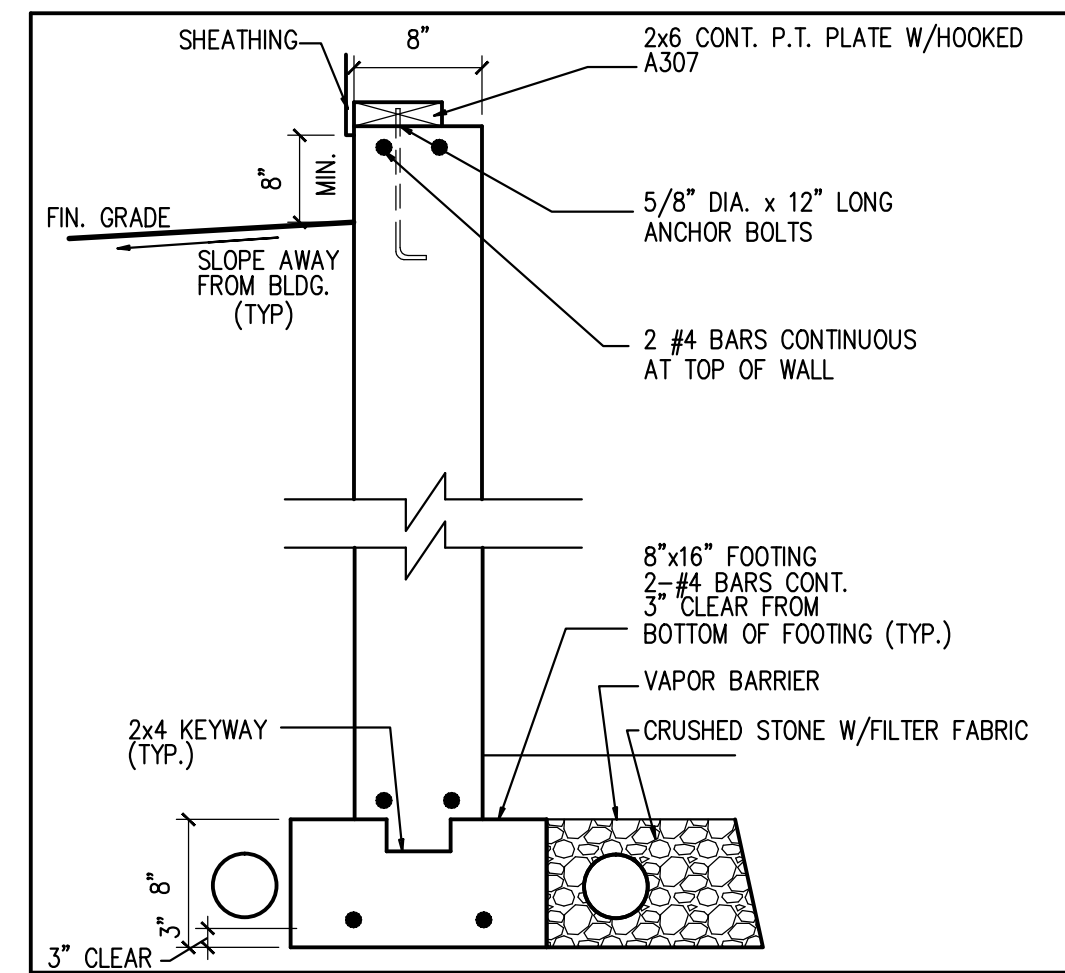


GENERAL NOTES:

- All work shall be in accordance with IRC 2009, IBC Basic Building Code, NFPA-70 National Electric Code, Maine State Plumbing Code, ASHRAE, U.L., NFPA Codes and all local, State and Federal requirements.
- All required City and State permits must be obtained before any construction begins.
- Structural, Mechanical (hvac), Electrical and Plumbing design and installation by others shall be performed in accordance with local, State and Federal standards.
- Seal all openings & mechanical penetrations with approved fire rating material.
- Building shall have approved smoke detectors in accordance with NFPA-101 Life Safety Code. Smoke detectors shall initiate alarm that is audible in the sleeping rooms of each unit.

HEADER SCHEDULE	
ROUGH OPENING	HEADER SIZE
0 - 3'-0"	(3) - 2x6
3'-1" - 4'-6"	(3) - 2x8
4'-7" - 5'-8"	(3) - 2x10
5'-9" - 7'-0"	(3) - 2x12

NOTE: PROVIDE JAMBS BOTH ENDS AS FOLLOWS:
 2x6 JACK PLUS 2x6 KING UP TO 4'-6" ROUGH OPENING
 (2) 2x6 JACKS PLUS (2) 2x6 KINGS UP TO 7'-0" ROUGH OPENING



26'x34' COLONIAL
 PORTLAND, MAINE

DRAWINGS THIS SHEET
 FOUNDATION PLAN
 FLOOR PLANS
 DETAILS

DATE
 09/16/15

A1