

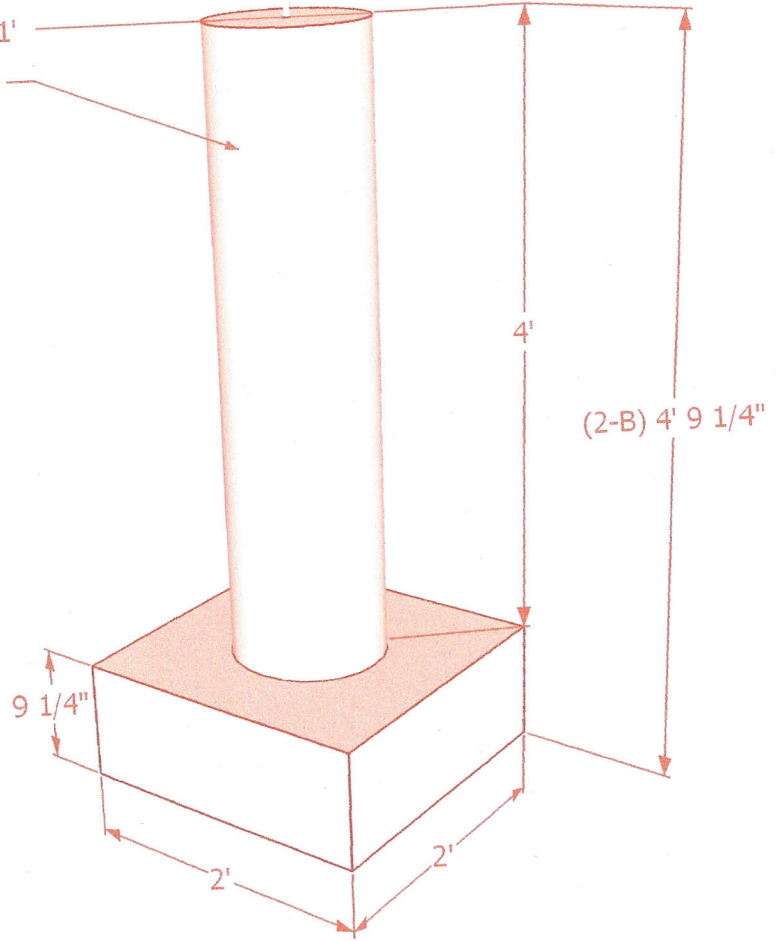
# Concrete Filled Tube

(2-C) #4 Rebar pin to hold post to pier

(2-D) QTY. 5 TUBES SPACED 10' APART

(2-A) DIA 1'

3 PCS. #4 Rebar in concrete



4'

(2-B) 4' 9 1/4"

9 1/4"

2'

2'