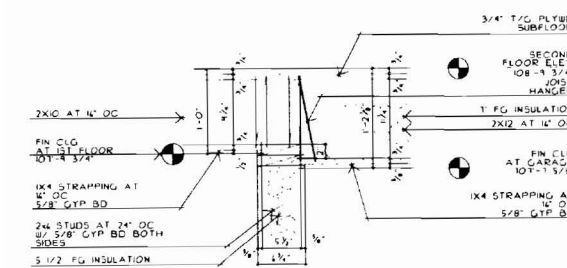
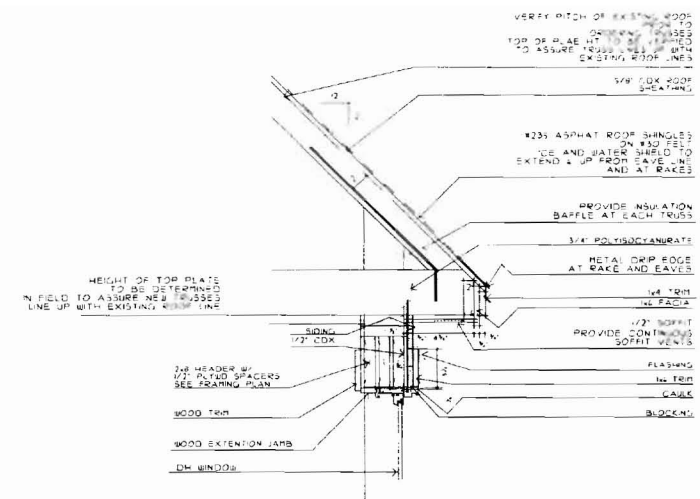


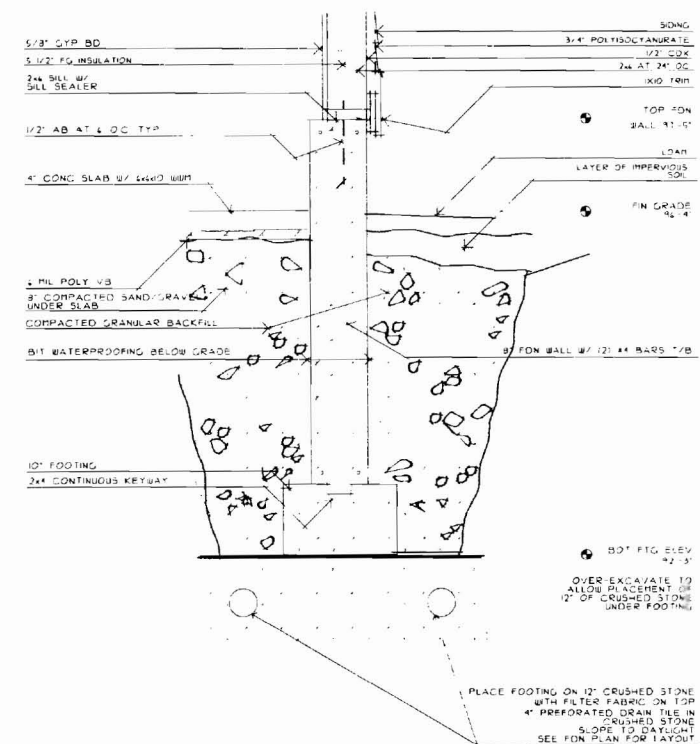
24 FRAMING DETAIL
 SCALE 1/4"=1'-0"



25 FRAMING DETAIL
 SCALE 1/4"=1'-0"



23 EAVE DETAIL
 SCALE 1/4"=1'-0"



26 SILL DETAIL
 SCALE 1/4"=1'-0"

GTA 2 architects
 44 oak street
 portland, maine 04101
 207-771-5461 fax 774-0846

revisions
 date
 SEPTEMBER, 2006
 sheet title
WALL SECTIONS

scale
 AS NOTED
 drawn by
 SMT
 project number
 1206

sheet number
A 4