

DISPLAY THIS CARD ON PRINCIPAL FRONTAGE OF WORK
CITY OF PORTLAND

Please Read
Application And
Notes, If Any,
Attached

BUILDING INSPECTION

PERMIT

Permit Number: 101509

PERMIT ISSUED

This is to certify that Van Reo Inc /Pioneer Kitchen

has permission to Install kitchen exhaust system.

AT 1223 Washington Ave

CBL 408 B023001

DEC 28 2010

provided that the person or persons, firm or corporation accepting this permit shall comply with all of the provisions of the Statutes of Maine and of the Ordinances of the City of Portland regulating the construction, maintenance and use of buildings and structures, and of the application on file in this department.

Apply to Public Works for street line and grade if nature of work requires such information.

Notification of inspection must be given and written permission procured before this building or part thereof is lathed or otherwise closed-in. 24 HOUR NOTICE IS REQUIRED.

A certificate of occupancy must be procured by owner before this building or part thereof is occupied.

OTHER REQUIRED APPROVALS

Fire Dept. CAPT. R. [Signature]

Health Dept. _____

Appeal Board _____

Other _____

Department Name

Director - Building & Inspection Services

PENALTY FOR REMOVING THIS CARD

City of Portland, Maine - Building or Use Permit Application

389 Congress Street, 04101 Tel: (207) 874-8703, Fax: (207) 874-8716

Permit No: 10-1509	Issue Date:	CBL: 408 B023001
-----------------------	-------------	---------------------

Location of Construction: 1223 Washington Ave	Owner Name: Van Reeo Inc	Owner Address: 189 Us Route One	Phone:
Business Name: Donatellie's Variety	Contractor Name: Pioneer Kitchen	Contractor Address: 351 Broome St. New York	Phone: 6462451532
Lessee/Buyer's Name	Phone:	Permit Type: Hood Systems, Commerical	Zone: R-3

Past Use: Commercial	Proposed Use: Commercial / Install kitchen exhaust system.	Permit Fee:	Cost of Work: \$5,000.00	CEO District: 4
Proposed Project Description: Install kitchen exhaust system.		FIRE DEPT: <input checked="" type="checkbox"/> Approved <input type="checkbox"/> Denied	INSPECTION: Use Group: B Type: Type 1 hoods (2)	
		Signature: <i>(Signature)</i>	Signature: <i>JMB 12/23/10</i>	
PEDESTRIAN ACTIVITIES DISTRICT (P.A.D.) Action <input type="checkbox"/> Approved <input type="checkbox"/> Approved w/Conditions <input type="checkbox"/> Denied Signature: _____ Date: _____				

Permit Taken By: gg	Date Applied For: 12/10/2010	Zoning Approval		
------------------------	---------------------------------	------------------------	--	--

1. This permit application does not preclude the Applicant(s) from meeting applicable State and Federal Rules. 2. Building permits do not include plumbing, septic or electrical work. 3. Building permits are void if work is not started within six (6) months of the date of issuance. False information may invalidate a building permit and stop all work..	Special Zone or Reviews <input type="checkbox"/> Shoreland <input type="checkbox"/> Wetland <input type="checkbox"/> Flood Zone <input type="checkbox"/> Subdivision <input type="checkbox"/> Site Plan Maj <input type="checkbox"/> Minor <input type="checkbox"/> MM <input type="checkbox"/> Denied	Zoning Appcal <input type="checkbox"/> Variance <input type="checkbox"/> Miscellaneous <input type="checkbox"/> Conditional Use <input type="checkbox"/> Interpretation <input type="checkbox"/> Approved <input type="checkbox"/> Denied	Historic Preservation <input checked="" type="checkbox"/> Not in District or Landmark <input type="checkbox"/> Does Not Require Review <input type="checkbox"/> Requires Review <input type="checkbox"/> Approved <input type="checkbox"/> Approved w/Conditions <input type="checkbox"/> Denied
	Date: <i>12/10/10</i>	Date: <i>12/10/10</i>	Date: <i>(Signature)</i>

PERMIT ISSUED

DEC 28 2010

City of Portland

CERTIFICATION

I hereby certify that I am the owner of record of the named property, or that the proposed work is authorized by the owner of record and that I have been authorized by the owner to make this application as his authorized agent and I agree to conform to all applicable laws of this jurisdiction. In addition, if a permit for work described in the application is issued, I certify that the code official's authorized representative shall have the authority to enter all areas covered by such permit at any reasonable hour to enforce the provision of the code(s) applicable to such permit.

SIGNATURE OF APPLICANT _____ ADDRESS _____ DATE _____ PHONE _____

RESPONSIBLE PERSON IN CHARGE OF WORK, TITLE _____ DATE _____ PHONE _____



CITY OF PORTLAND, MAINE

Department of Building Inspections

Original Receipt

101509

Dec. 10 2010

Received from Muon Sam Shi

Location of Work 1903 Washington

Cost of Construction \$ _____ Building Fee: _____

Permit Fee \$ _____ Site Fee: _____

Certificate of Occupancy Fee: _____

Total: 70.00

Building (IL) Plumbing (IS) _____ Electrical (I2) _____ Site Plan (U2) _____

Other _____

CBL: 408 B 023

Check #: Cash Total Collected \$ 70.00

**No work is to be started until permit issued.
Please keep original receipt for your records.**

Taken by: Haylo

WHITE - Applicant's Copy
YELLOW - Office Copy
PINK - Permit Copy

City of Portland, Maine - Building or Use Permit

389 Congress Street, 04101 Tel: (207) 874-8703, Fax: (207) 874-8716

Permit No: 10-1509	Date Applied For: 12/10/2010	CBL: 408 B023001
-----------------------	---------------------------------	---------------------

Location of Construction: 1223 Washington Ave	Owner Name: Van Reeo Inc	Owner Address: 189 Us Route One	Phone:
Business Name: Donatellie's Variety	Contractor Name: Pioneer Kitchen	Contractor Address: 351 Broome St. New York	Phone (646) 245-1532
Lessee/Buyer's Name	Phone:	Permit Type: Hood Systems, Commerical	

Proposed Use: Commercial / Install kitchen exhaust system.	Proposed Project Description: Install kitchen exhaust system.
---	--

Dept: Zoning **Status:** Approved with Conditions **Reviewer:** Marge Schmuckal **Approval Date:** 12/10/2010
Note: **Ok to Issue:**

- 1) This property shall remain a retail/take out establishment with no more than 9 seats. Any change of use shall require a separate permit application for review and approval.
- 2) This permit is being approved on the basis of plans submitted. Any deviations shall require a separate approval before starting that work.

Dept: Building **Status:** Approved with Conditions **Reviewer:** Jeanine Bourke **Approval Date:** 12/23/2010
Note: **Ok to Issue:**

- 1) Separate permit for electrical work
- 2) Application approval based upon information provided by applicant. Any deviation from approved plans requires separate review and approval prior to work.

Dept: Fire **Status:** Approved with Conditions **Reviewer:** Capt Keith Gautreau **Approval Date:** 12/15/2010
Note: **Ok to Issue:**

- 1) Install shall comply with all manufacture's specifications.
- 2) Install shall comply with NFPA 96.
A compliance letter is required
- 3) This permit is being approved on the basis of the plans submitted. Any deviation from the plans would require ammendments and approval.

PERMIT ISSUED

BUILDING PERMIT INSPECTION PROCEDURES

**Please call 874-8703 or 874-8693 (ONLY)
or email: buildinginspections@portlandmaine.gov**

With the issuance of this permit, the owner, builder or their designee is required to provide adequate notice to the City of Portland Inspection Services for the following inspections. Appointments must be requested 48 to 72 hours in advance of the required inspection. The inspection date will need to be confirmed by this office.

- **Please read the conditions of approval that is attached to this permit!! Contact this office if you have any questions.**
- **Permits expire in 6 months, if the project is not started or ceases for 6 months.**
- **If the inspection requirements are not followed as stated below additional fees may be incurred due to the issuance of a “Stop Work Order” and subsequent release to continue with construction.**

 X **Final inspection required at completion of work.**

The project cannot move to the next phase prior to the required inspection and approval to continue, REGARDLESS OF THE NOTICE OR CIRCUMSTANCES.

IF THE PERMIT REQUIRES A CERTIFICATE OF OCCUPANCY, IT MUST BE PAID FOR AND ISSUED TO THE OWNER OR DESIGNEE BEFORE THE SPACE MAY BE OCCUPIED.



General Building Permit Application

#10 1509

If you or the property owner owes real estate or personal property taxes or user charges on any property within the City, payment arrangements must be made before permits of any kind are accepted.

Location/Address of Construction: <u>1223 Washington Ave.</u>		
Total Square Footage of Proposed Structure/Area	Square Footage of Lot	Number of Stories
Tax Assessor's Chart, Block & Lot Chart# Block# Lot#	Applicant *must be owner, Lessee or Buyer* Name <u>GUO SEN SHI</u> Address <u>80 YANKEE DR.</u> City, State & Zip <u>YARMOUTH, ME 04096</u>	Telephone: <u>603-583-4130</u>
408 B 023		
Lessee/DBA (If Applicable)	Owner (if different from Applicant) Name Address City, State & Zip	Cost Of Work: \$ <u>5000.00</u> C of O Fee: \$ _____ Total Fee: \$ <u>70.00</u>
Current legal use (i.e. single family) <u>commercial</u>	Number of Residential Units _____	
If vacant, what was the previous use?		
Proposed Specific use: <u>two exhaust hoods for a take-out restaurant</u>		<u>Ching Taste</u>
Is property part of a subdivision? <u>no</u>	If yes, please name _____	
Project description: <u>adding two exhaust hoods to the kitchen. One is 14' long with a 2HP exhaust fan. The other one is 11' long with a 2HP exhaust fan. unit units uses its its own 0.5HP return air supply fan. Both are made in stainless steel. The hoods are ^{made with} 18 gage steel, the ducts are made with 16 gage steel.</u>		
Contractor's name: <u>PIONEER KITCHEN</u>		
Address: <u>351 BROOME ST.</u>		
City, State & Zip <u>NEW YORK, NY 10013</u>		Telephone: <u>646-245-1532</u>
Who should we contact when the permit is ready: <u>CAI ZHANG</u>		Telephone: <u>917-650-4254</u>
Mailing address: <u>80 YANKEE DR. YARMOUTH, ME 04096</u>		

AX Please call

Please submit all of the information outlined on the applicable Checklist. Failure to do so will result in the automatic denial of your permit.

In order to be sure the City fully understands the full scope of the project, the Planning and Development Department may request additional information prior to the issuance of a permit. For further information or to download copies of this form and other applications visit the Inspections Division on-line at www.portlandmaine.gov, or stop by the Inspections Division office, room 315 City Hall or call 874-8703.

I hereby certify that I am the Owner of record of the named property, or that the owner of record authorizes the proposed work and that I have been authorized by the owner to make this application as his/her authorized agent. I agree to conform to all applicable laws of this jurisdiction. In addition, if a permit for work described in this application is issued, I certify that the Code Official's authorized representative shall have the authority to enter all areas covered by this permit at any reasonable hour to enforce the provisions of the codes applicable to this permit.

Signature:	Date: <u>12/10/2010</u>
------------	-------------------------

This is not a permit; you may not commence ANY work until the permit is issued



Strengthening a Remarkable City, Building a Community for Life - www.portlandmaine.gov

Lee Urban - Director of Planning and Development
Jeanie Bourke - Inspection Division Services Director

Kitchen Exhaust System Checklist and code Provisions

Dear Applicant,

The following is a checklist to assist you in filing for a permit for a Kitchen Exhaust system. The applicable Mechanical Code provisions have also been attached. Please complete this and submit job specific construction documents that demonstrate compliance with the attached information.

1223 Washington Ave.
408 B 023

Type of System:

Type I ★ (2) Type II _____

Type I systems are systems that vent fryers, grills, broilers, ovens or woks.
Type II systems are systems that vent steamers and other non grease producing appliances.

Type of Materials:

Is the hood Stainless steel or other type of steel? stainless steel If Other, what Type? _____

Is the duct work Stainless steel or other type of steel? other If Other, what type? gauge steel

Thickness of the steel for the hood 0.048" 18 GAGE

Thickness of the duct for the hood ~~0.048"~~ 0.060" 16 GAGE

Type of Hood and Duct Supports

Wall type hood with make-up air ^{to be} installed on a new metal stud and gypsum partition. The hood hangs on the ceiling as well.

Type of seams and Joints all external seams are continuously welded and ground smooth.

Grease Gutters provided? yes

Hood Clearance reduction to Combustibles design /specs:

can be right against the wall as the partition is constructed with metal studs and fire grade gypsum boards.

Duct Clearance reduction to Combustibles design /specs:

metal wrapping on the duct from the ceiling to the roof, 1'-8" in length as the roof pitches.

Vibration Isolation System:

passive

Air Velocity within the duct system 8.0 m/s

Grease accumulation prevention system:

2% sloped removable grease gutter with a removable grease cup underneath.

Cleanouts no grease can be stuck inside the hood.

Grease Duct enclosure yes, penetrates the ceiling.

Exhaust Termination Roof Wall

Fire Suppression System sprinklers, fire extinguisher

Exhaust fan mounting and clearance from the roof / wall or Combustibles:

around 1'-6"

Exhaust fan distance from property lines >20'

Exhaust fan distance from other vents or openings ~~10'~~ 10' min.

Exhaust fan distance from adjacent buildings >50'

Exhaust fan height above adjoining grade ~~17'~~ 17' (11')

Hood Specs

Style of Hood wall type with make-up air

Type of Filter aluminum (MEA approved)

Height of filter above nearest cooking surface 40" (43")

Capacity of hood CFM 5500 (7000)

Make up Air system description and capacity

A 0.5HP make-up air unit is interlocked with the 2HP exhaust unit to supply an amount of fresh return air approximately equal to the amount of the exhaust air.

permit #10-1509

408-B-23

please call Cai at 917-650-4254 when ready. Thanks!

RECEIVED

DEC 13 2010

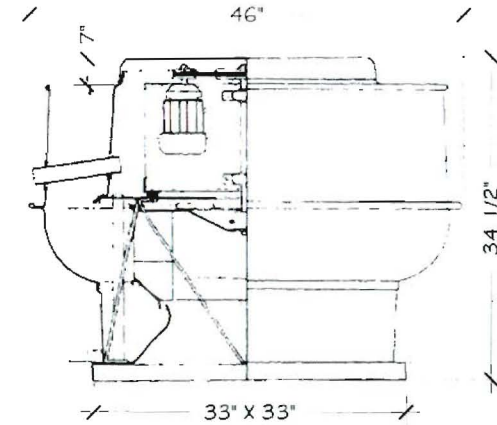
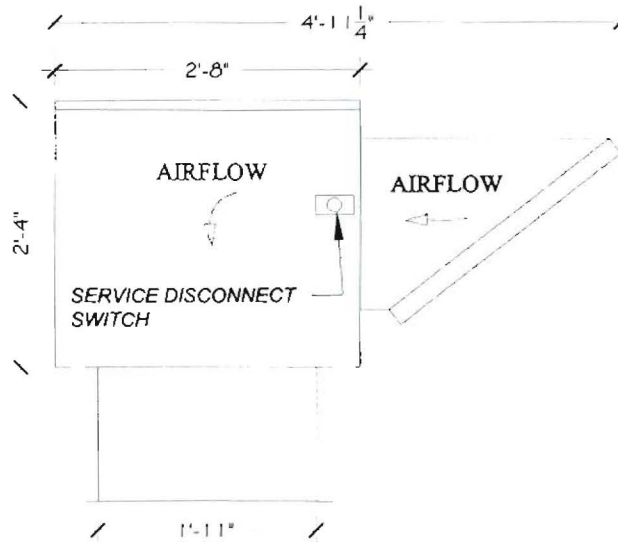
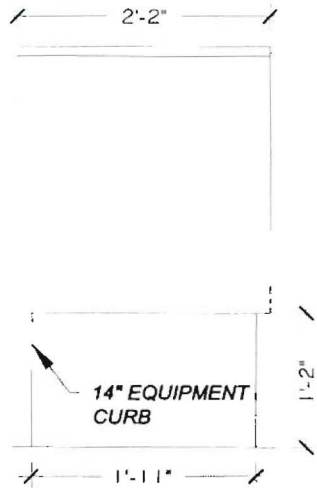
Dept. of Building Inspections
City of Portland Maine

FRESH AIR FAN INFORMATION

FAN UNIT NO.	FAN UNIT MODEL	BLOWER	CFM	S.P.	RPM	H.P.	VOLT
1	710	710	1600	1	989	0.49	240
2	710	710	1600	1	989	0.49	240

CURB ASSEMBLIES

NO.	ON FAN	SIZE
1	#1	23"W x 23"L x 14"H
2	#2	23"W x 23"L x 14"H



GALV. STEEL BASE = 14 GAUGE	ROOF OPENING = 25 IN.	TIP SPEED = 5905 FPM
ALUM. BASE = 0.060 IN.	DAMPER SIZE = 24 1/2 IN.	909 RPM (2HP)
DISCHARGE APRON = 0.064 IN.	MAX. MOTOR FRAME SIZE 184T	EST. WEIGHT = 180 LB

ROOF OPENING 2' SMALLER THAN CURB DIMENSON.

1223 Washington A

PIONEER KITCHEN SUPPLIES INC.

351 Broome Street, New York, NY 10013

Tel: (212)431-8828 Fax: (212)431-8892

SPECIFICATION OF NFPA c/o 96 WALL TYPE HOOD

WALL TYPE:

HOODS WILL BE CONSTRUCTED TO CONFORM TO N.F.P.A. CODE #96. BODIES OF 18 GAUGE STAINLESS STEEL TYPE 304. ALL EXTERNAL SEAMS WILL BE CONTINUOUSLY WELDED AND GROUND SMOOTH SO THAT HOOD WILL BE MOISTURE PROOF. BOX TYPE CONSTRUCTION. HOOD WILL BE CONSTRUCTED WITH FULL LENGTH FILTER FRAME CONSISTING OF THE SAME MATERIALS AS THE BODY. FILTER FRAME WILL FIT STANDARD SIZE FILTERS. REMOVABLE PITCHED GREASE TROUGHS UNDER BOTTOM OF FILTER FRAME INCLUDED TO CATCH GREASE FLOW FROM FILTERS. EASILY REMOVABLE GREASE CUP PROVIDED UNDER TROUGHS.

HOODS INCLUDED FULL COMPLIMENT OF ALUMINUM FILTERS WHICH ARE U. L. LISTED AND N.F.P.A. APPROVED. HOODS TO BE PROVIDED WITH WELDED BRACKETS ON TOP OF HOOD FOR MOUNTING. HOOD SIZE IS 20"-24".

HEIGHT & THE WIDTH IS 48".

WALL TYPE WITH MAKE-UP AIR:

WALL TYPE WITH MAKE-UP AIR'S HOOD FRONT HAVE INTEGRAL FRESH AIR MAKE UP AIR PLENUM CONSTRUCTED OF SAME MATERIAL AS HOOD.

PLENUM TO BE FITTED WITH MANUALLY OPERATED ADJUSTABLE MAKE UP AIR REGISTERS.

CHAMBER TO BE 6" WIDE. HOOD HAVE 2 WIDTH SIZES 48" OR 54".

NOTE:

MATERIAL:

18 GA. STAINLESS STEEL FOR THE ENTIRE HOOD.

CONSTRUCTION:

CONTINUALLY WELD FOR ALL SEAMS.

CLEANING:

NO GREASE COULD BE STOCK INSIDE THE HOOD. USE REMOVABLE GREASE CATCHER FOR EASY CLEAN PURPOSE

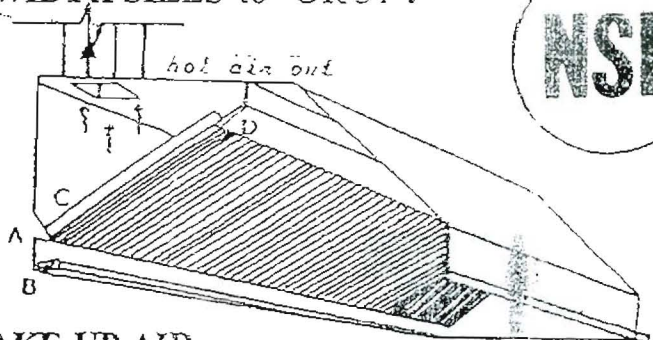
FILTER:

ALUMINUM FILTERS (MEA APPROVED)

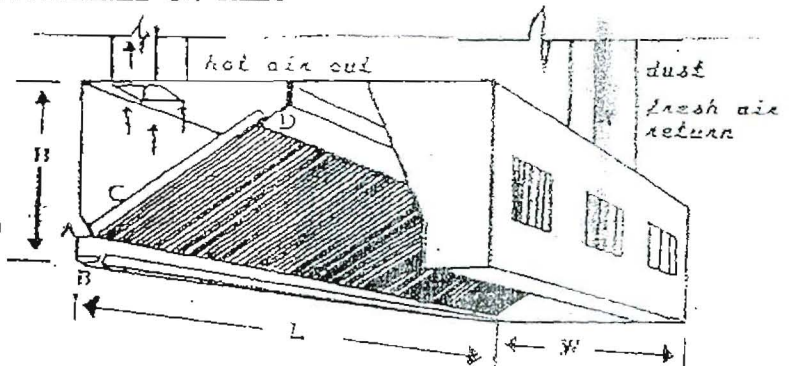
FIRE EXTINGUISHER SYSTEM:

MUST INSTALL BY LOCAL LICENSED COMPANY

WALL TYPE



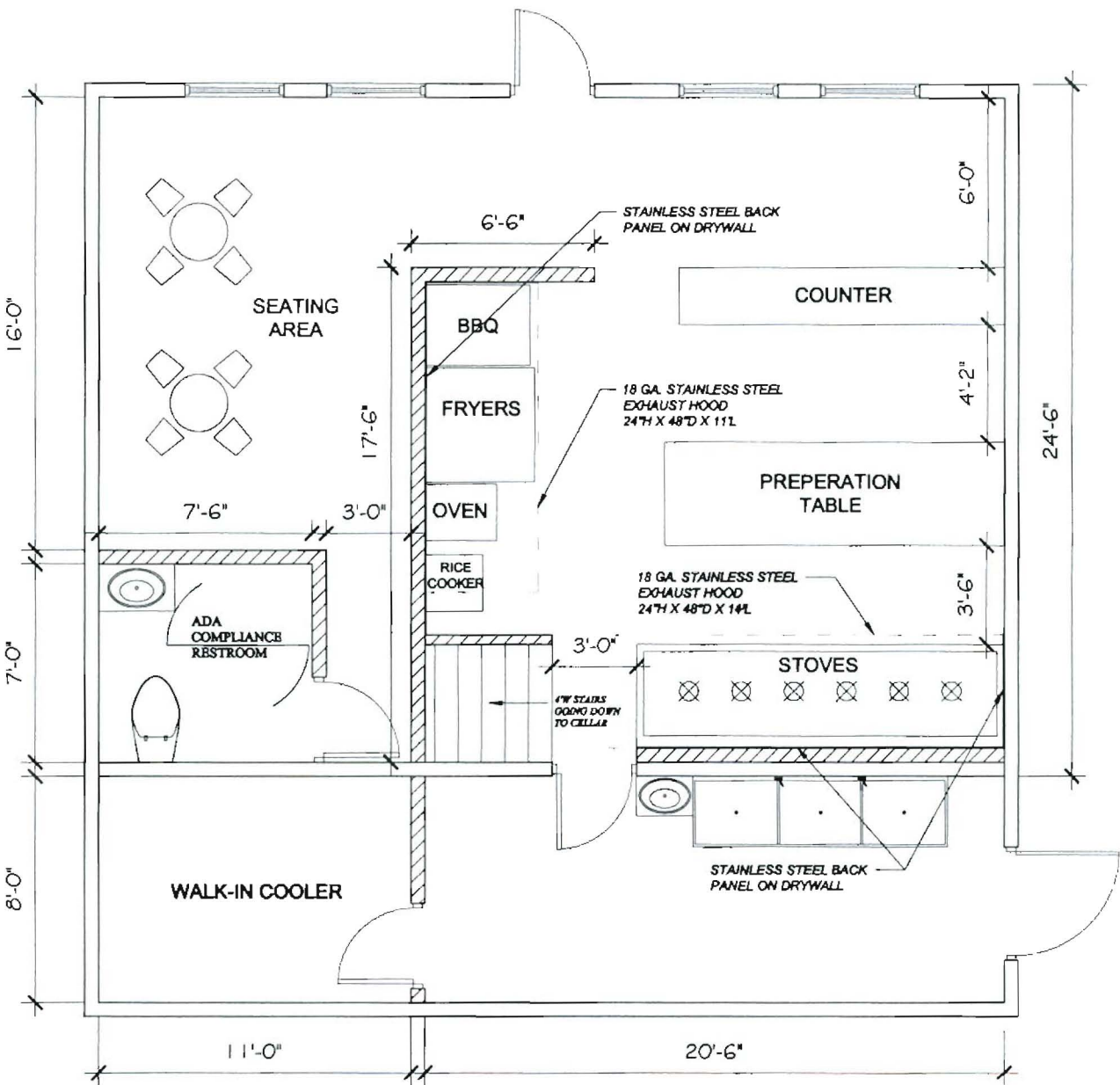
WALL TYPE W. MAKE-UP AIR



A= Grease Catcher

B=Holder

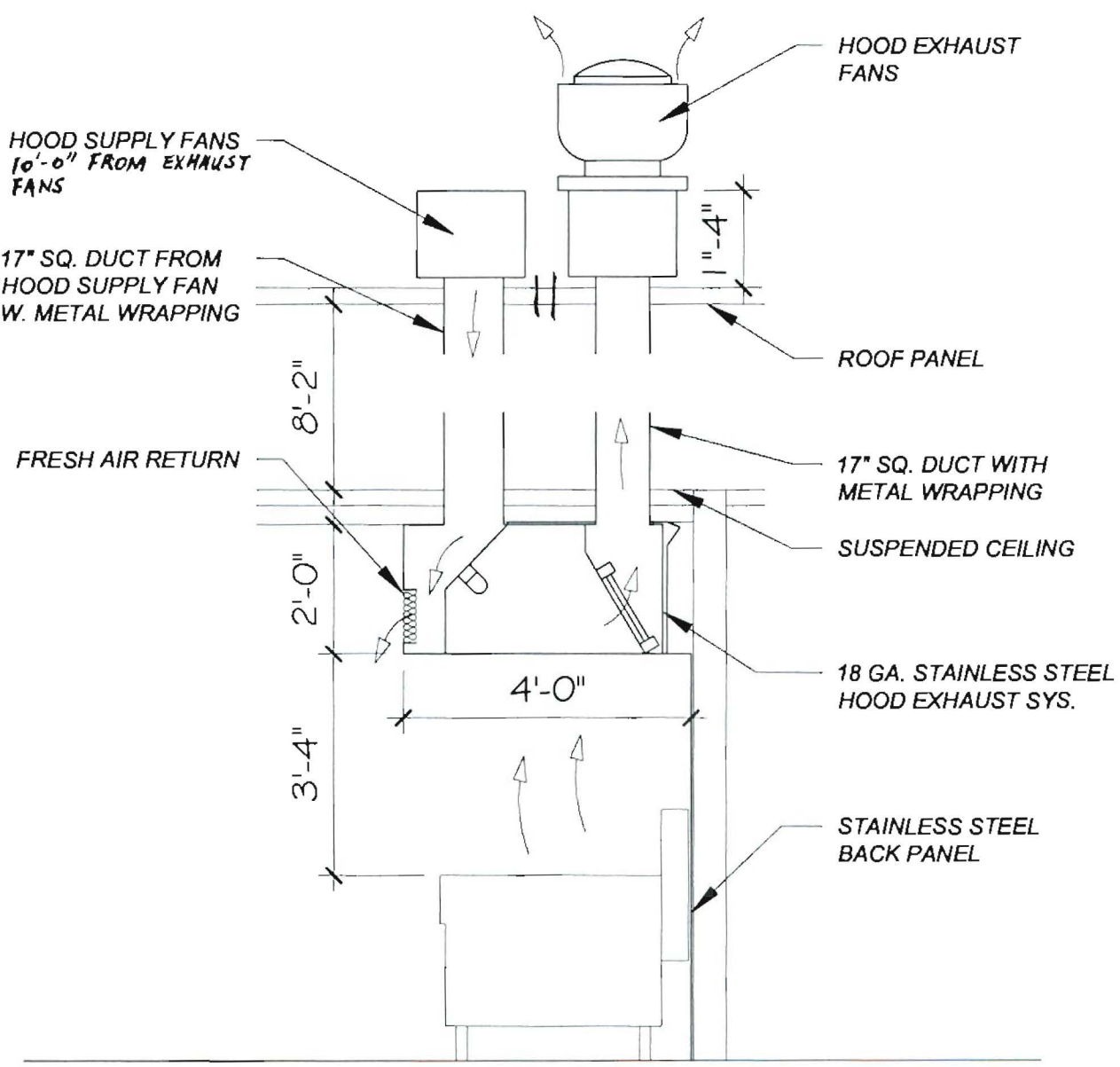
C=Filter



- EXISTING WALL - WOOD FRAME
- NEW PARTITION - METAL STUDS W. GYPSUM BOARDS

PLAN
SCALE: N.T.S.

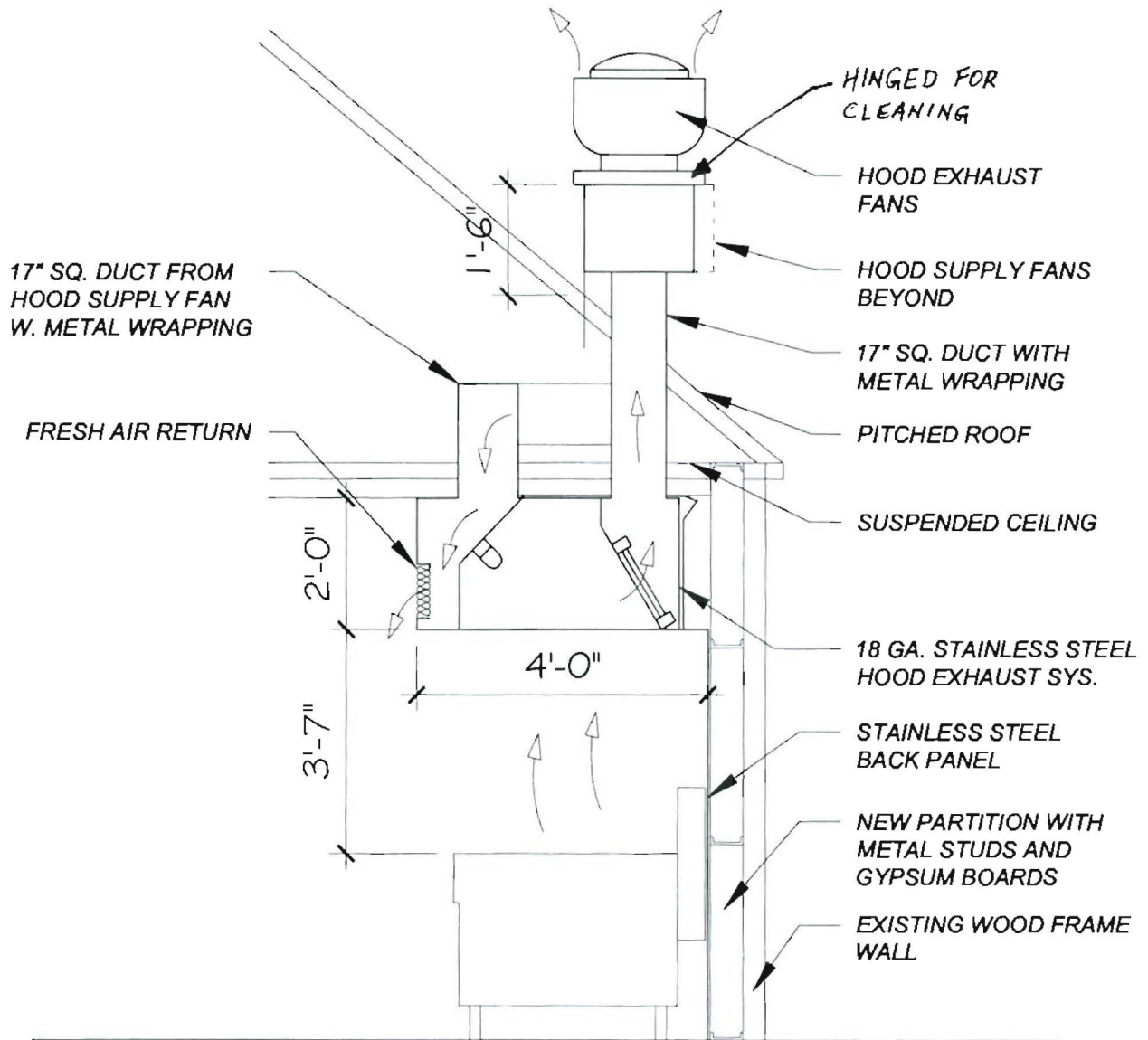
1223 Washington Ave.



HOOD EXHAUST SYS. 11FT.

SCALE: N.T.S.

1223 Washington Ave.



HOOD EXHAUST SYS. 14FT.

SCALE: N.T.S.

1223 Washington Ave.