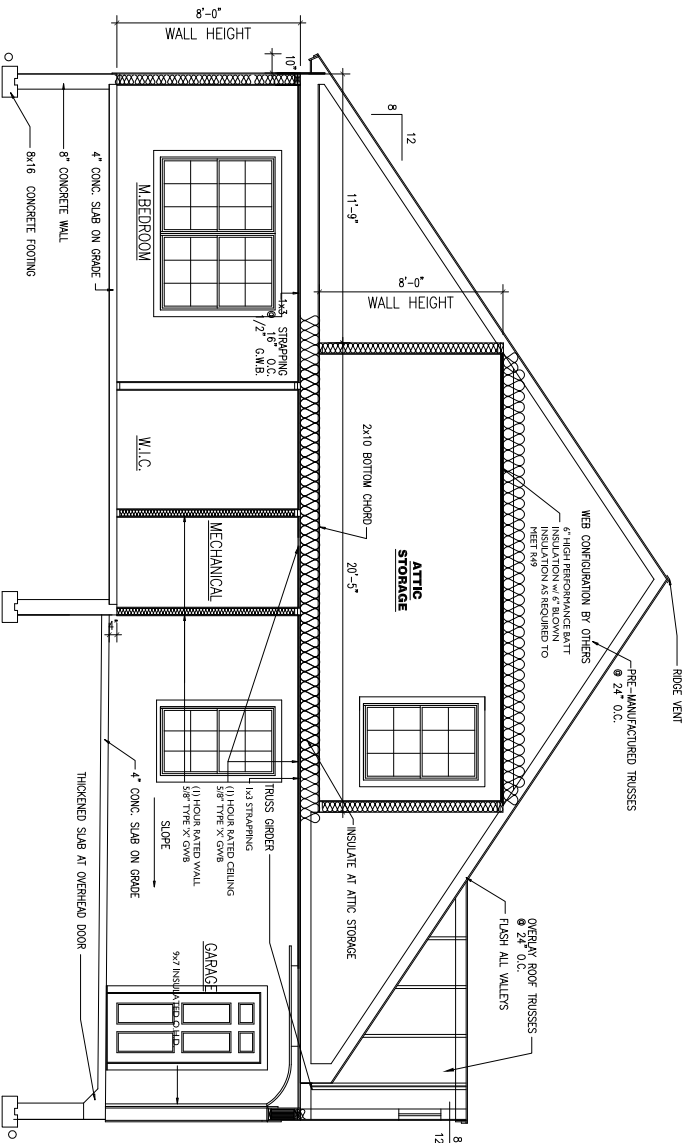
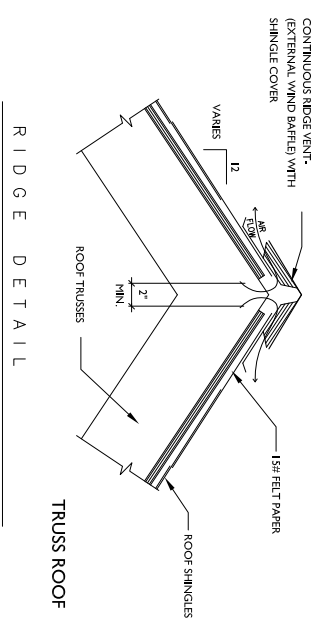


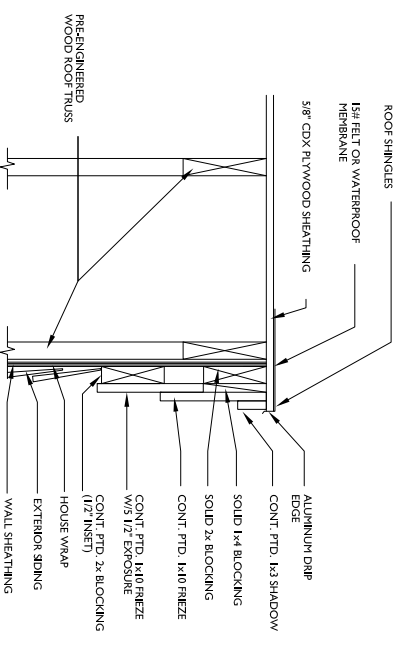
1 BUILDING SECTION
1/4" = 1'-0"



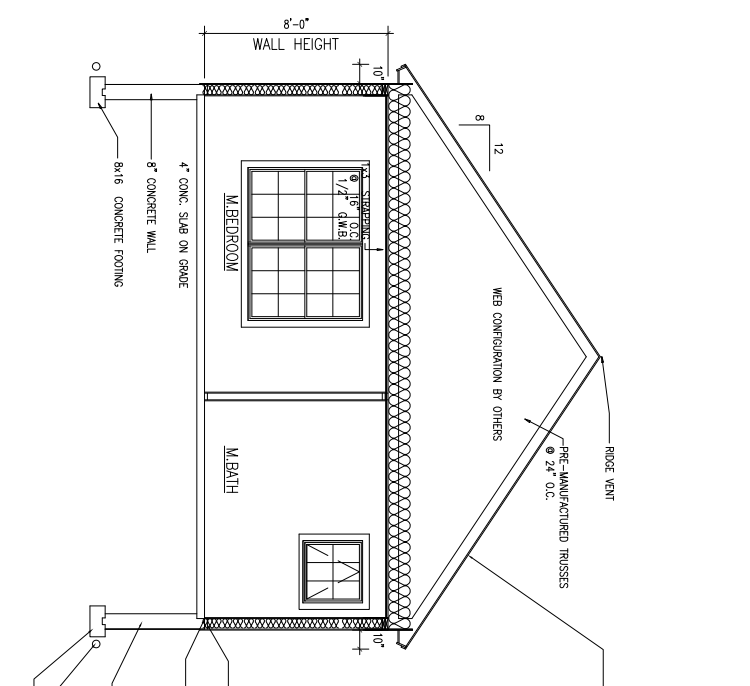
2 BUILDING SECTION
1/4" = 1'-0"



RIDGE DETAIL
SCALE: 1 1/2" = 1'-0"



RAKE DETAIL
SCALE: 1 1/2" = 1'-0"



3 BUILDING SECTION
1/4" = 1'-0"

- TYPICAL ROOF CONSTRUCTION**
- ROOF VENT
 - 30 YEAR ARCHITECTURAL ROOF SHINGLES
 - 5/8" APA RATED SHEATHING W/ 10d NAILS - RING SPUNK @ 8" O.C. PANEL EDGES AND @ O.C. INTERMEDIATE
 - #15 FELT PAPER
 - (2) ROLLS 36" WIDE WATERPROOF MEMBRANE @ EDGES.
- ROOF TRUSSES**
- 6" HIGH PERFORMANCE BATT INSULATION w/ 6" BLOWN INSULATION AS REQUIRED TO MEET R49
 - 1x3 STRAPPING @ 16" O.C. 1/2" G.N.B.
- TYP. EXTERIOR WALL:**
- 1/2" G.N.B. OVER
 - 4" M.L. KENF. POLY VAPOR BARRIER
 - 2x6 STUDS @ 16" O.C.
 - 5/8" APA RATED SHEATHING W/ 10d NAILS - RING SPUNK @ 8" O.C. PANEL EDGES AND @ O.C. INTERMEDIATE
 - 7/16" APA RATED SHEATHING
 - 10d NAILS - RING SPUNK @ 4" O.C. PANEL EDGES AND @ O.C. INTERMEDIATE
 - 1/2" G.N.B. OVER
 - BLDG. WRAP UNDER SIDING
- TYP. INTERIOR WALL:**
- 2x6 P.T. SILL
 - W/ SILL SEALER
 - 5/8" DN. x 12" LONG HOOKED ASOT ANCHOR BARS @ 3'-0" O.C. AND 1'-0" FROM BOTH SIDES OF CORNERS AND FROM ENDS OF PLATES (TYP.)
 - WALL REINFORCING: 2-#4 BARS CONT. TOP & BOTTOM OF WALL
 - PENETRATOR DRAWN
 - 5'-16" FOOTING
 - 8x16 CONCRETE PIER
 - 3" CLEAR (TYP.)

Private Residence
Portland, Maine