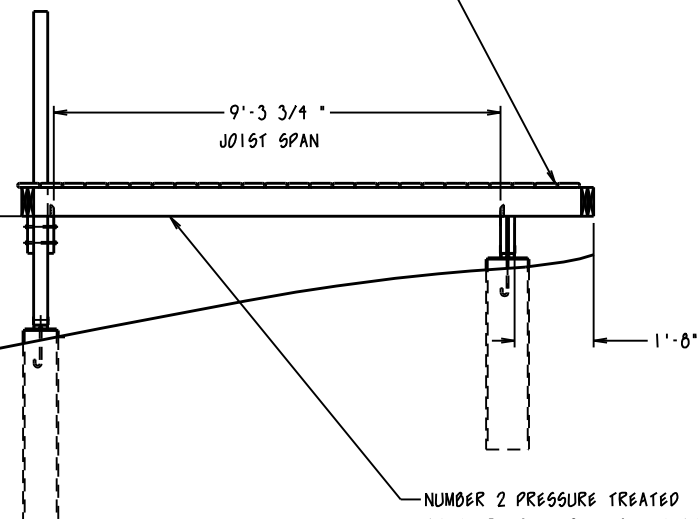
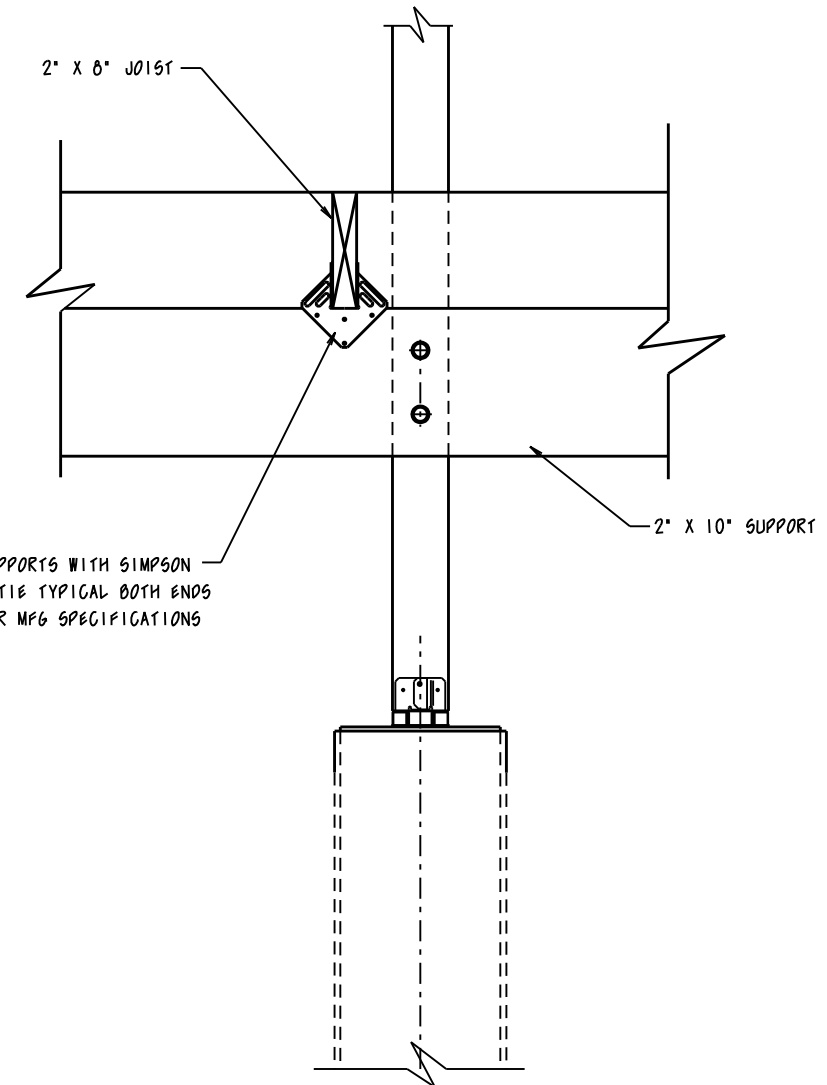


5/4 X 6" WIDE PRESSURE TREATED DECKING
SCREWED TO FRAME WITH DECK MATE SCREWS



JOISTS FASTENED TO SUPPORTS WITH SIMPSON
STRONG TIE HURRICANE TIE TYPICAL BOTH ENDS
OF JOISTS FASTENED PER MFG SPECIFICATIONS

NUMBER 2 PRESSURE TREATED
SOUTHERN PINE 2" X 8" JOISTS
SPACED 16" ON CENTER FASTENED
TO SUPPORTS WITH SIMPSON
STRONG TIE 10 60 GALVANIZED
HURRICANE TIE



NOTE: THIS IS A NON PROFESSIONAL DRAWING AND WAS MADE
FOR PERMIT APPROVAL WITH THE CITY OF PORTLAND MAINE
IT HAS NOT BEEN APPROVED AND SHOULD NOT BE
USED FOR CONSTRUCTION UNTIL SUCH APPROVAL IS GIVEN

NEW FREE STANDING DECK
115 PENN AVE. PORTLAND MAINE

SHEET 4 OF 6 FLOOR FRAMING AND DECKING

SCALE : 1/4" = 1'-0"
ORIGIAML SHEET SIZE 12 X 18 B SIZE