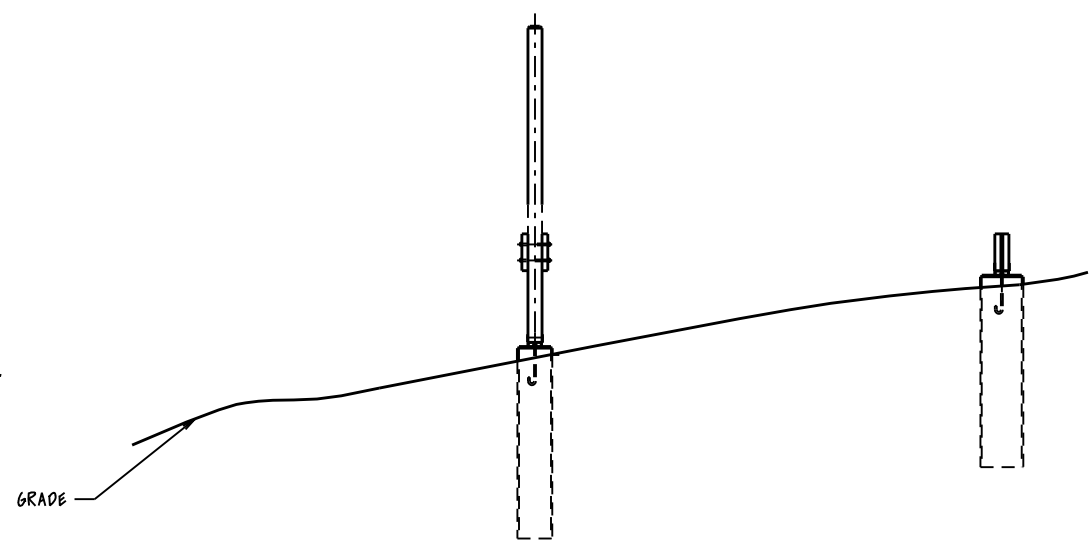
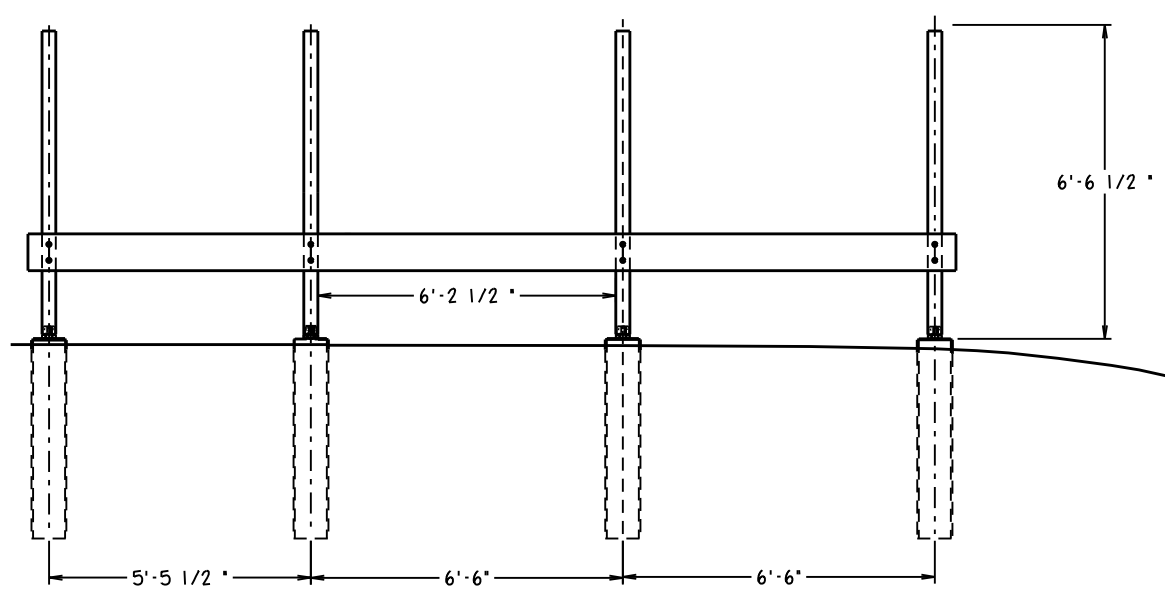


NOTE: THIS IS A NON PROFESSIONAL DRAWING AND WAS MADE FOR PERMIT APPROVAL WITH THE CITY OF PORTLAND MAINE IT HAS NOT BEEN APPROVED AND SHOULD NOT BE USED FOR CONSTRUCTION UNTIL SUCH APPROVAL IS GIVEN



NEW FREE STANDING DECK
115 PENN AVE. PORTLAND MAINE