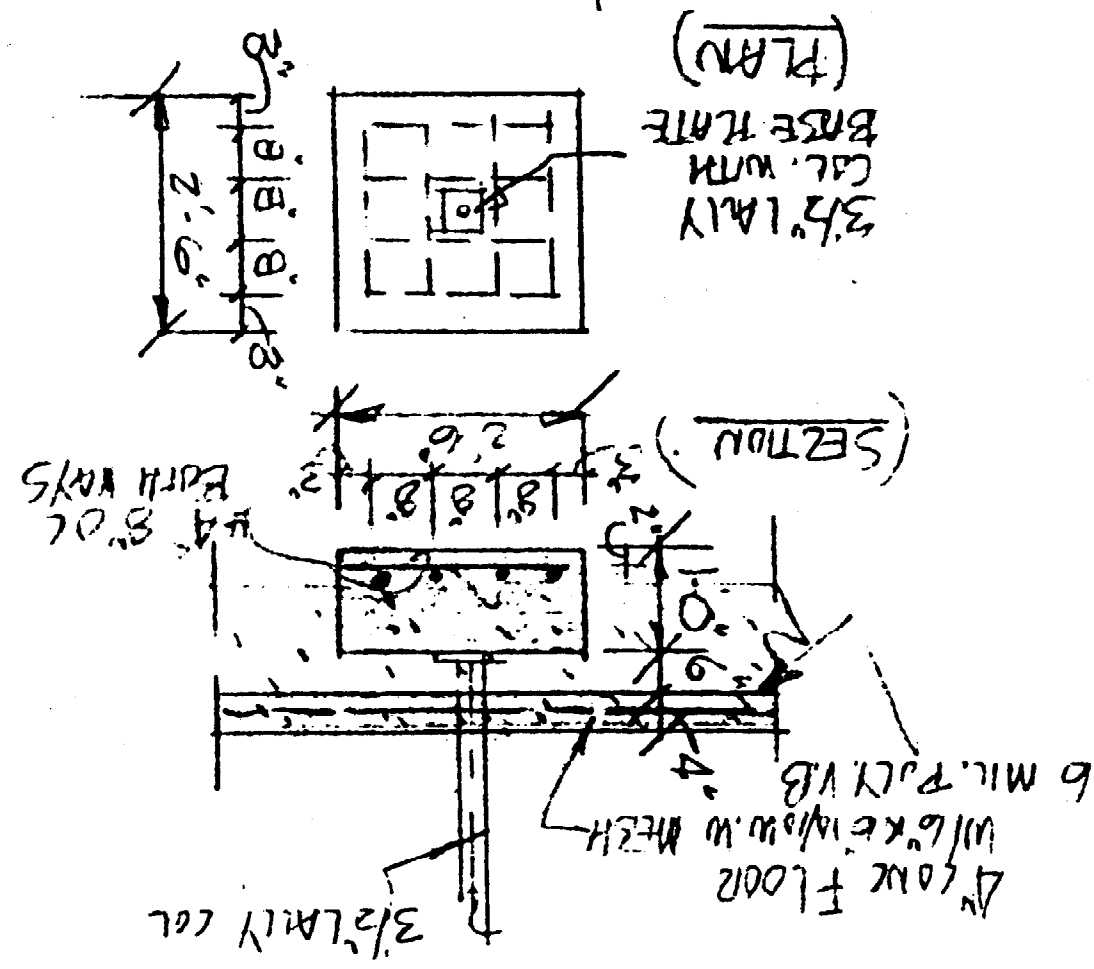


NOTE
 SIZE, LOCATION, AND TYPE OF CEILING BASH,
 SEWER LINE EXIT, WATER LINE ENTRY, OR
 ANY OTHER REQUIRED OPENING IN FOUNDATION,
 TO BE DETERMINED BY CONTRACTOR.

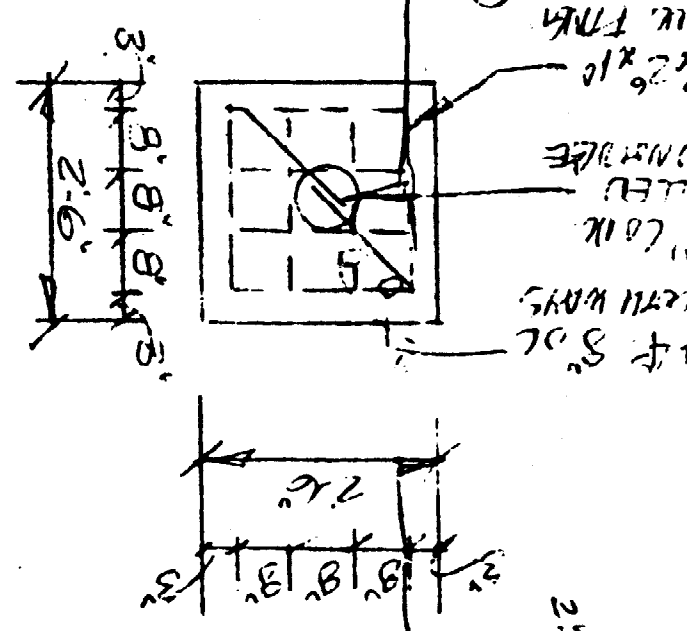
1. INSTALL 1/2" AIR CURTAIN BARS WITH 3" THICKNESS AND 3" BEDDING PER SQ. FT. MAXIMUM AND 1" FROM EDGE OF SILL WITH HEX. NUT & WASHER.
2. MINIMUM SOIL BREAK PRESSURE IS ASSUMED TO BE 3000 PSI. PER SQ. FT. ADDITIONAL REQUIREMENTS TO BE DETERMINED BY CONTRACTOR. INSTALL 3" MIN. THICKNESS TO BE LOCATED BELOW MOST LIKELY AND DO NOT STRUCTURALLY SOUND & UNDISTURBED SOILS.
3. CEILING BASH WITH LOCATIONS AND TYPE TO BE DETERMINED BY CONTRACTOR. INSTALL 3" MIN. THICKNESS WITH A MINIMUM COMPRESSIVE STRENGTH OF 3000 PSI.
4. CONCRETE SHALL BE AIR ENTRAINED. TOTAL AIR CONTENT SHALL NOT BE LESS THAN 5% OR MORE.

NOTES 1

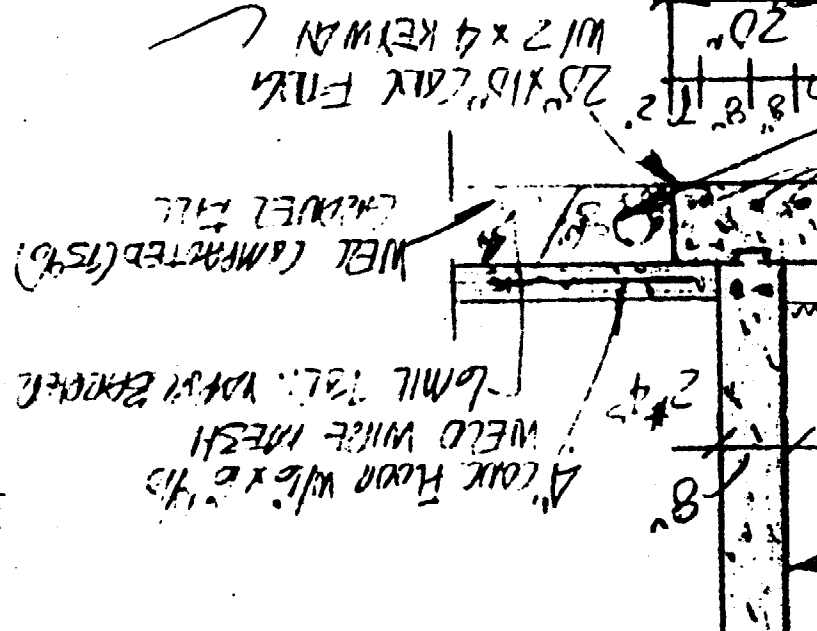
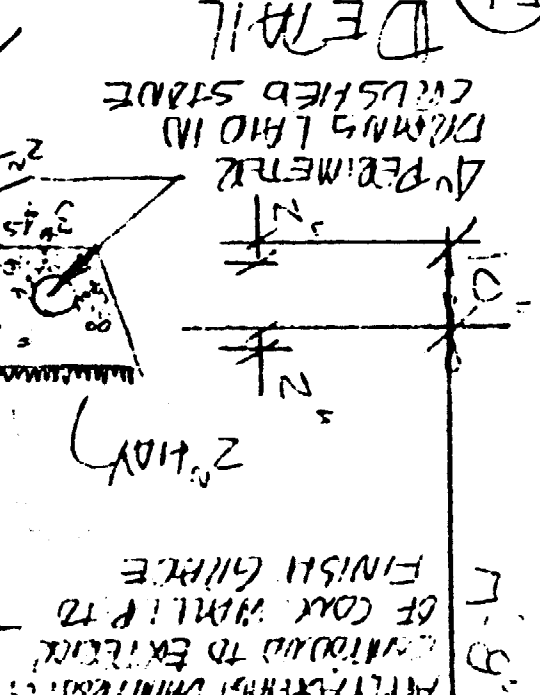
LALLY COL FOOTING DETAILS



SLOPE DETAIL (FROM PARCH)



DETAIL F1



DETAIL F2

