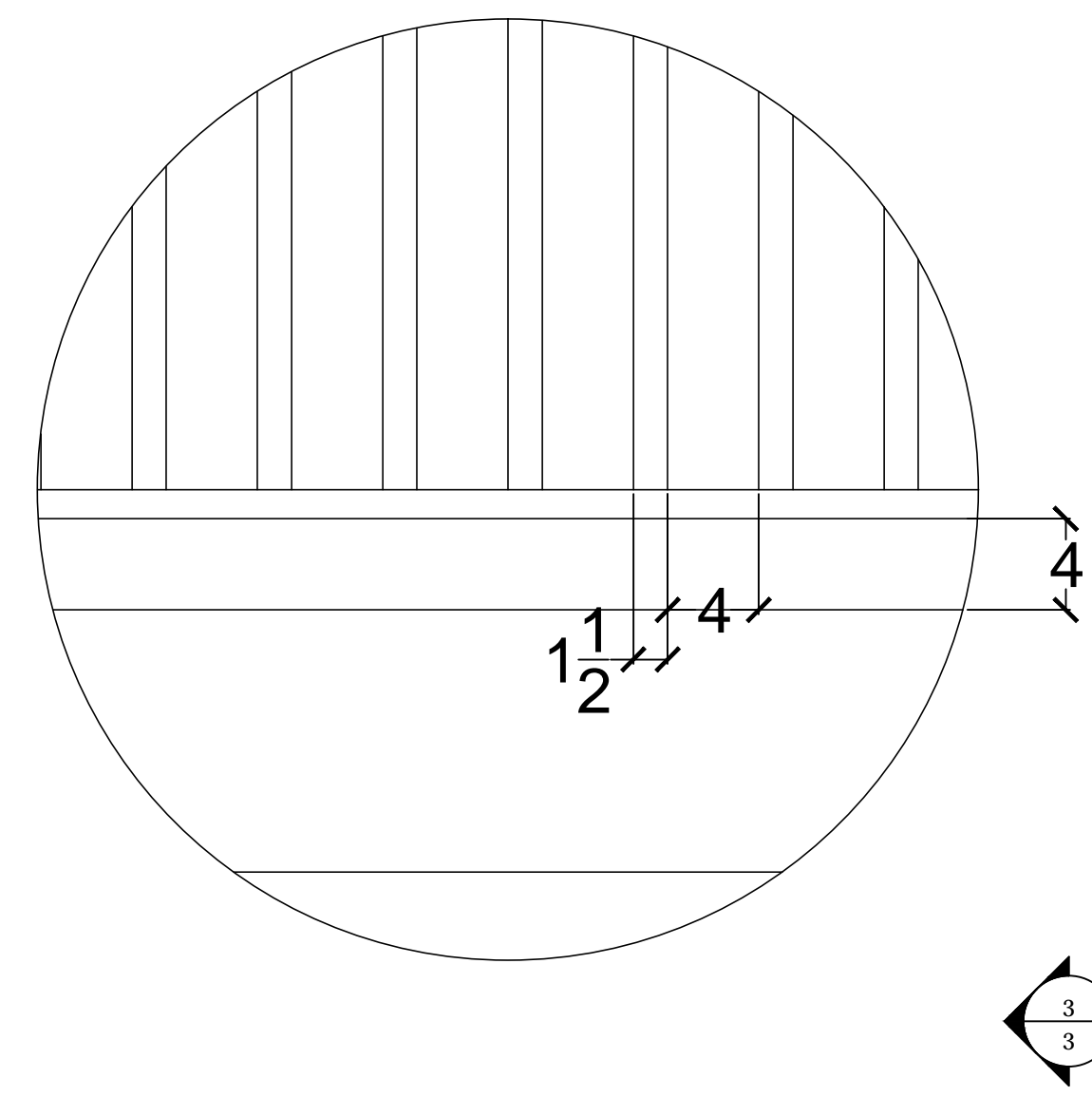
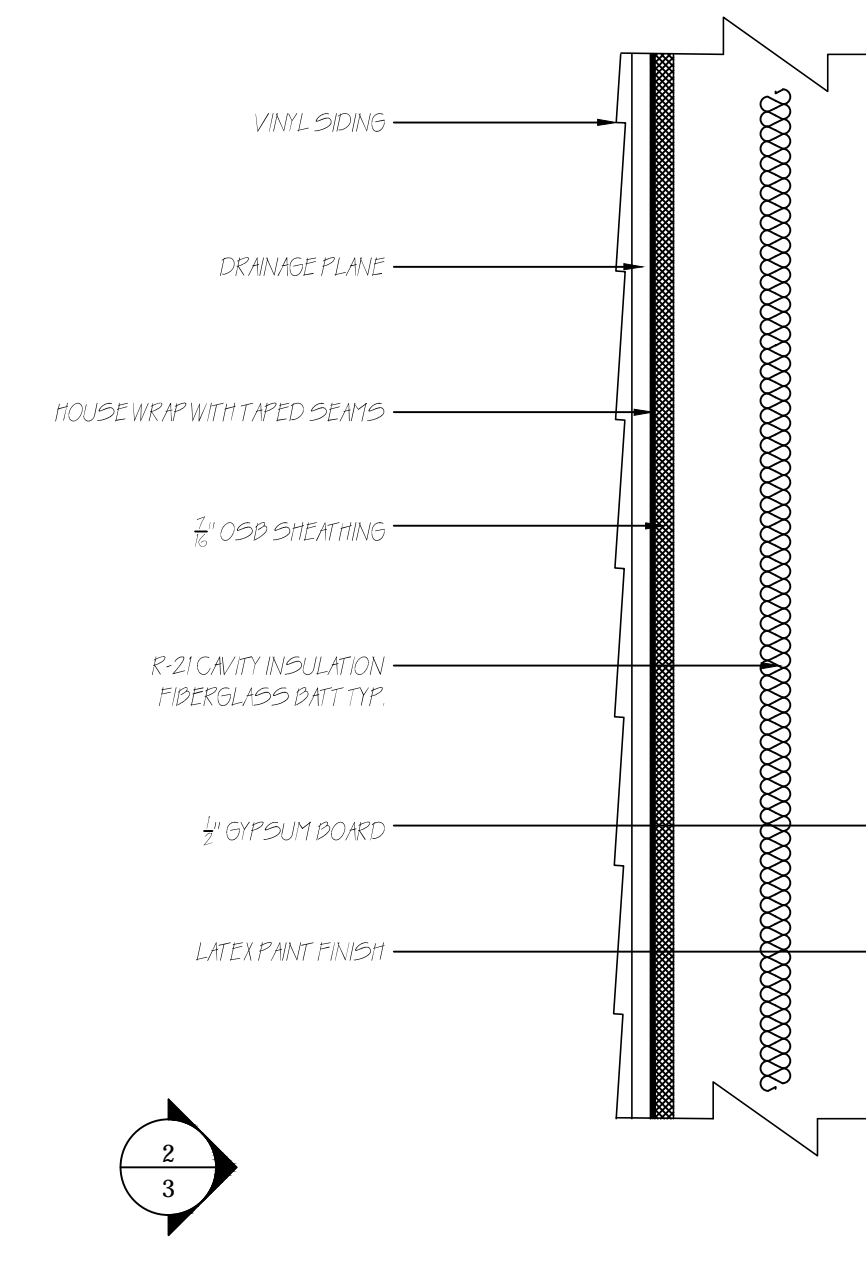


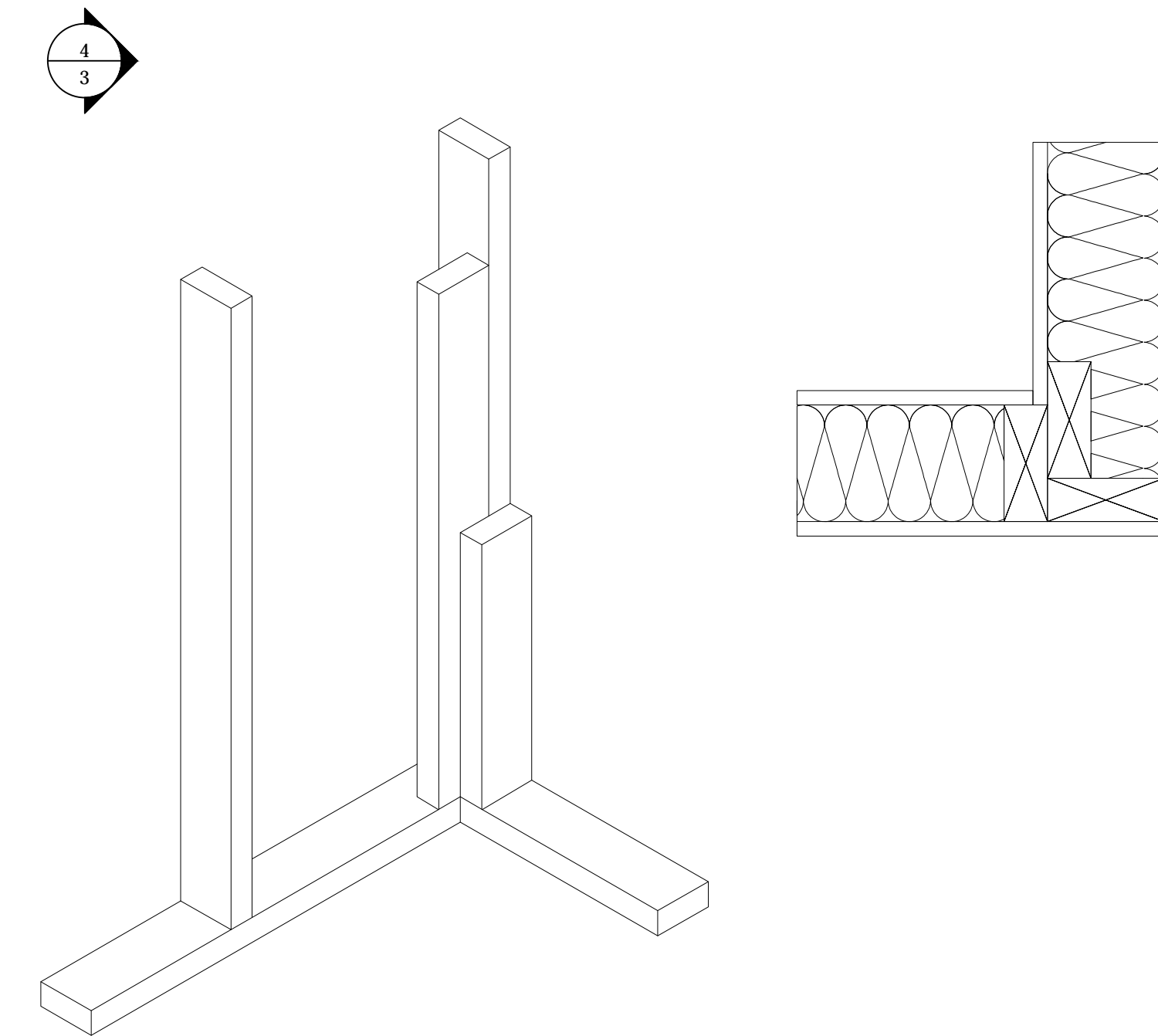
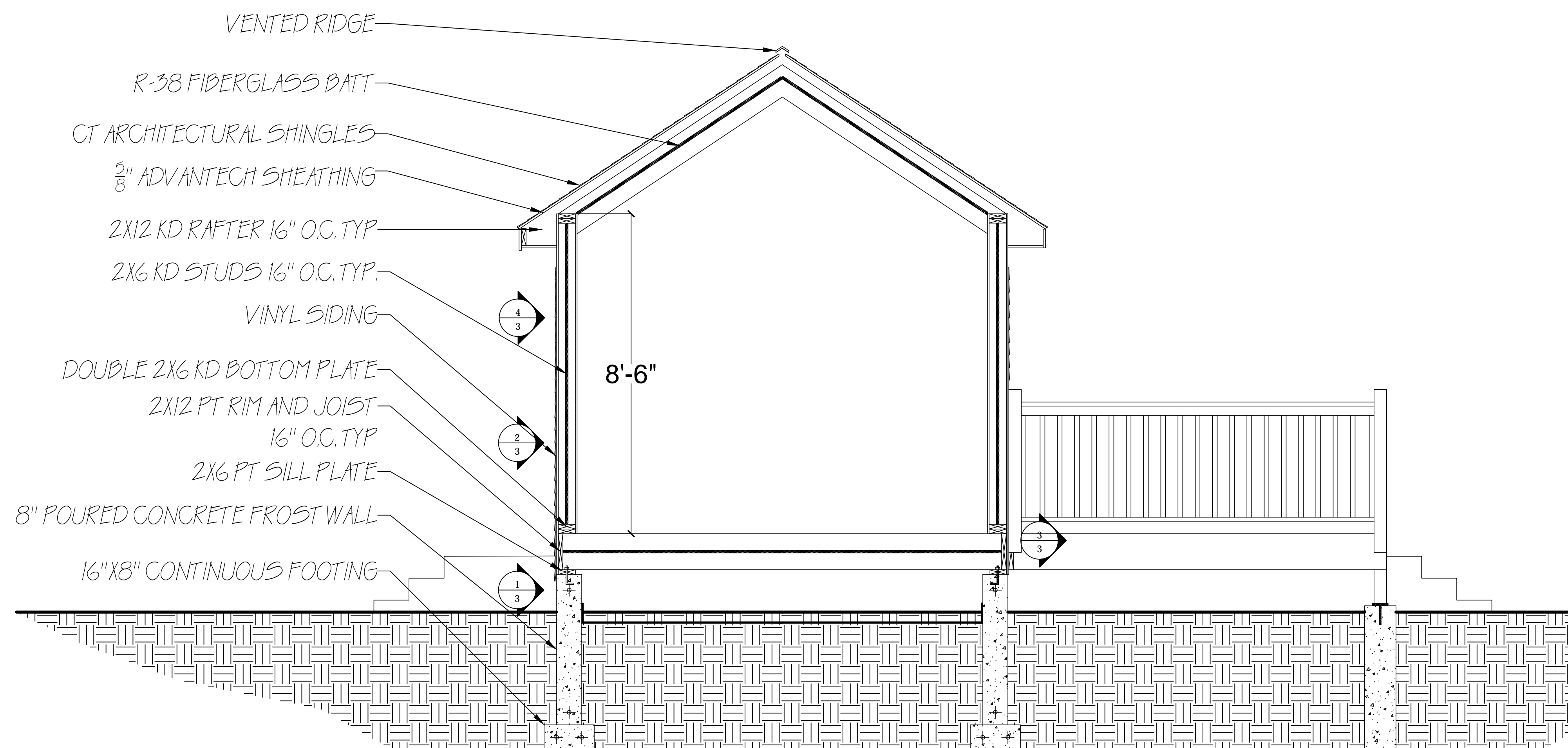
FOUNDATION DETAIL



DECK RAIL DETAIL



WALL SECTION



CORNER FRAMING DETAIL

THIS INFORMATION IS PROVIDED TO YOU AS A SERVICE OF MAINE CONTRACTORS GROUP, LLC, AND IS NOT THE WORK PRODUCT OF ANY LICENSED ARCHITECT OR PROFESSIONAL ENGINEER. NEITHER MAINE CONTRACTORS GROUP, LLC, NOR ANY OF ITS EMPLOYEES ARE LICENSED ARCHITECTS OR PROFESSIONAL ENGINEERS WITHIN THE STATE OF MAINE, AND YOU MAY WANT TO CONSULT WITH A LICENSED ARCHITECT OR PROFESSIONAL ENGINEER BEFORE USING THIS INFORMATION FOR ANY PROJECT. MAINE CONTRACTORS GROUP, LLC AND HEREBY DISCLAIMS ANY EXPRESS WARRANTIES, IN NO WAY SHOULD THIS PARAGRAPH BE CONSTRUED AS A DISCLAIMER BY MAINE CONTRACTORS GROUP, LLC. WE ARE BOUND BY WARRANTIES IMPLIED BY LAW.

#	REVISIONS	DATE

MAIN OFFICE:
5 MAIN STREET
TOPSHAM, MAINE
PHONE: 207-406-2135
FAX: 207-406-4967

MAINE CONTRACTORS GROUP, LLC,
WHIPKEY PROJECT
SECTION
SHEET NUMBER: 3 OF 4
r/c@maincontractorsgroup.com

DATE: 7/30/15
DESIGNER: RFD
SCALE: NTS

COPYRIGHT
PROTECTED