

FLOOR PLAN

MCCARTY
32 LORING AVENUE
PORTLAND, MAINE
04103

SCALE: 1: 50

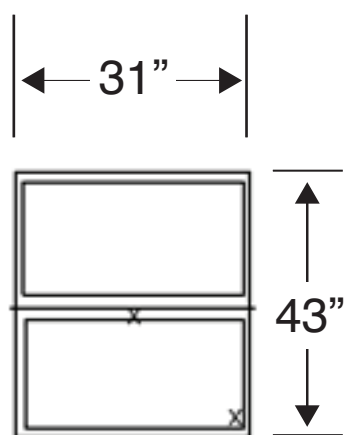
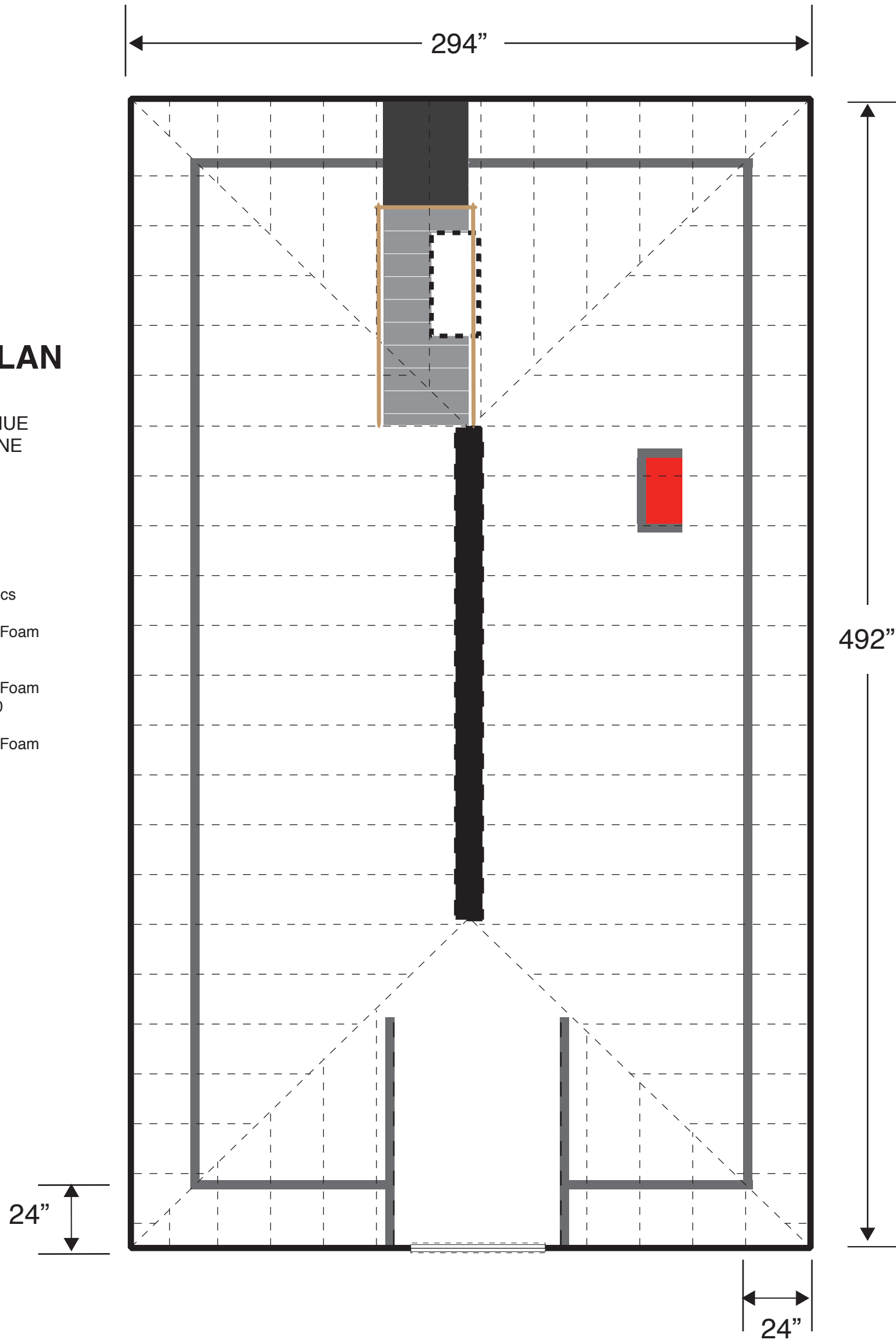
ATTIC

ROOF Insulation Specs

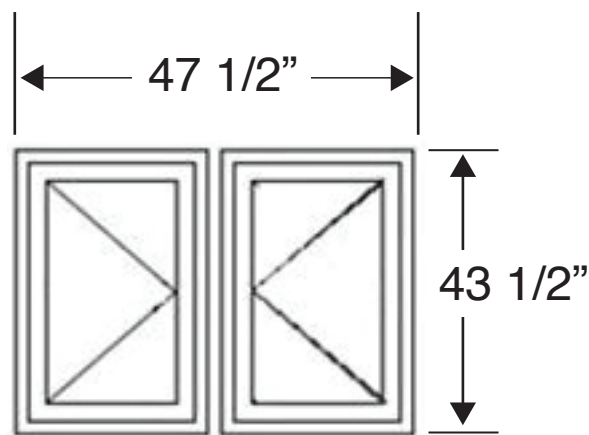
5" Closed Cell Spray Foam
at roof slopes - R32

3" Closed Cell Spray Foam
at exterior walls - R20

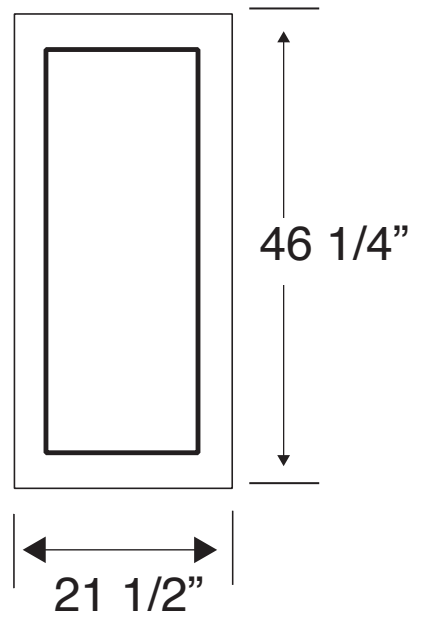
4" Closed Cell Spray Foam
at porch ceiling - R20



EXISTING
single hung window
w/o tempered glass



REPLACEMENT
casement window
w/tempered glass, swing out



NEW
skylight
*Fresh Air Skylight Deck-Mount
Vented with Tempered LowE3 Glass*