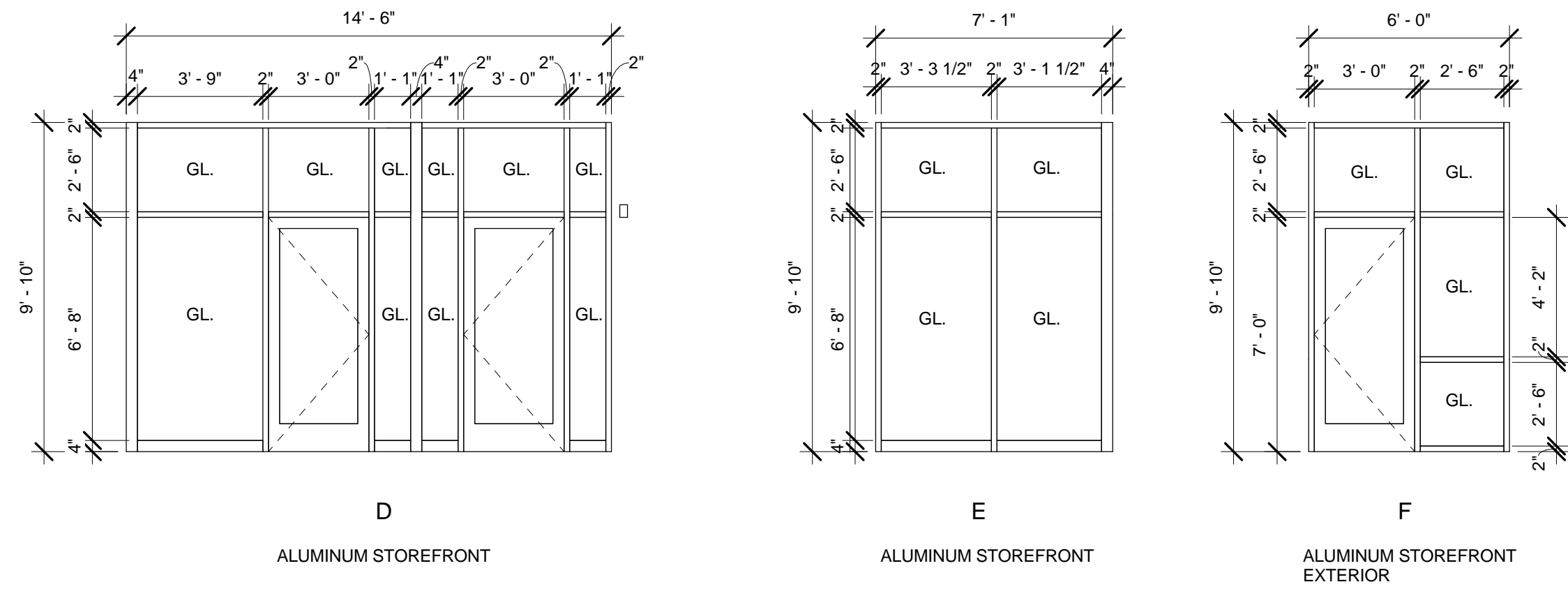
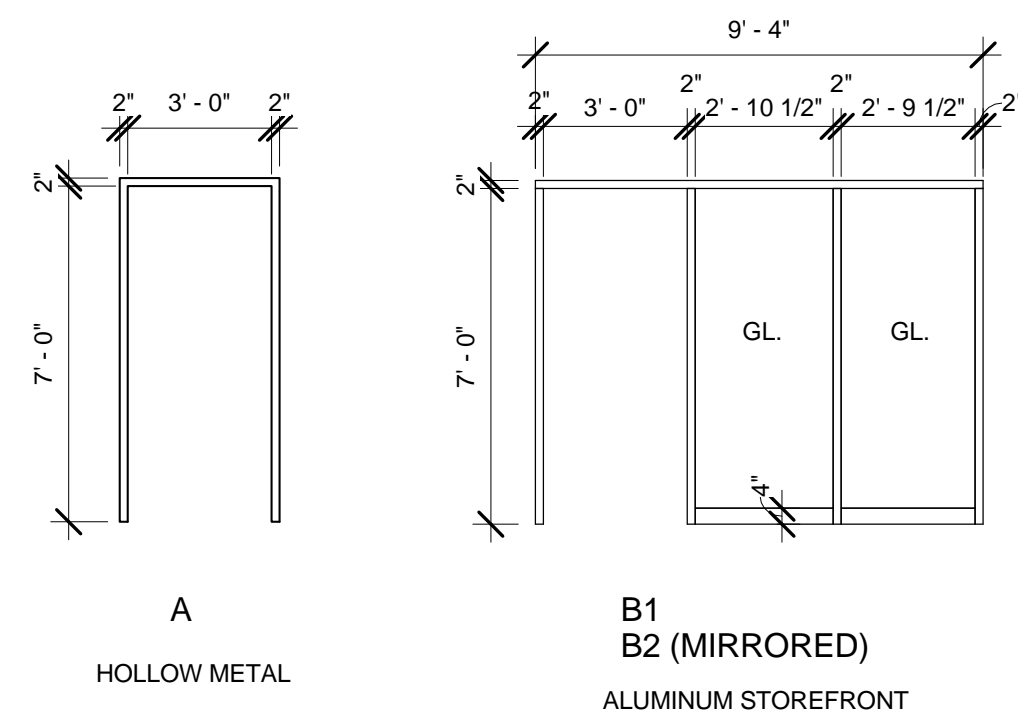
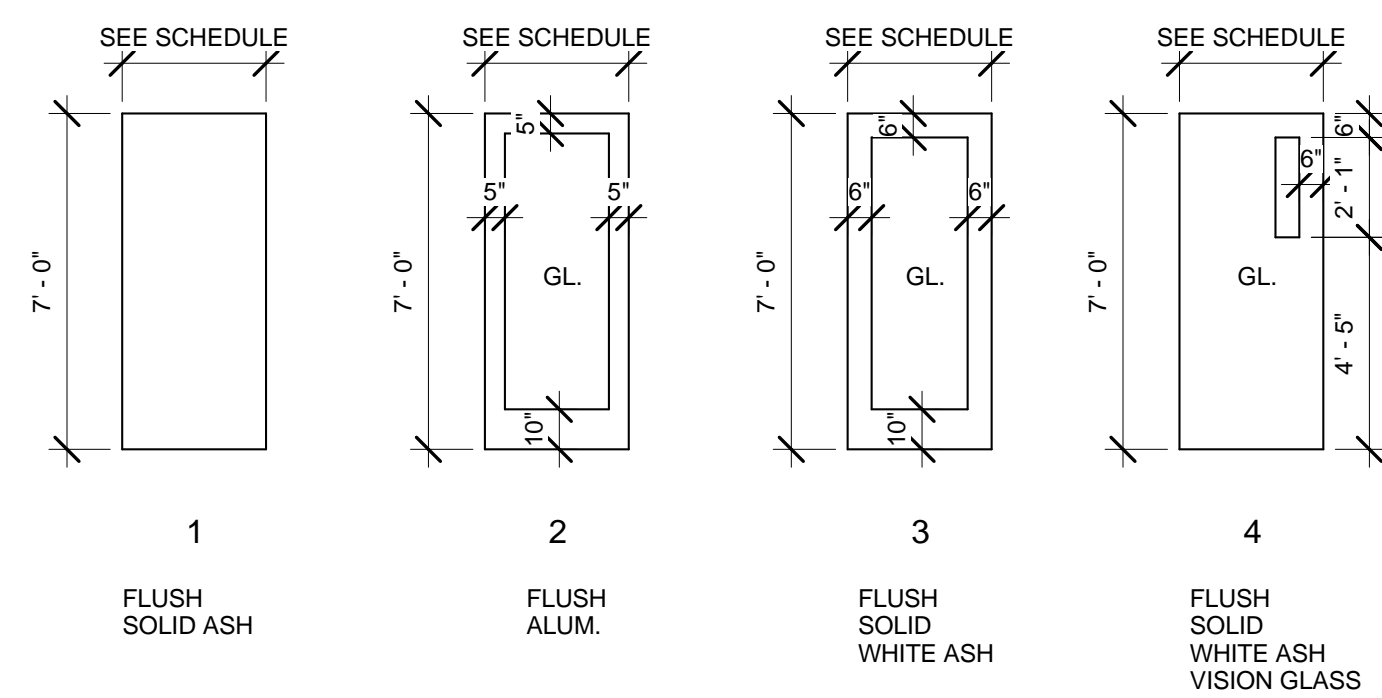
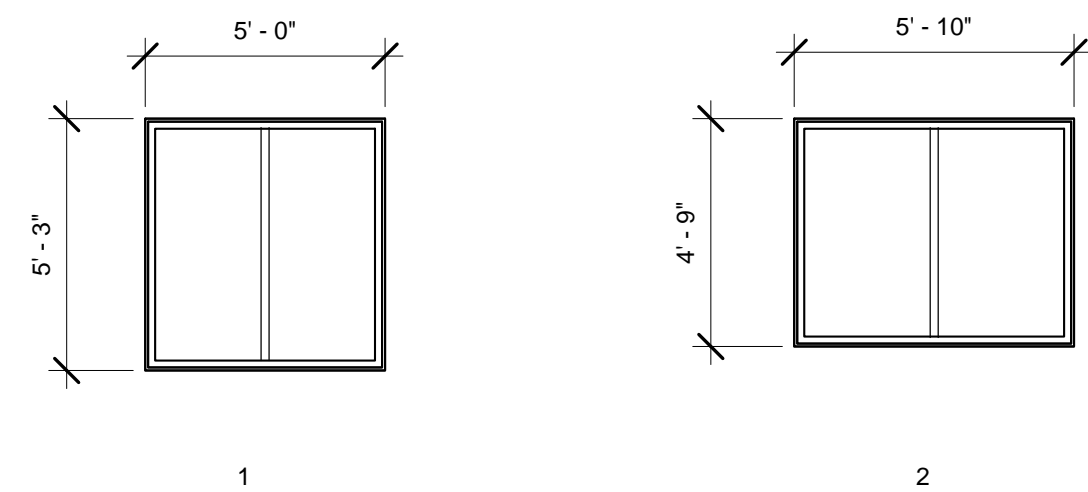


DOOR NO.	TYPE	WIDTH	HEIGHT	THICKNESS	DOOR MATERIAL	FRAME MATERIAL	FRAME TYPE	FRAME HEAD	FRAME JAMB	FIRE RATING	NOTES
100A	2	3' - 0"	7' - 0"		AL	AL	F	A3/A600	A3/A600		CODE KEY LOCK
100B	2	3' - 0"	7' - 0"		AL	AL	D	A3/A600	A3/A600		
102	3	3' - 0"	7' - 0"	1 3/4"	WD	AL	B	A3/A600	A3/A600		
104	3	3' - 0"	7' - 0"	1 3/4"	WD	AL	C	A3/A600	A3/A600		
104A	1	3' - 0"	7' - 0"	1 3/4"	WD	HM	A		B4/A501		
104B	1	3' - 6"	7' - 0"		EXST	EXST					
105	3	3' - 0"	7' - 0"	1 3/4"	WD	AL	B	A3/A600	A3/A600		
106	3	3' - 0"	7' - 0"	1 3/4"	WD	AL	B	A3/A600	A3/A600		
107	3	3' - 0"	7' - 0"	1 3/4"	WD	HM	A	A1/A600	A1/A600		
108	3	3' - 0"	7' - 0"	1 3/4"	WD	HM	A	A1/A600	A1/A600		
109	1	3' - 0"	7' - 0"	1 3/4"	WD	HM	A	A1/A600	A1/A600		
110	4	3' - 0"	7' - 0"	1 3/4"	WD	HM	A	A1/A600	A1/A600		CODE KEY LOCK
111	EXST	2' - 6"	7' - 0"	1 3/4"							EXISTING DOOR TO REMAIN. NEW PAINT; CARD ACCESS
112	EXST	3' - 0"	7' - 0"	1 3/4"							EXISTING DOOR TO REMAIN. NEW PAINT
113	EXST	2' - 0"	6' - 8"	1 3/4"							EXISTING DOOR TO REMAIN. NEW PAINT
114	EXST	3' - 0"	7' - 0"	1 3/4"							EXISTING DOOR TO REMAIN. NEW PAINT
116	EXST	3' - 0"	7' - 0"	1 3/4"							EXISTING DOOR TO REMAIN. NEW PAINT
117A	EXST	3' - 0"	7' - 0"	1 3/4"							EXISTING DOOR TO REMAIN. NEW PAINT; CODE KEY LOCK
118	EXST	2' - 8"	7' - 0"	1 3/4"							EXISTING DOOR TO REMAIN. NEW PAINT; CARD ACCESS
119	3	3' - 0"	7' - 0"	1 3/4"	WD	AL	D				

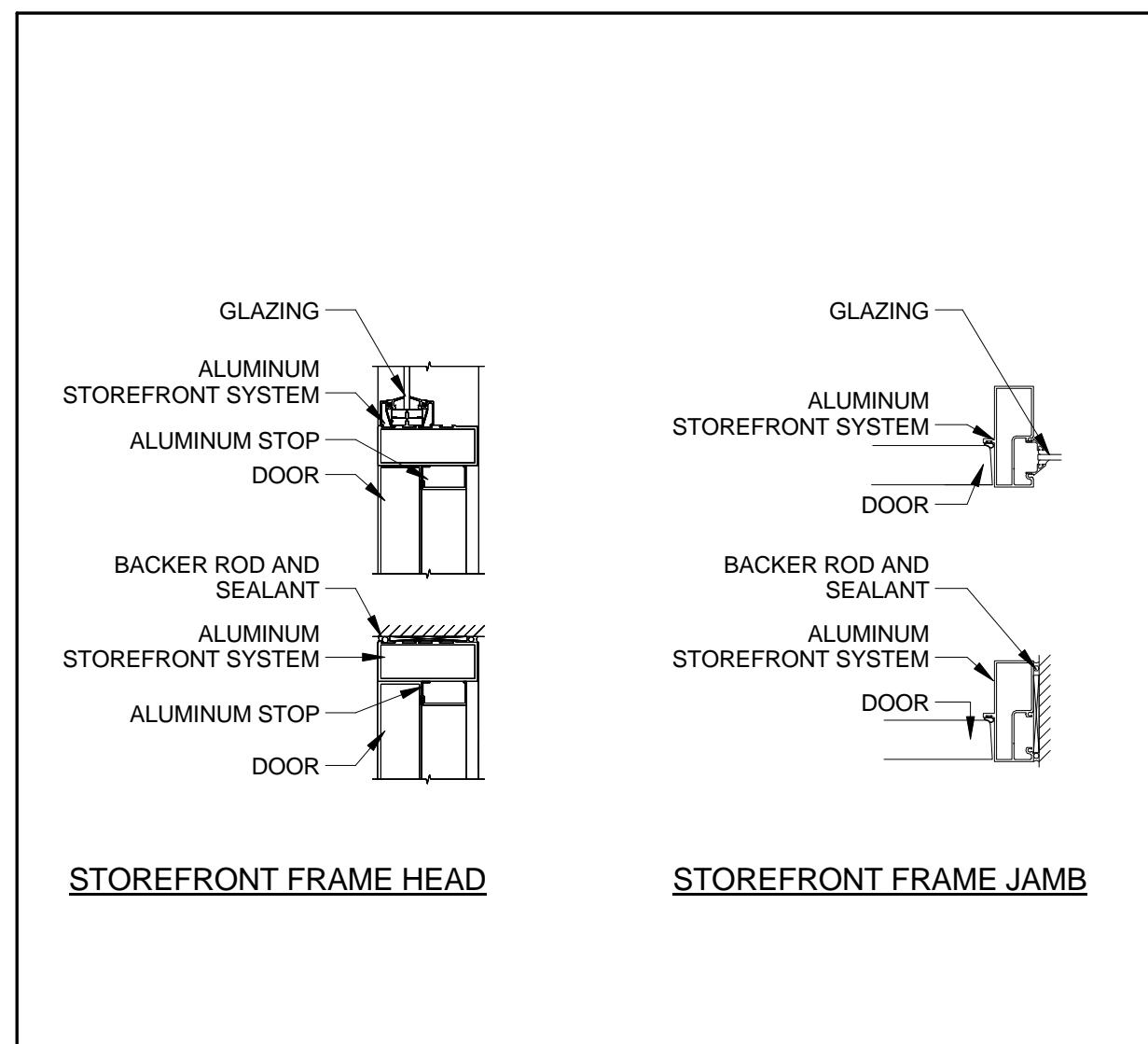


DOOR TYPES
1/4" = 1'-0"

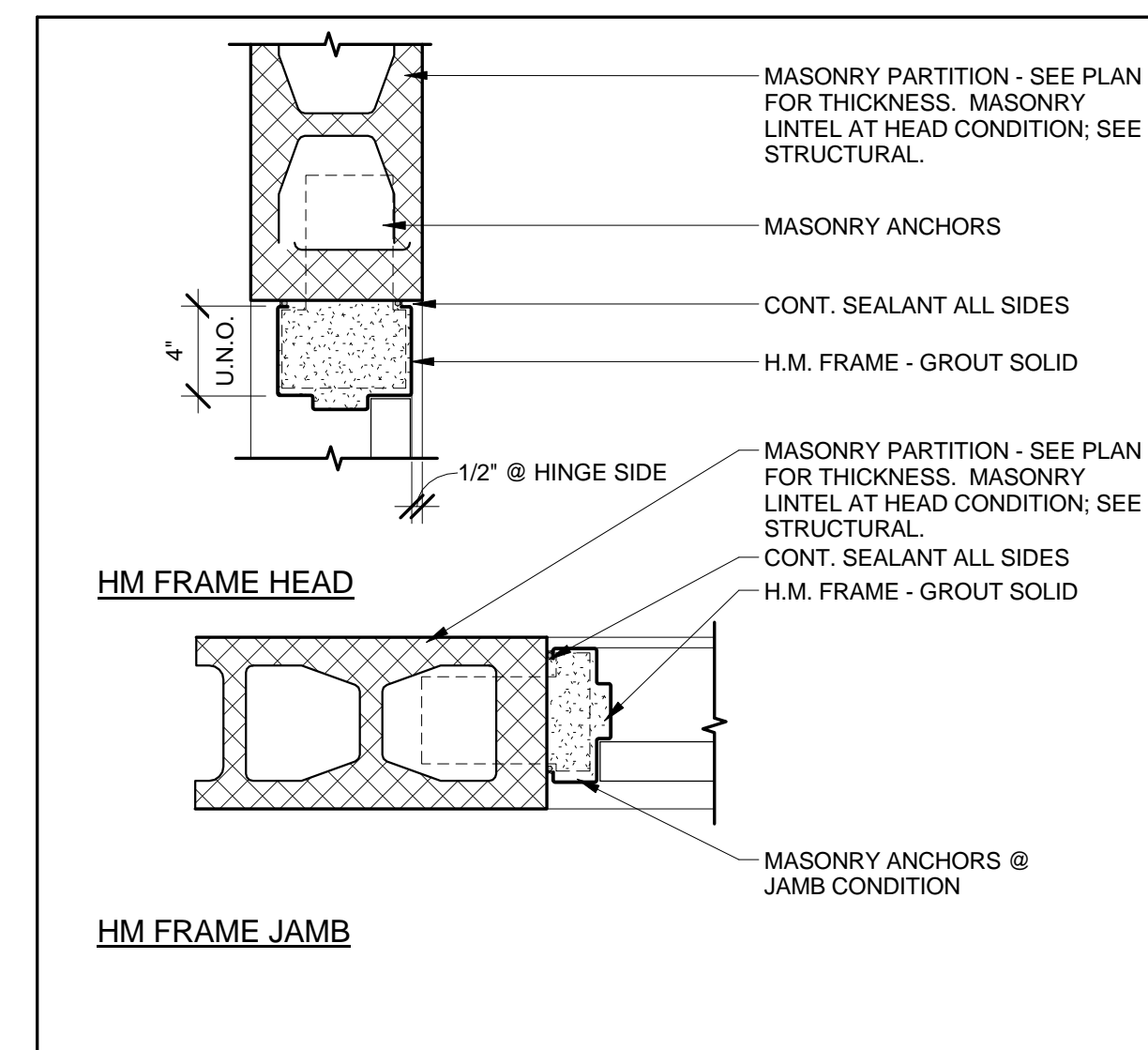
FRAME TYPES
1/4" = 1'-0"



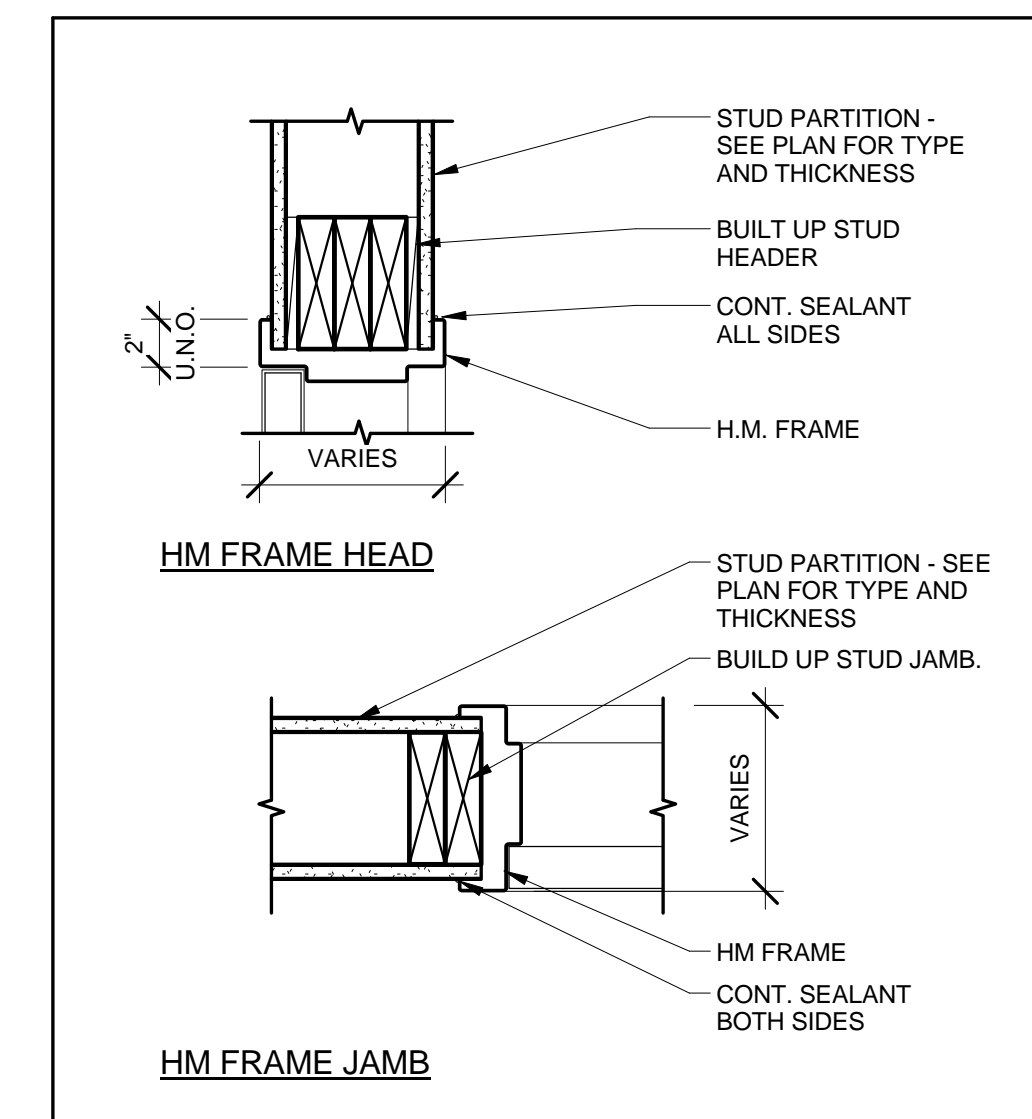
WINDOW TYPES
1/4" = 1'-0"



A3 CURTAIN WALL JAMB & HEAD DETAILS
1 1/2" = 1'-0"



A2 HM FRAME DETAILS @ CMU
1 1/2" = 1'-0"



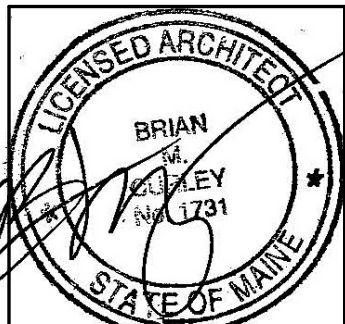
A1 HM FRAME DETAILS @ GWB
1 1/2" = 1'-0"



49 DARTMOUTH STREET
PORTLAND, MAINE 04101
207-775-1059
www.pdtarch.com

COPYRIGHT
PDT Architects
Reuse or reproduction of the contents of this document is not permitted without written permission of PDT Architects.

CUMBERLAND COUNTY FEDERAL CREDIT UNION
1345 Washington Avenue, Portland, ME



JOB NO.
12044

DRWN. Author
CHECK Checker

SCALE:
As indicated

ISSUE
30 August, 2013

TITLE
DOOR & FRAME
SCHEDULE,
DETAILS

SHEET
A600