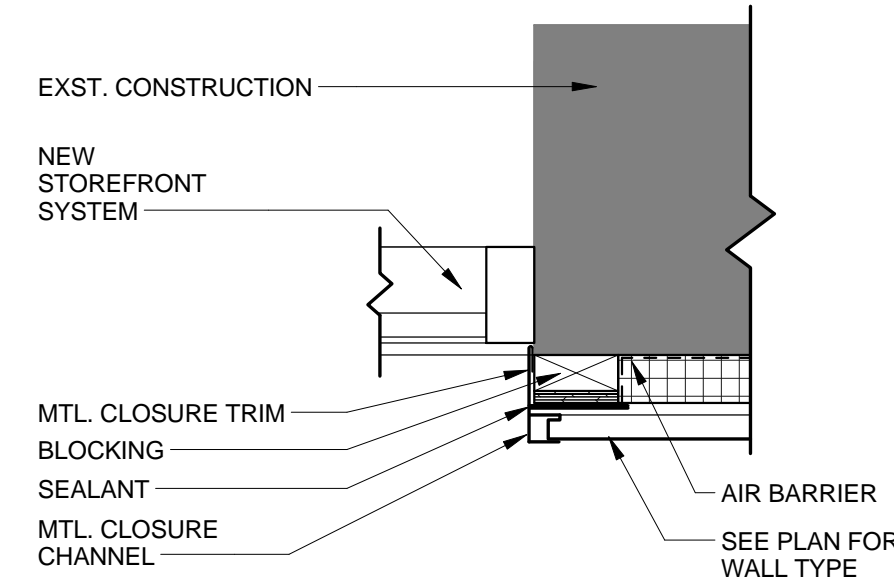
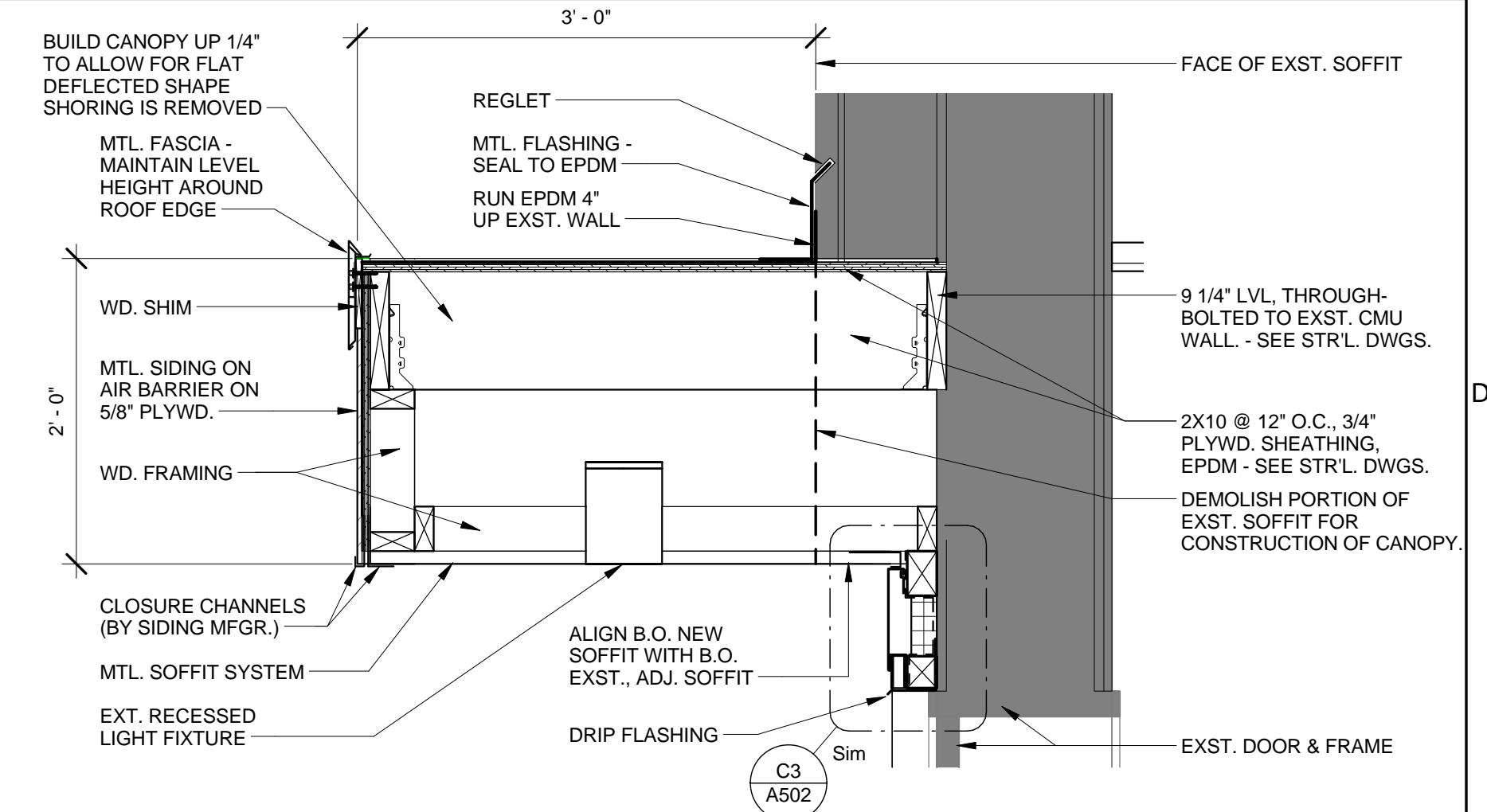


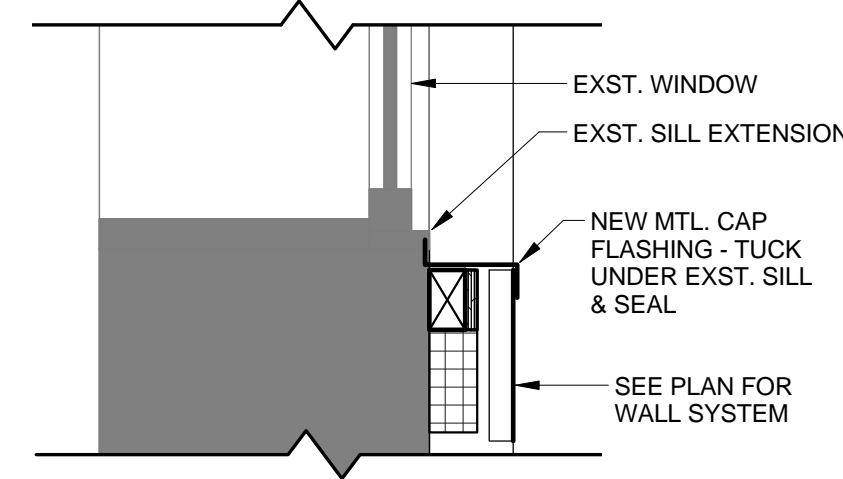
D4 PLAN DETAIL @ INTERIOR STOREFRONT
1 1/2" = 1'-0"



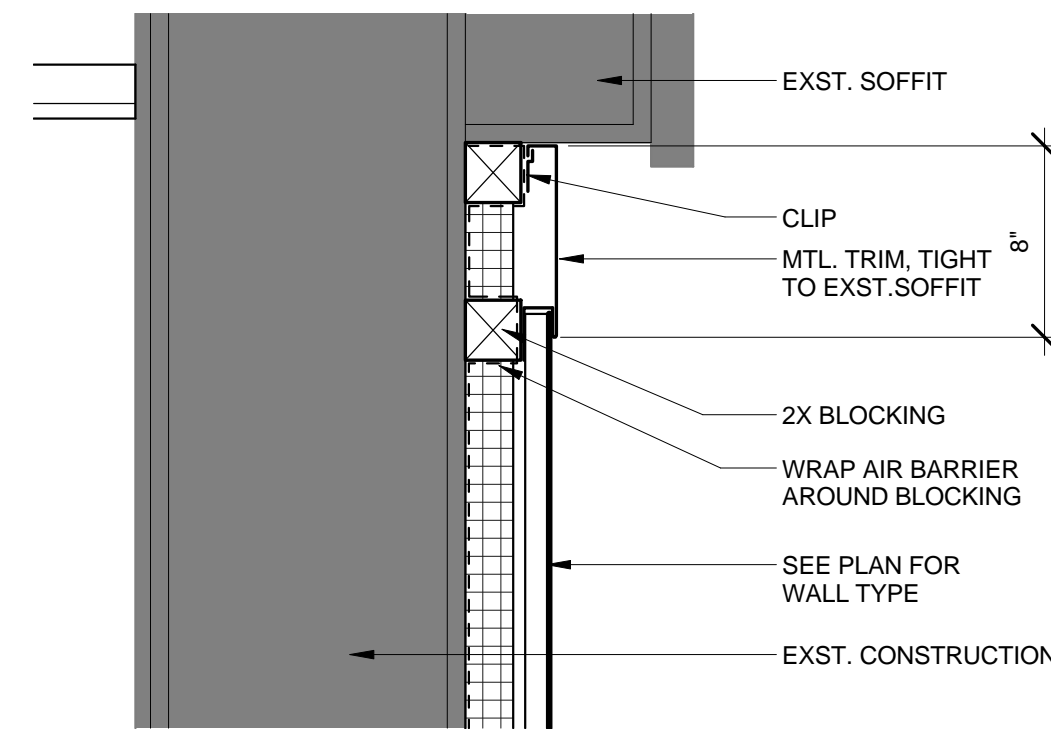
D3 PLAN DETAIL @ EXT. WALL - TYP.
1 1/2" = 1'-0"



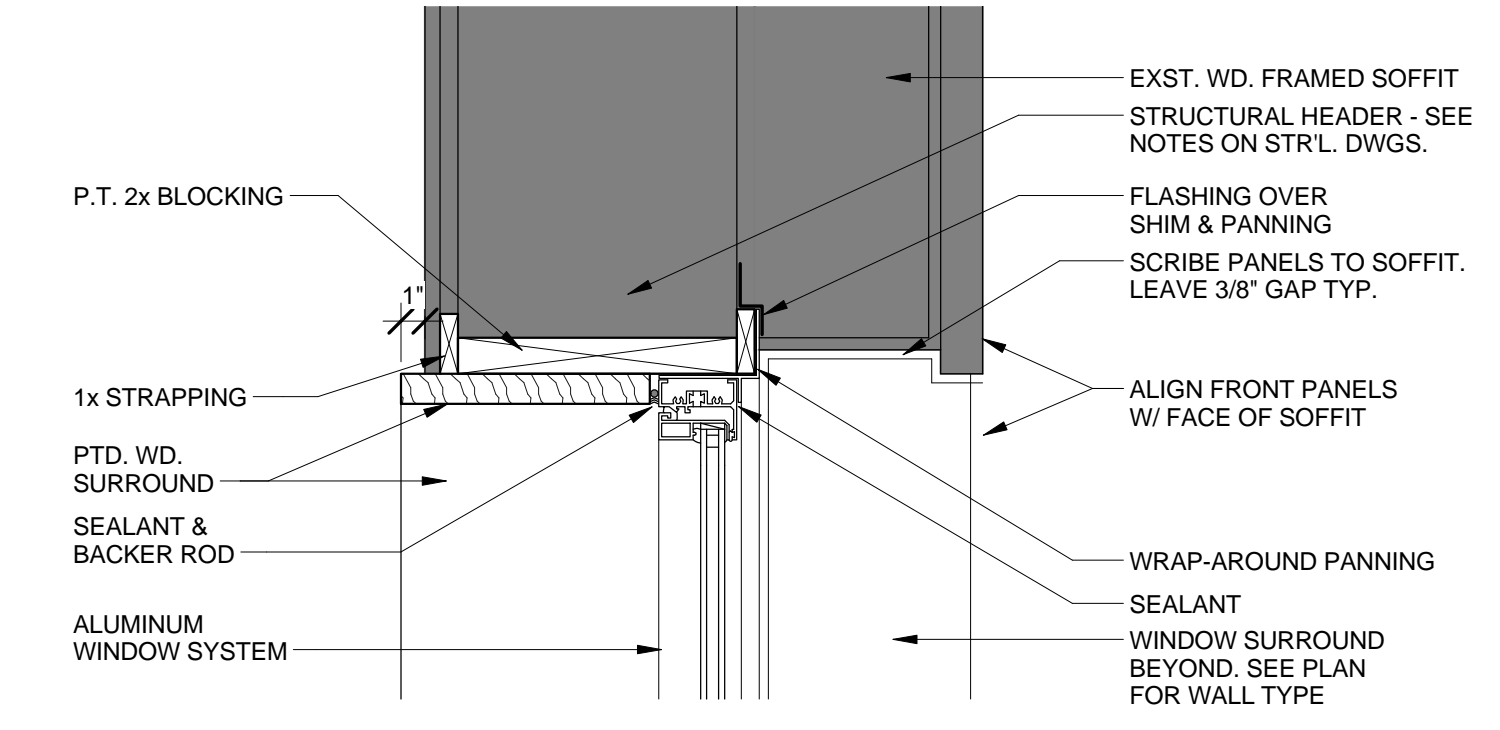
D2 SECTION @ REAR CANOPY
1" = 1'-0"



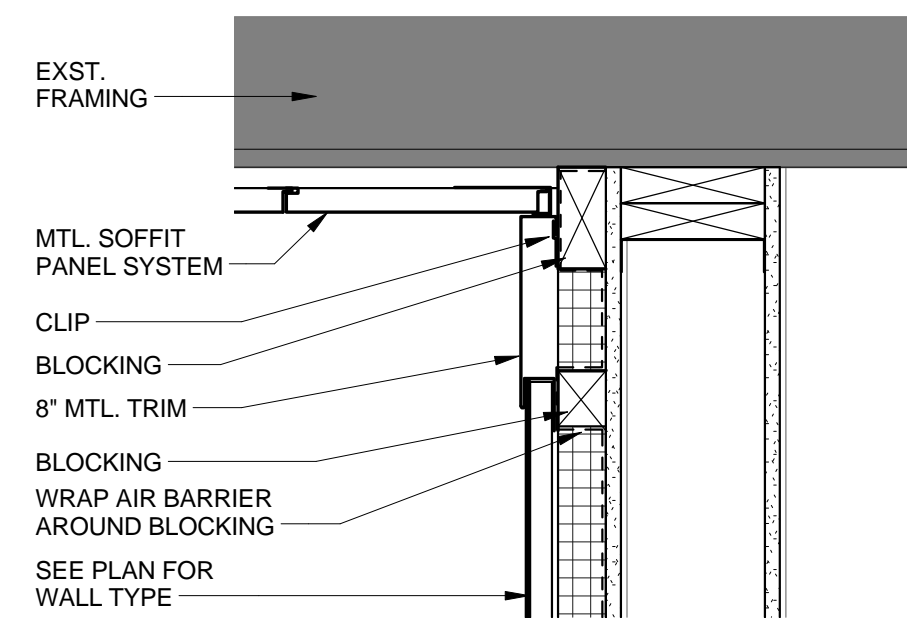
C4 EXST. WINDOW SILL @ MTL. SIDING
1 1/2" = 1'-0"



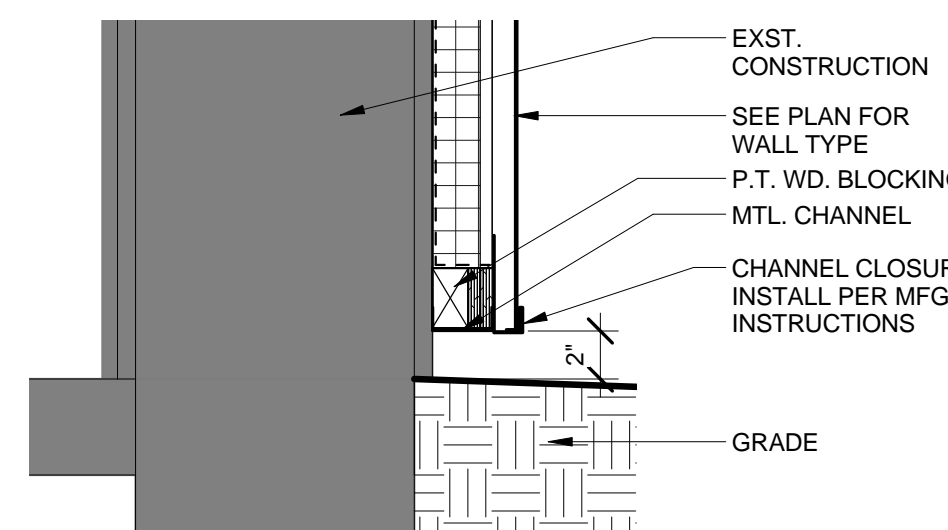
C3 TOP OF METAL PANEL WALL
1 1/2" = 1'-0"



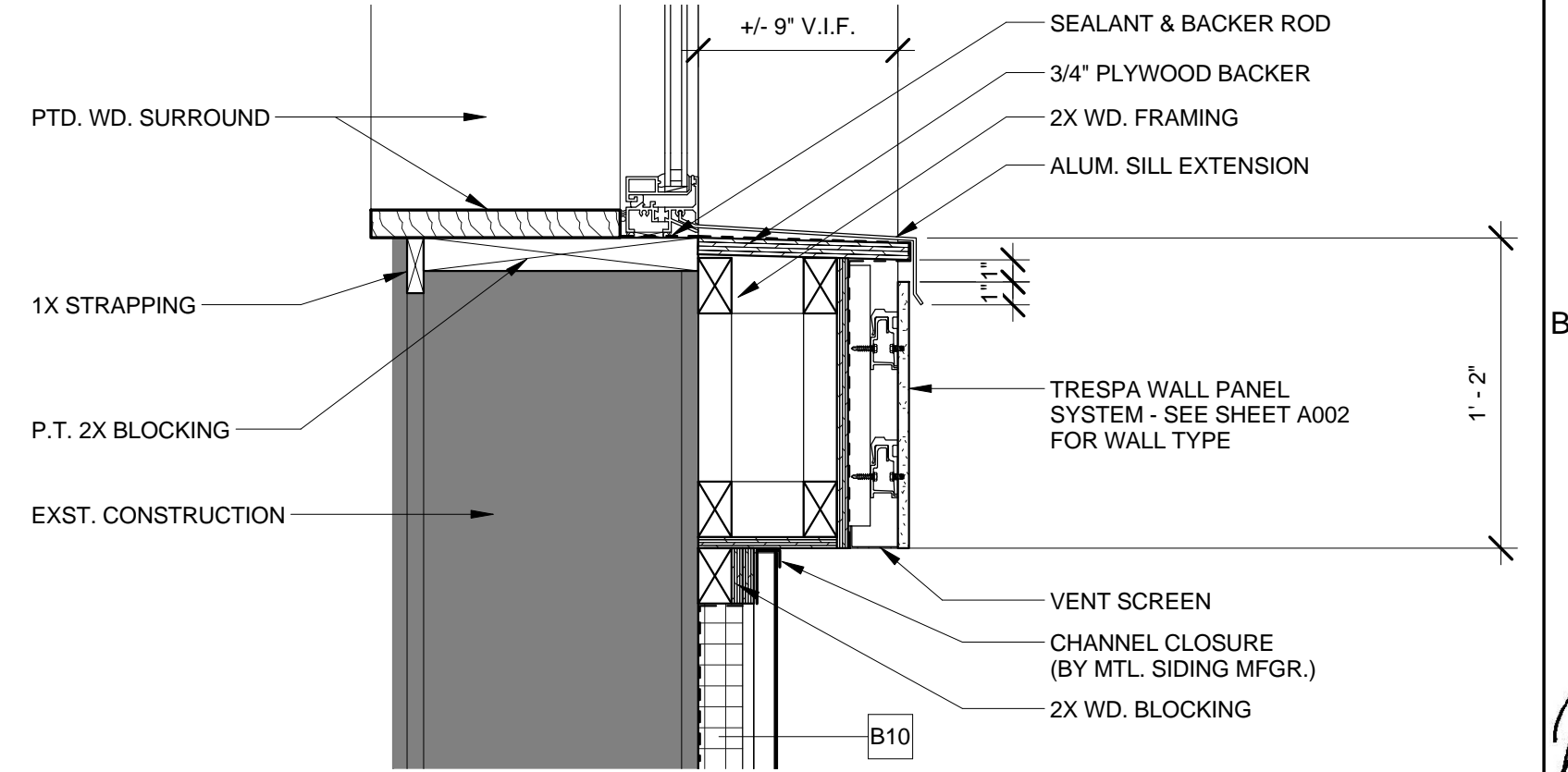
C2 HEAD @ WINDOW SURROUND
1 1/2" = 1'-0"



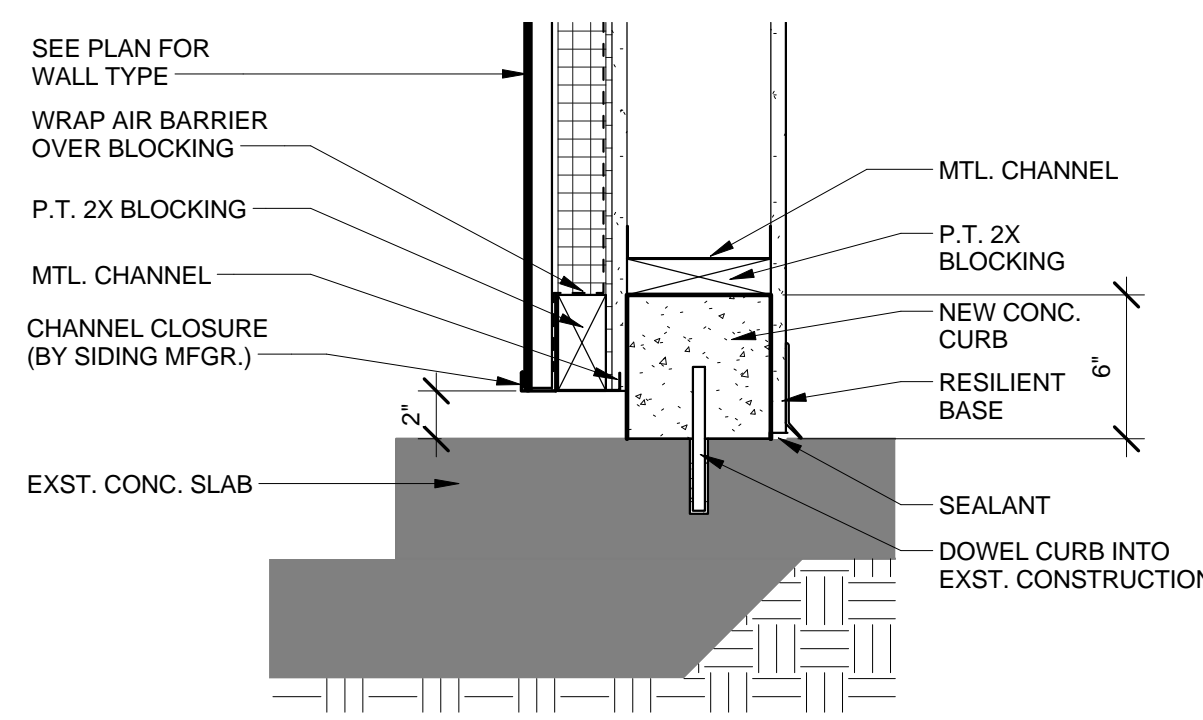
B4 CEILING @ NIGHT DROP OFF
1 1/2" = 1'-0"



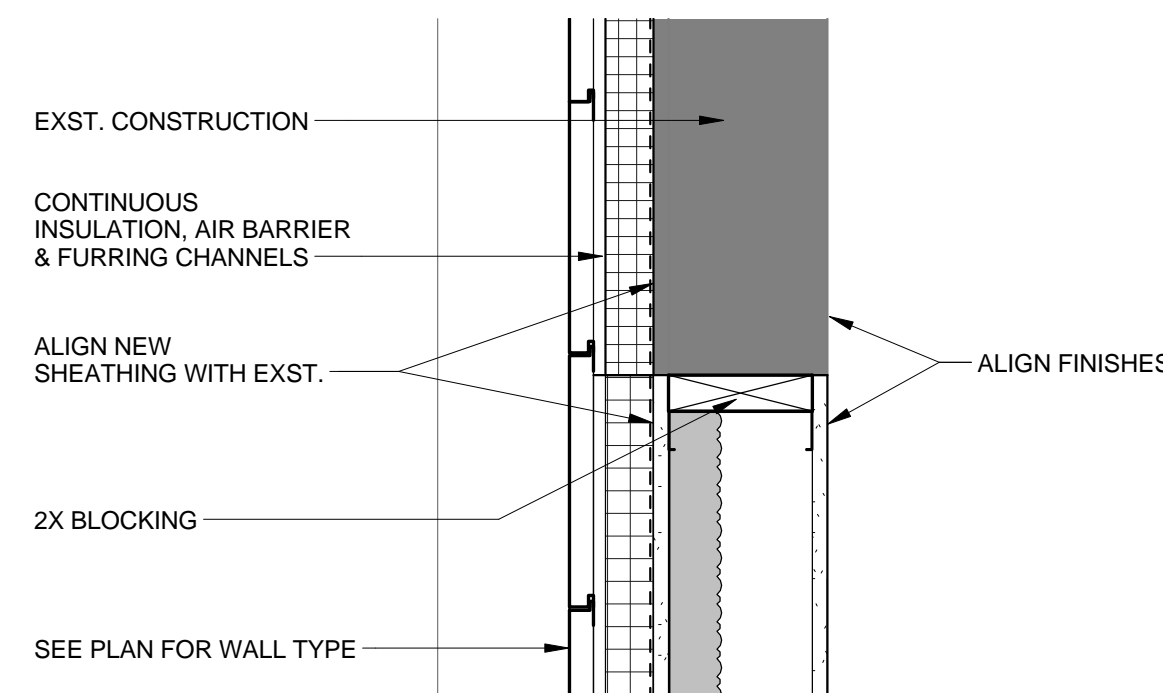
B3 BOTTOM OF METAL PANEL WALL
1 1/2" = 1'-0"



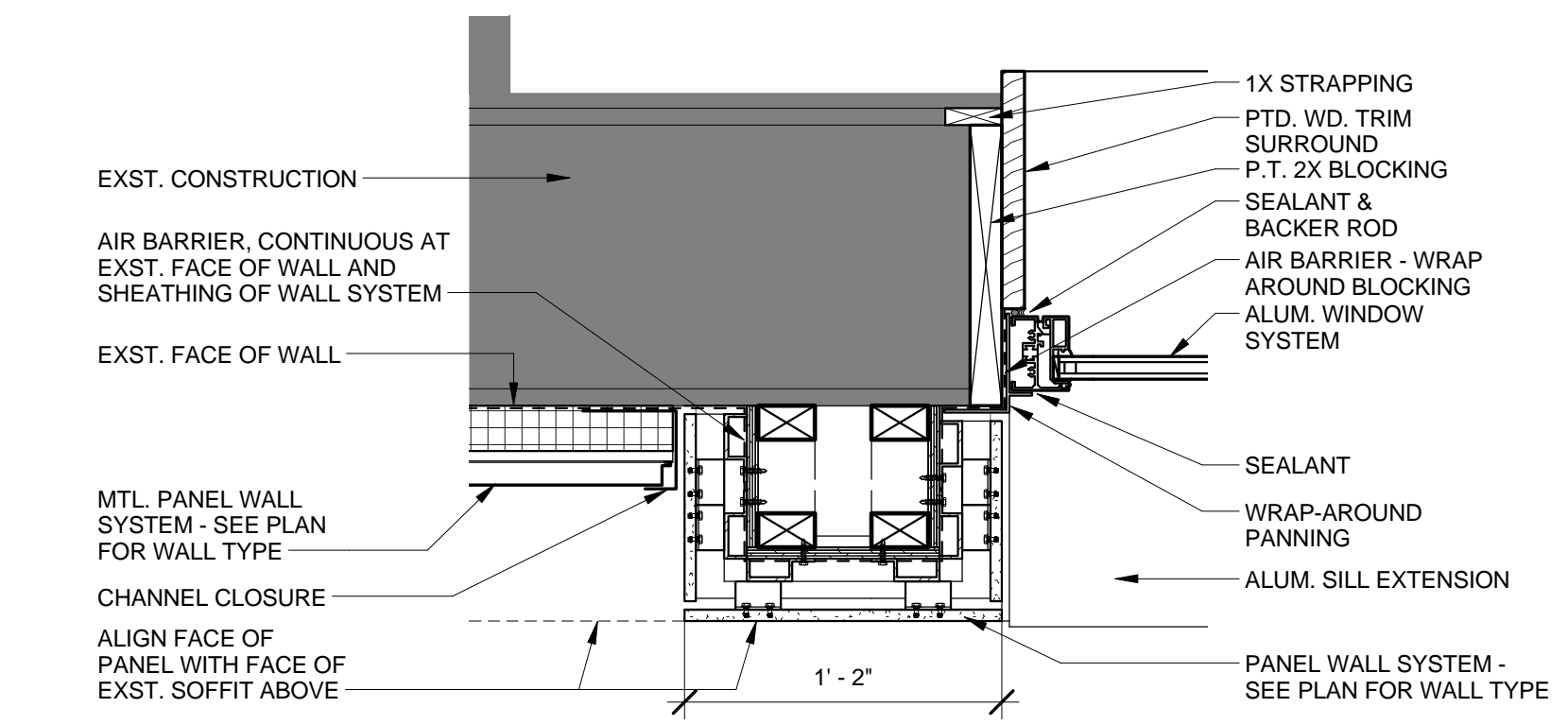
B2 SILL @ WINDOW SURROUND
1 1/2" = 1'-0"



A4 BOTTOM OF WALL @ NIGHT DROP OFF
1 1/2" = 1'-0"



A3 PLAN DETAIL - NEW ATM WALL
1 1/2" = 1'-0"



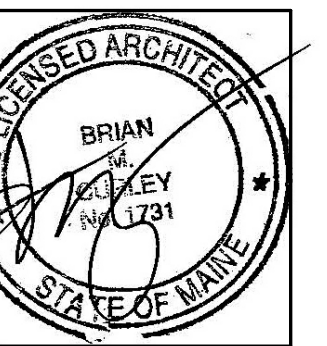
A2 PLAN DETAIL - WINDOW AT MEETING ROOM
1 1/2" = 1'-0"



49 DARTMOUTH STREET
PORTLAND, MAINE 04101
207-775-1059
www.pdtarchs.com

COPYRIGHT
PDT Architects
Reuse or reproduction of the
contents of this document is not
permitted without written
permission of PDT Architects.

CUMBERLAND COUNTY FEDERAL CREDIT UNION
1345 Washington Avenue, Portland, ME



JOB NO.
12044

DRWN. Author
CHECK Checker

SCALE:
As indicated

ISSUE
30 August, 2013

TITLE
DETAILS

SHEET
A502