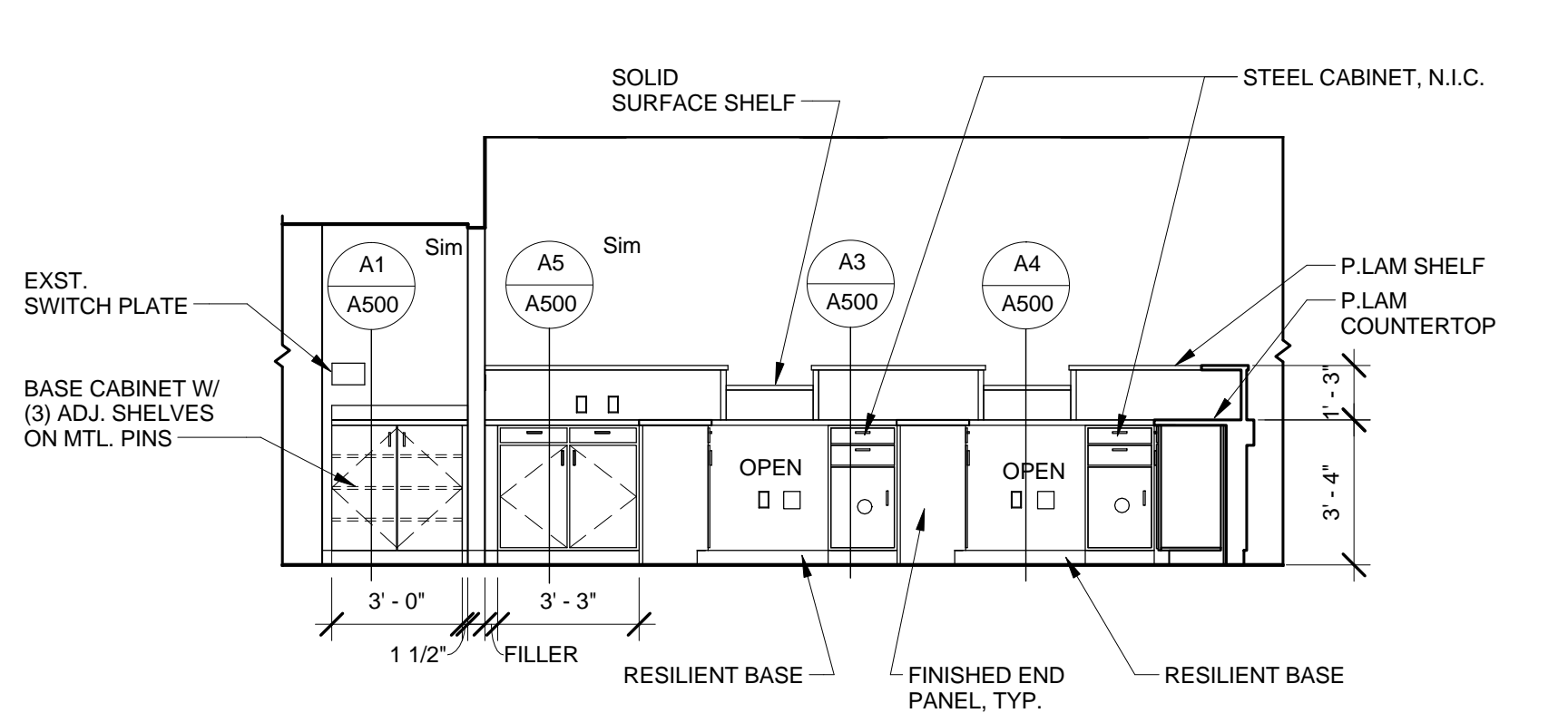
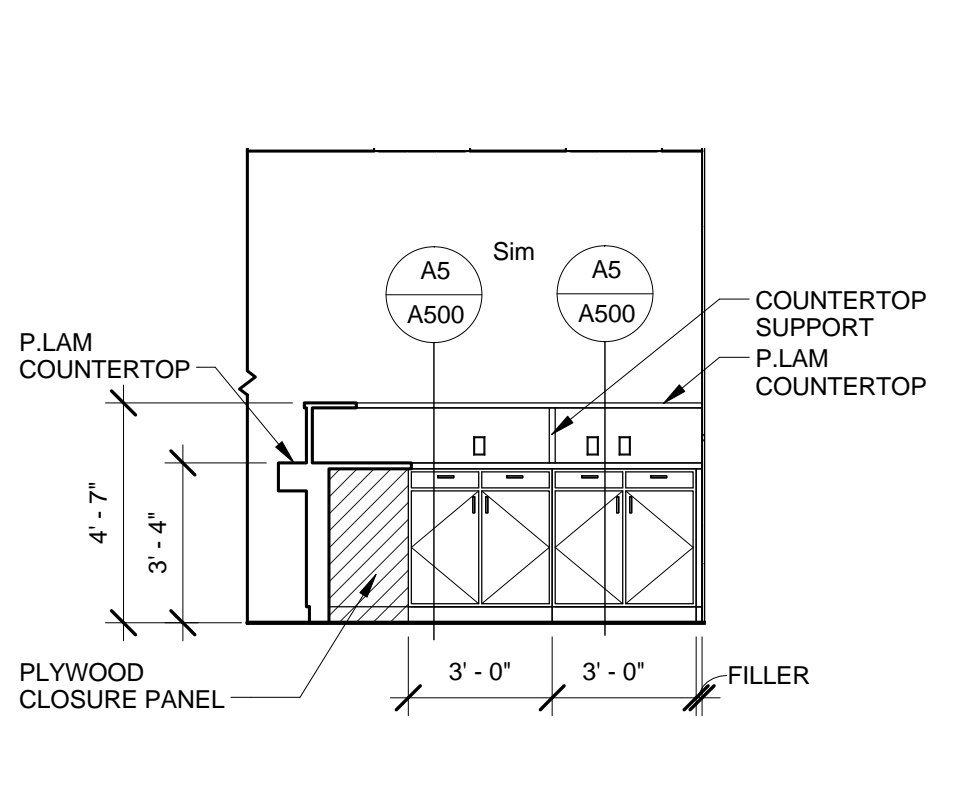


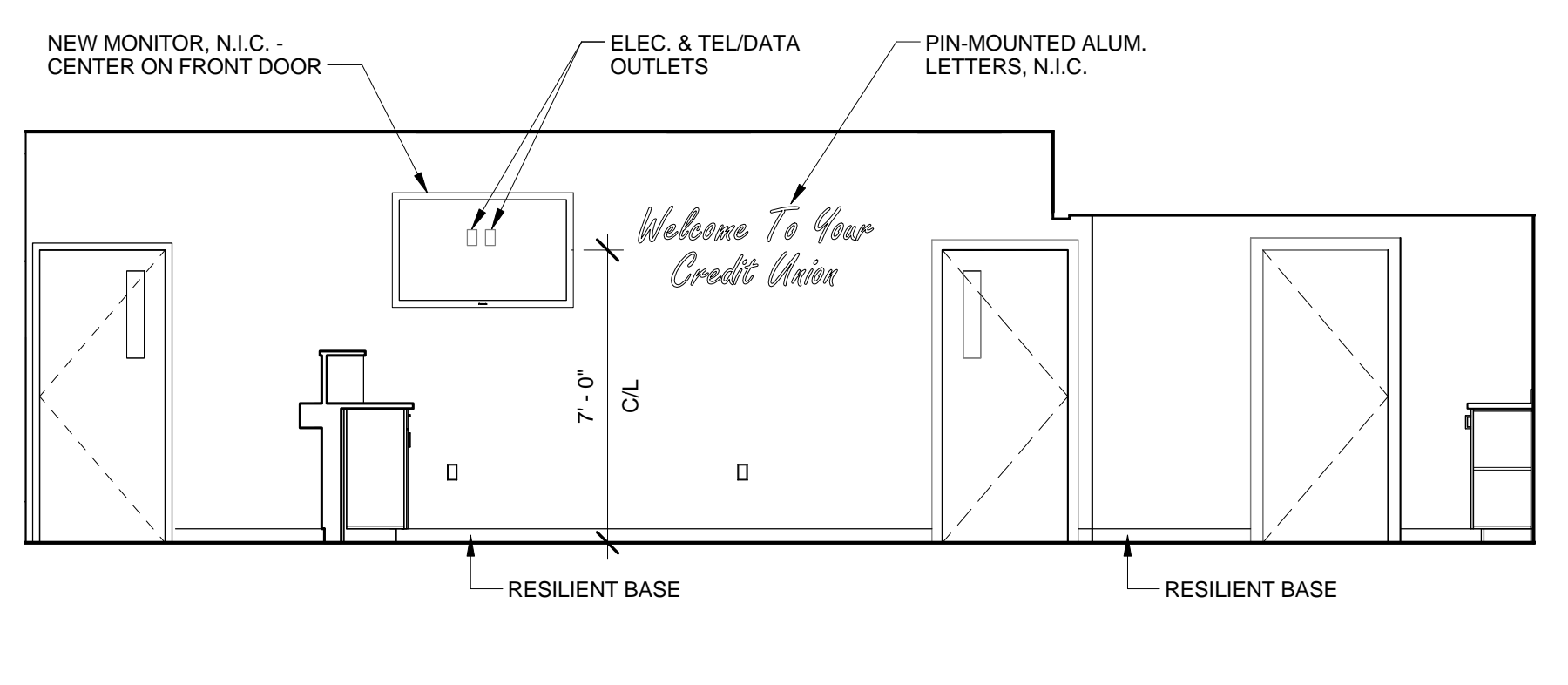
D5 DETAIL @ BROCHURE CUBBY
1 1/2" = 1'-0"



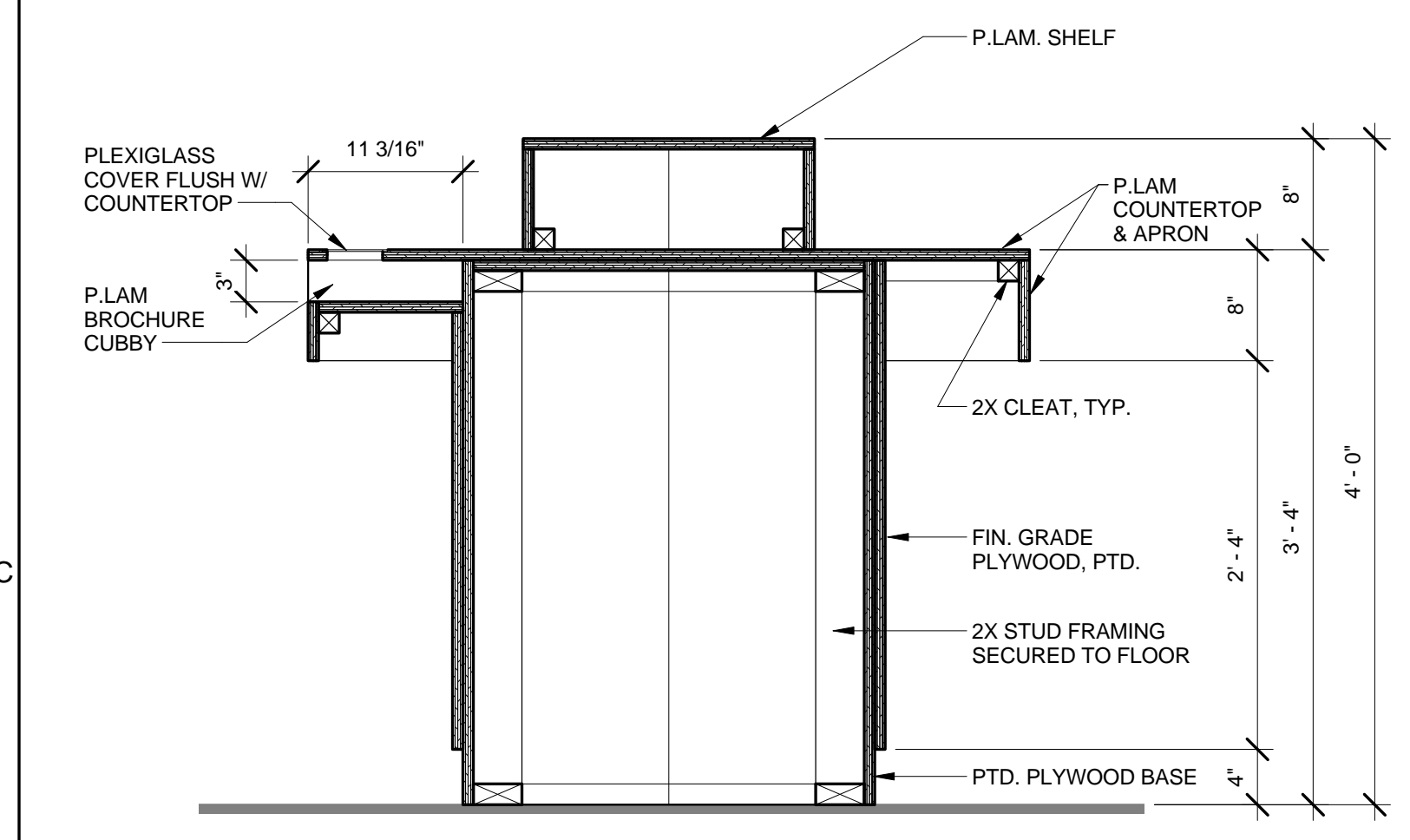
D4 TELLER 117A - SOUTH
1/4" = 1'-0"



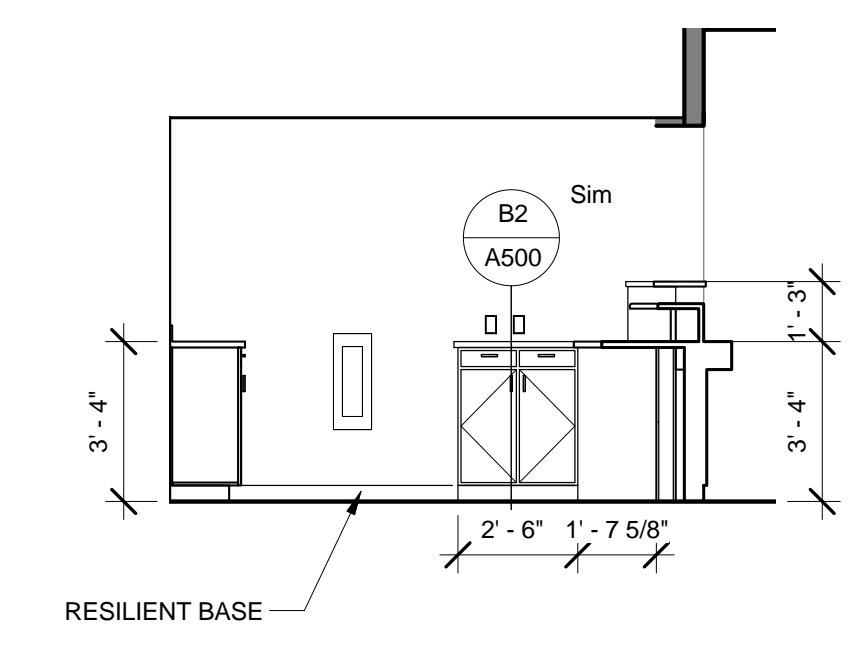
D3 TELLER 117A - WEST
1/4" = 1'-0"



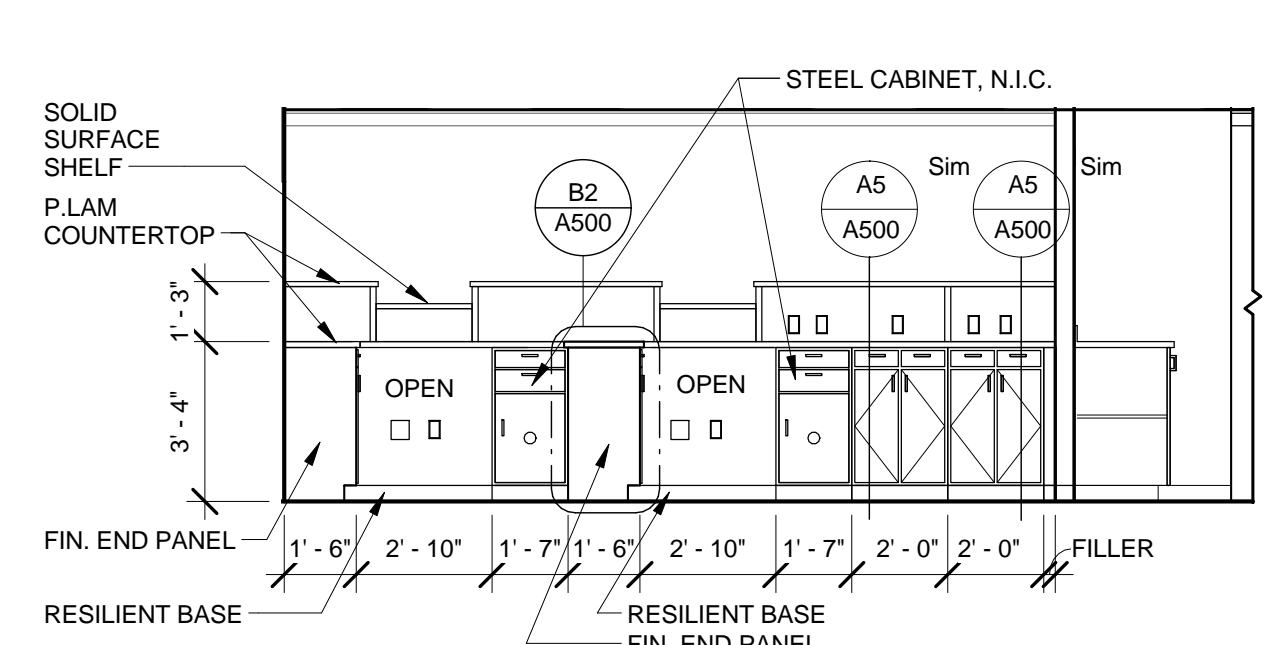
D2 TELLER 117A - NORTH
1/4" = 1'-0"



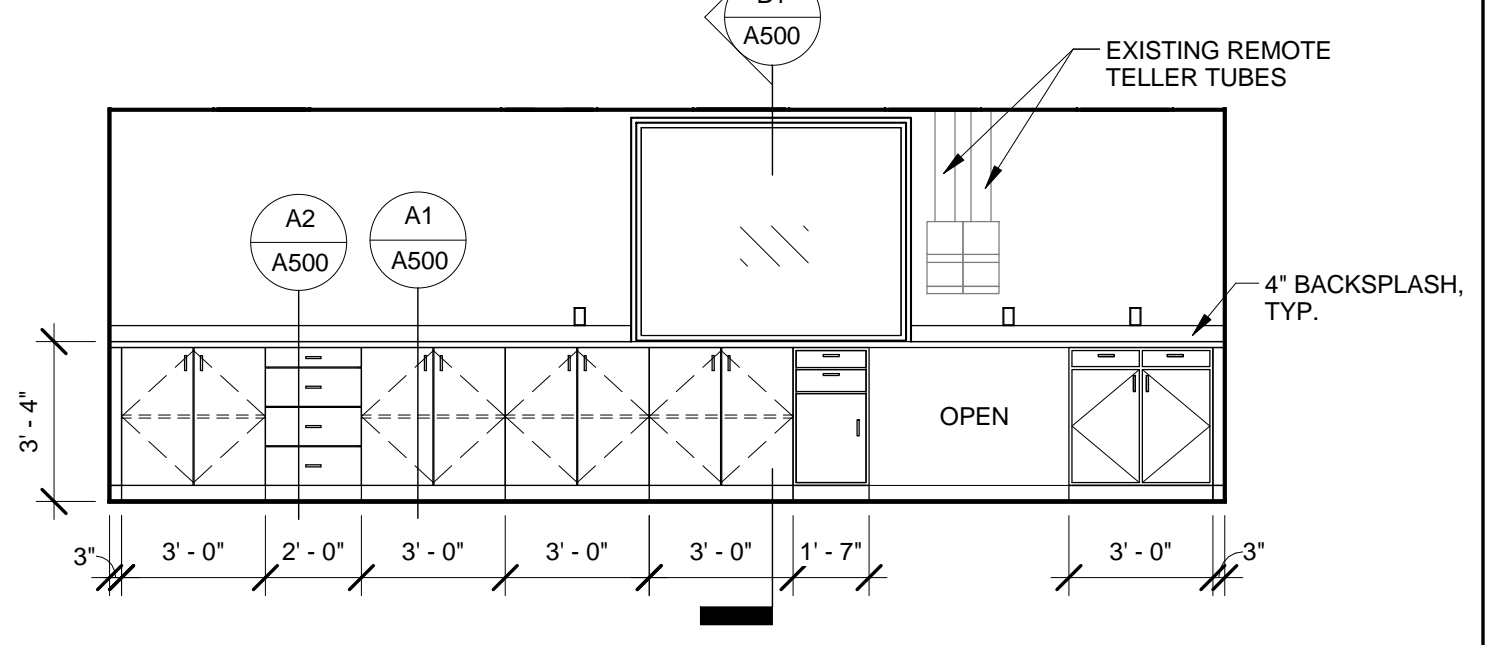
C5 SECTION @ CHECK WRITING STAND
1" = 1'-0"



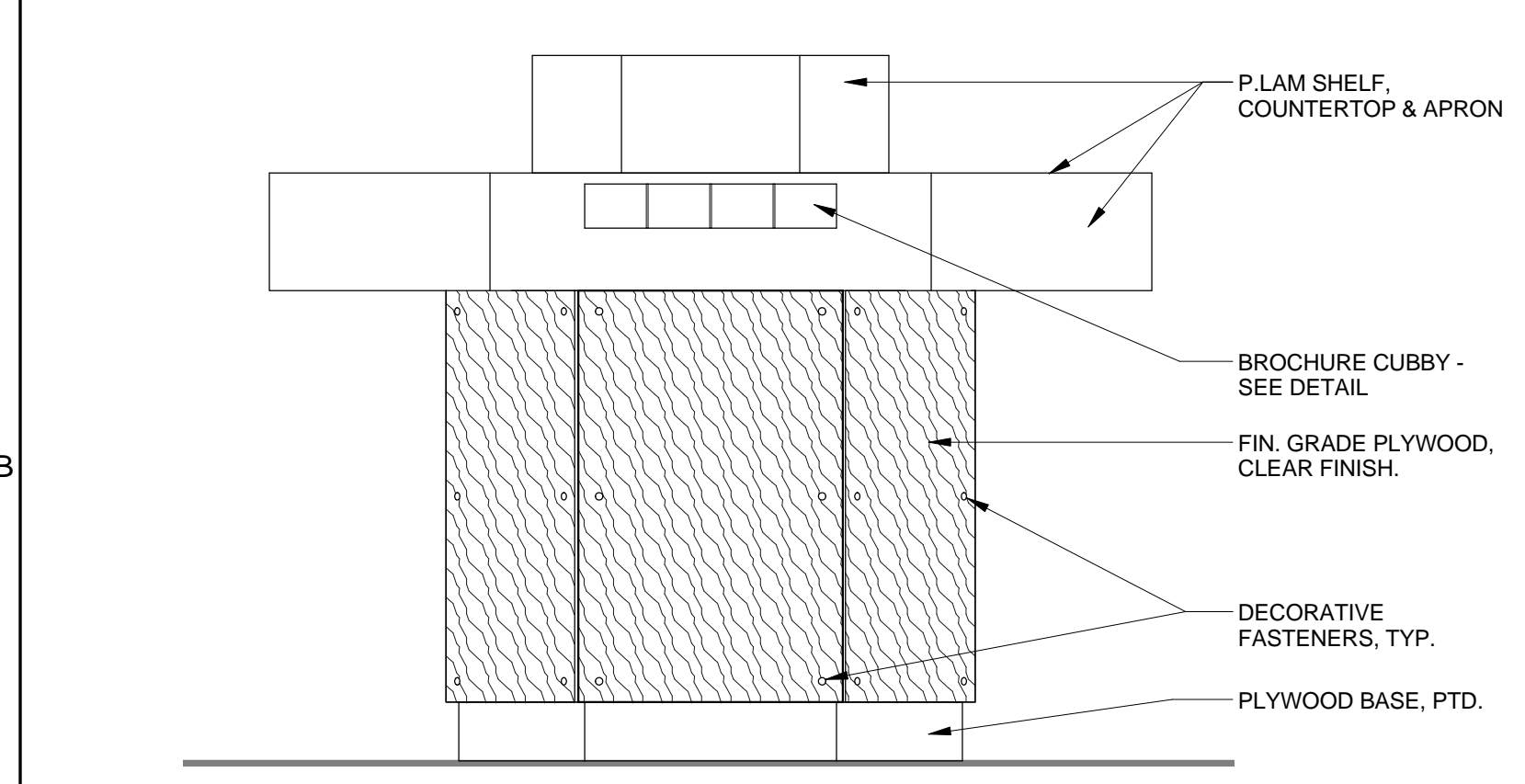
C4 TELLER 117B - SOUTH
1/4" = 1'-0"



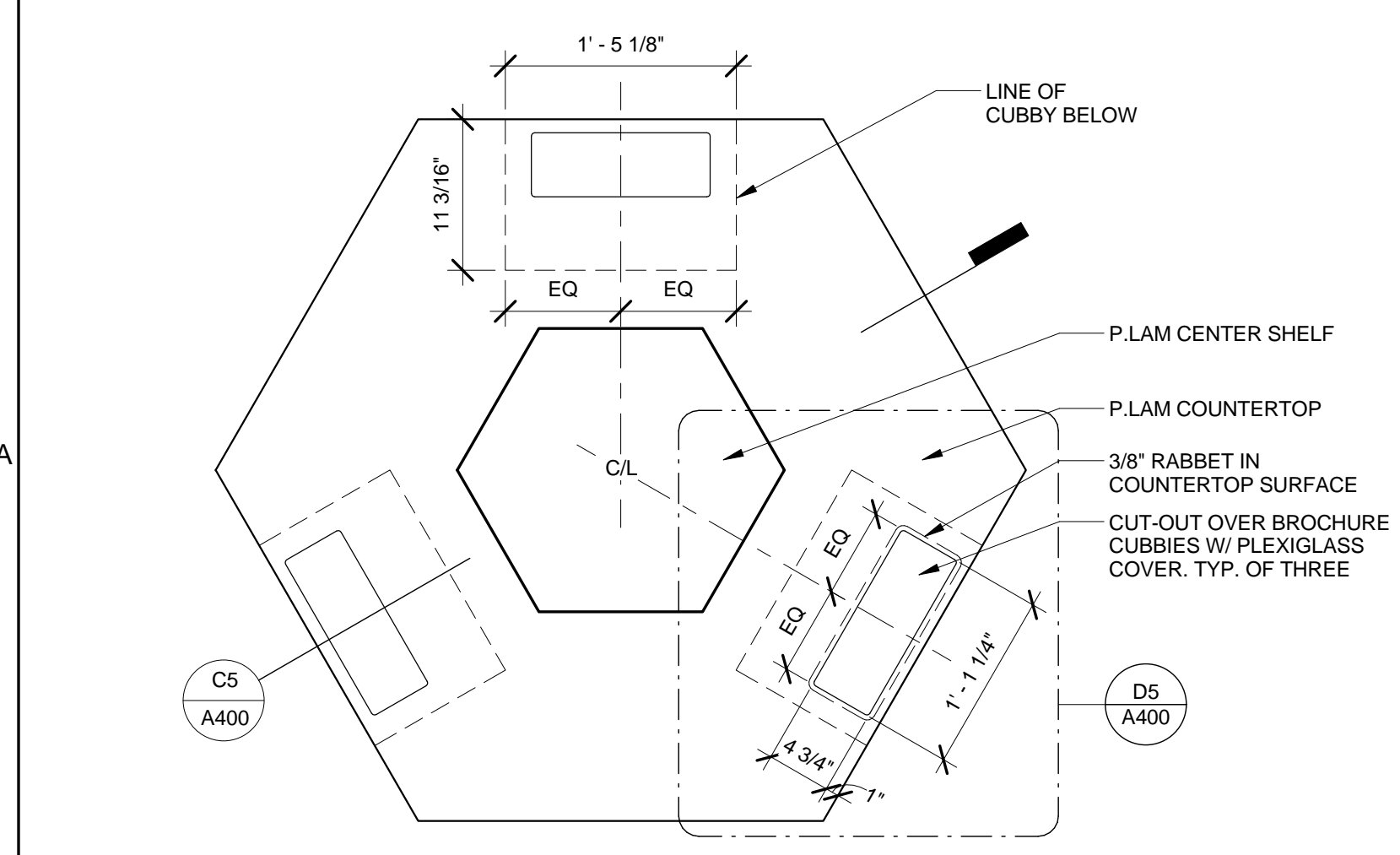
C3 TELLER 117B - WEST
1/4" = 1'-0"



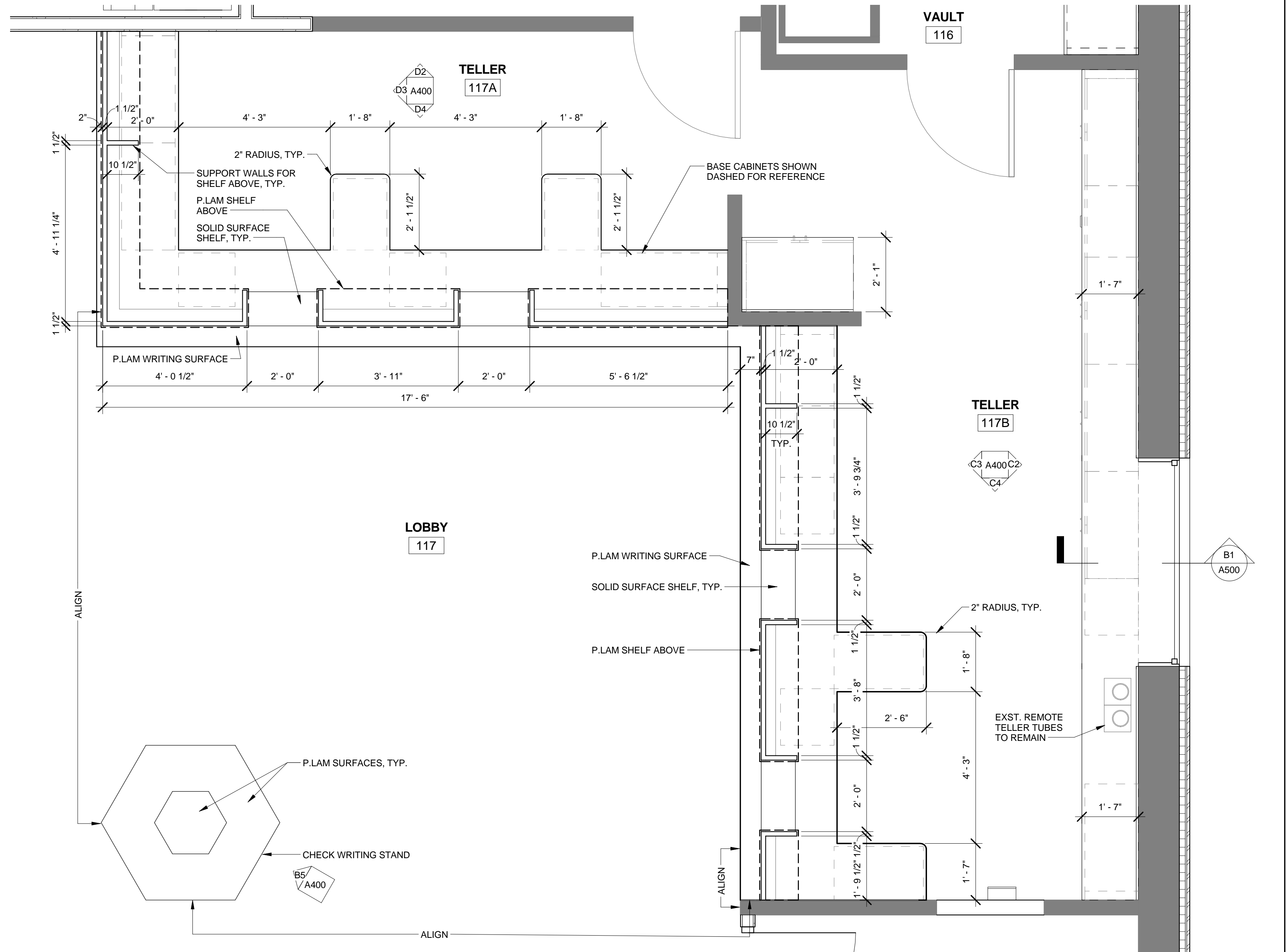
C2 TELLER 117B - EAST
1/4" = 1'-0"



B5 TYP. ELEVATION - CHECK WRITING STAND
1" = 1'-0"



A5 ENLARGED PLAN - CHECK WRITING STAND
1" = 1'-0"



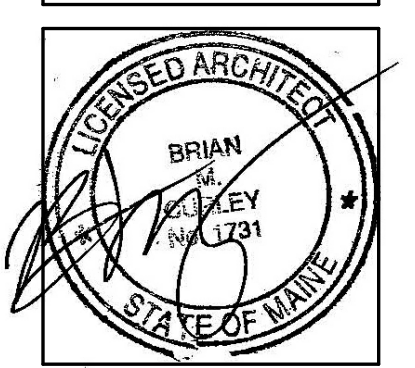
A3 ENLARGED PLAN - TELLER 117
1/2" = 1'-0"



49 DARTMOUTH STREET
PORTLAND, MAINE 04101
207-775-1059
www.pdtarch.com

COPYRIGHT
PDT Architects
Reuse or reproduction of
the contents of this document is not
permitted without written
permission of PDT Architects.

CUMBERLAND COUNTY FEDERAL CREDIT UNION
1345 Washington Avenue, Portland, ME



JOB NO.
12044

DRWN. Author
CHECK Checker

SCALE:
As indicated

ISSUE
30 August, 2013

TITLE
ENLARGED TELLER AREA
PLANS

SHEET
A400