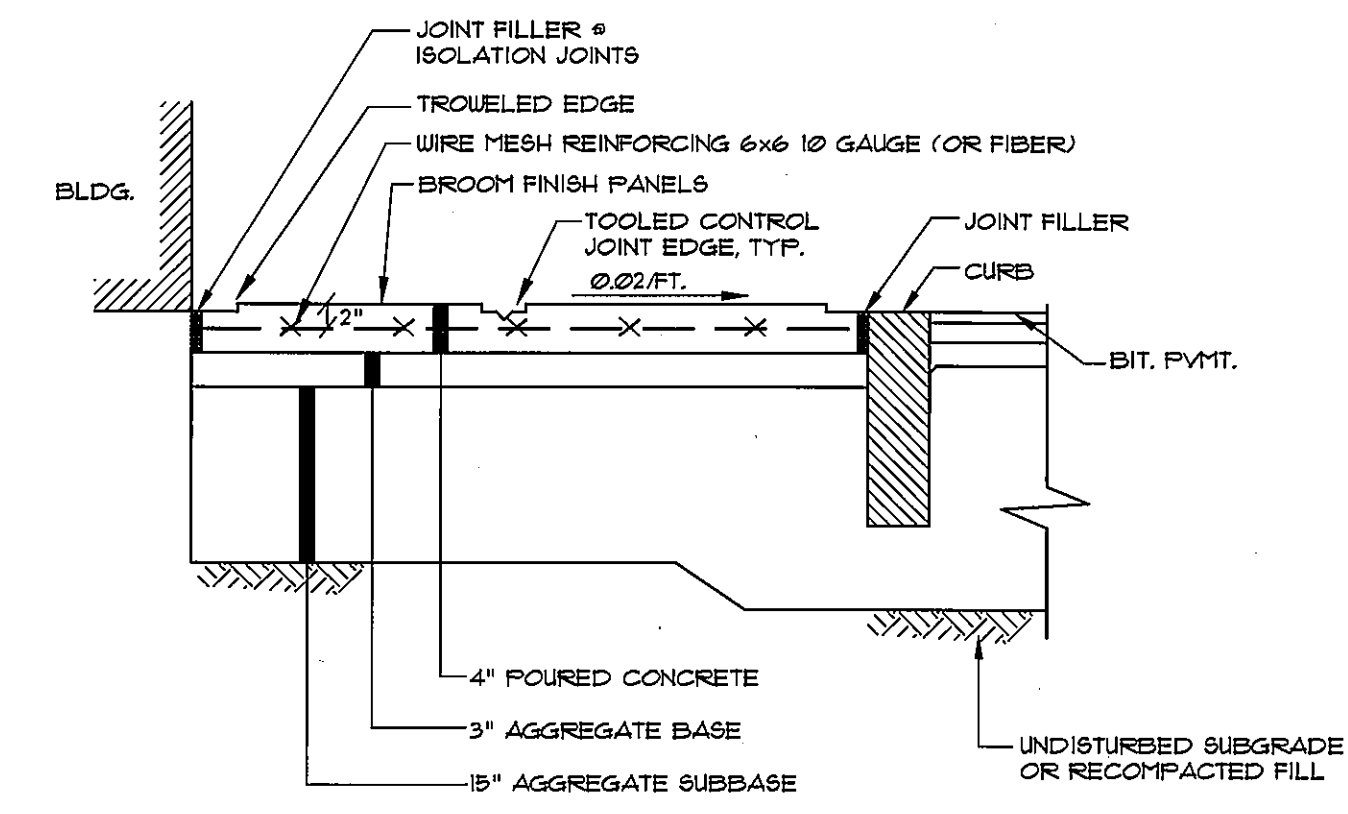
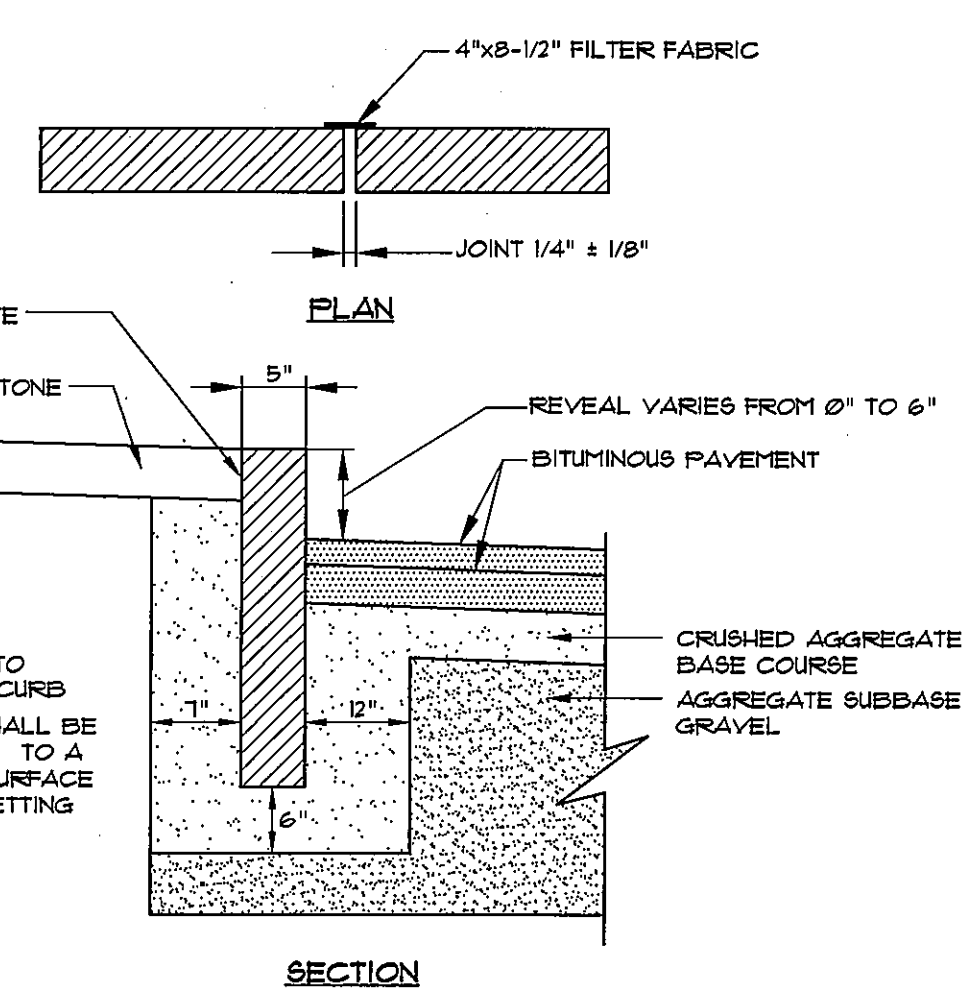


TYPICAL PAVEMENT JOINT
NOT TO SCALE



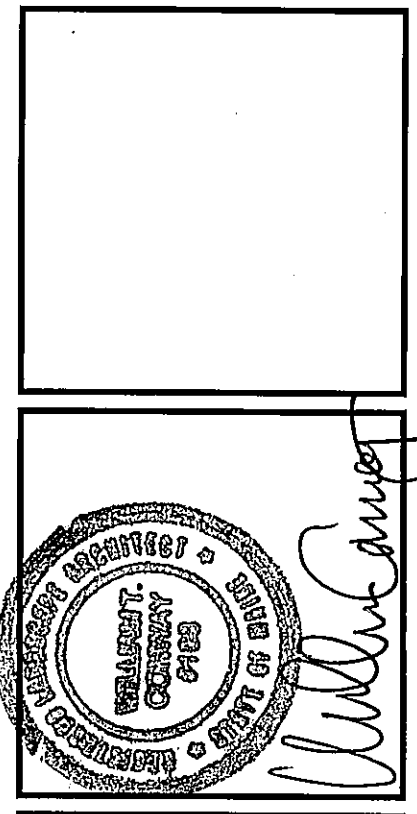
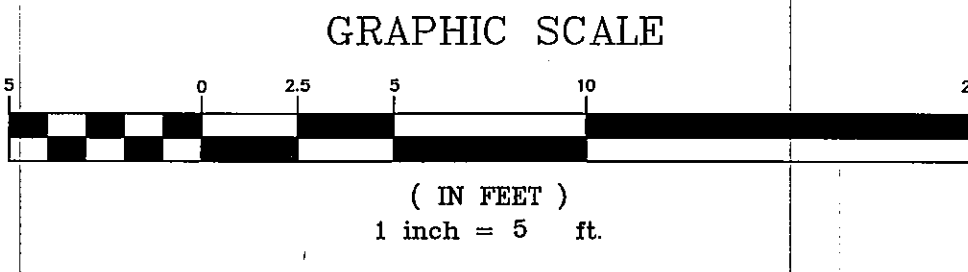
CONCRETE PAVING
NOT TO SCALE



VERTICAL GRANITE CURB
NOT TO SCALE

LEGEND

EXISTING	DESCRIPTION	PROPOSED
	BUILDING	
	EDGE PAVEMENT	
	EDGE CONCRETE	
	PAVEMENT PAINT	
	CURBLINE	
	CONTOURS	
	SPOT GRADE	
	DECIDUOUS TREE	
	CONIFEROUS TREE	
	OVERHEAD UTILITY	



DATE	SCALE
DATE	1"=5'

SEBAGO TECHNICALS
WWW.SEBAGOTECHNICALS.COM
75 John Roberts Rd. - Suite 1A - 290 Goddard Rd. - Suite B
South Portland, ME 04106 Lewiston, ME 04240
Tel. 207-202-2100 Tel. 207-763-6566

PROJECT NO. | FIELD BOOK | DESIGN | CHDK | DRAWN | JAR
121015 | | | | WTC | WTC |

SITE PLAN
OF
CUMBERLAND COUNTY FEDERAL CREDIT UNION
1345 WASHINGTON AVENUE
PORTLAND, MAINE

FOR
CUMBERLAND COUNTY FEDERAL CREDIT UNION
101 GRAY ROAD
FALMOUTH, MAINE 04105

121015.dwg, TAB: 121015-5 SCALE