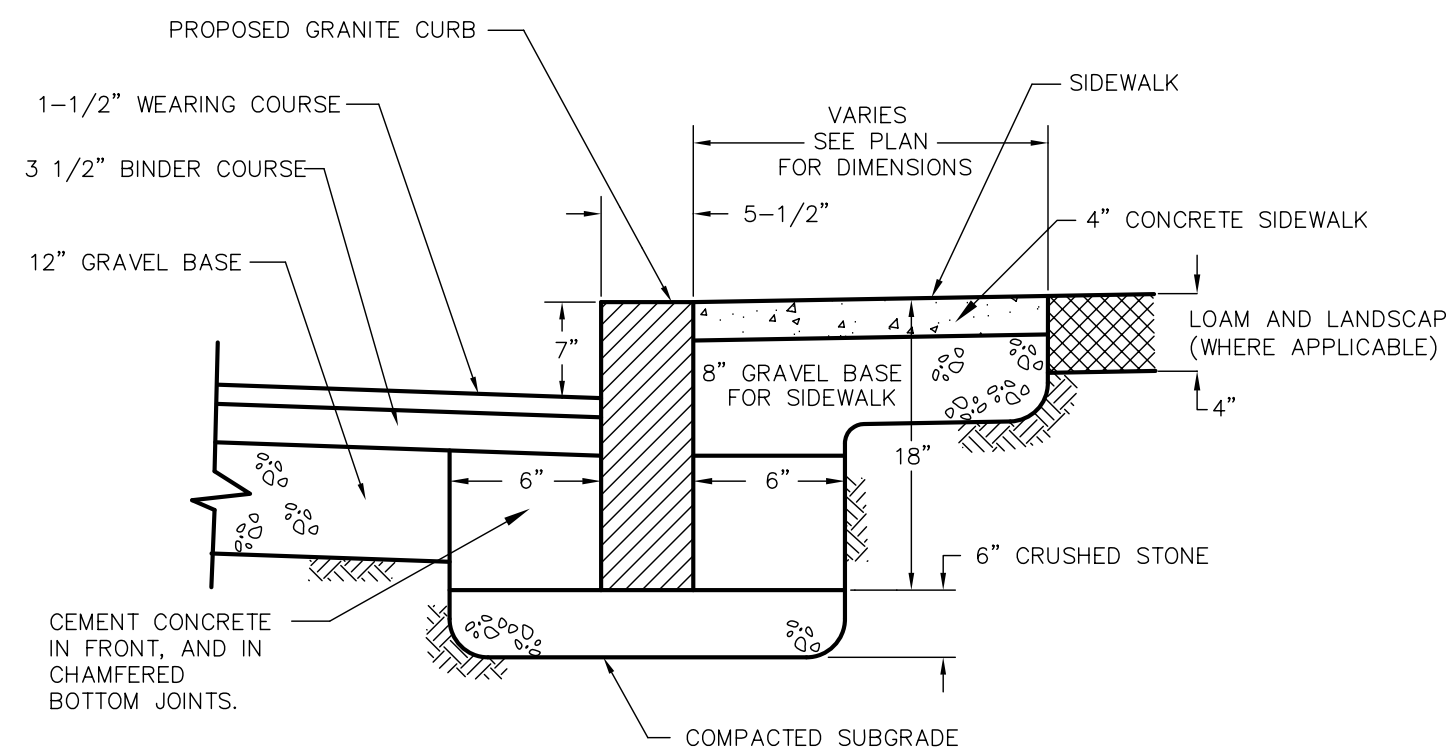
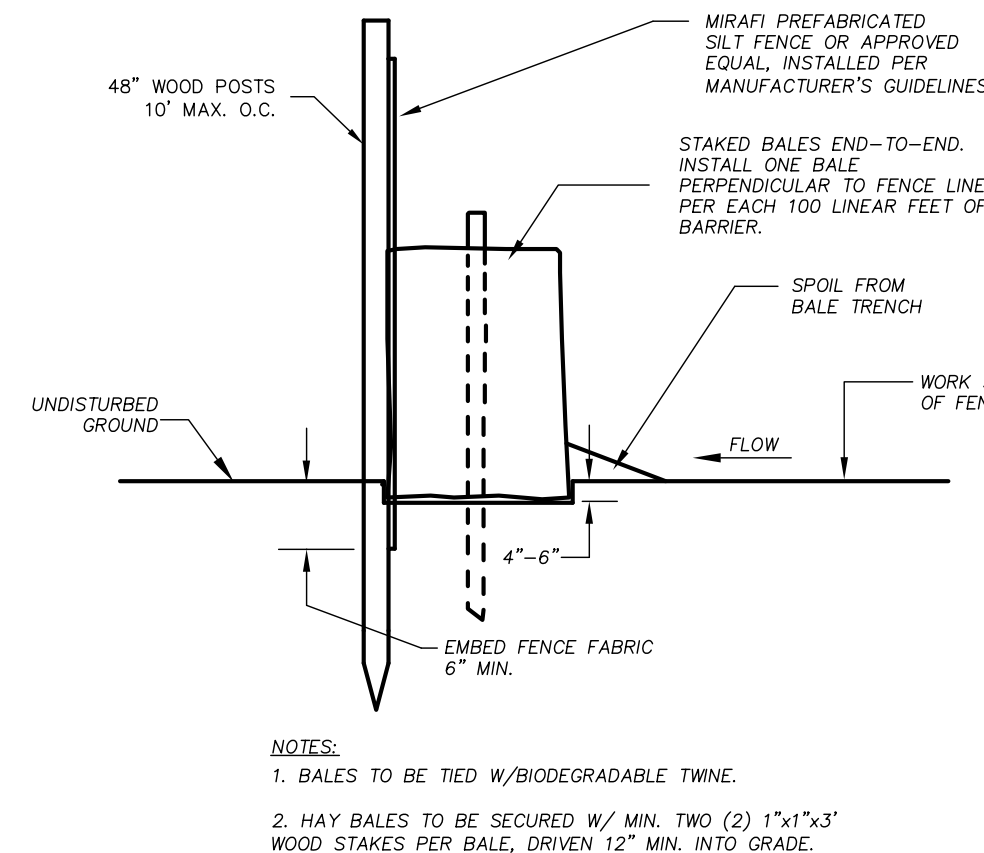


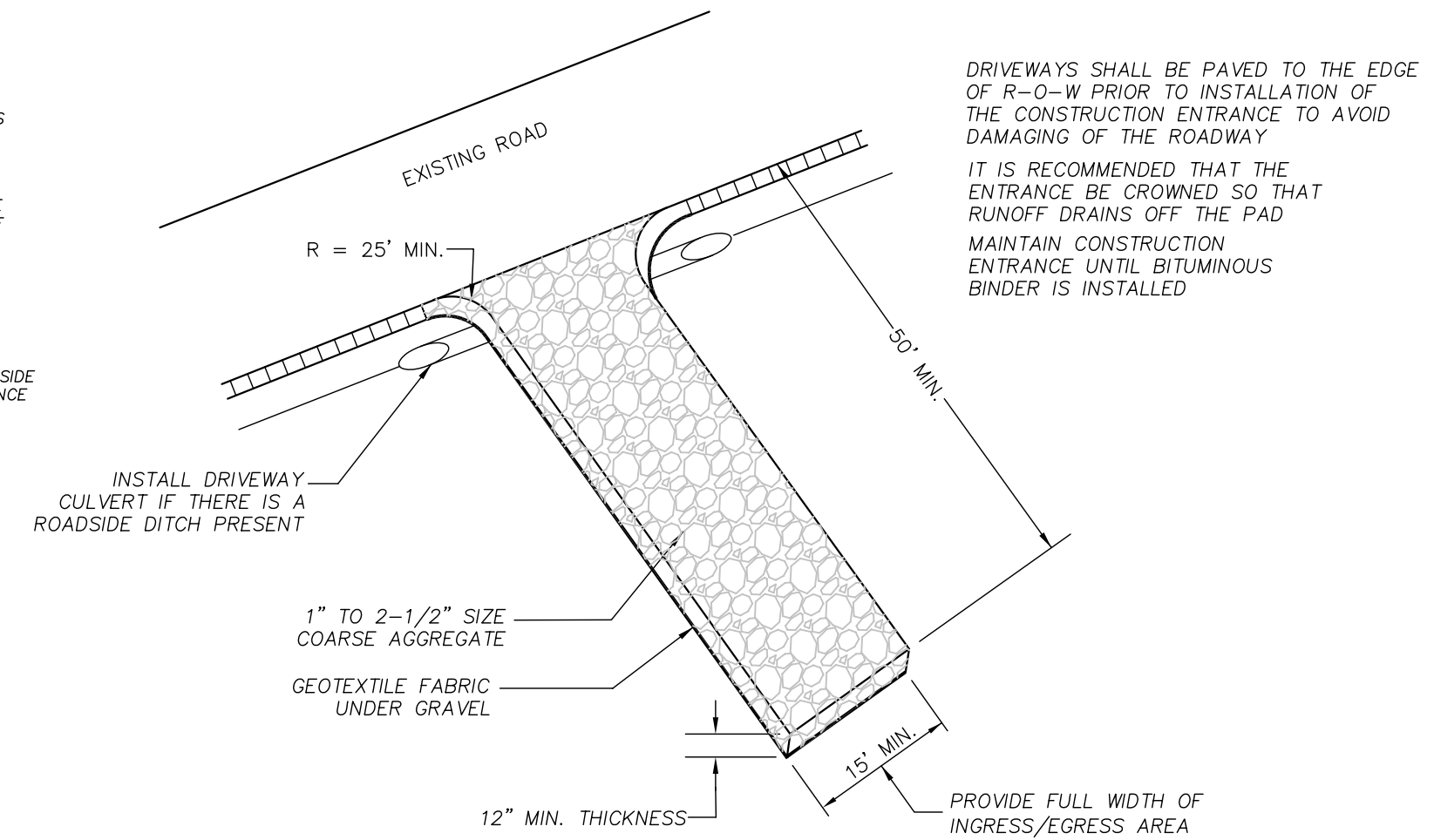
**1 SECTION - TYPICAL CURB**  
D-1 N.T.S.



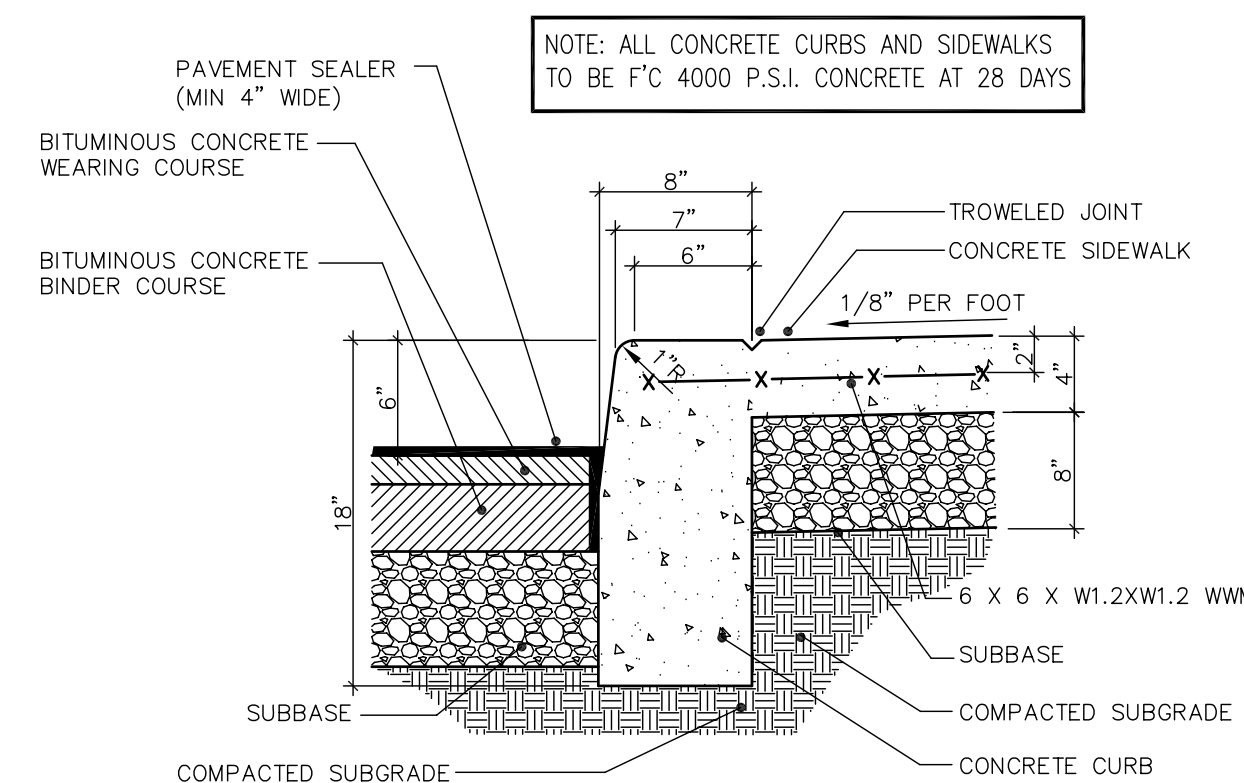
**2 GRANITE CURB**  
D-1 N.T.S.



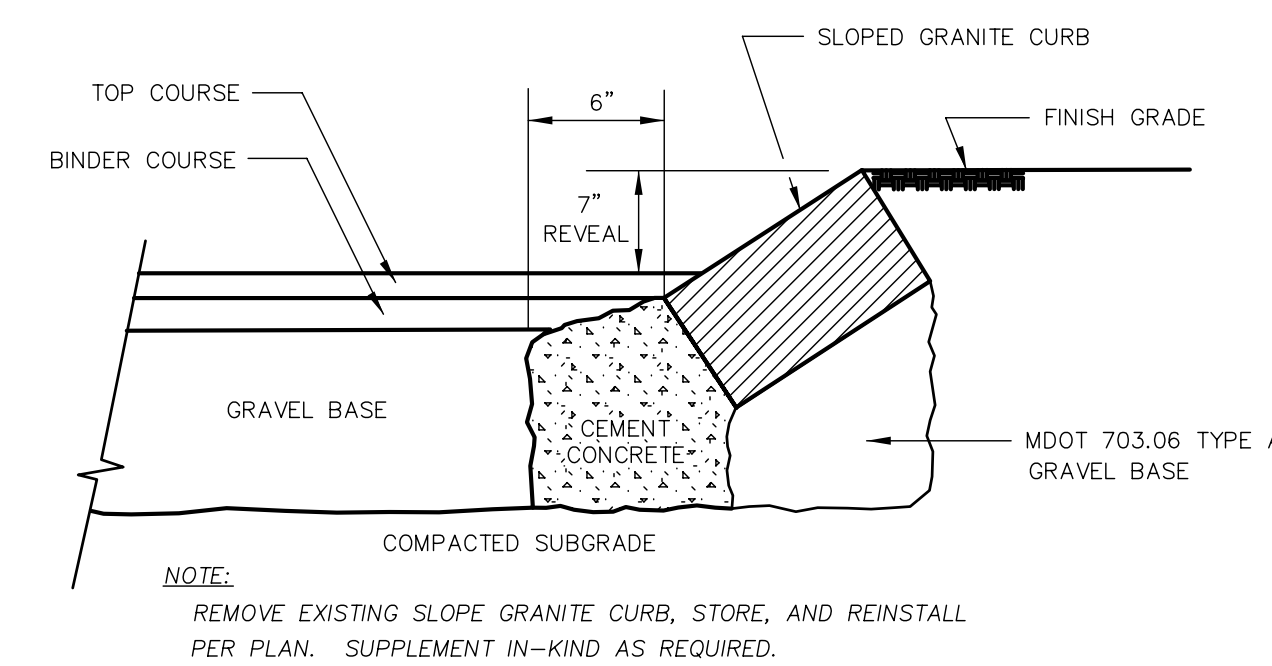
**3 HAYBALE WITH SILT FENCE DETAIL**  
D-1 NOT TO SCALE



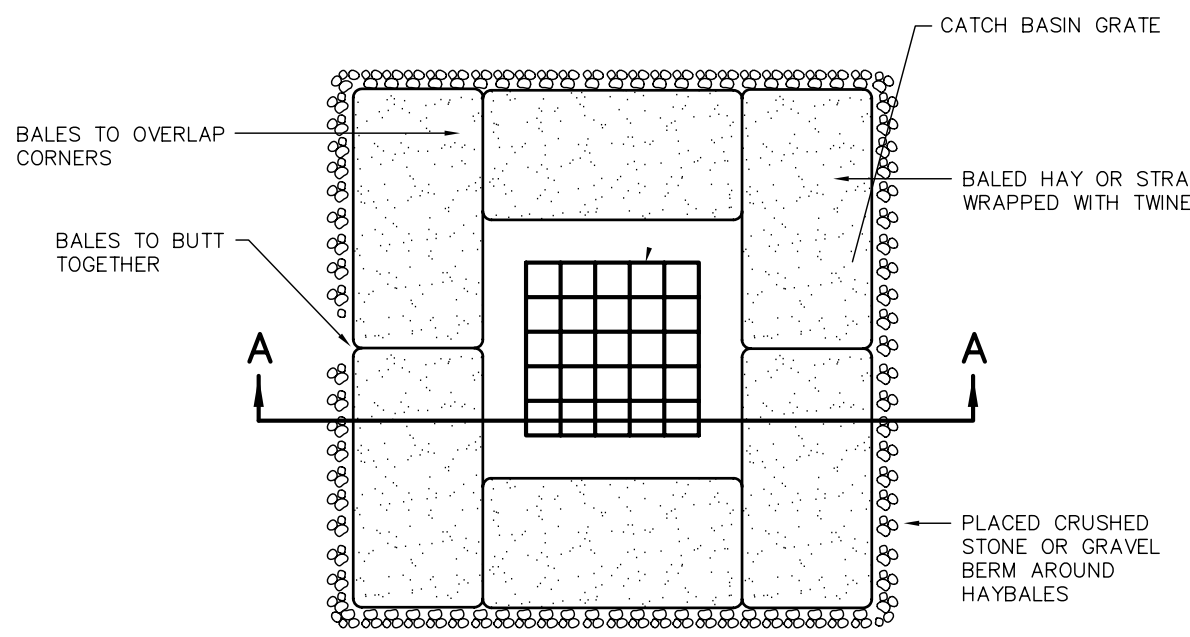
**4 STABILIZED CONSTRUCTION ENTRANCE**  
D-1 NOT TO SCALE



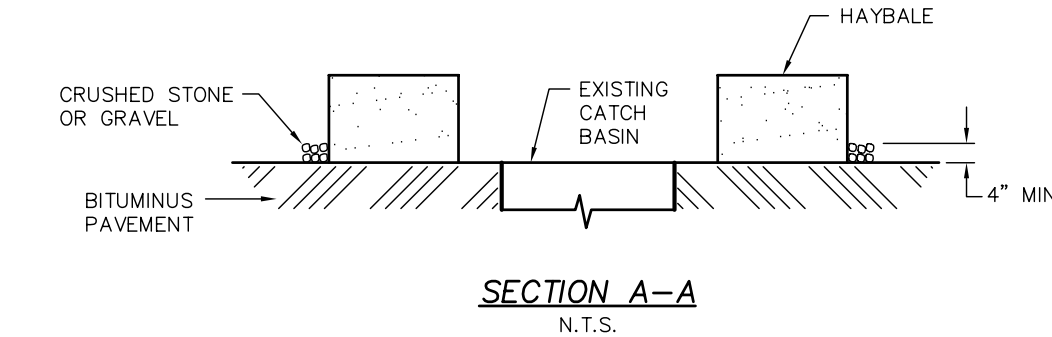
**5 SECTION - CURB AND SIDEWALK**  
D-1 N.T.S.



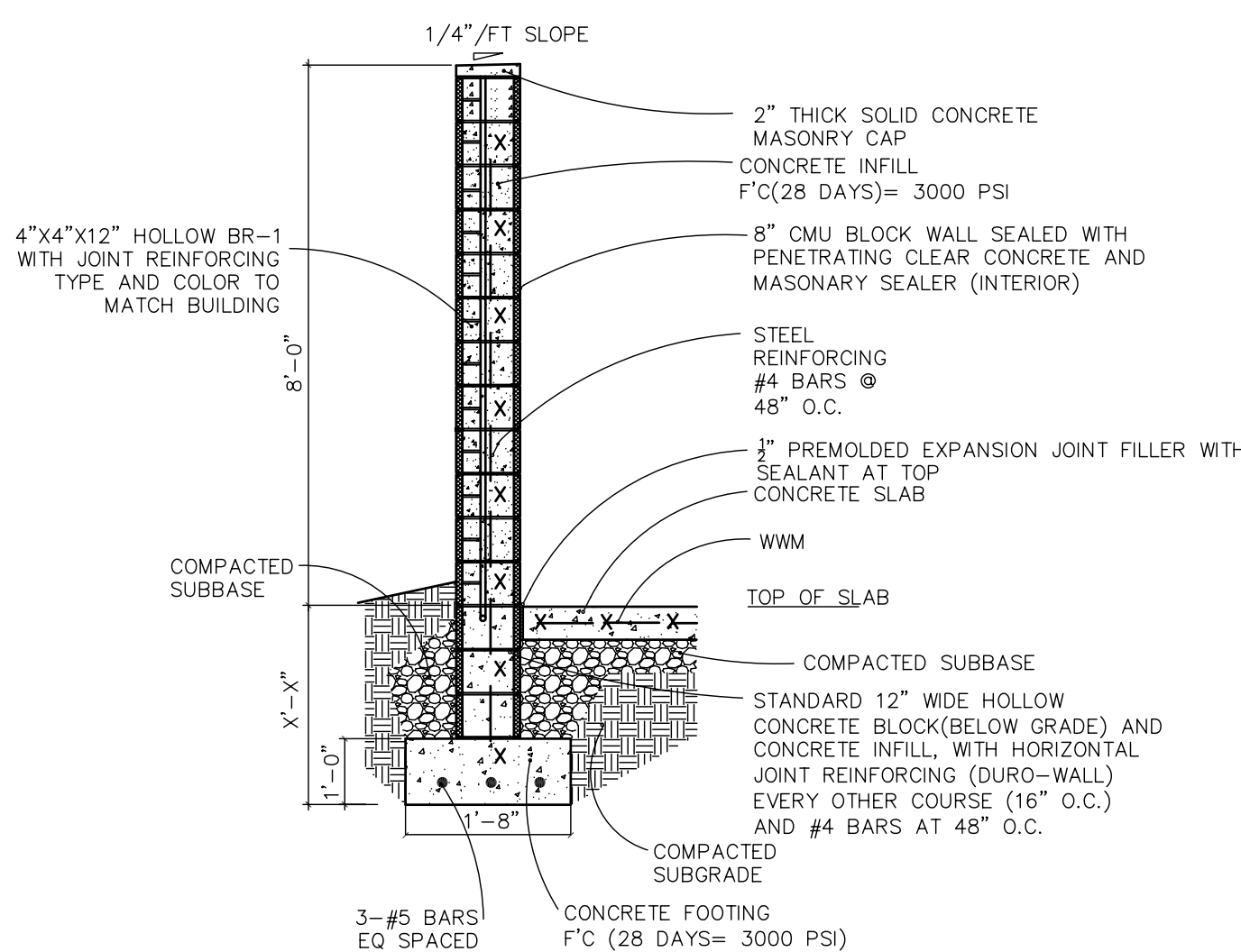
**6 SLOPED GRANITE CURB**  
D-1 N.T.S.



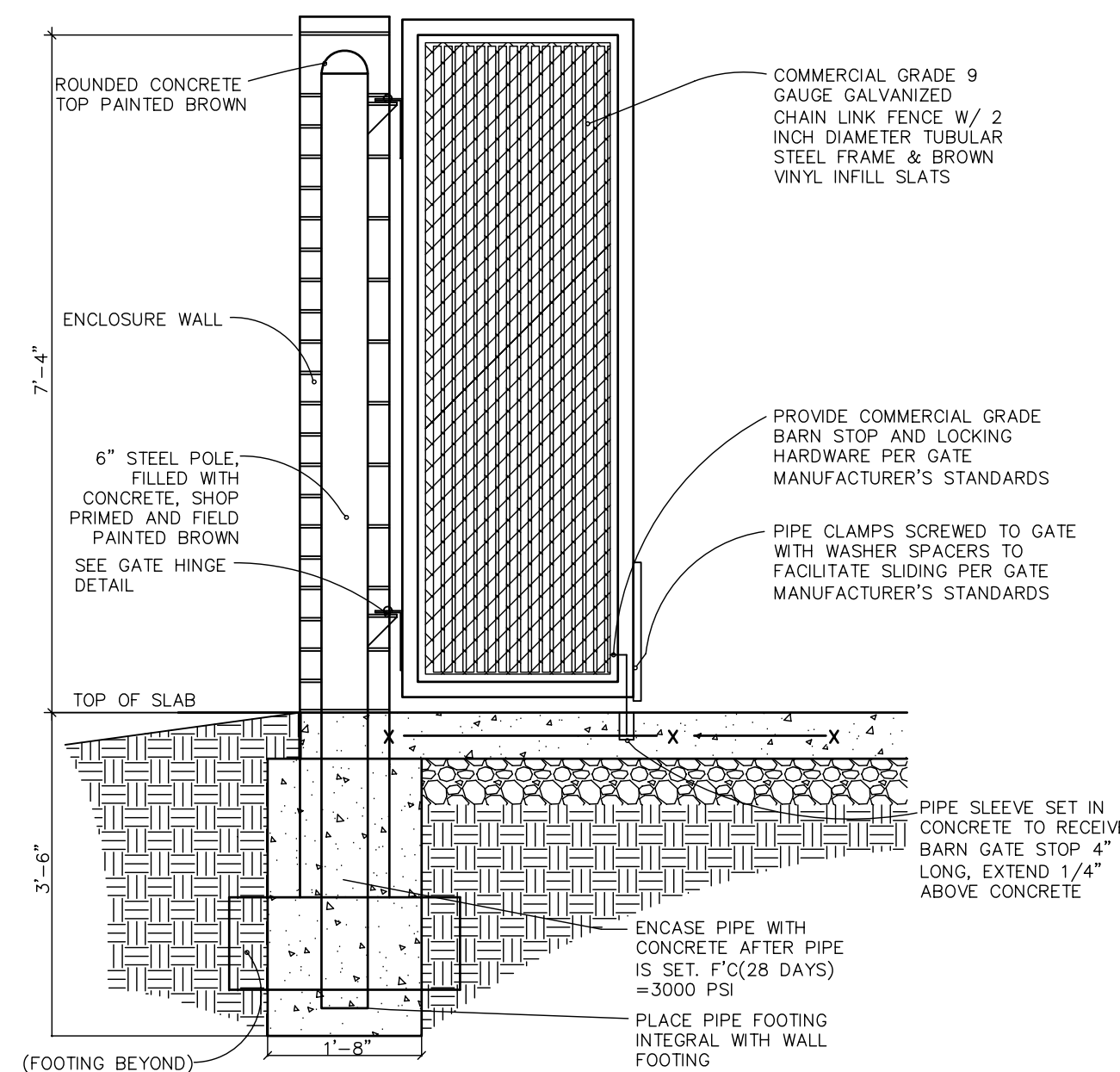
**7 CATCH BASIN EROSION CONTROL MEASURE**  
D-1 NOT TO SCALE



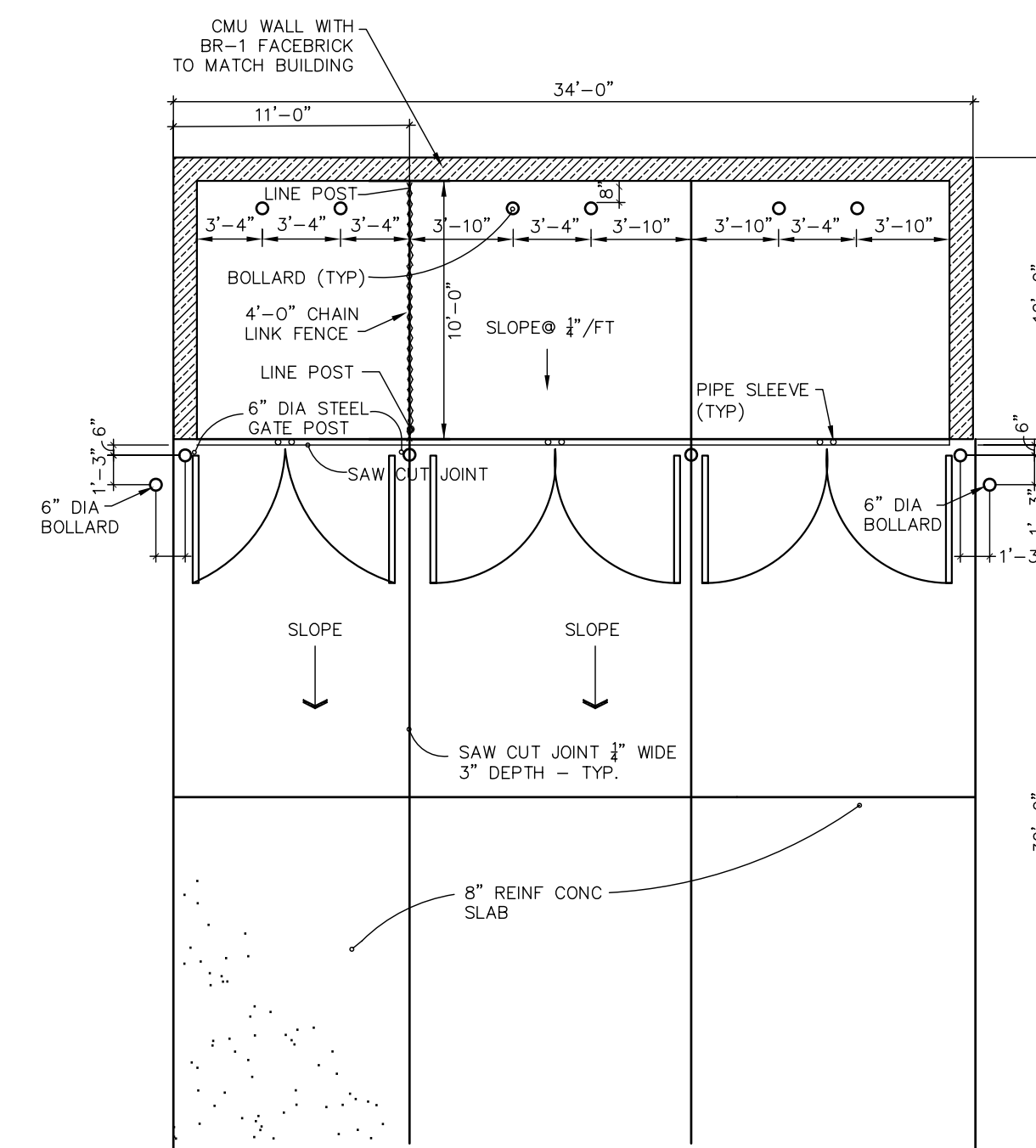
**SECTION A-A**  
N.T.S.



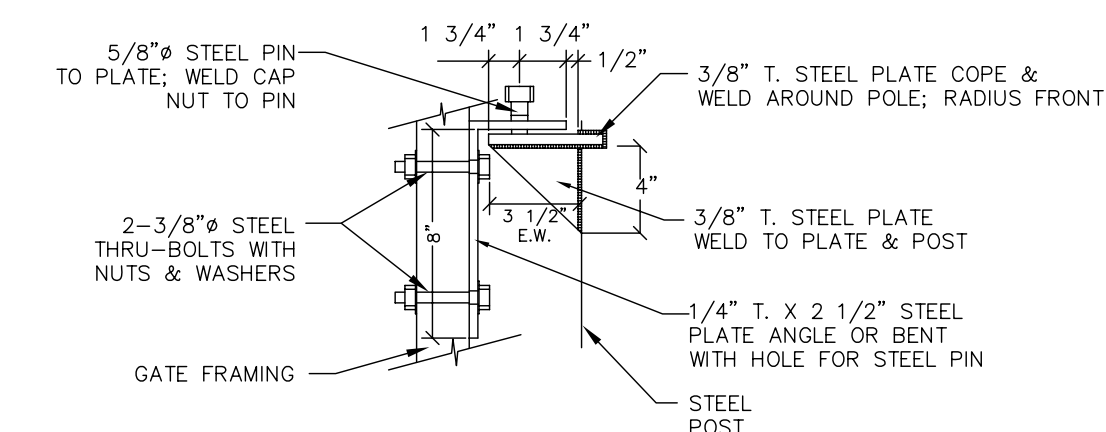
**8 TRASH ENCLOSURE SECTION**  
D-1 N.T.S.



**9 TRASH ENCLOSURE GATE**  
D-1 N.T.S.



**10 TRASH ENCLOSURE PLAN**  
D-1 N.T.S.



**GATE HINGE**  
N.T.S.

**REVISIONS:**

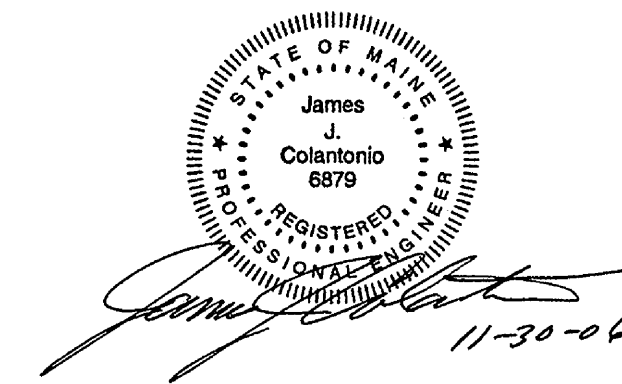
No.	DATE	REVISIONS PER CITY COMMENTS
1	04/11/05	REVISED PARCEL B LAYOUT
2	07/18/06	ADDITIONAL INTERIOR SIDEWALKS
3	08/22/06	ISSUED FOR GENERAL CONTRACTOR
5	11/21/06	BID & BUILDING PERMIT

**GENERAL NOTES:**

**COLER & COLANTONIO INC**  
ENGINEERS AND SCIENTISTS

413-313-0100  
Fax: 413-313-0190  
www.col-col.com

55 Bobala Road  
Holyoke, MA 01040



**TITLE:**

**CONSTRUCTION DETAILS  
PROPOSED SITE DESIGN  
RITE AID PHARMACY  
365 ALLEN AVENUE  
PORTLAND, ME**

**PREPARED FOR:**

**RITE AID CORPORATION  
P. O. BOX 3165  
HARRISBURG, PA 17105**

DATE: OCT. 19, 2004

COMP./DESIGN: ELM

CHECK: KK

DRAWN: ELM

SCALE: NONE

JOB NO.: 60-61

DWG NO.: 60-61 Details

**D-1**