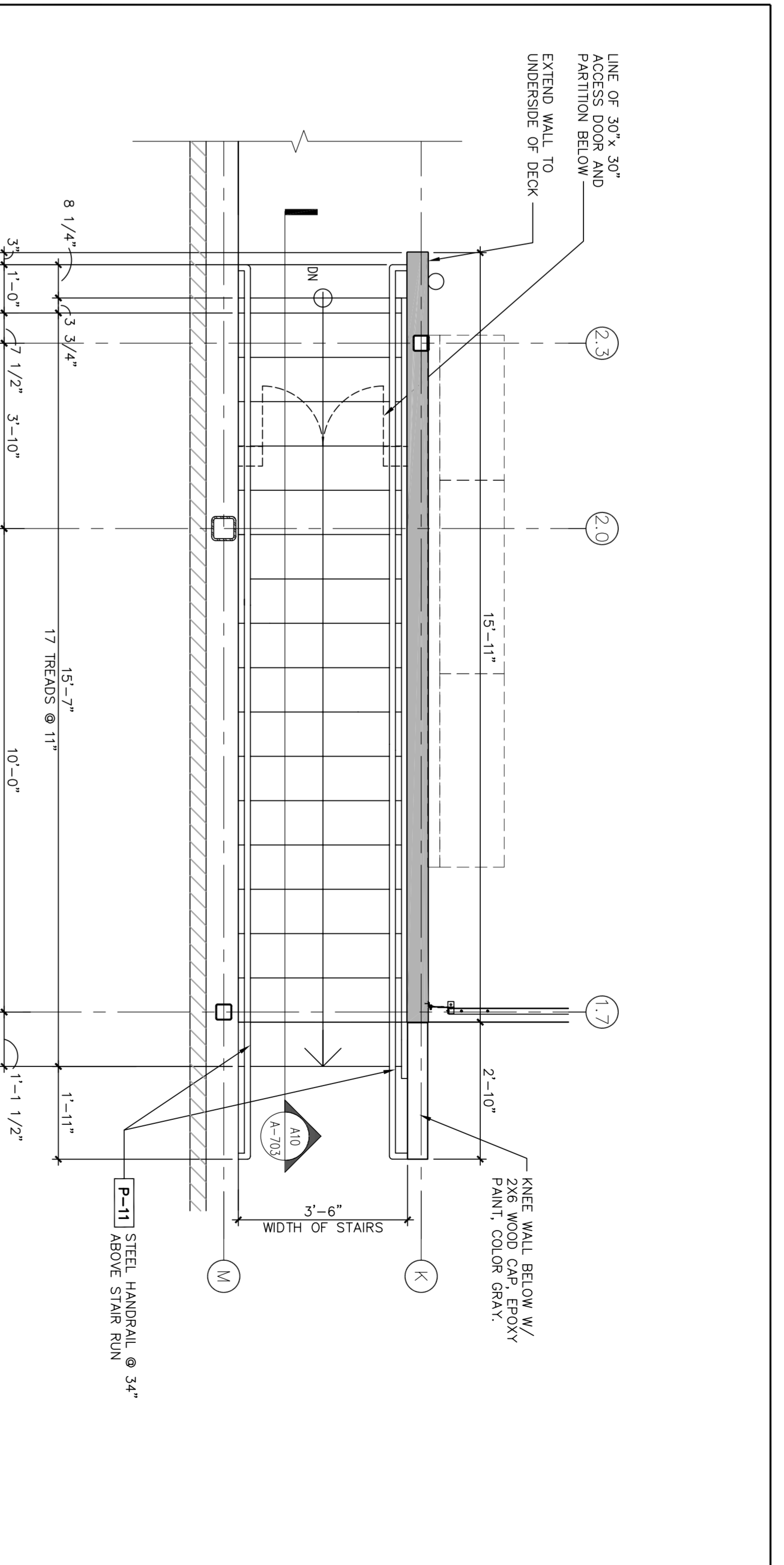


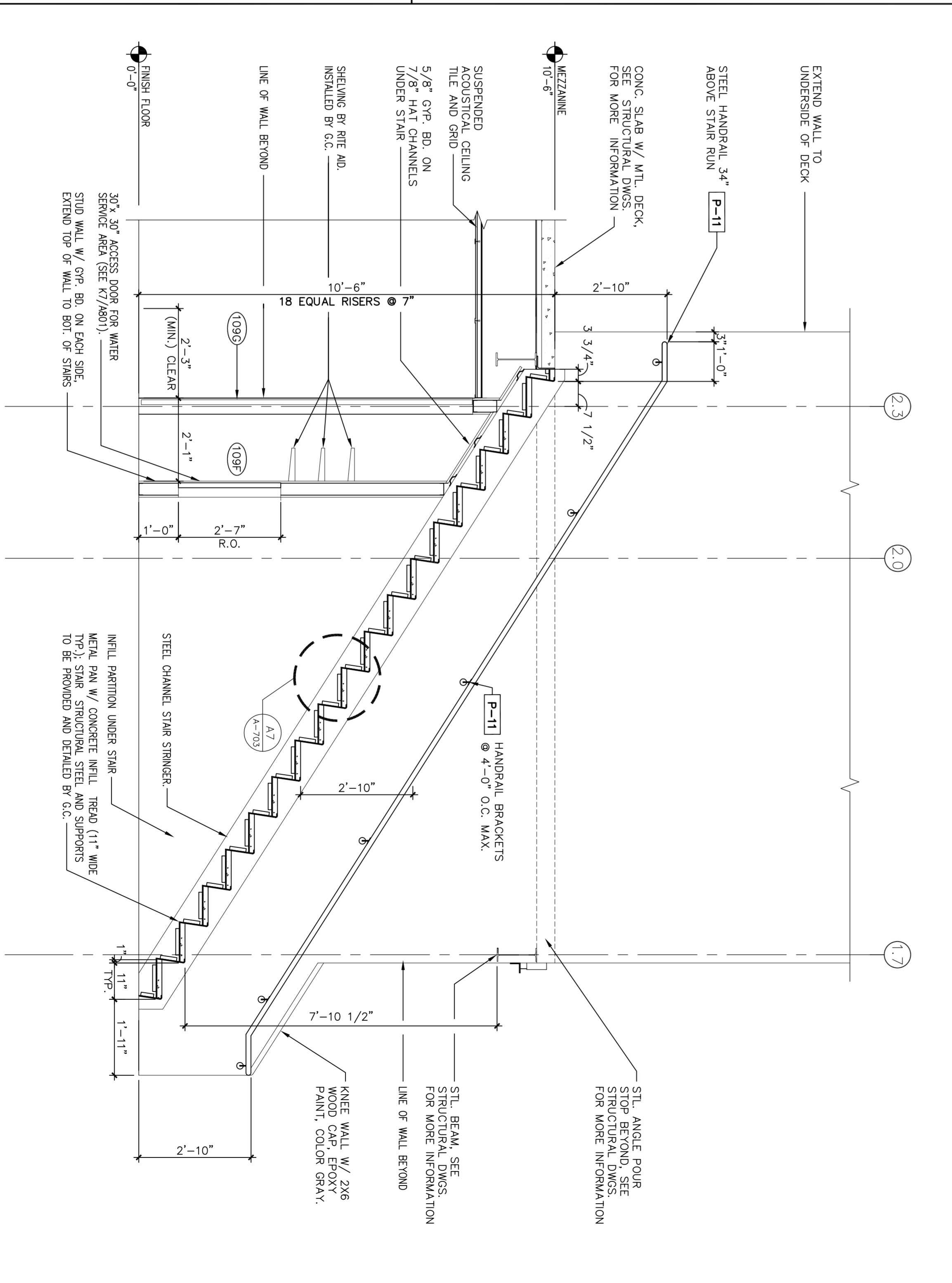
NO.	REVISIONS
1	ISSUED FOR BUILDING PERMIT/CC BIDDING
	10-27-06

Drawn: RCK  
 Checked: [ ]  
 Approved: [ ]  
 Project No.: 10525  
 Date: 10-27-06  
 Title: STAIR PLANS, SECTIONS AND DETAILS

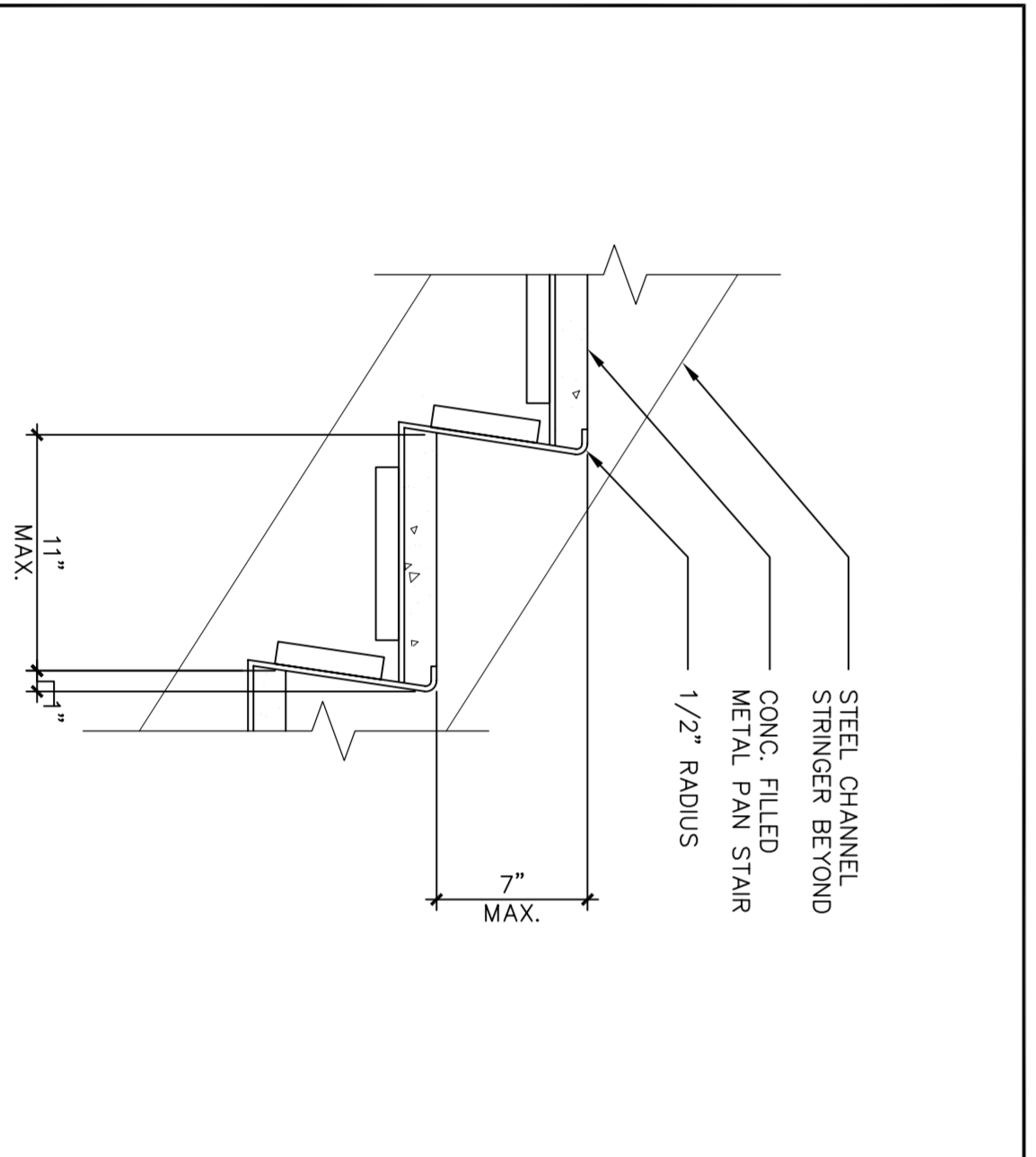
Sheet No.: A-703



**G10 ENLARGED STAIR PLAN**  
 1/2" = 1'-0" RE: A1A/603



**A10 STAIR DETAIL**  
 1/2" = 1'-0" RE: A3A/101, G10/A/703



**A7 STAIR TREAD DETAIL**  
 1 1/2" = 1'-0" RE: A10/A/703

1 2 3 4 5 6 7 8 9 10 11 12 13 14 15 16

A B C D E F G H I J K L M