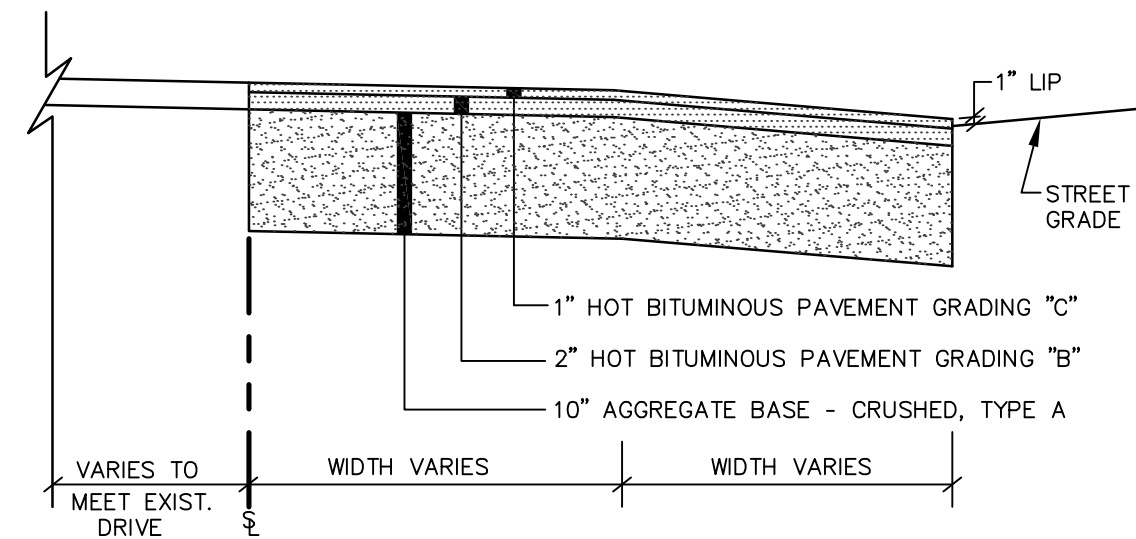
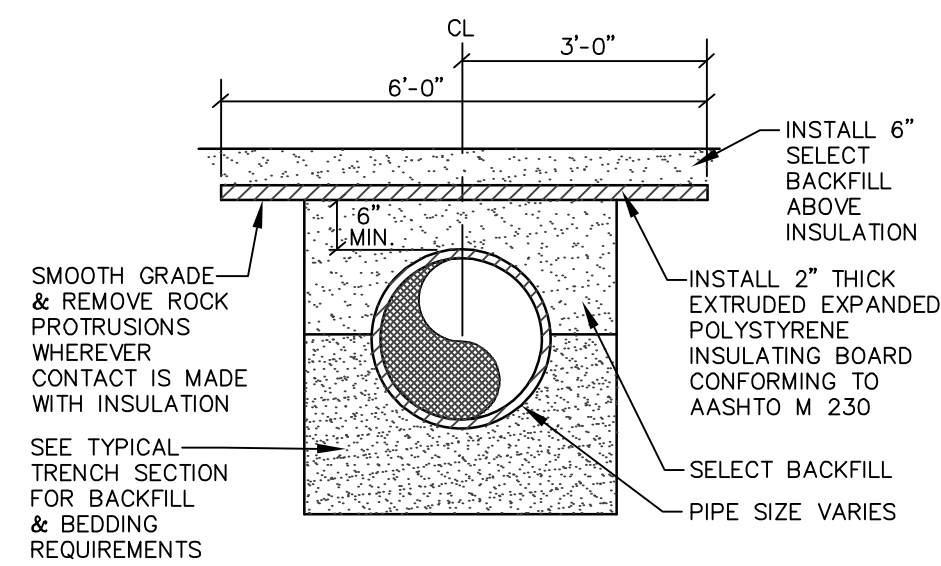


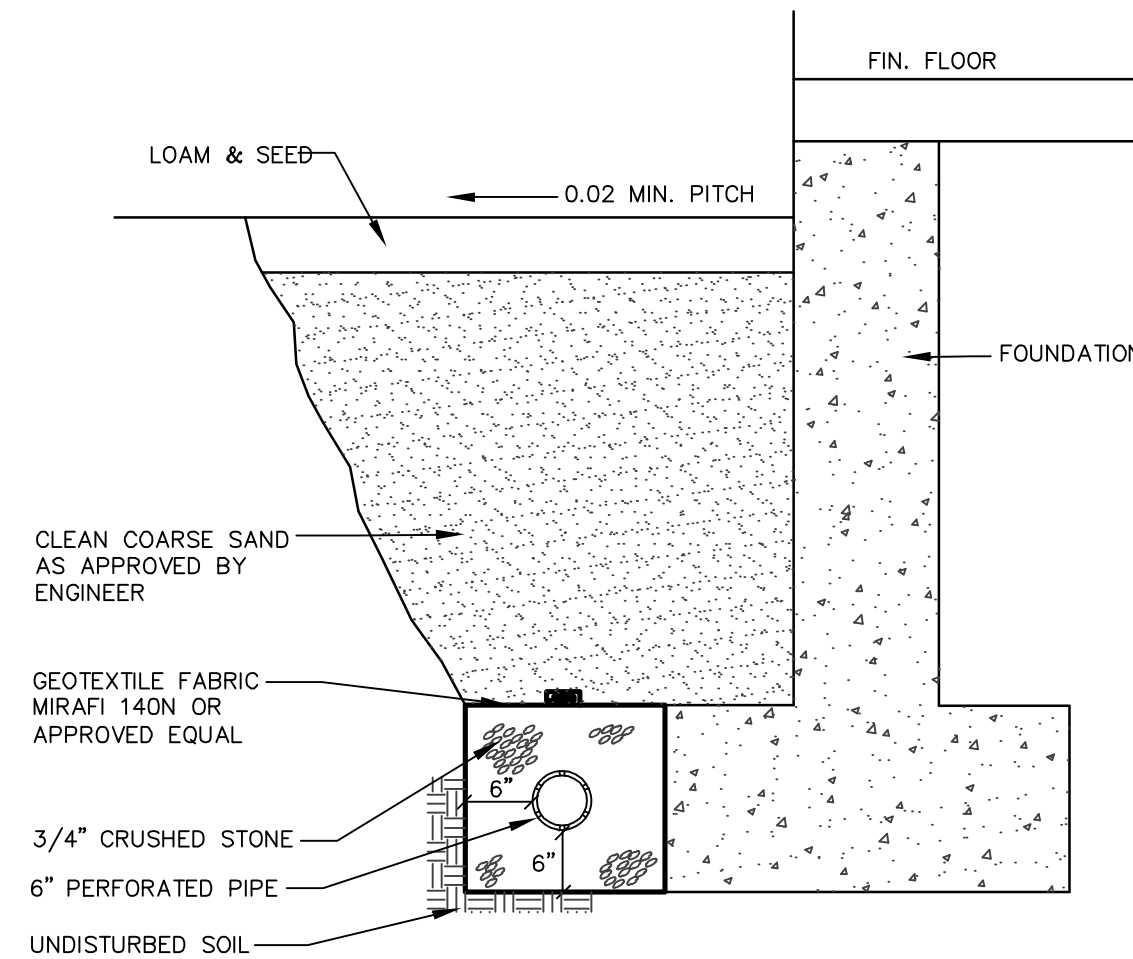
**TYPICAL PAVEMENT JOINT**  
NOT TO SCALE



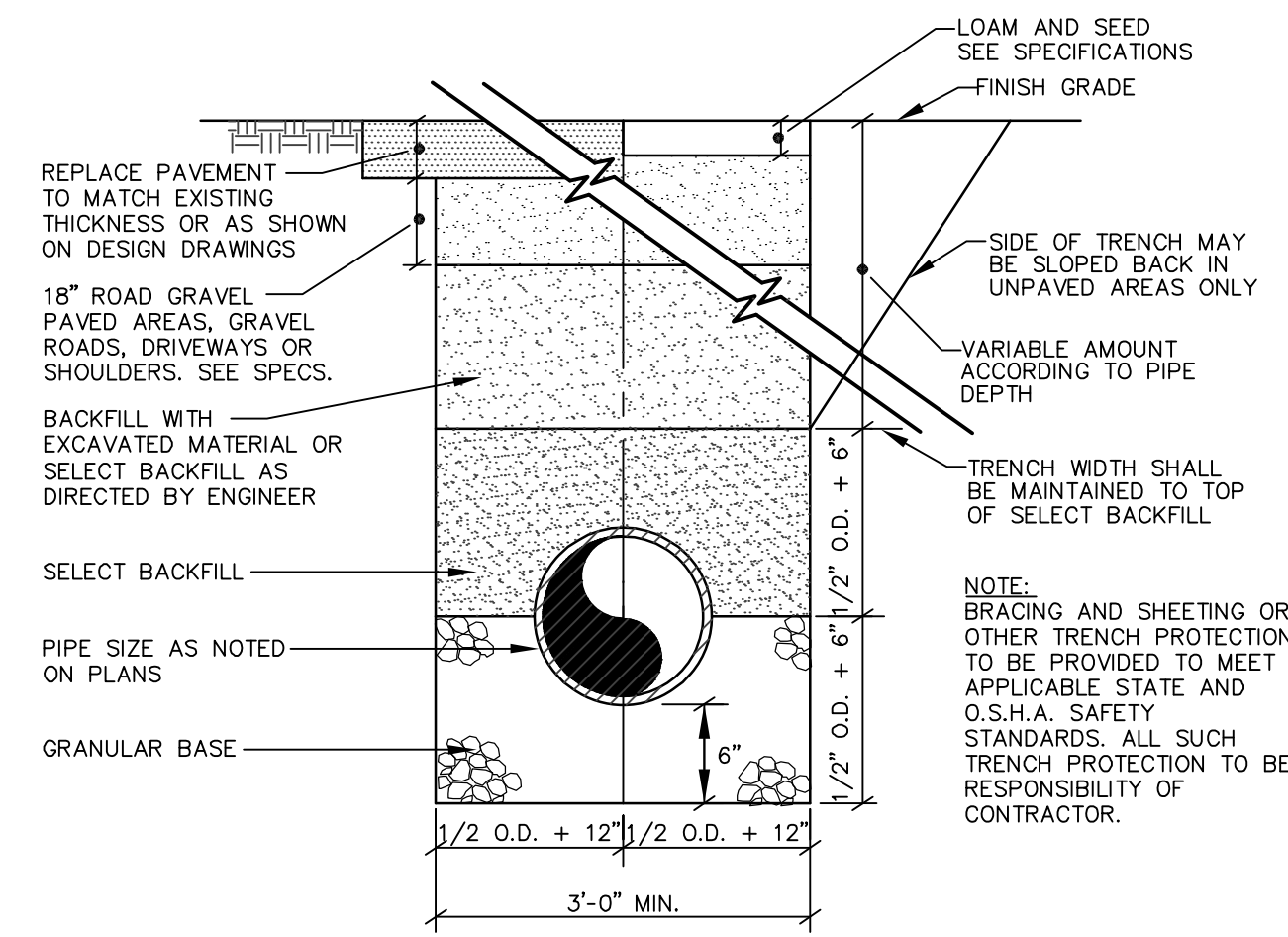
**BITUMINOUS DRIVEWAY CONSTRUCTION**  
NOT TO SCALE



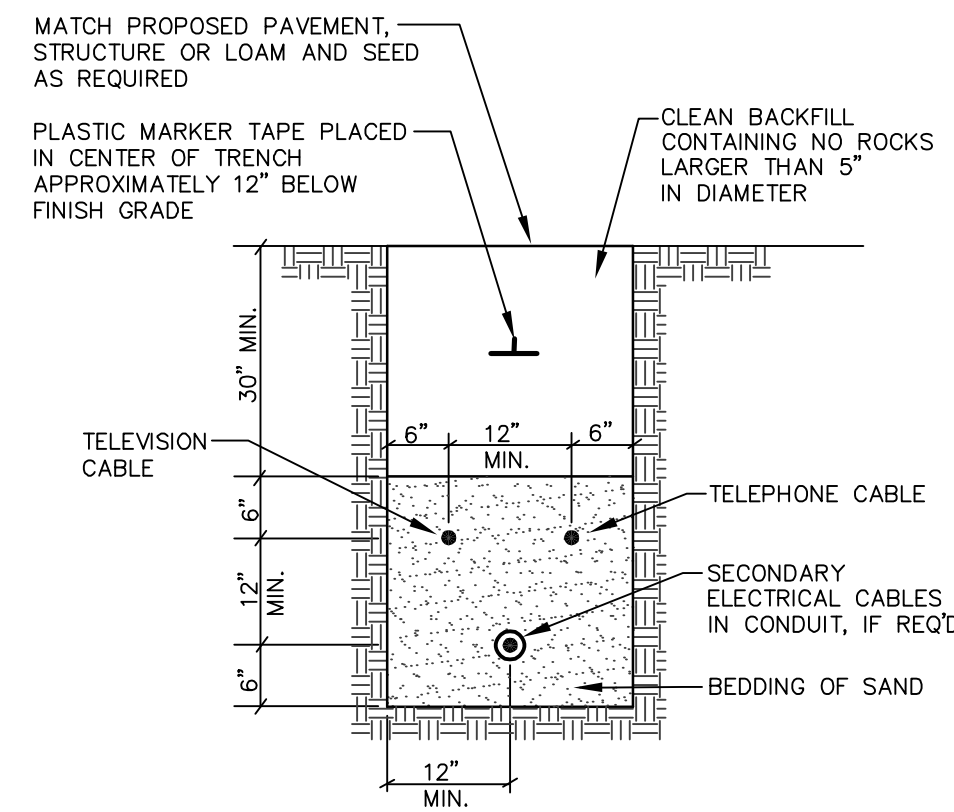
**PIPE INSULATION DETAIL**  
NOT TO SCALE



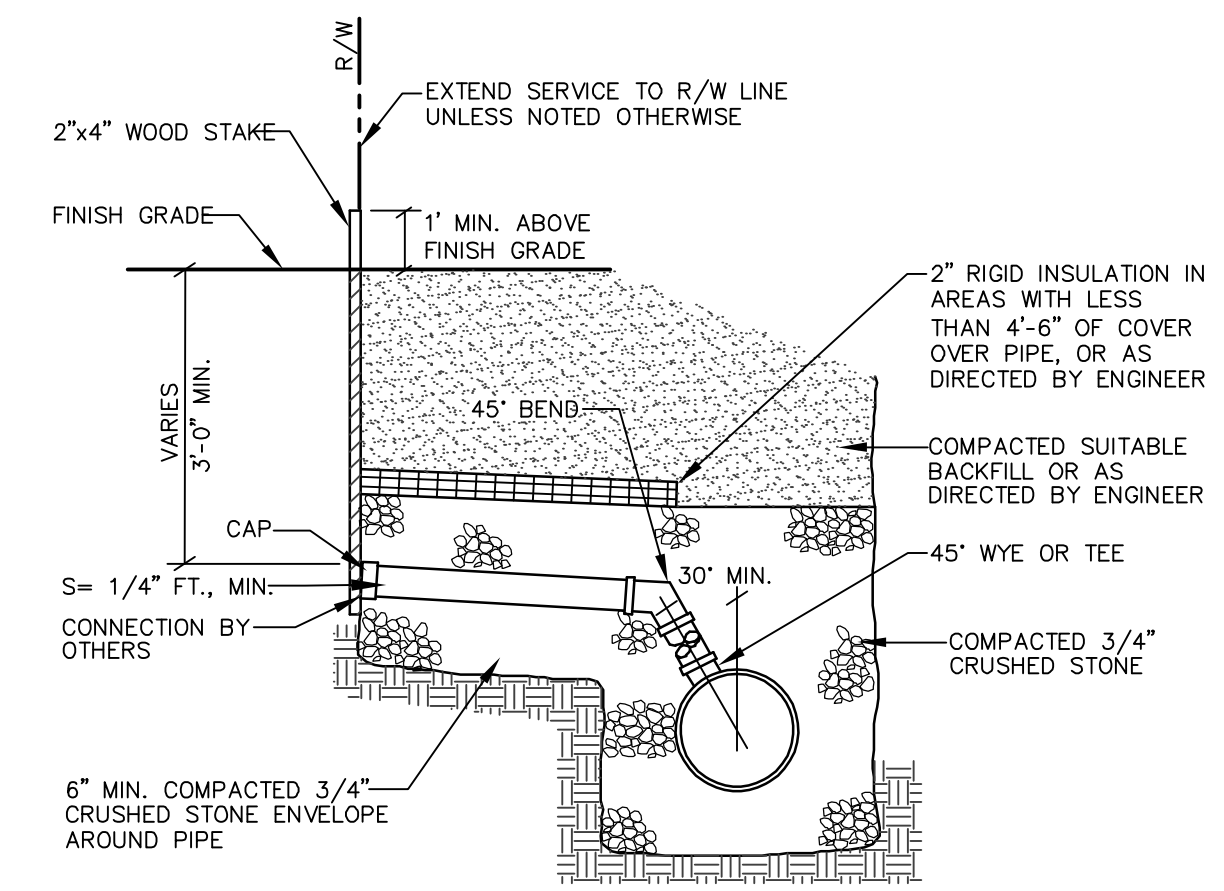
**TYP. FOUNDATION DRAIN SECTION**  
NOT TO SCALE



**TRENCH SECTION**  
NOT TO SCALE

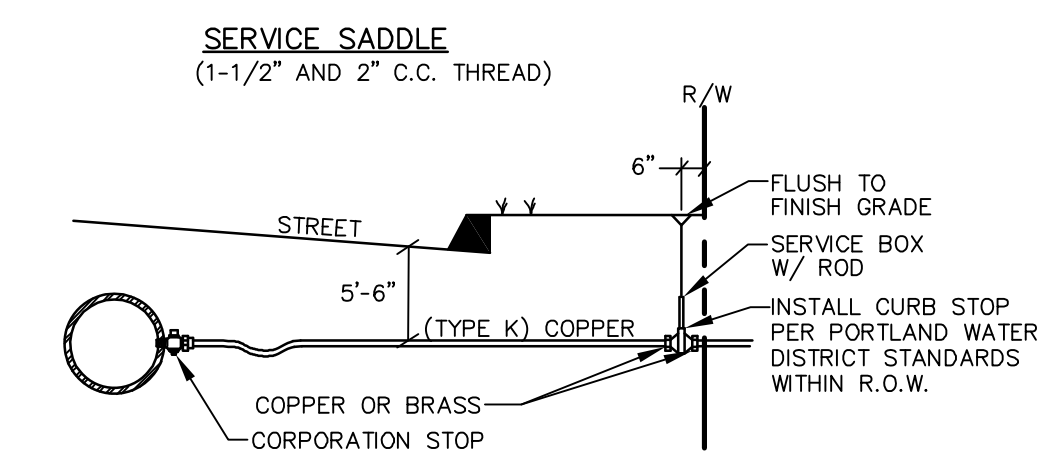
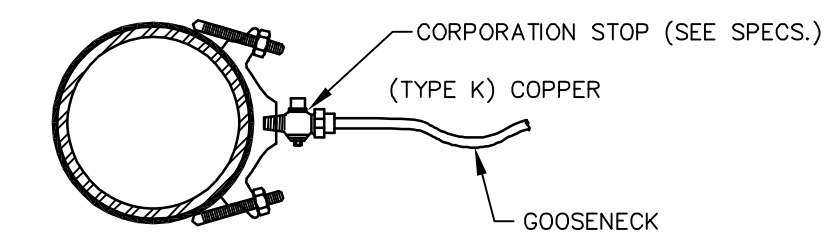
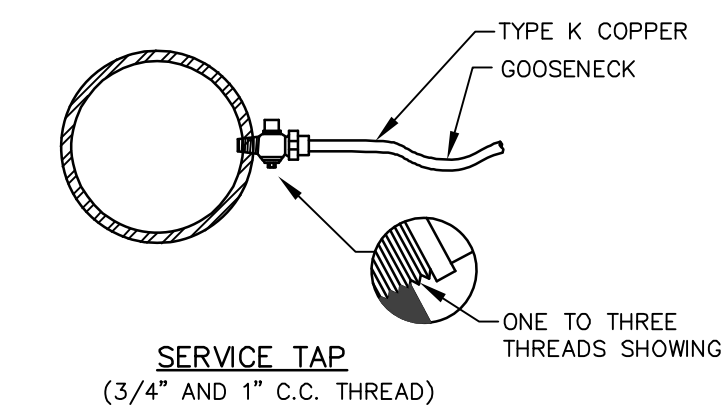


**TYPICAL UNDERGROUND CABLE INSTALLATION**  
NOT TO SCALE



- NOTES:**
1. PIPE DIAMETERS MAY VARY, SEE TYPICAL PIPE TRENCH DETAIL, THIS SHEET.
  2. WHERE 30° MINIMUM ANGLE BETWEEN SEWER CONNECTION AT THE SEWER MAIN AND THE VERTICAL CANNOT BE MAINTAINED, PROVIDE A PRECAST SEWER CHIMNEY.
  3. IF STAKE IS CUT OFF FLUSH OR SLIGHTLY BELOW GRADE, PROVIDE MIN. OF TWO 16G. GALV. SPIKES DRIVEN INTO TOP OF 2" x 4" TO PROVIDE METAL DETECTABILITY.

**HORIZONTAL SANITARY & STORM DRAIN CONNECTION**  
NOT TO SCALE



**TYPICAL SERVICE CONNECTION**  
NOT TO SCALE

DESIGNED	CHECKED
SDH	SDH
<p>A. I.M.W.E. 04-14-15 ISSUED FOR CLIENT REVIEW            REV. BY: DATE: STATUS:            THIS PLAN SHALL NOT BE MODIFIED WITHOUT WRITTEN PERMISSION FROM SEBAGO TECHNICS, INC. ANY ALTERATIONS AUTHORIZED OR OTHERWISE, SHALL BE AT THE USER'S SOLE RISK AND WITHOUT LIABILITY TO SEBAGO TECHNICS, INC.</p>	

**SEBAGO TECHNICS**  
 WWW.SEBAGO-TECHNICS.COM  
 75 John Roberts Rd., Suite B  
 South Portland, ME 04106  
 Tel. 207-200-9100 Tel. 207-783-5656

**DETAILS**  
 OF: **LOT 2**  
 419 ALLEN AVENUE  
 PORTLAND, MAINE  
 FOR: **ESTES CUSTOM BUILDERS**  
 733 ROOSEVELT TRAIL  
 WINDHAM, MAINE 04062

PROJECT NO.	SCALE
15098	NONE

**SHEET 4 OF 4**