

**City of Portland, Maine - Building or Use Permit Application**

389 Congress Street, 04101 Tel: (207) 874-8703, Fax: (207) 874-8716

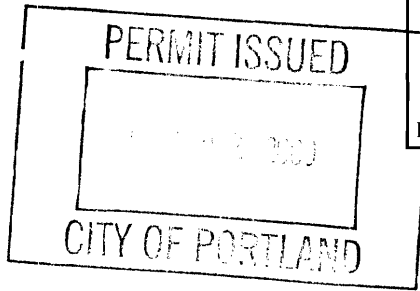
Permit No: 09-0485	Issue Date: 5/21/09	CBL: 401 A014001
-----------------------	------------------------	---------------------

Location of Construction: 401 ALLEN AVE	Owner Name: BRADFORD ALLEN E JR & WHI	Owner Address: 24 WOODMERE RD	Phone: 207-869-9140
Business Name:	Contractor Name: Bob Miles & Son, Inc.	Contractor Address: RR 2, Box 509A Yarmouth	Phone: 2078469374
Lessee/Buyer's Name	Phone:	Permit Type: HVAC	Zone:

Past Use: Single Family Home	Proposed Use: Single Family Home - Install a Pensotti Natural Gas Heating System	Permit Fee: \$100.00	Cost of Work: \$8,000.00	CEO District: 4
Proposed Project Description: Install a Pensotti Natural Gas Heating System		FIRE DEPT: <input type="checkbox"/> Approved <input type="checkbox"/> Denied	INSPECTION: Use Group: R-3 Type: SB IMC-2003	
		Signature:	Signature: <i>EL</i> 5/21/09	
PEDESTRIAN ACTIVITIES DISTRICT (P.A.D.)				
Action: <input type="checkbox"/> Approved <input type="checkbox"/> Approved w/Conditions <input type="checkbox"/> Denied				
Signature: _____ Date: _____				

Permit Taken By: lmd	Date Applied For: 05/21/2009	<b>Zoning Approval</b>
-------------------------	---------------------------------	------------------------

<p>1. This permit application does not preclude the Applicant(s) from meeting applicable State and Federal Rules.</p> <p>2. Building permits do not include plumbing, septic or electrical work.</p> <p>3. Building permits are void if work is not started within six (6) months of the date of issuance. False information may invalidate a building permit and stop all work..</p>	<p><b>Special Zone or Reviews</b></p> <input type="checkbox"/> Shoreland <input type="checkbox"/> Wetland <input type="checkbox"/> Flood Zone <input type="checkbox"/> Subdivision <input type="checkbox"/> Site Plan  <input type="checkbox"/> Maj <input type="checkbox"/> Minor <input type="checkbox"/> MM <input type="checkbox"/>	<p><b>Zoning Appeal</b></p> <input type="checkbox"/> Variance <input type="checkbox"/> Miscellaneous <input type="checkbox"/> Conditional Use <input type="checkbox"/> Interpretation <input type="checkbox"/> Approved <input type="checkbox"/> Denied	<p><b>Historic Preservation</b></p> <input type="checkbox"/> Not in District or Landmark <input checked="" type="checkbox"/> Does Not Require Review <input type="checkbox"/> Requires Review <input type="checkbox"/> Approved <input type="checkbox"/> Approved w/Conditions <input type="checkbox"/> Denied
	<p>Date: 5/21/09</p>	<p>Date: _____</p>	<p>Date: _____</p>



**CERTIFICATION**

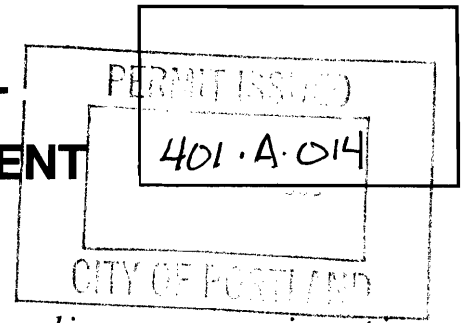
I hereby certify that I am the owner of record of the named property, or that the proposed work is authorized by the owner of record and that I have been authorized by the owner to make this application as his authorized agent and I agree to conform to all applicable laws of this jurisdiction. In addition, if a permit for work described in the application is issued, I certify that the code official's authorized representative shall have the authority to enter all areas covered by such permit at any reasonable hour to enforce the provision of the code(s) applicable to such permit.

SIGNATURE OF APPLICANT	ADDRESS	DATE	PHONE
RESPONSIBLE PERSON IN CHARGE OF WORK, TITLE		DATE	PHONE



FILL IN AND SIGN WITH INK

# APPLICATION FOR PERMIT HEATING OR POWER EQUIPMENT



To the INSPECTOR OF BUILDINGS, PORTLAND, ME.

The undersigned hereby applies for a permit to install the following heating, cooking or power equipment in accordance with the Laws of Maine, the Building Code of the City of Portland, and the following specifications:

Location / CBL \_\_\_\_\_ Use of Building \_\_\_\_\_ Date \_\_\_\_\_

Name and address of owner of appliance ALAN BEARFORD 401 ALLEN AVE

Installer's name and address FOS PALES & SON INC 1162 US ROUTE ONE FREDERICK ME 04032 Telephone 207 869 7140

### Location of appliance:

- Basement
- Attic
- Floor
- Roof

MAY 21 2009

### Type of Fuel:

- Gas
- Oil
- Solid

Appliance Name: FENSOTTI

U.L. Approved  Yes  No

Will appliance be installed in accordance with the manufacture's installation instructions?  Yes  No

IF NO Explain: \_\_\_\_\_

### The Type of License of Installer:

- Master Plumber # \_\_\_\_\_
- Solid Fuel # \_\_\_\_\_
- Oil # \_\_\_\_\_
- Gas # FNG1078
- Other \_\_\_\_\_

### Type of Chimney:

- Masonry Lined  
Factory built \_\_\_\_\_
- Metal  
Factory Built U.L. Listing # \_\_\_\_\_
- Direct Vent  
Type FENSOTTI UL# \_\_\_\_\_

### Type of Fuel Tank

- Oil
- Gas

Size of Tank \_\_\_\_\_

Number of Tanks \_\_\_\_\_

Distance from Tank to Center of Flame \_\_\_\_\_ feet.

Cost of Work: \$ 8,000.00

Permit Fee: \$ \_\_\_\_\_

### Approved

Fire: \_\_\_\_\_  
 Ele.: \_\_\_\_\_  
 Bldg.: \_\_\_\_\_

### Approved with Conditions

- See attached letter or requirement

Chetan D. Ne  
 Inspector's Signature

5/21/09  
 Date Approved

Signature of Installer [Signature]

**City of Portland, Maine - Building or Use Permit**

389 Congress Street, 04101 Tel: (207) 874-8703, Fax: (207) 874-8716

<b>Permit No:</b> 09-0485	<b>Date Applied For:</b> 05/21/2009	<b>CBL:</b> 401 A014001
------------------------------	--	----------------------------

<b>Location of Construction:</b> 401 ALLEN AVE	<b>Owner Name:</b> BRADFORD ALLEN E JR & WHI	<b>Owner Address:</b> 24 WOODMERE RD	<b>Phone:</b> 207-869-9140
<b>Business Name:</b>	<b>Contractor Name:</b> Bob Miles & Son, Inc.	<b>Contractor Address:</b> RR 2, Box 509A Yarmouth	<b>Phone:</b> (207) 846-9374
<b>Lessee/Buyer's Name</b>	<b>Phone:</b>	<b>Permit Type:</b> HVAC	

<b>Proposed Use:</b> Single Family Home - Install a Pensotti Natural Gas Heating System	<b>Proposed Project Description:</b> Install a Pensotti Natural Gas Heating System
--	---

<b>Dept:</b> Zoning	<b>Status:</b> Approved	<b>Reviewer:</b> Chris Hanson	<b>Approval Date:</b> 05/21/2009
<b>Note:</b>			<b>Ok to Issue:</b> <input checked="" type="checkbox"/>
<b>Dept:</b> Building	<b>Status:</b> Approved with Conditions	<b>Reviewer:</b> Chris Hanson	<b>Approval Date:</b> 05/21/2009
<b>Note:</b>			<b>Ok to Issue:</b> <input checked="" type="checkbox"/>
1) The installation must comply with the State of Maine Gas Regulations.			
2) Installation shall comply with 2003 International Mechanical Code and State of Maine Oil and Solid Fuel Board Laws and Rules			

**BUILDING PERMIT INSPECTION PROCEDURES**

**Please call 874-8703 or 874-8693 (ONLY )**

**to schedule your inspections as agreed upon**

**Permits expire in 6 months, if the project is not started or ceases for 6 months.**

The Owner or their designee is required to notify the inspections office for the following inspections and provide adequate notice. Notice must be called in 48-72 hours in advance in order to schedule an inspection:

**By initializing at each inspection time, you are agreeing that you understand the inspection procedure and additional fees from a "Stop Work Order" and "Stop Work Order Release" will be incurred if the procedure is not followed as stated below.**

**A Pre-construction Meeting will take place upon receipt of your building permit.**

  **X**   **Final inspection required at completion of work.**

Certificate of Occupancy is not required for certain projects. Your inspector can advise you if your project requires a Certificate of Occupancy. All projects DO require a final inspection.

**If any of the inspections do not occur, the project cannot go on to the next phase, REGARDLESS OF THE NOTICE OR CIRCUMSTANCES.**

**CERIFICATE OF OCCUPANICES MUST BE ISSUED AND PAID FOR, BEFORE THE SPACE MAY BE OCCUPIED.**

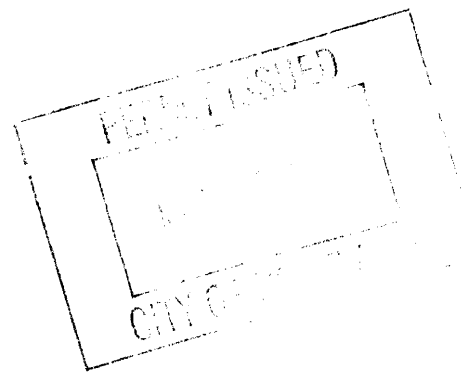
\_\_\_\_\_  
Signature of Applicant/Designee

\_\_\_\_\_  
Date

\_\_\_\_\_  
Signature of Inspections Official

\_\_\_\_\_  
Date

*M. J. Tal*





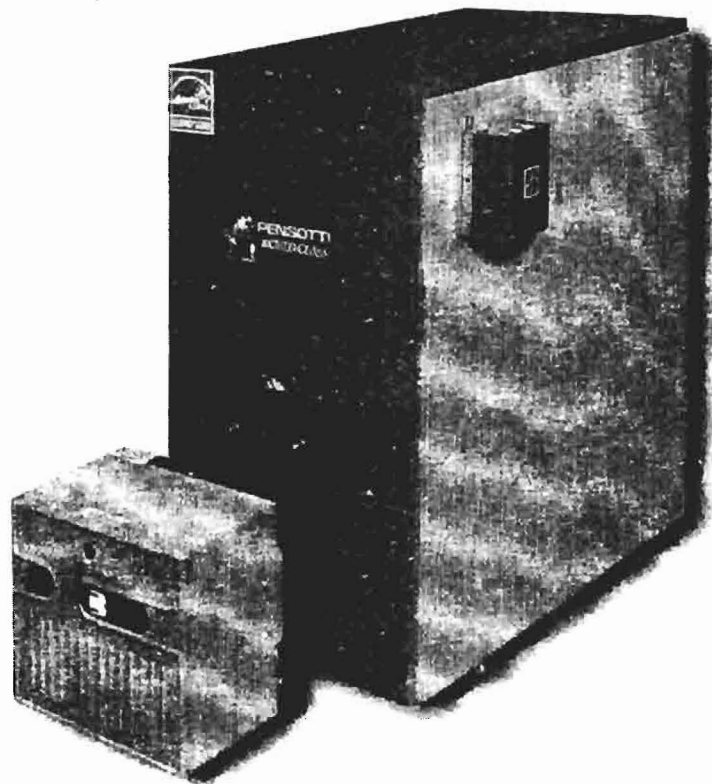
**PENSOTTI®**

**NORTH AMERICA**  
**Heatline Quatech**

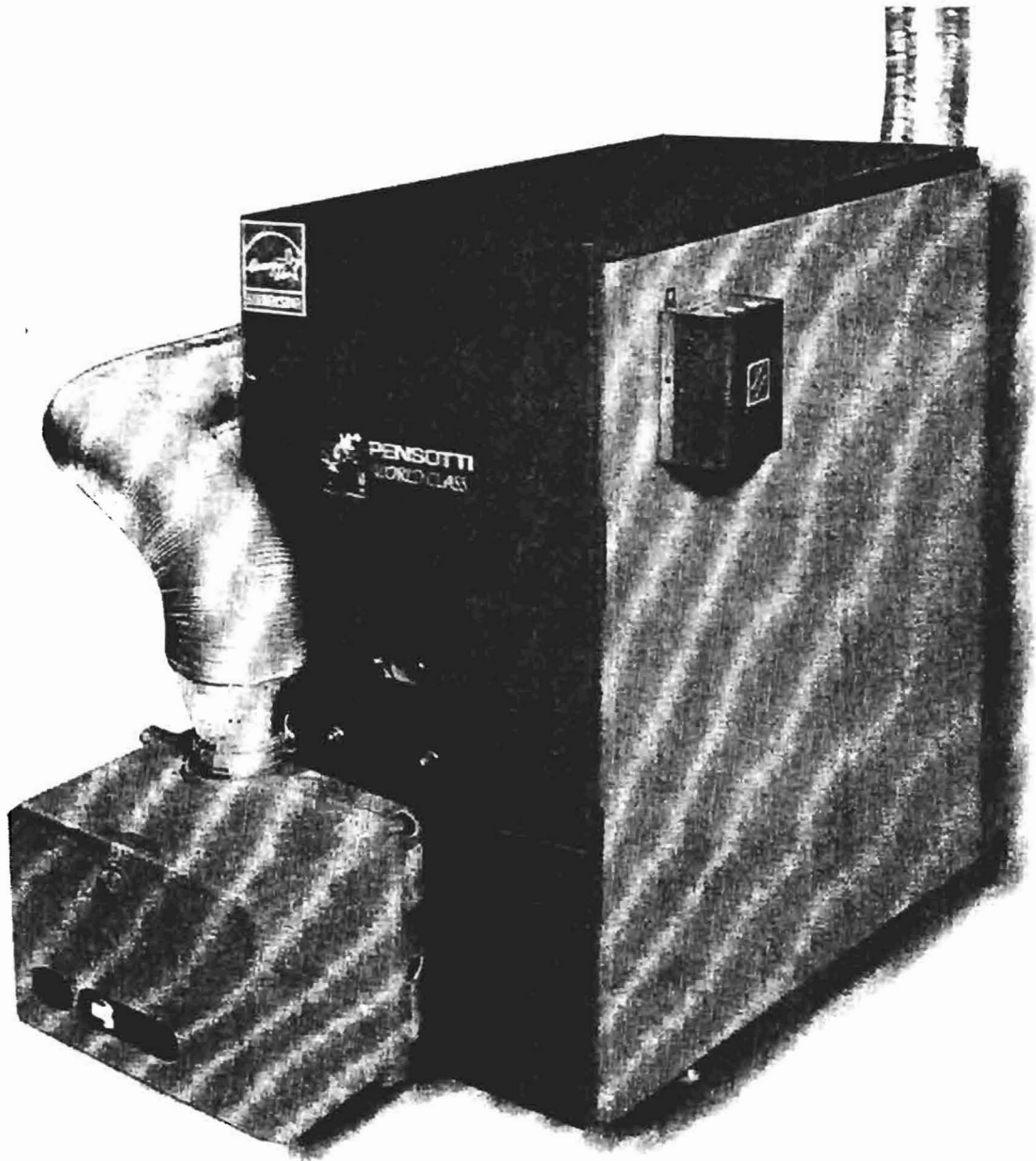
# Installation and User Guide

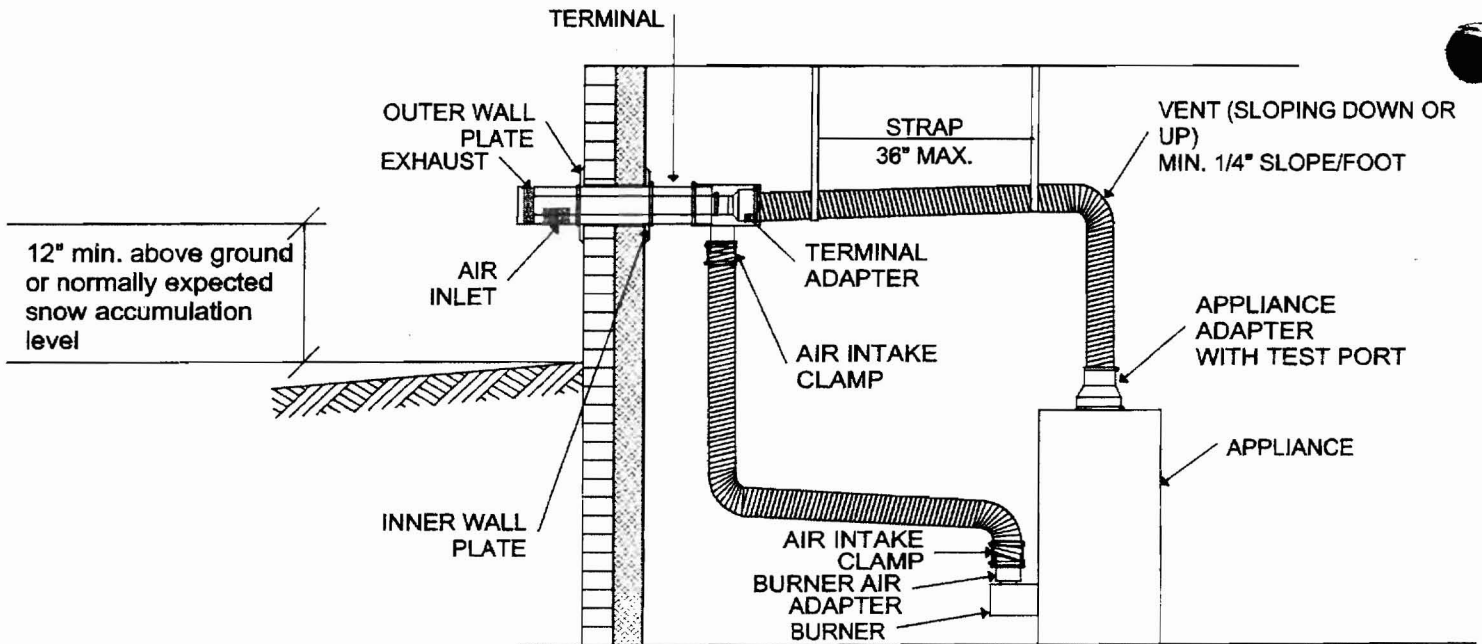
## DK2 Series Cast Iron Boiler

Assembly, Operating and Maintenance Instructions



# DIRECT VENTING GUIDE





## TYPICAL INSTALLATION

Figure 11

In addition to all of the previous stated information regarding Natural Draft Applications and Mechanical Draft Applications the following additional instructions for Direct Vent Applications must be followed while referencing **Figure 11**;

- That the maximum wall thickness is no more than 14". Contact PNA for recommendations in case of a thicker wall.
- That the PNA-Flex-L system is not designed for common venting. Use for a single appliance only unless otherwise approved.
- Utilize an appliance adapter test port for combustion testing as required by Flex-L.
- Follow the national codes for the installation of oil burning equipment: in USA - NFPA 31, in Canada - CAN/CSA-B139 and local regulations.

### Installing The Joint Assembly

- 1) Loosen the gear clamps attached to the adapter sleeve and slide the adapter sleeve over the vent pipe, **Figure 12** and **Figure 13**.
- 2) Pull the corrugated inner tube out of the vent pipe for easy access to insert the adapter.
- 3) Apply sealant around the corrugated end of the adapter.
- 4) Align the flat seams at the end of both corrugated tubes and insert the adapter into the vent tube. Screw the adapter into the vent pipe with a counterclockwise motion. The adapter should be fully inserted into the inner vent tube until it's tight. The seams of both tubes must be aligned for ease of insertion. If the adapter does not completely screw into the vent pipe, unscrew it and try again as per Step # 4.

- 5) Seal around edge of vent pipe inner tube.
- 6) Slide the adapter sleeve back onto adapter and tighten the gear clamps to complete the connection.
- 7) If the vent requires cutting to length, a fine toothed hacksaw can be used. Remove any burrs and flare out the end of the inner vent tube for easy installation of the adapter.

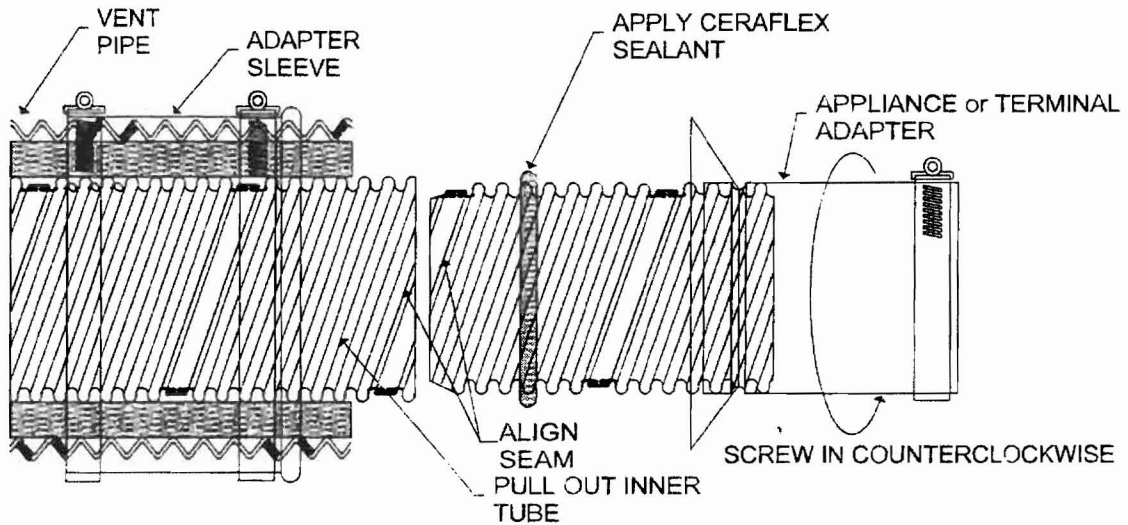


Figure 12

### Installing The Outside Terminal

Using **Figure 14** and **Figure 15** complete the following steps:

- 1) Determine the terminal location.
- 2) Cut 8-1/4" diameter hole through the wall (slightly larger than the O.D. of the terminal).
- 3) Pull apart the inner and the outer terminal sections.
- 4) Slide the outer wall plate over the outer section of the terminal until it rests against the bead.
- 5) From the outside of the building, insert the outer section through the hole until it rests against the wall.
- 6) From the inside of the building, slide the inner wall plate over the outer section and secure using four (4) screws.
- 7) Position the outer section so the seam on the flue collar is on the top and the air intake on the bottom. Secure the outer section by tightening the gear clamp around it. The gear clamp is factory welded to the inner wall plate.

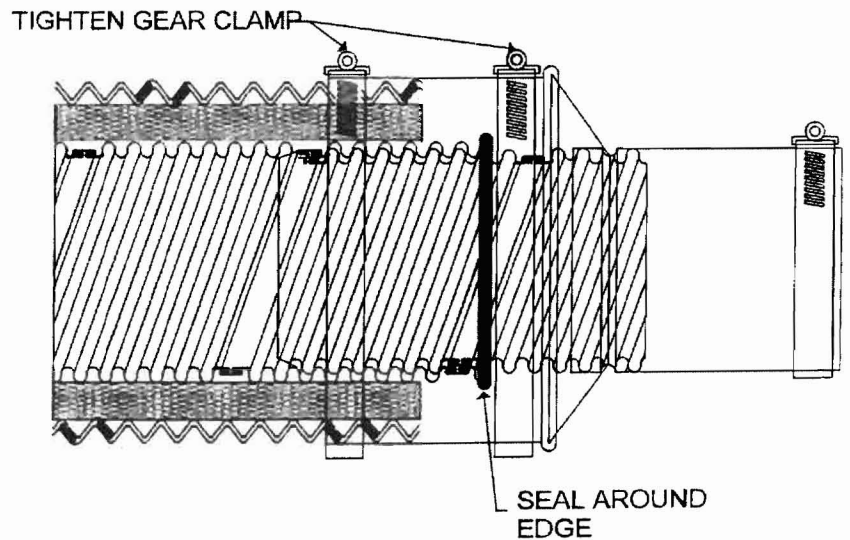


Figure 13

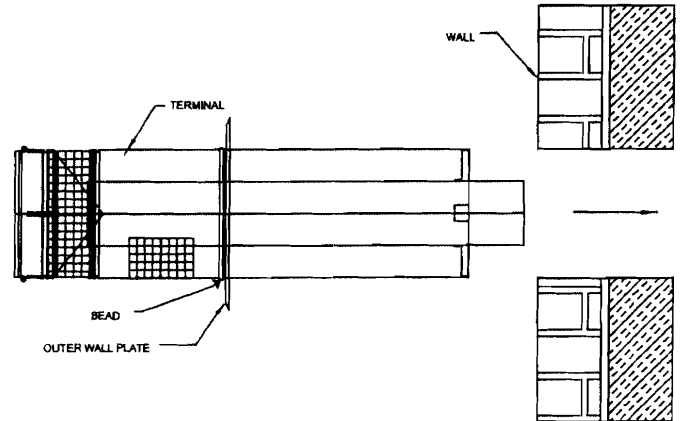


8) Seal with a weatherproof sealant around the bead and edge of the outer wall plate to prevent water from getting inside.

### Connections To Outside Terminal

Using **Figure 16** and **Figure 17** complete the following steps:

- 1) Slide the inner section over the vent pipe.
- 2) Connect the terminal adapter to the vent pipe as per joint assembly.
- 3) Apply a bead of sealant around the terminal flue collar.
- 4) Slide the appliance adapter over the flue collar.
- 5) Tighten the gear clamp of the terminal adapter around the flue collar.
- 6) Seal the seam in the adapter with sealant.
- 7) Slide the inner section over the outer section and secure by tightening the gear clamp.
- 8) Stretch the air intake flex to the desired length and slide over the air intake collar. Seal the connection with the aluminum tape and secure using air intake clamp. Beaded end of the air intake clamp should go first over the air intake collar.
- 9) Seal the gap between the vent pipe and the inner section with silicone sealant.



**Figure 14**

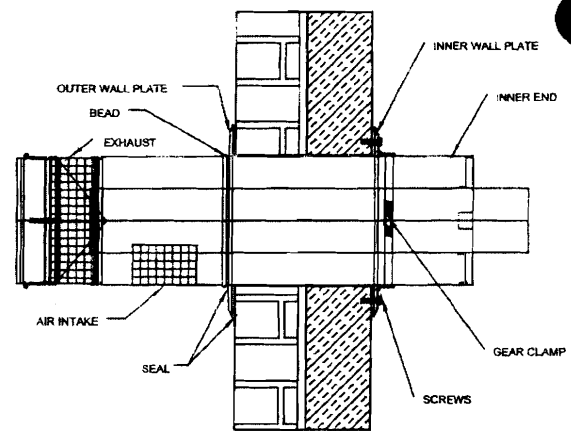
8) Stretch the air intake flex to the desired length and slide over the air intake collar. Seal the connection with the aluminum tape and secure using air intake clamp. Beaded end of the air intake clamp should go first over the air intake collar.

9) Seal the gap between the vent pipe and the inner section with silicone sealant.

### Connections To Appliance

Using **Figure 18**, **Figure 19**, **Figure 20** and **Figure 21** complete the following steps:

- 1) Connect the appliance adapter to the vent pipe as per joint assembly.
- 2) Apply sealant around the appliance flue collar.
- 3) Slide the appliance adapter over the appliance flue collar.
- 4) Tighten the gear clamp of the appliance adapter around the flue collar.
- 5) Seal the seam in the adapter with sealant.
- 6) Install burner air adapter.
- 7) Slide the end of air intake flex over the burner air adapter. Seal the connection with aluminum tape and secure using air intake clamp. Beaded end of the air intake clamp should go first over burner air adapter.
- 8) A vacuum relief device may need to be installed if required by the appliance manufacturers' installation instructions.



**Figure 15**

## Maintenance

PNA and Flex-L International Inc recommends the entire heating system, including the appliance and vent, to be checked annually by a qualified heating professional.

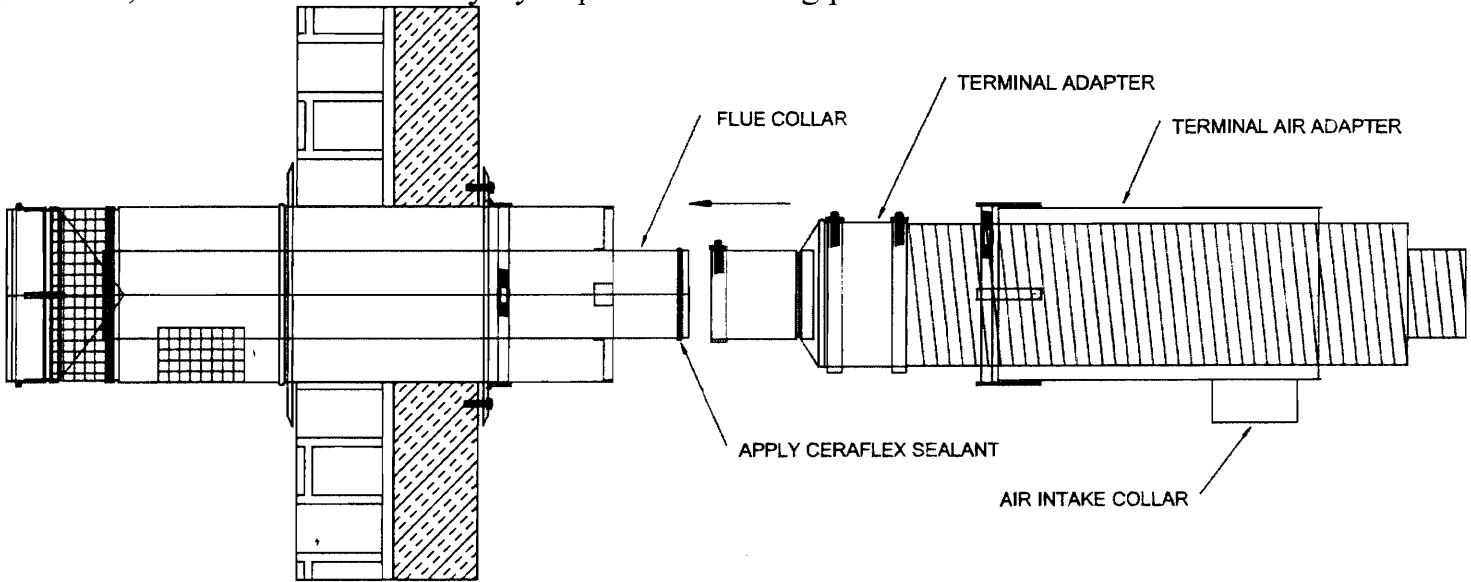


Figure 16

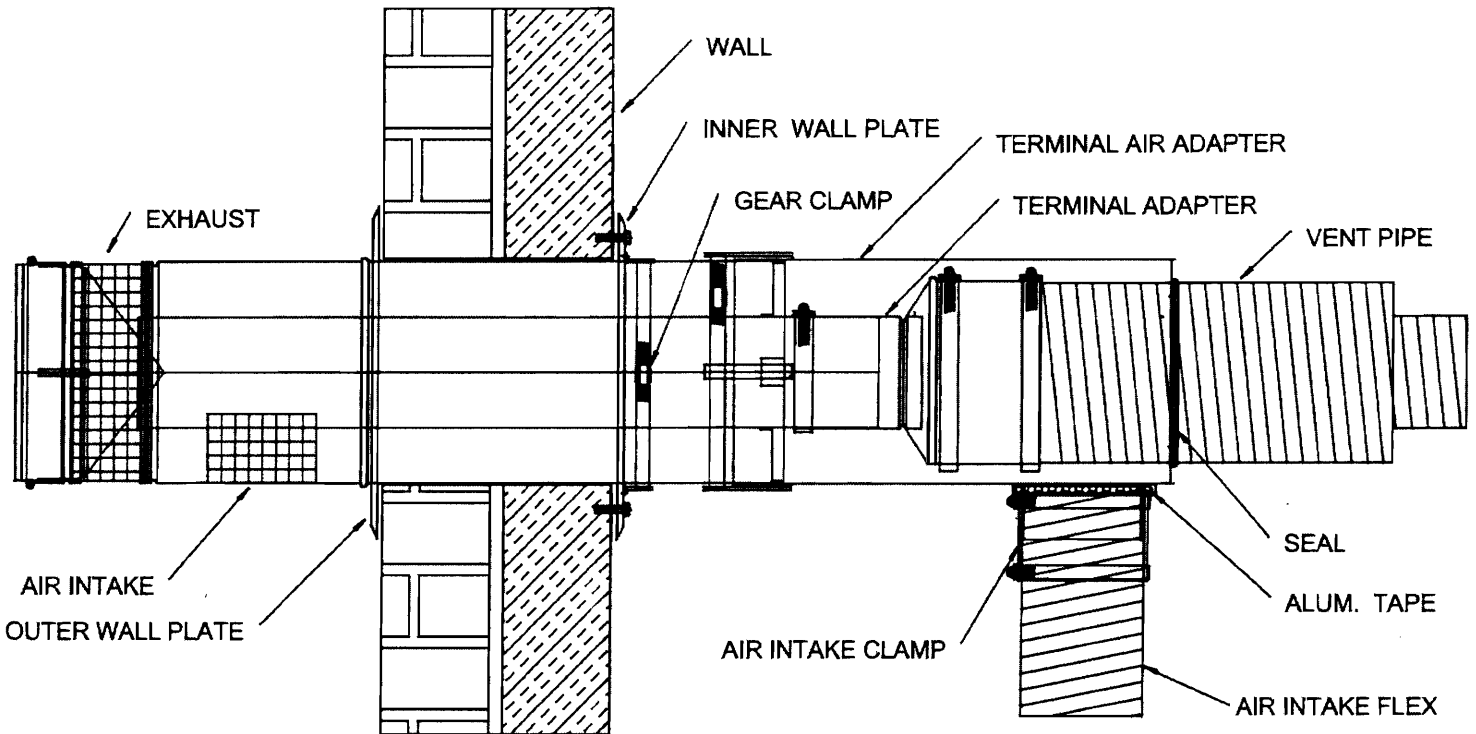


Figure 17

**THE CERAFLEX VENT TERMINAL IS 0" CLEARANCE TO COMBUSTIBLES  
THE CERAFLEX INSULATED VENT PIPE IS 1" CLEARANCE TO COMBUSTIBLES**

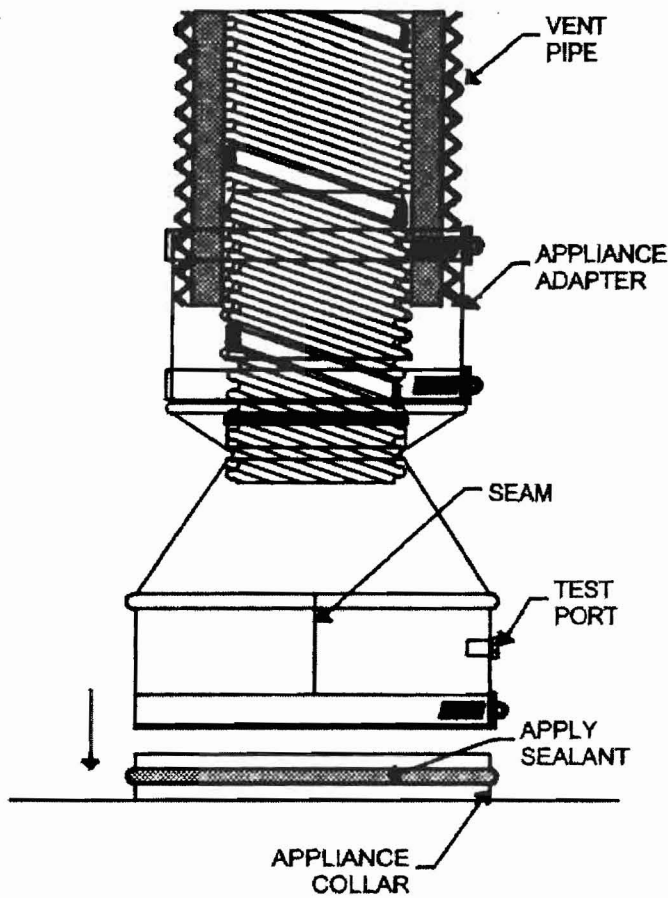


Figure 18

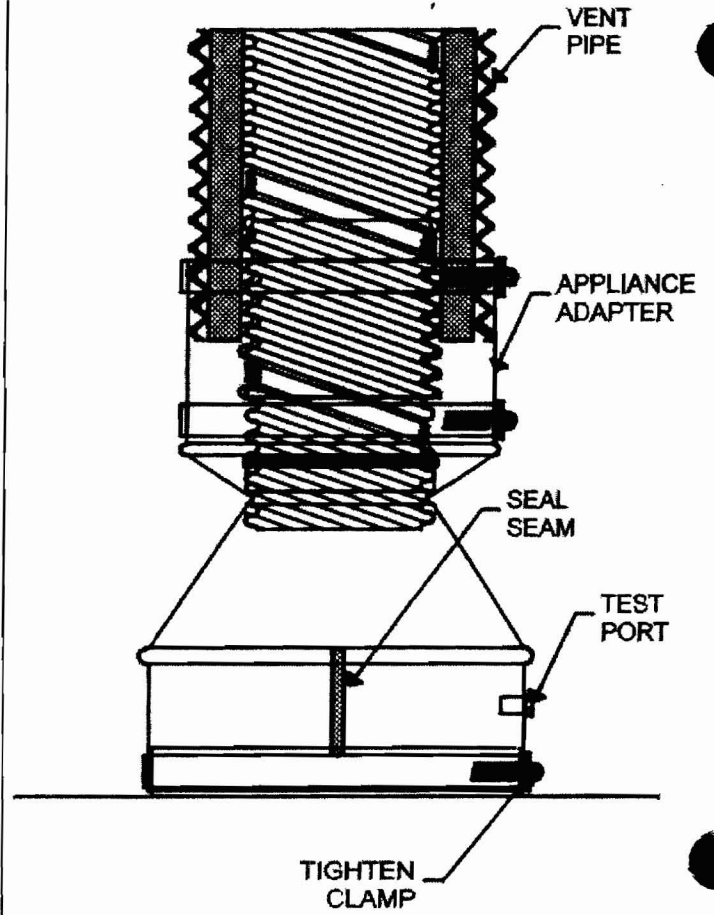


Figure 19

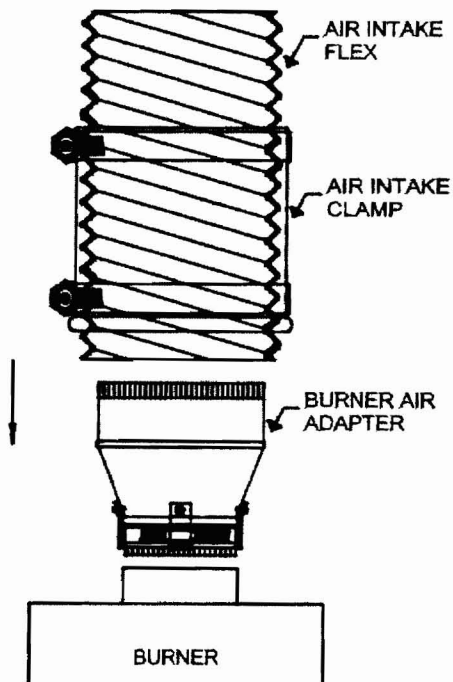


Figure 20

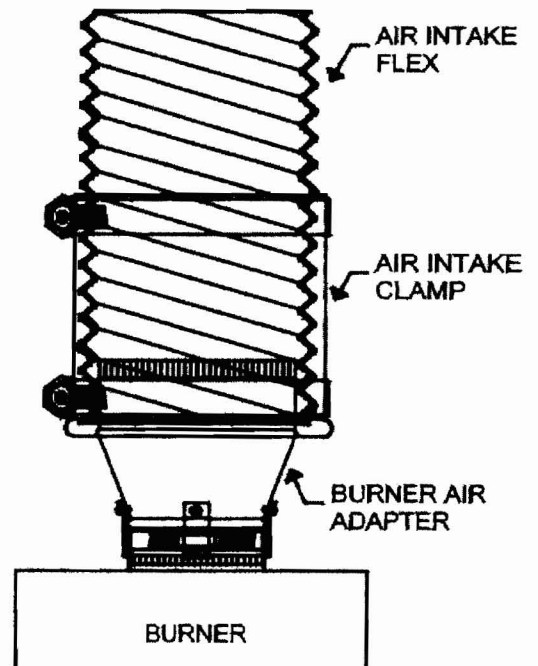


Figure 21