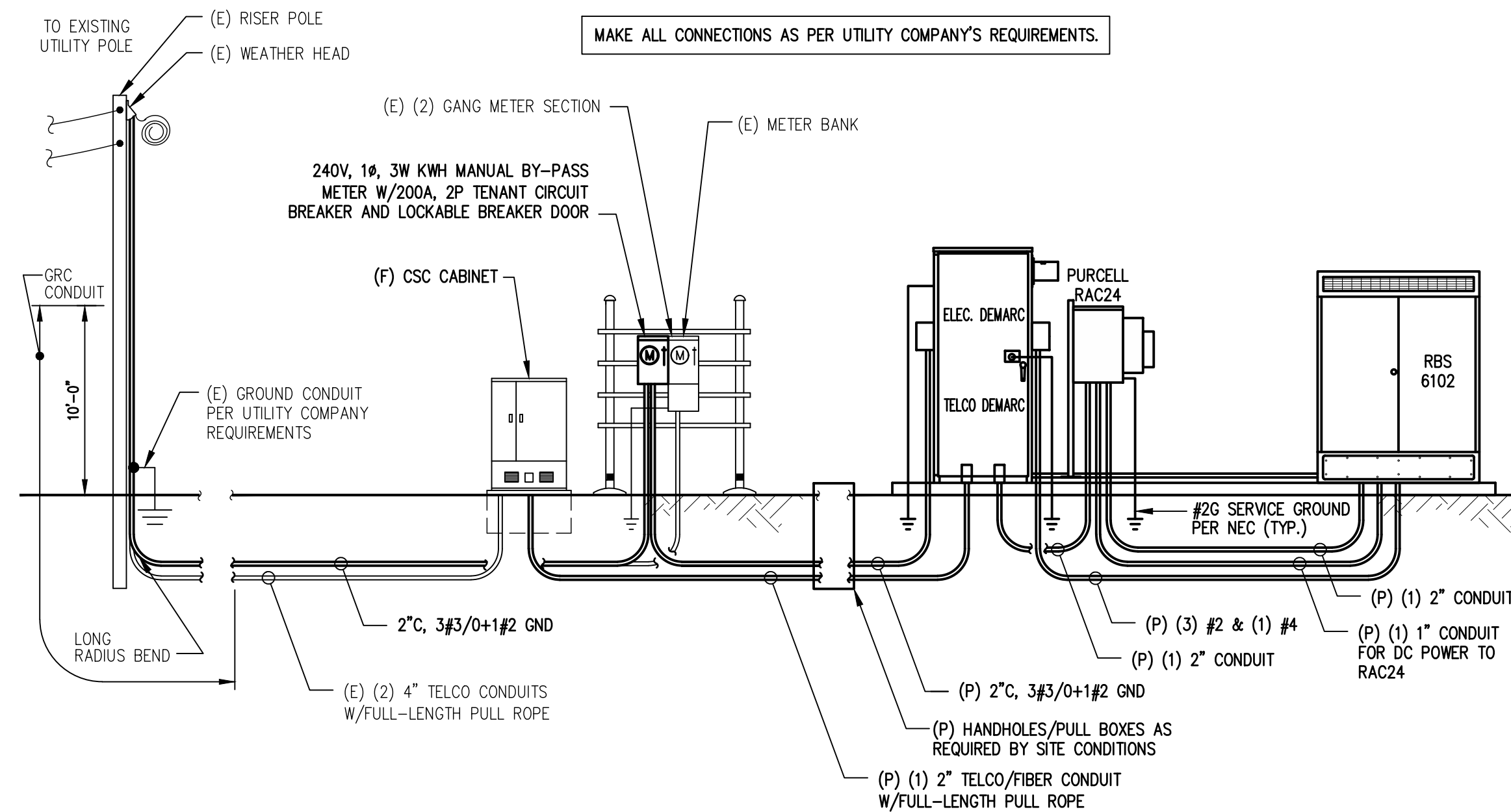


ONE LINE DIAGRAM

SCALE: NOT TO SCALE

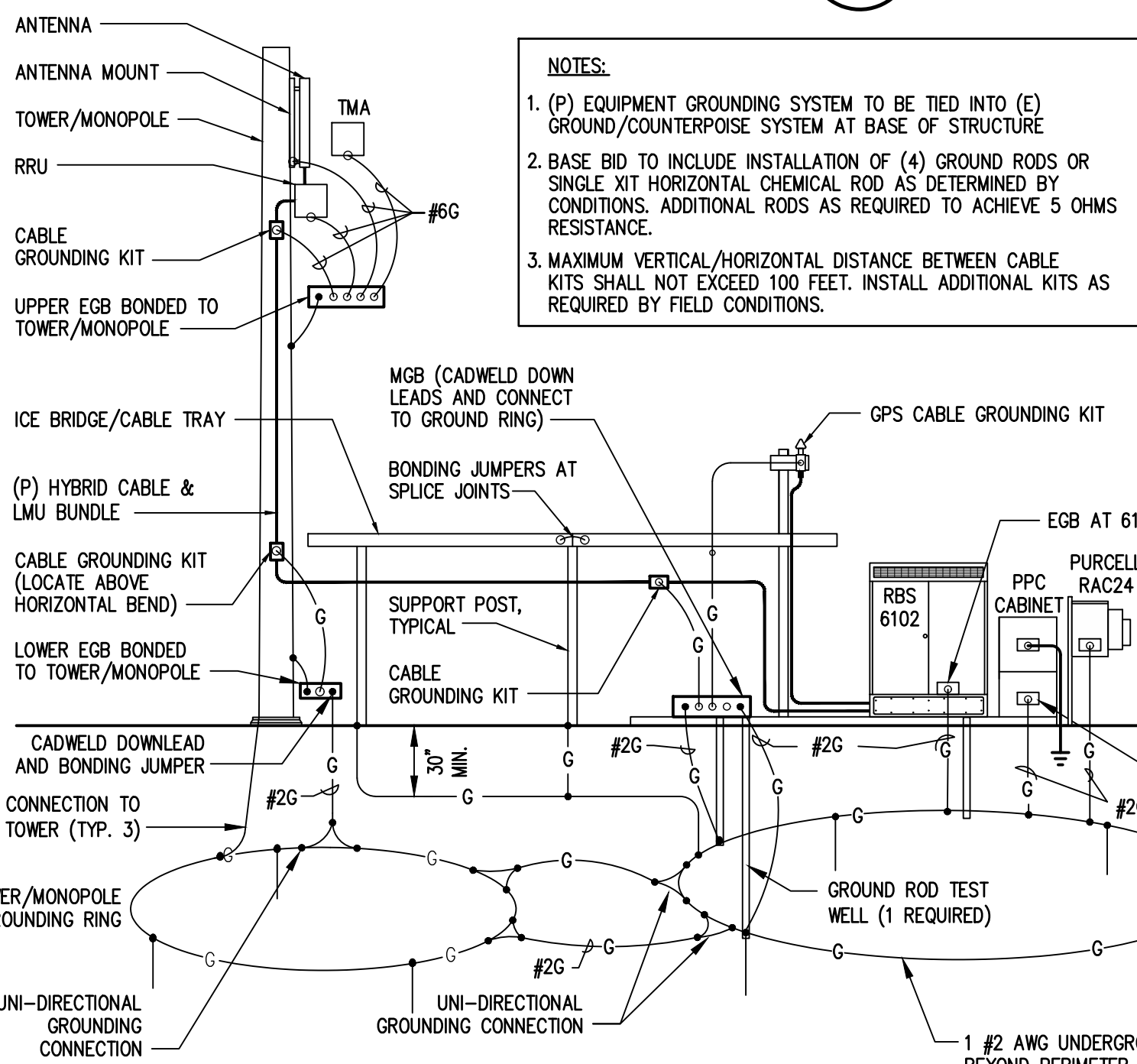
1
E-1



POWER/TELCO RISER DIAGRAM

SCALE: NOT TO SCALE

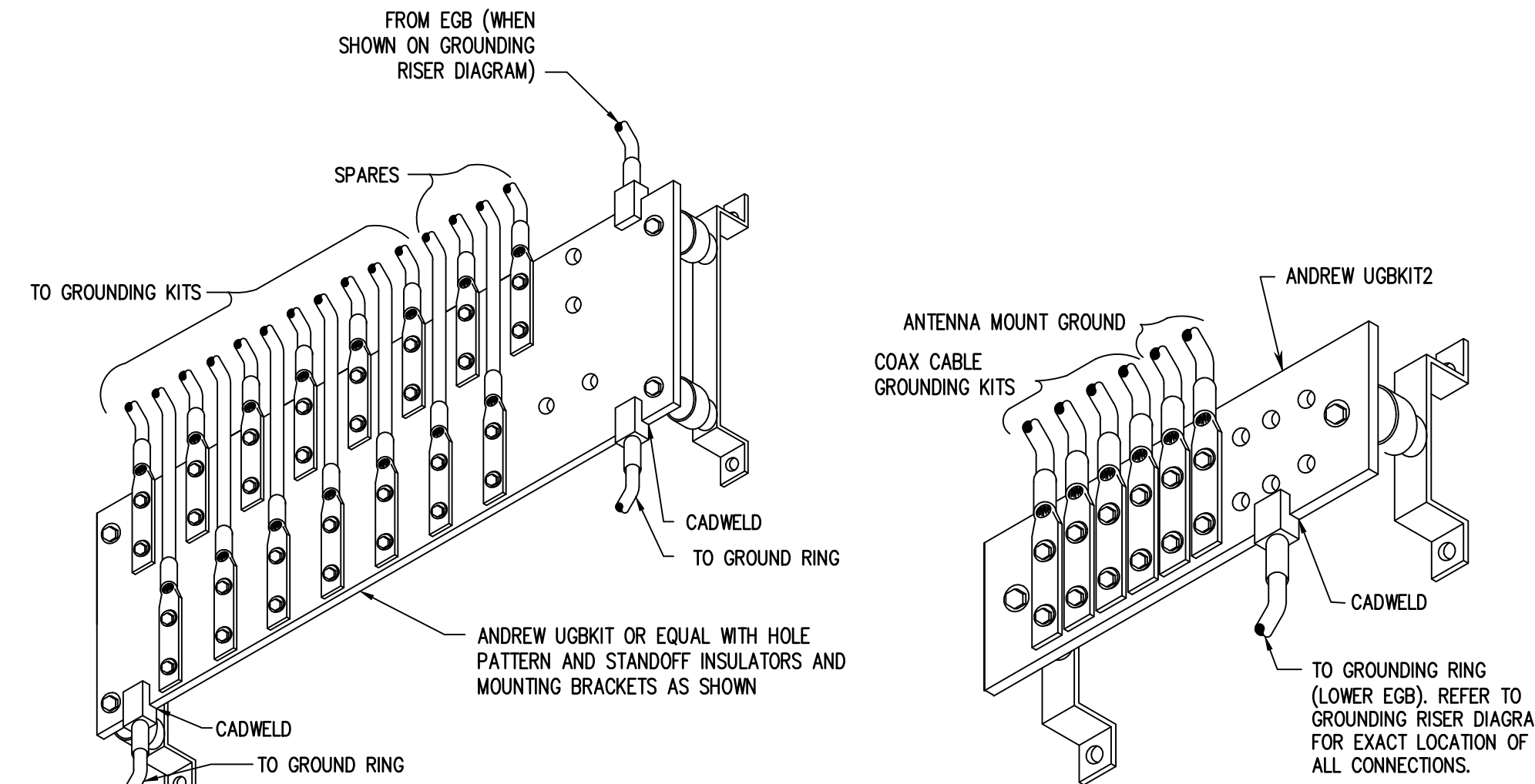
2
E-1



GROUNDING RISER DIAGRAM

SCALE: NOT TO SCALE

3
E-1



MASTER GROUND BAR (MGB)

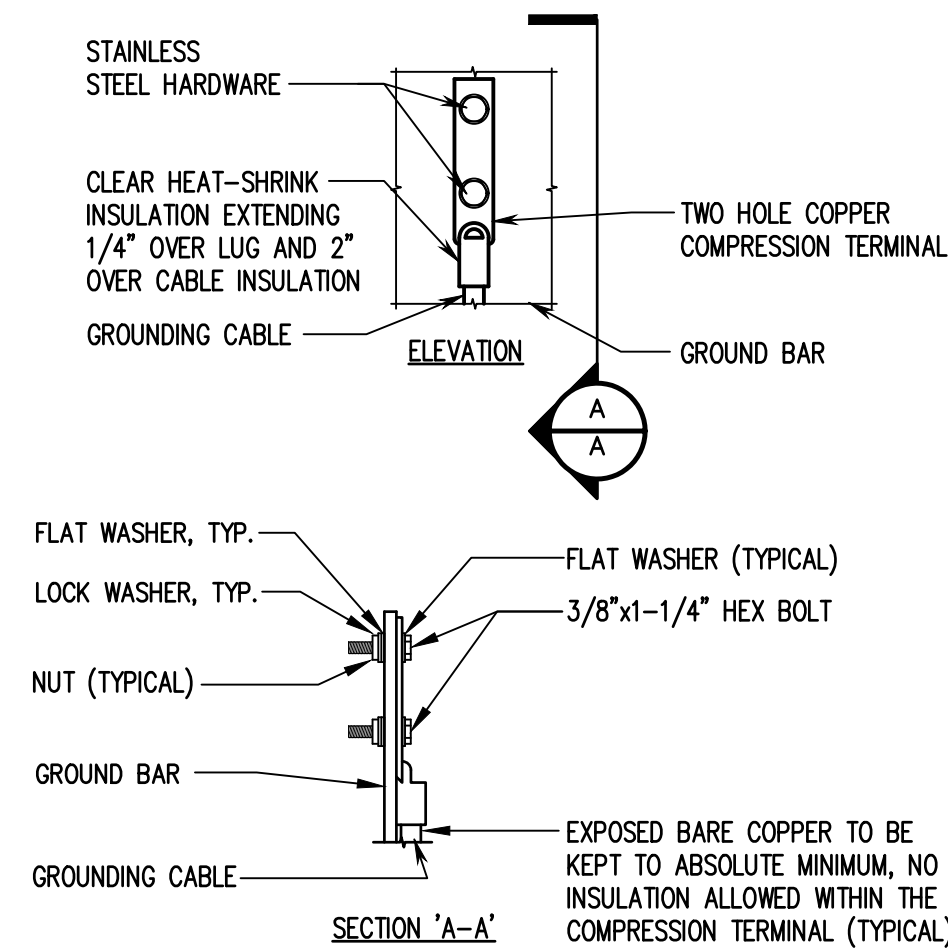
SCALE: NOT TO SCALE

4
E-1

GROUND BAR (EGB)

SCALE: NOT TO SCALE

5
E-1



TYPICAL GROUND BAR CONNECTIONS DETAIL

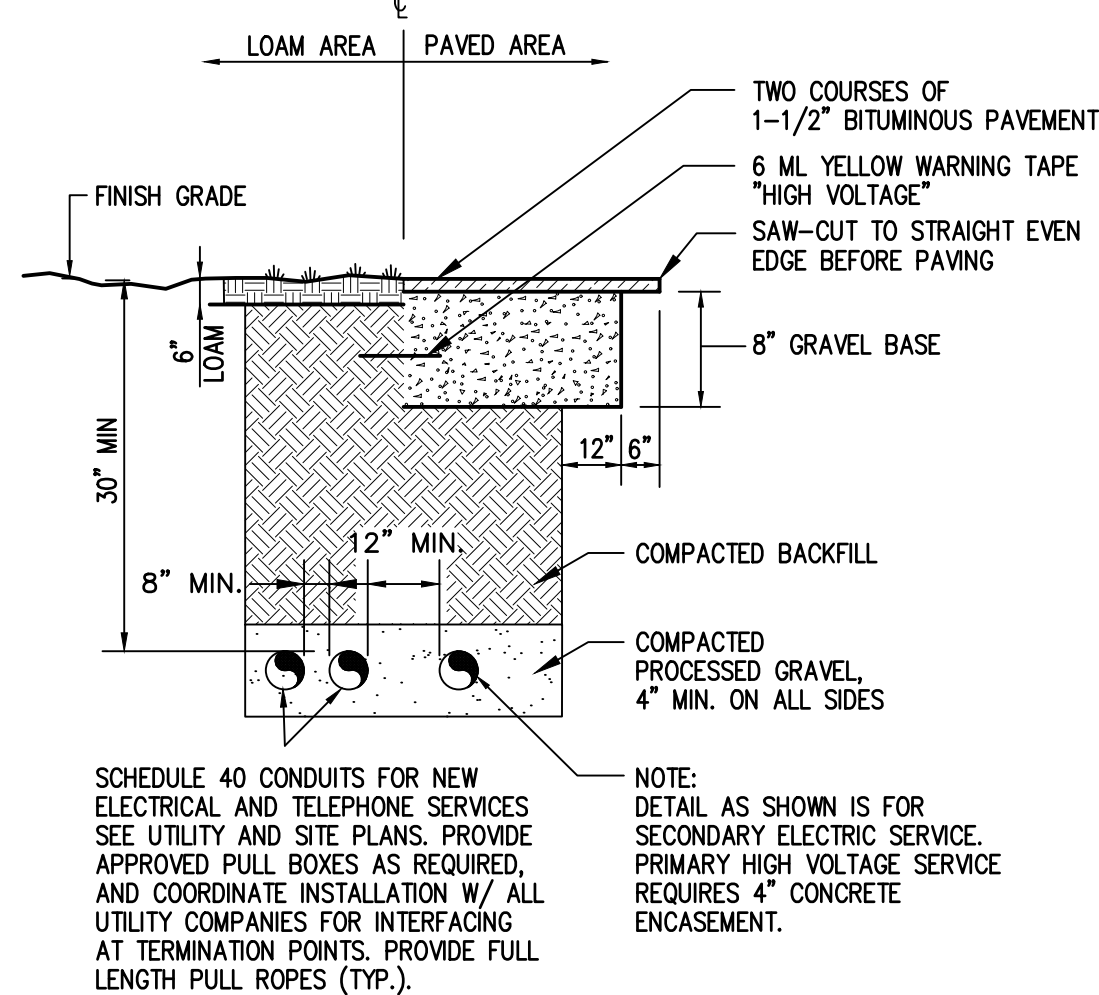
SCALE: NOT TO SCALE

6
E-1

HYBRID CABLE CONNECTION AND GROUNDING DETAIL

SCALE: NOT TO SCALE

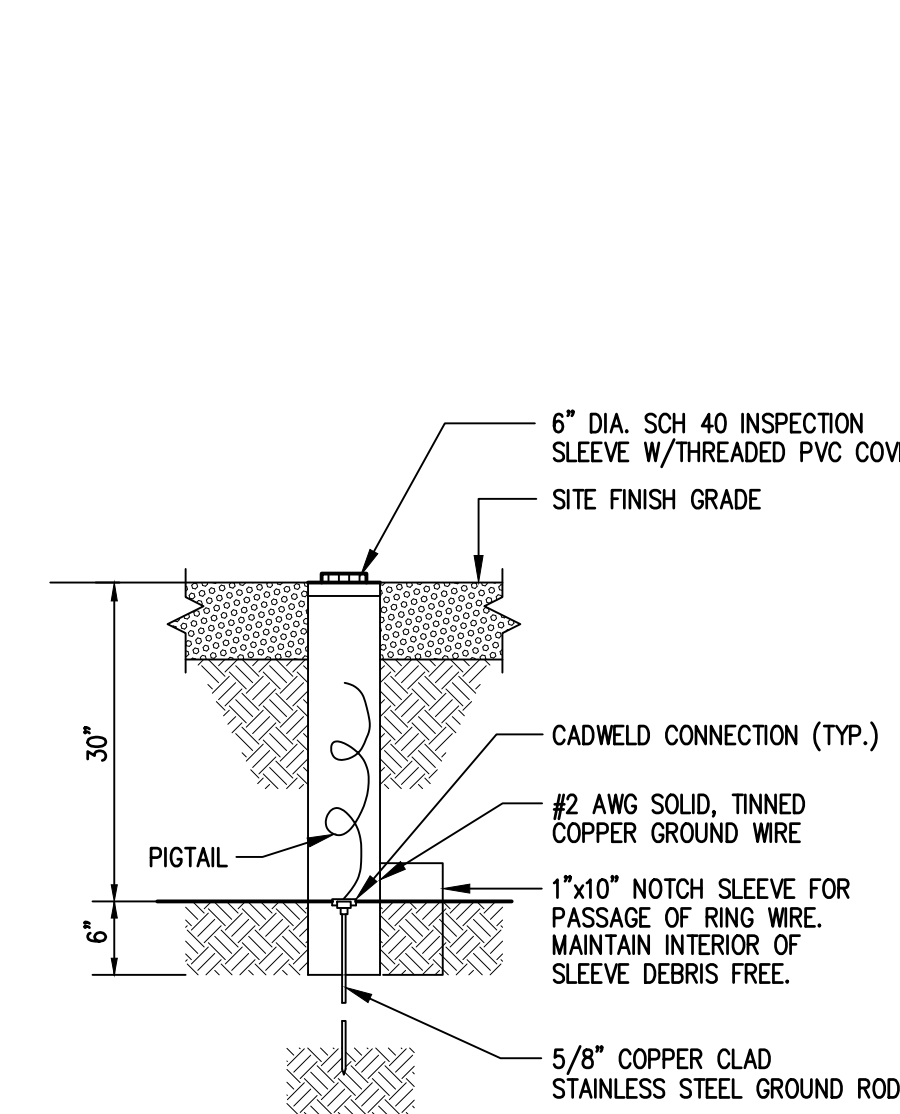
7
E-1



BURIED CONDUIT DETAIL

SCALE: NOT TO SCALE

8
E-1



GROUND ROD TEST WELL DETAIL

SCALE: NOT TO SCALE

9
E-1

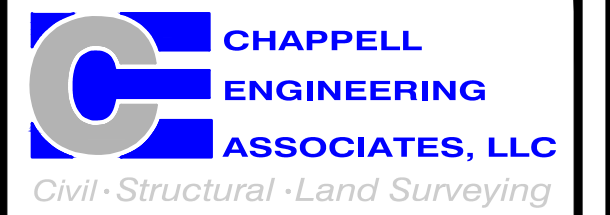
ELECTRICAL LEGEND

	NEW PANEL BOARD, SURFACE MOUNTED		MECHANICAL CONNECTION
	EXISTING PANEL BOARD, SURFACE MOUNTED		CADWELD CONNECTION
	DRY TYPE TRANSFORMER		EXPOSED WIRING
	METER		COAXIAL CABLE
	CIRCUIT BREAKER		5/8"x8" COPPER CLAD STAINLESS STEEL GROUND ROD
	NON-FUSIBLE DISCONNECT SWITCH, MOUNTED 54" A.F.F.		EXOTHERMIC (CADWELD) OR MECHANICAL (COMPRESSION TYPE) CONNECTION
	FUSIBLE DISCONNECT SWITCH, MOUNTED 54" A.F.F.		POWER PROTECTION CABINET
	TRANSIENT VOLTAGE SURGE SUPPRESSOR WITH BUILT-IN FUSES, SURFACE MOUNTED		
	DUPLEX OUTLET, SURFACE MOUNTED, 20 AMPS, 125 VOLTS, SINGLE PHASE		
	JUNCTION BOX, SURFACE MOUNTED 18" A.F.F.		
	EXPOSED WIRING		
	HOME RUNS, MINIMUM 2#10 + 1#10G IN 3/4" CONDUIT U.O.N.		
	A.F.F. ABOVE FINISHED FLOOR		
	U.O.N. UNLESS OTHERWISE NOTED		
	WP WEATHERPROOF		
	GFI GROUND FAULT INTERRUPTER		
	A AMPERE		
	V VOLT		
	KWH KILOWATT - HOUR		
	C CONDUIT		
	GRC GALVANIZED RIGID CONDUIT		
	G GROUND		
	GROUND		
	MGB MASTER GROUND BAR		
	EGB EQUIPMENT GROUND BAR		
	G GROUND COPPER WIRE, SIZE AS NOTED		
	EXPOSED WIRING		
	COAXIAL CABLE		
	5/8"x8" COPPER CLAD STAINLESS STEEL GROUND ROD		
	EXOTHERMIC (CADWELD) OR MECHANICAL (COMPRESSION TYPE) CONNECTION		
	PPC POWER PROTECTION CABINET		

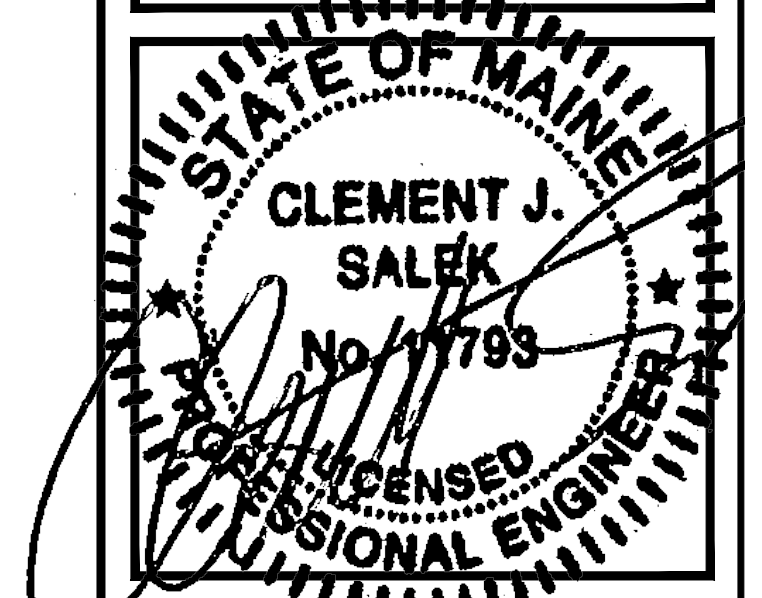
ELECTRICAL AND GROUNDING NOTES

- ALL ELECTRICAL WORK SHALL CONFORM TO THE REQUIREMENTS OF THE NATIONAL ELECTRICAL CODE (NEC) AS WELL AS APPLICABLE STATE AND LOCAL CODES.
- ALL ELECTRICAL ITEMS SHALL BE U.L. APPROVED OR LISTED AND PROCURED PER SPECIFICATION REQUIREMENTS.
- THE ELECTRICAL WORK INCLUDES ALL LABOR AND MATERIAL DESCRIBED BY DRAWINGS AND SPECIFICATION INCLUDING INCIDENTAL WORK TO PROVIDE COMPLETE OPERATING AND APPROVED ELECTRICAL SYSTEM.
- GENERAL CONTRACTOR SHALL PAY FEES FOR PERMITS, AND IS RESPONSIBLE FOR OBTAINING SAID PERMITS AND COORDINATION OF INSPECTIONS.
- ELECTRICAL AND TELCO WIRING OUTSIDE A BUILDING AND EXPOSED TO WEATHER SHALL BE IN WATER TIGHT GALVANIZED RIGID STEEL CONDUITS OR SCHEDULE 80 PVC (AS PERMITTED BY CODE) AND WHERE REQUIRED IN LIQUID TIGHT FLEXIBLE METAL OR NONMETALLIC CONDUITS.
- BURIED CONDUIT SHALL BE SCHEDULE 40 PVC.
- ELECTRICAL WIRING SHALL BE COPPER WITH TYPE XHHW, THIN, OR THININSULATION.
- RUN ELECTRICAL CONDUIT OR CABLE BETWEEN ELECTRICAL UTILITY DEMARCATION POINT AND PROJECT OWNER CELL SITE PPC AS INDICATED ON THIS DRAWING. PROVIDE FULL LENGTH PULL ROPE. COORDINATE INSTALLATION WITH UTILITY COMPANY.
- RUN TELCO CONDUIT OR CABLE BETWEEN TELEPHONE UTILITY DEMARCATION POINT AND PROJECT OWNER CELL SITE TELCO CABINET AND BTS CABINET AS INDICATED ON THIS DRAWING PROVIDE FULL LENGTH PULL ROPE IN INSTALLED TELCO CONDUIT. PROVIDE GREENLEE CONDUIT MEASURING TAPE AT EACH END.
- WHERE CONDUIT BETWEEN BTS AND PROJECT OWNER CELL SITE PPC AND BETWEEN BTS AND PROJECT OWNER CELL SITE TELCO SERVICE CABINET ARE UNDERGROUND USE PVC, SCHEDULE 40 CONDUIT. ABOVE THE GROUND PORTION OF THESE CONDUITS SHALL BE PVC CONDUIT.
- ALL EQUIPMENT LOCATED OUTSIDE SHALL HAVE NEMA 3R ENCLOSURE.
- PPC SUPPLIED BY PROJECT OWNER.
- GROUNDING SHALL COMPLY WITH NEC ART. 250. ADDITIONALLY, GROUNDING, BONDING AND LIGHTNING PROTECTION SHALL BE DONE IN ACCORDANCE WITH "T-MOBILE BTS SITE GROUNDING STANDARDS".
- GROUND COAXIAL CABLE SHIELDS MINIMUM AT BOTH ENDS USING MANUFACTURERS COAX CABLE GROUNDING KITS SUPPLIED BY PROJECT OWNER.
- USE #6 COPPER STRANDED WIRE WITH GREEN COLOR INSULATION FOR ABOVE GRADE GROUNDING (UNLESS OTHERWISE SPECIFIED) AND #2 SOLID TINNED BARE COPPER WIRE FOR BELOW GRADE GROUNDING AS INDICATED ON THE DRAWING.
- ALL GROUND CONNECTIONS TO BE BURNDY HYGROUND COMPRESSION TYPE CONNECTORS OR CADWELD EXOTHERMIC WELD. DO NOT ALLOW BARE COPPER WIRE TO BE IN CONTACT WITH GALVANIZED STEEL.
- ROUTE GROUNDING CONDUCTORS ALONG THE SHORTEST AND STRAIGHTEST PATH POSSIBLE, EXCEPT AS OTHERWISE INDICATED. GROUNDING LEADS SHOULD NEVER BE BENT AT RIGHT ANGLE. ALWAYS MAKE AT LEAST 12" RADIUS BENDS. #6 WIRE CAN BE BENT AT 6" RADIUS WHEN NECESSARY. BOND ANY METAL OBJECTS WITHIN 6 FEET OF PROJECT OWNER EQUIPMENT OR CABINET TO MASTER GROUND BAR OR GROUNDING RING.
- CONNECTIONS TO GROUND BARS SHALL BE MADE WITH TWO HOLE COMPRESSION TYPE COPPER LUGS. APPLY OXIDE INHIBITING COMPOUND TO ALL LOCATIONS.
- APPLY OXIDE INHIBITING COMPOUND TO ALL COMPRESSION TYPE GROUND CONNECTIONS.
- CONTRACTOR SHALL PROVIDE AND INSTALL OMNI DIRECTIONAL ELECTRONIC MARKER SYSTEM (EMS) BALLS OVER EACH GROUND ROD AND BONDING POINT BETWEEN EXISTING TOWER/MONOPOLE GROUNDING RING AND EQUIPMENT GROUNDING RING.
- CONTRACTOR SHALL TEST COMPLETED GROUND SYSTEM AND RECORD RESULTS FOR PROJECT CLOSE-OUT DOCUMENTATION. 5 OHMS MINIMUM RESISTANCE REQUIRED.
- CONTRACTOR SHALL CONDUCT ANTENNA, COAX, AND LNA RETURN-LOSS AND DISTANCE-TO-FAULT MEASUREMENTS (SWEEP TESTS) AND RECORD RESULTS FOR PROJECT CLOSE-OUT.

T-MOBILE NORTHEAST LLC
15 COMMERCE WAY, SUITE B
NORTON, MA 02766
OFFICE: (508) 286-2700
FAX: (508) 286-2893



R.K. EXECUTIVE CENTRE
201 BOSTON POST ROAD WEST
SUITE 101
MARLBOROUGH, MA 01752
(508)481-7400
www.chappellengineering.com



APPROVALS

LANDLORD _____
LEASING _____
R.F. _____
ZONING _____
CONSTRUCTION _____
A/E _____

PROJECT NO: 4PB-1288-A

DRAWN BY: CMC

CHECKED BY: JMF

SUBMITTALS

3	08/10/17	CONSTRUCTION FINAL
2	05/16/17	CONSTRUCTION FINAL
1	03/15/17	CONSTRUCTION
0	03/30/15	ISSUED FOR REVIEW

THIS DOCUMENT IS THE CREATION, DESIGN, PROPERTY AND COPYRIGHTED WORK OF T-MOBILE NORTHEAST, LLC. ANY DUPLICATION OR USE WITHOUT EXPRESS WRITTEN CONSENT IS STRICTLY PROHIBITED. DUPLICATION AND USE BY GOVERNMENT AGENCIES FOR THE PURPOSES OF CONDUCTING THEIR LAWFULLY AUTHORIZED REGULATORY AND ADMINISTRATIVE FUNCTIONS IS SPECIFICALLY ALLOWED.

4PB-1288-A

WGME INC.

81 NORTHPORT DRIVE
PORTLAND, ME 04103

SHEET TITLE

ELECTRICAL & GROUNDING
NOTES, RISERS & DETAILS

SHEET NUMBER

E-1