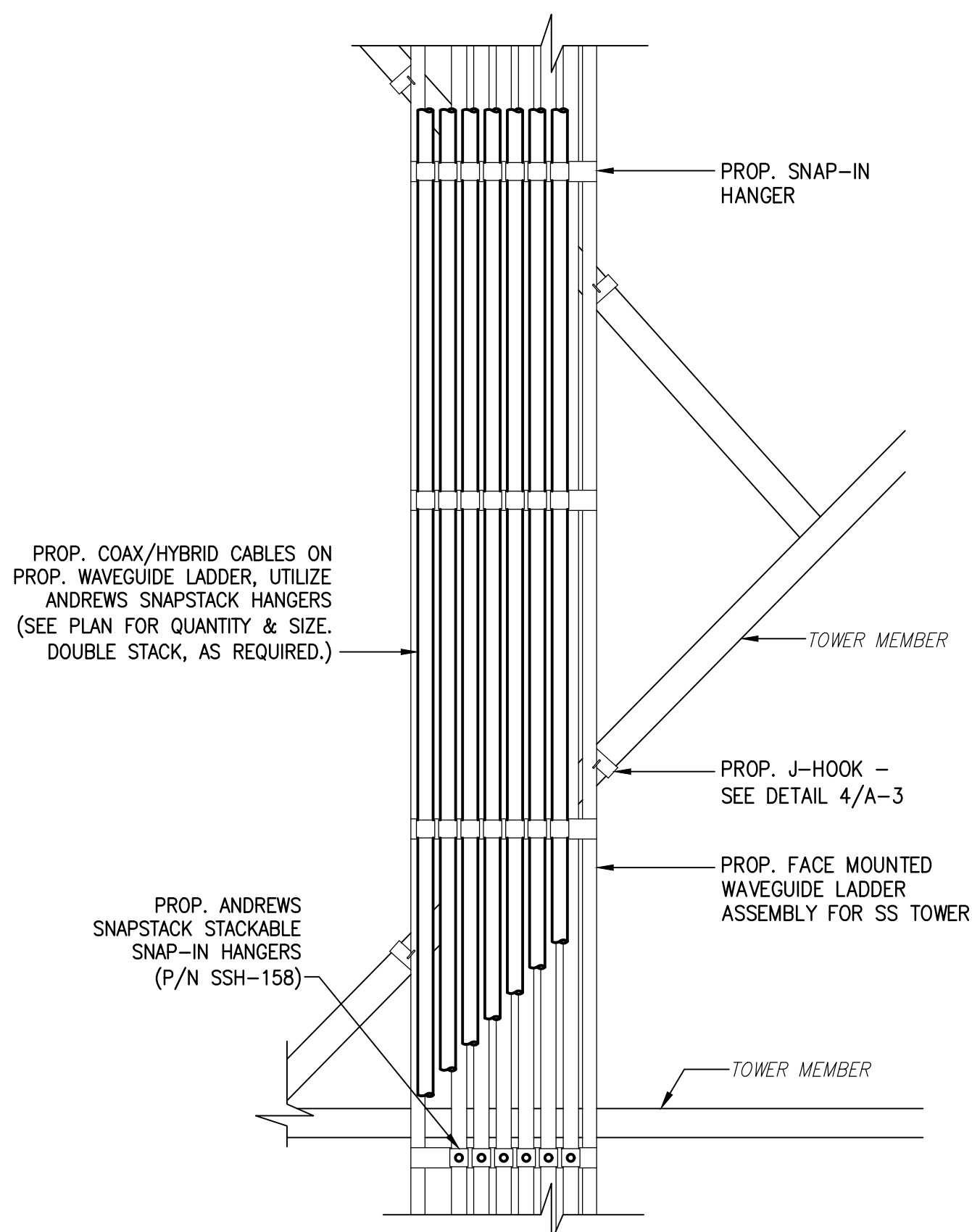
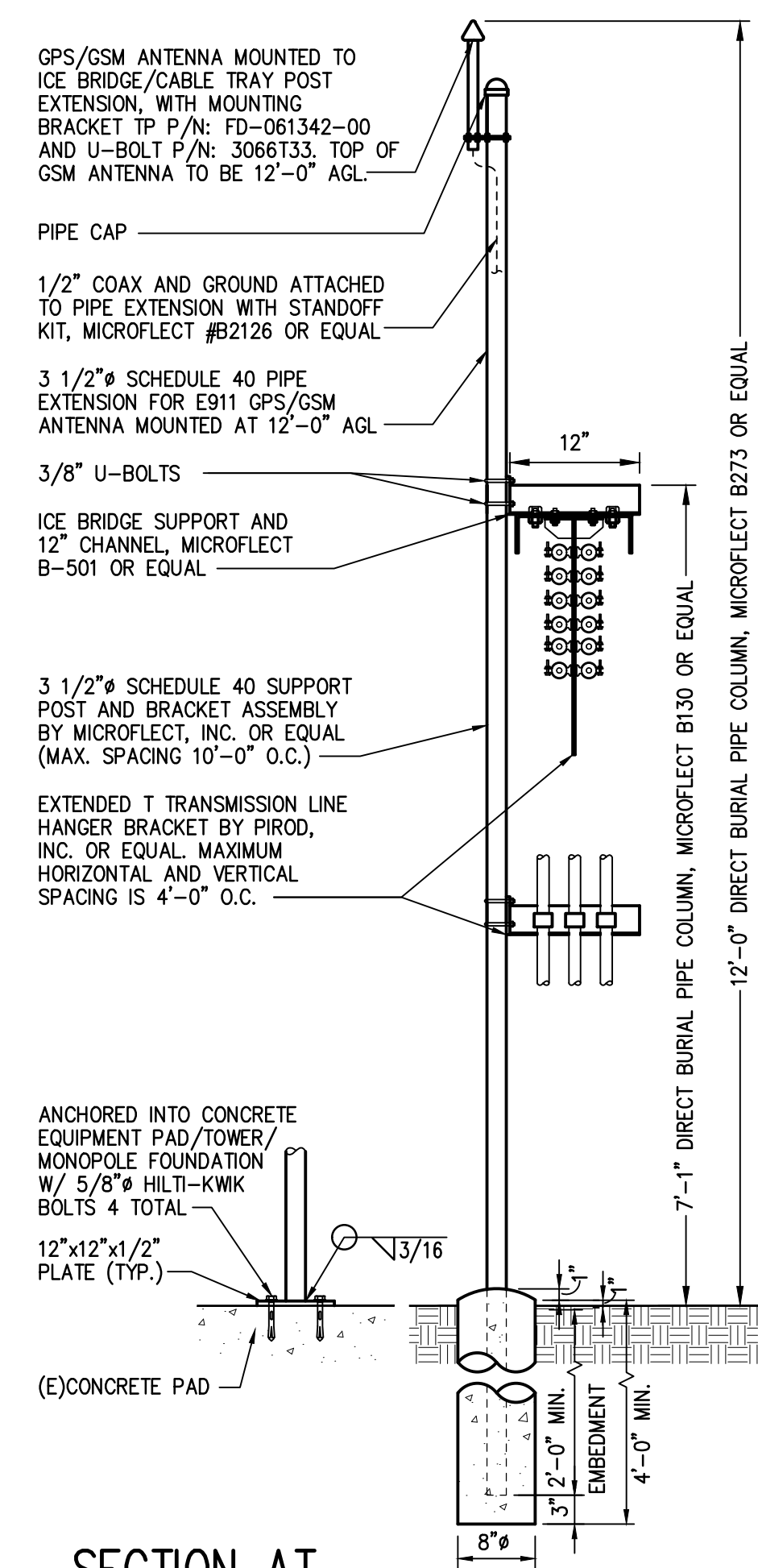


1. THE GPS ANTENNA MOUNT IS DESIGNED TO FASTEN TO A STANDARD 1"-1 1/2" DIAMETER GALVANIZED STEEL OR STAINLESS STEEL PIPE. THE PIPE MUST NOT BE THREADED AT THE ANTENNA MOUNT END. THE PIPE SHALL BE CUT TO THE REQUIRED LENGTH USING A HAND OR ROTARY PIPE CUTTER TO ASSURE A SMOOTH AND PERPENDICULAR CUT. THE CUT PIPE END SHALL BE DEBURRED AND SMOOTH IN ORDER TO SEAL AGAINST THE NEOPRENE GASKET ATTACHED TO THE ANTENNA MOUNT.
2. THE MOUNTING PLATE SHALL BE FASTENED AS SHOWN AND ATTACHED TO THE APPROPRIATE SUPPORT STRUCTURE USING U-BOLTS. THE SUPPORT PIPE SHALL THEN BE ATTACHED TO THE MOUNTING PLATE USING THE OVERSIZE U-BOLTS PROVIDED TO ALLOW ADJUSTMENT. IT IS CRITICAL THAT THE GPS ANTENNA IS MOUNTED WITHIN 2 DEGREES OF VERTICAL AND THE BASE OF THE ANTENNA IS WITHIN 2 DEGREES OF LEVEL.

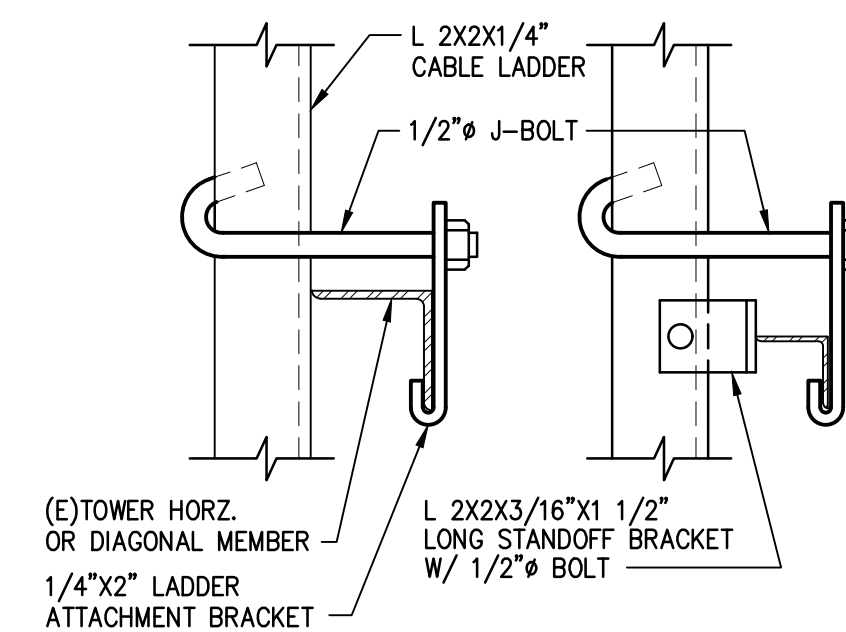
**GPS MOUNTING DETAIL 1**  
SCALE: NTS



**CABLE LADDER DETAIL 3**  
SCALE: 3/4"=1'-0"



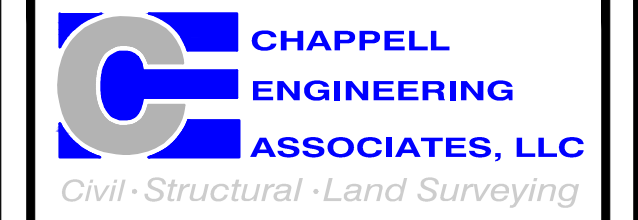
**SECTION AT ICE BRIDGE/CABLE TRAY 2**  
SCALE: 3/4"=1'-0"



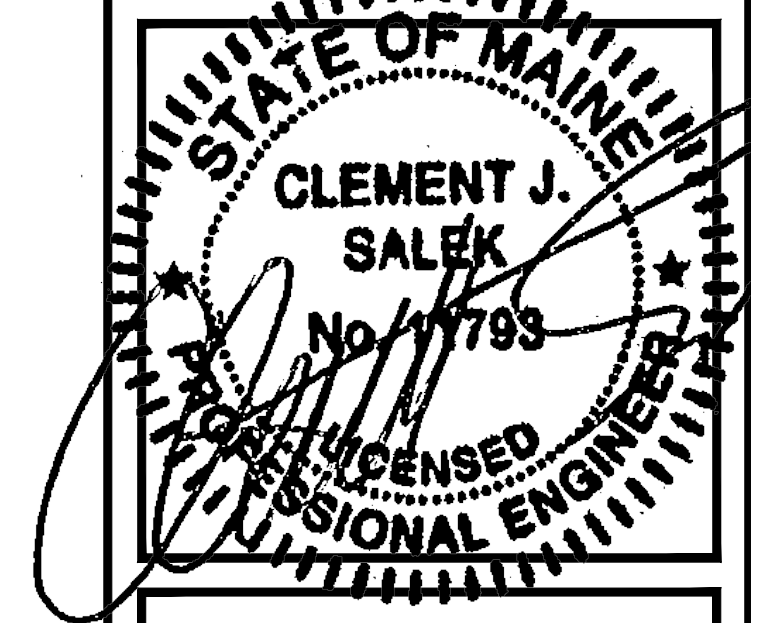
NOTE:  
1. FIELD DRILL 9/16" HOLE IN ANGLE AS REQUIRED.

**"J" HOOK DETAIL 4**  
SCALE: 3"=1'-0"

T-MOBILE NORTHEAST LLC  
15 COMMERCE WAY, SUITE B  
NORTON, MA 02766  
OFFICE: (508) 286-2700  
FAX: (508) 286-2893



R.K. EXECUTIVE CENTRE  
201 BOSTON POST ROAD WEST  
SUITE 101  
MARLBOROUGH, MA 01752  
(508) 481-7400  
www.chappellengineering.com



APPROVALS

LANDLORD \_\_\_\_\_  
LEASING \_\_\_\_\_  
R.F. \_\_\_\_\_  
ZONING \_\_\_\_\_  
CONSTRUCTION \_\_\_\_\_  
A/E \_\_\_\_\_

PROJECT NO: 4PB-1288-A

DRAWN BY: CMC

CHECKED BY: JMF

SUBMITTALS

2	05/16/17	CONSTRUCTION FINAL
1	03/15/17	CONSTRUCTION
0	03/30/15	ISSUED FOR REVIEW

THIS DOCUMENT IS THE CREATION, DESIGN, PROPERTY AND COPYRIGHTED WORK OF T-MOBILE NORTHEAST, LLC. ANY DUPLICATION OR USE WITHOUT EXPRESS WRITTEN CONSENT IS STRICTLY PROHIBITED. DUPLICATION AND USE BY GOVERNMENT AGENCIES FOR THE PURPOSES OF CONDUCTING THEIR LAWFULLY AUTHORIZED REGULATORY AND ADMINISTRATIVE FUNCTIONS IS SPECIFICALLY ALLOWED.

4PB-1288-A

WGME INC.

81 NORTHPORT DRIVE  
PORTLAND, ME 04103

SHEET TITLE

SITE DETAILS

SHEET NUMBER

A-3