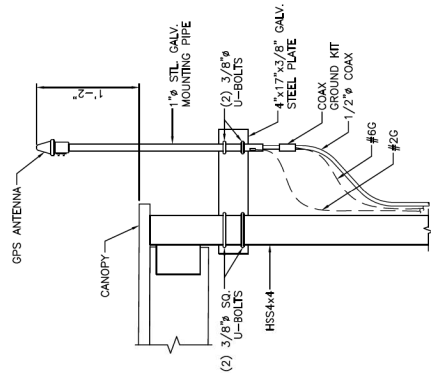


REV	DATE	DESCRIPTION	BY
A	09/28/15	FOR REVIEW	JM
B	03/09/16	REVISED EQUIPMENT	JM
C	07/25/16	REVISED PER SV	JM

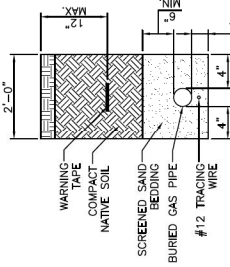
SITE INFO:
SITE NAME:
PORTLAND_10_ME
LOCATION CODE:
361332
SITE ADDRESS:
**81 NORTHPORT DRIVE
PORTLAND, ME 04103
CUMBERLAND COUNTY**

SHEET TITLE:
**CONSTRUCTION
DETAILS**

NEXIUS PROJ. NO.:
VZ11509
CHECKED BY:
KB
CHECKED BY DATE:
03/09/16
SHEET NUMBER:
A-3

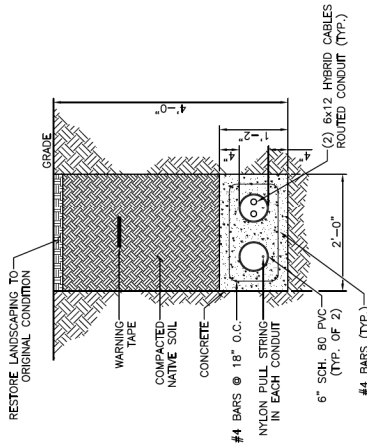


② **GPS MOUNTING DETAIL**
SCALE: N.T.S.

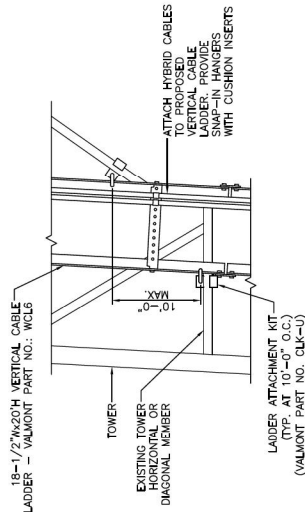


① **CONDUIT TRENCH DETAIL**
SCALE: N.T.S.

ALL EXCAVATING & TRENCHING SHALL BE HAND DUG. 72 HOURS PRIOR TO DIGGING, CONTRACTOR TO NOTIFY ALL UTILITY COMPANIES TO LOCATE ALL UNDERGROUND UTILITIES.

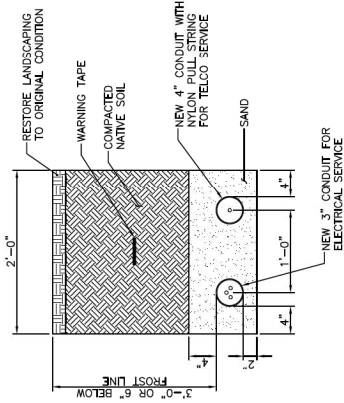


④ **VERTICAL CABLE LADDER DETAIL**
SCALE: N.T.S.

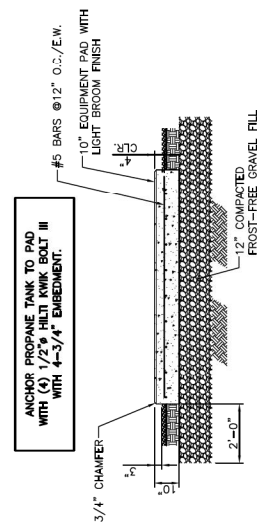
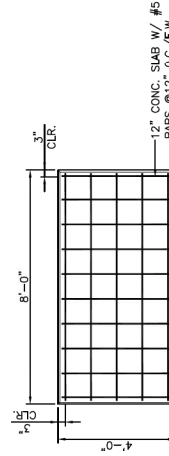


⑤ **GAS PIPING TRENCH DETAIL**
SCALE: N.T.S.

- A. MINIMUM OF 1'-0" VERTICAL CLEARANCE & 3'-0" HORIZONTAL CLEARANCE MUST BE MAINTAINED BETWEEN GAS LINE & ALL OTHER STRUCTURES
- MINIMUM COVER OVER THE PIPE SHALL BE MEASURED AS FOLLOWS:
 - IN THE TRAVEL LANE PORTION OF THE ROADWAY MINIMUM COVER SHALL BE 30" FROM THE TOP OF THE PIPE TO THE TOP OF THE TRENCH USING THE SHALLOW SIDE MEASUREMENT.
 - OFF THE TRAVELED PORTION WHEN THE SECTION IS SET LOWER ELEVATION THAN THE ROADWAY MINIMUM COVER SHALL BE 30" FROM THE TOP OF THE PIPE TO THE TOP OF THE TRENCH USING THE SHALLOW SIDE FOR MEASUREMENT.
- MINIMUM COVER OF SERVICE LINES IN PRIVATE PROPERLY SHALL BE 18" WHEN OUTSIDE PAVED AREAS, I.E. PARKING LOT.
- THE BOTTOM OF THE TRENCH MUST BE FREE OF ROCKS, DEBRIS OR WATER THAT COULD DAMAGE THE PIPE OR ITS COATING.
- PRIOR TO LAYING PIPE, A MIN. OF 3" OF SCREENED SAND MUST BE PLACED IN THE BOTTOM OF THE TRENCH. (SCREENED SAND SHOULD BE COMPARABLE TO MASON SAND).
- THE FIRST LAYER OF PIPE PROTECTION MUST BE A MINIMUM OF 4" OF SAND ON THE SIDES & 6" OF SAND ON THE TOP.



③ **UTILITY TRENCH DETAIL**
SCALE: N.T.S.



⑥ **EQUIPMENT CONCRETE PAD DETAIL**
SCALE: N.T.S.